



US00D808973S

(12) **United States Design Patent**
Chen

(10) **Patent No.:** **US D808,973 S**
(45) **Date of Patent:** **** Jan. 30, 2018**

- (54) **CASE FOR ELECTRONIC DEVICE**
- (71) Applicant: **Jinliang Chen**, Shenzhen (CN)
- (72) Inventor: **Jinliang Chen**, Shenzhen (CN)
- (**) Term: **15 Years**
- (21) Appl. No.: **29/562,019**
- (22) Filed: **Apr. 21, 2016**
- (51) **LOC (11) Cl.** **14-02**
- (52) **U.S. Cl.**
USPC **D14/440**
- (58) **Field of Classification Search**
USPC D14/440, 250, 447; 206/45.23, 320,
206/45.2; 361/679.55; 294/25; 224/218
CPC ... G06F 1/1628; G06F 1/1626; A47B 23/044;
H04B 1/3888
See application file for complete search history.

D749,069 S *	2/2016	Senoff	D14/251
D749,083 S *	2/2016	Senoff	D14/451
D749,559 S *	2/2016	Senoff	D14/251
D757,731 S *	5/2016	Nguyen	D14/440
D759,658 S *	6/2016	Lai	D14/440
D763,853 S *	8/2016	Pearce	D14/440
2011/0031287 A1 *	2/2011	Le Gette	F16M 11/04 224/101
2012/0075799 A1 *	3/2012	Pollex	F16M 11/041 361/679.56

* cited by examiner

Primary Examiner — Cynthia Underwood
(74) *Attorney, Agent, or Firm* — Novoclaims Patent Services LLC; Mei Lin Wong

(57) **CLAIM**

The ornamental design for a case for electronic device, as shown and described.

DESCRIPTION

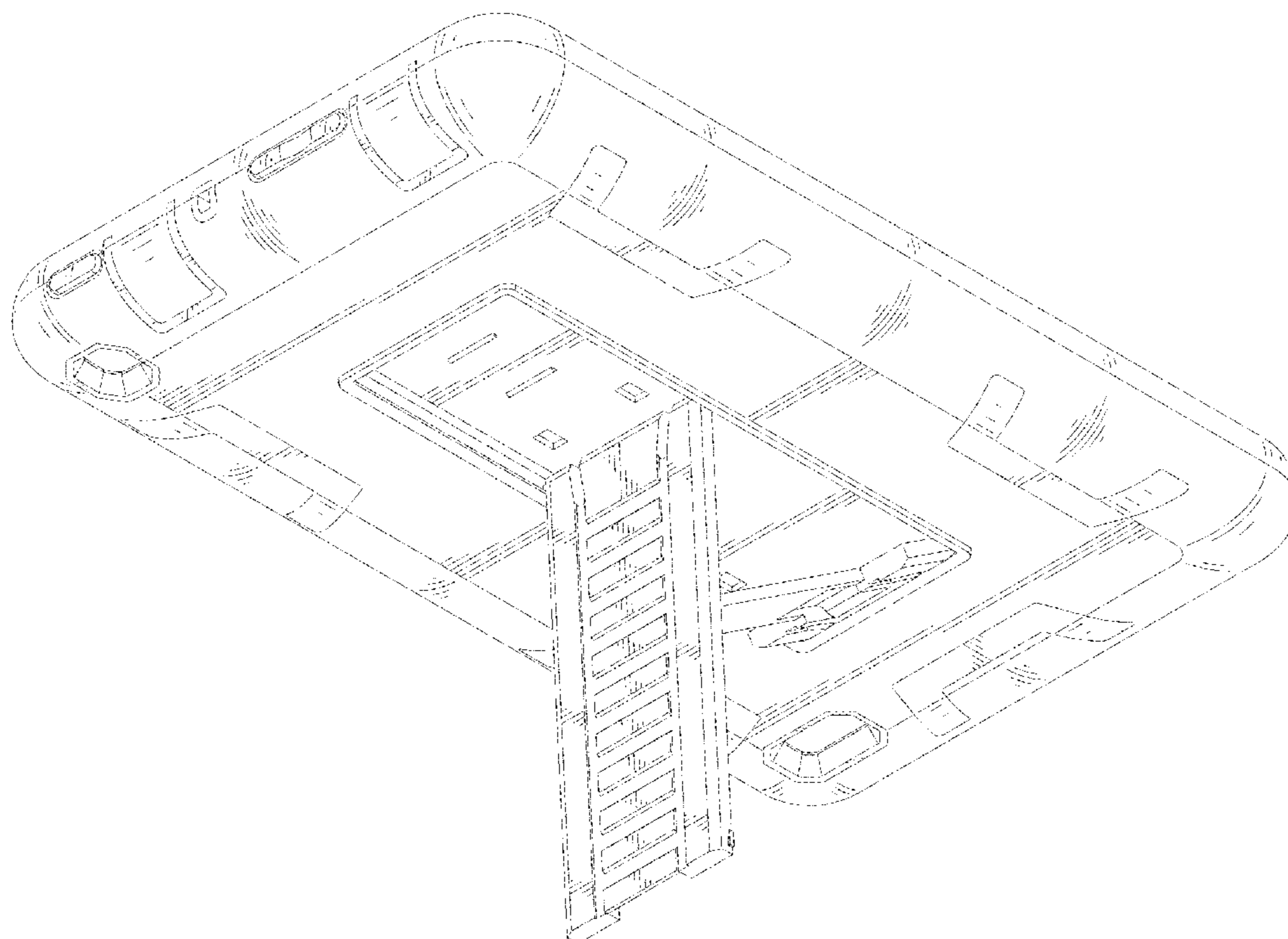
FIG. 1 is a perspective view of a case for electronic device showing my new design.
FIG. 2 is another perspective view thereof.
FIG. 3 is a front view thereof.
FIG. 4 is a rear view thereof.
FIG. 5 is a left end view thereof.
FIG. 6 is a right end view thereof.
FIG. 7 is a top view thereof.
FIG. 8 is a bottom view thereof; and,
FIG. 9 is a perspective view showing the in-use position thereof.

1 Claim, 9 Drawing Sheets

(56) **References Cited**

U.S. PATENT DOCUMENTS

D638,414 S *	5/2011	Magness	D14/250
D660,305 S *	5/2012	Ho	D14/447
D692,432 S *	10/2013	Liu	D14/440
D701,211 S *	3/2014	Ng	D14/440
D712,412 S *	9/2014	Bleau	D14/440
8,863,953 B1 *	10/2014	Fager	B65D 71/14 206/320
D725,115 S *	3/2015	Glanzer	D14/440
D725,119 S *	3/2015	Gaylord	D14/440
D726,732 S *	4/2015	Lay	D14/440
D732,543 S *	6/2015	Westrup	D14/447
D733,154 S *	6/2015	Armstrong	D14/440
D747,321 S *	1/2016	London	D14/440



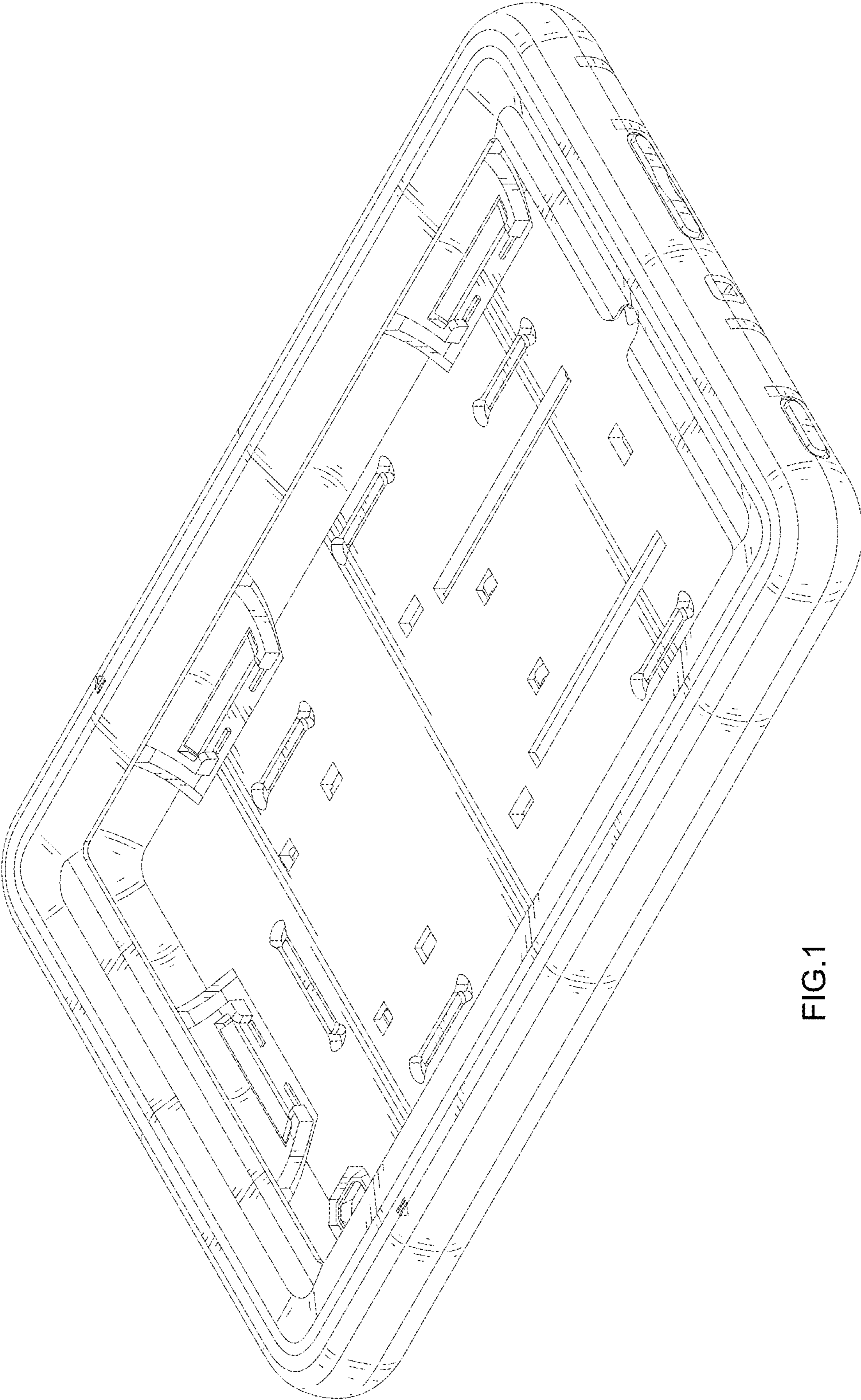


FIG.1

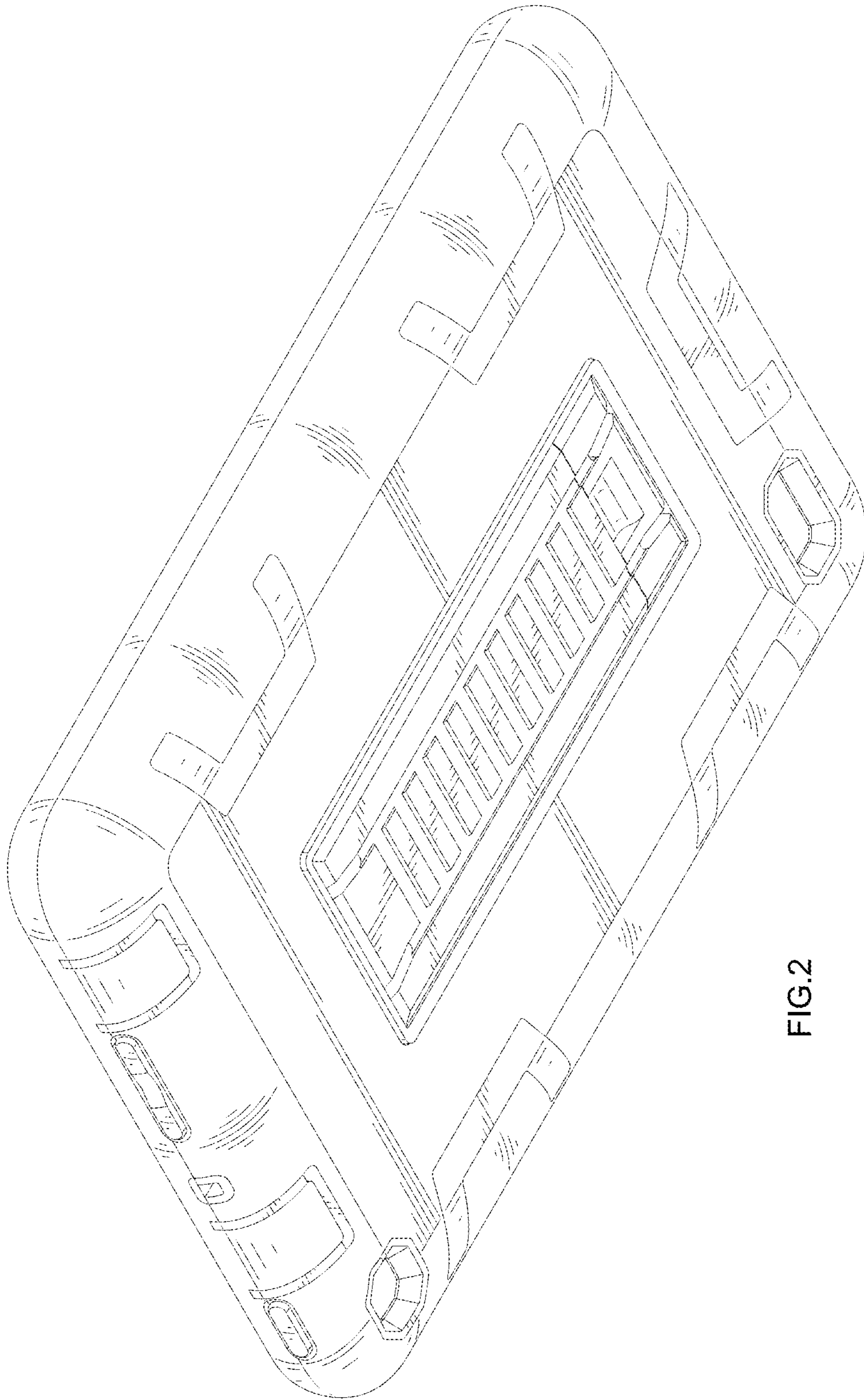


FIG.2

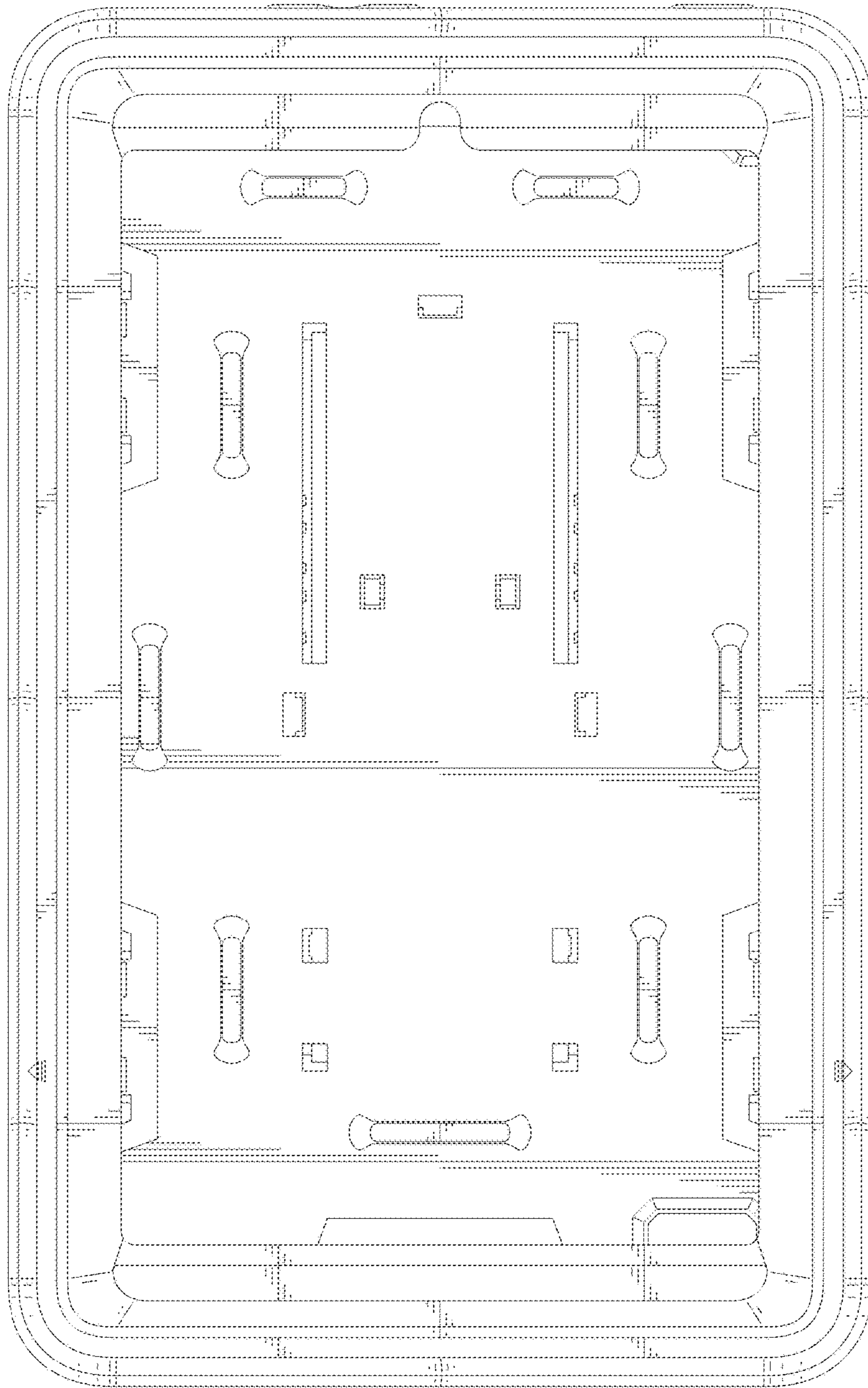


FIG.3

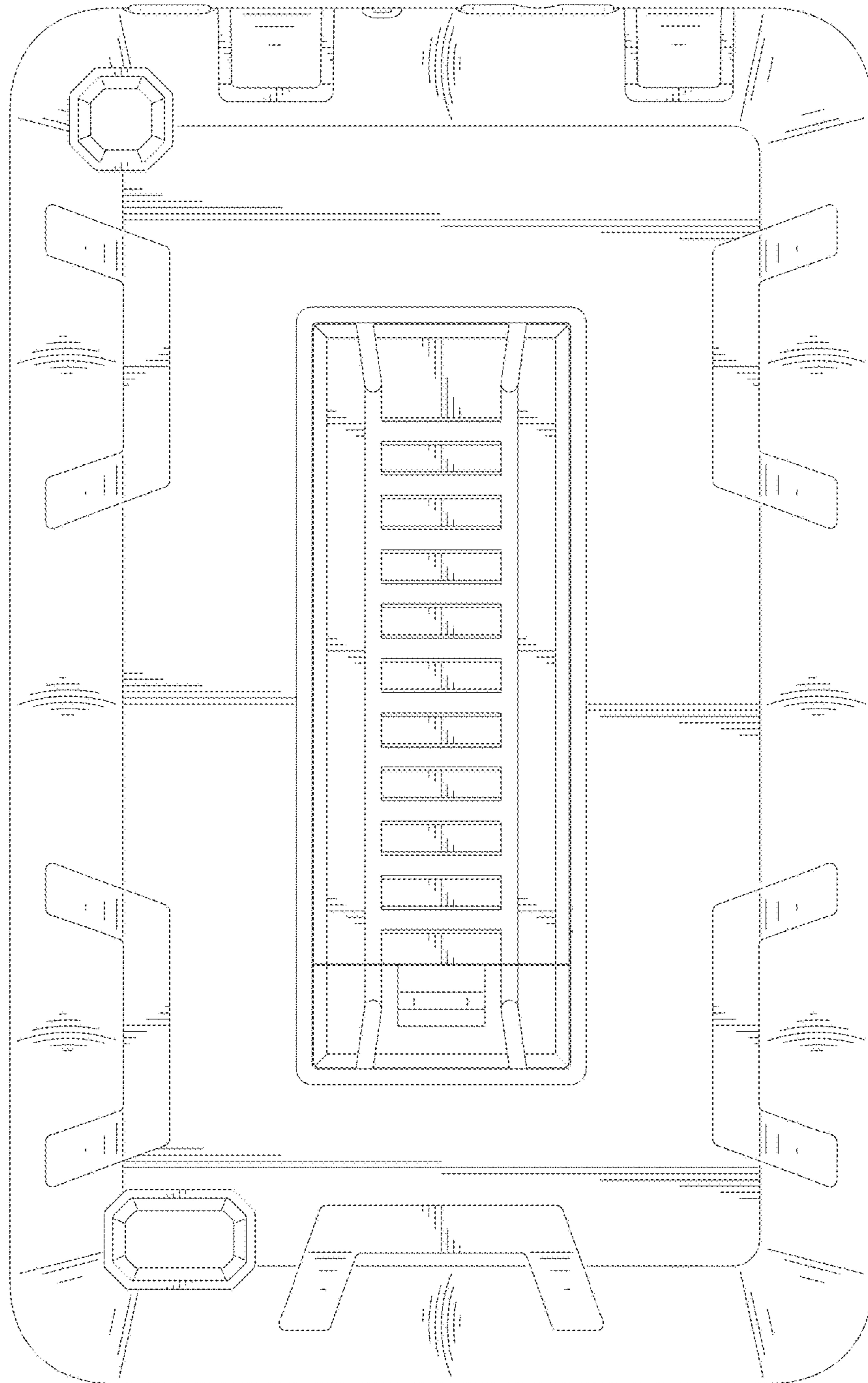


FIG.4

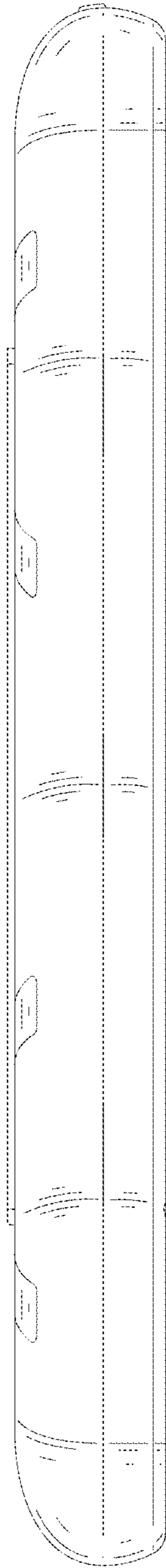


FIG.5

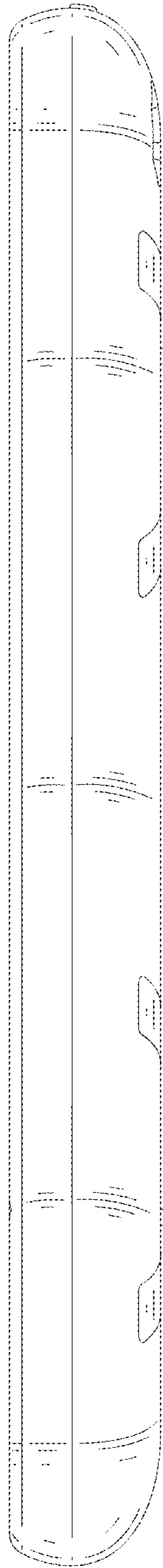


FIG.6

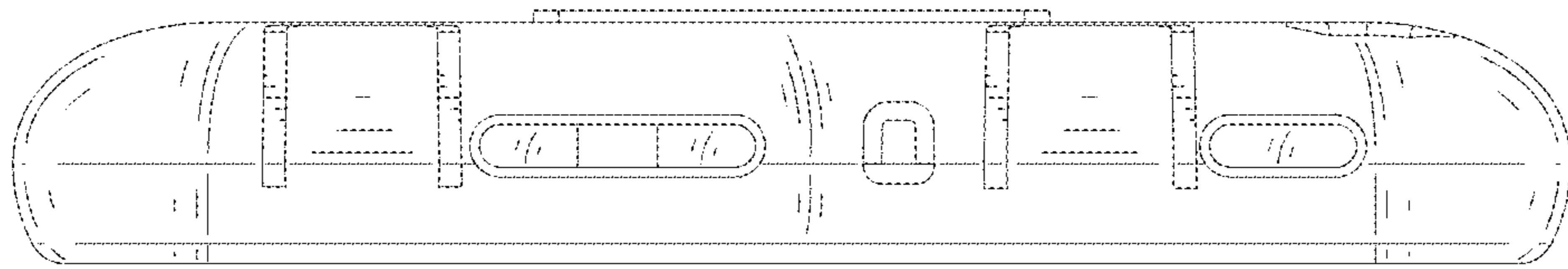


FIG.7

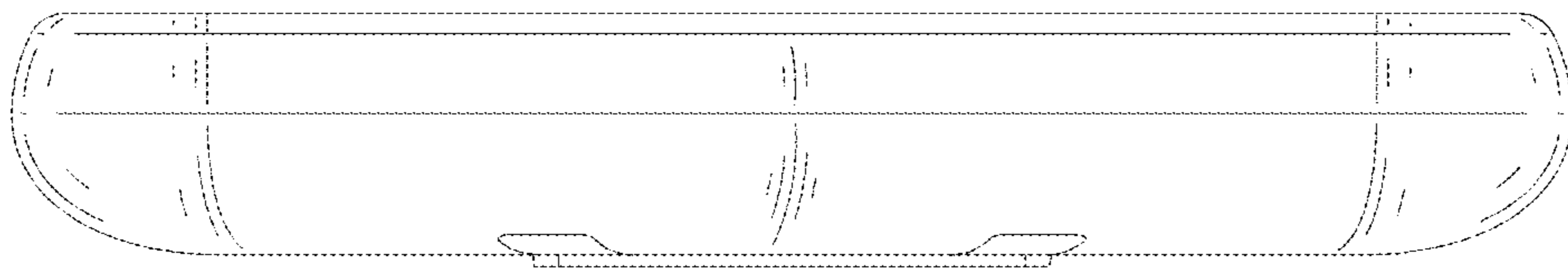


FIG.8

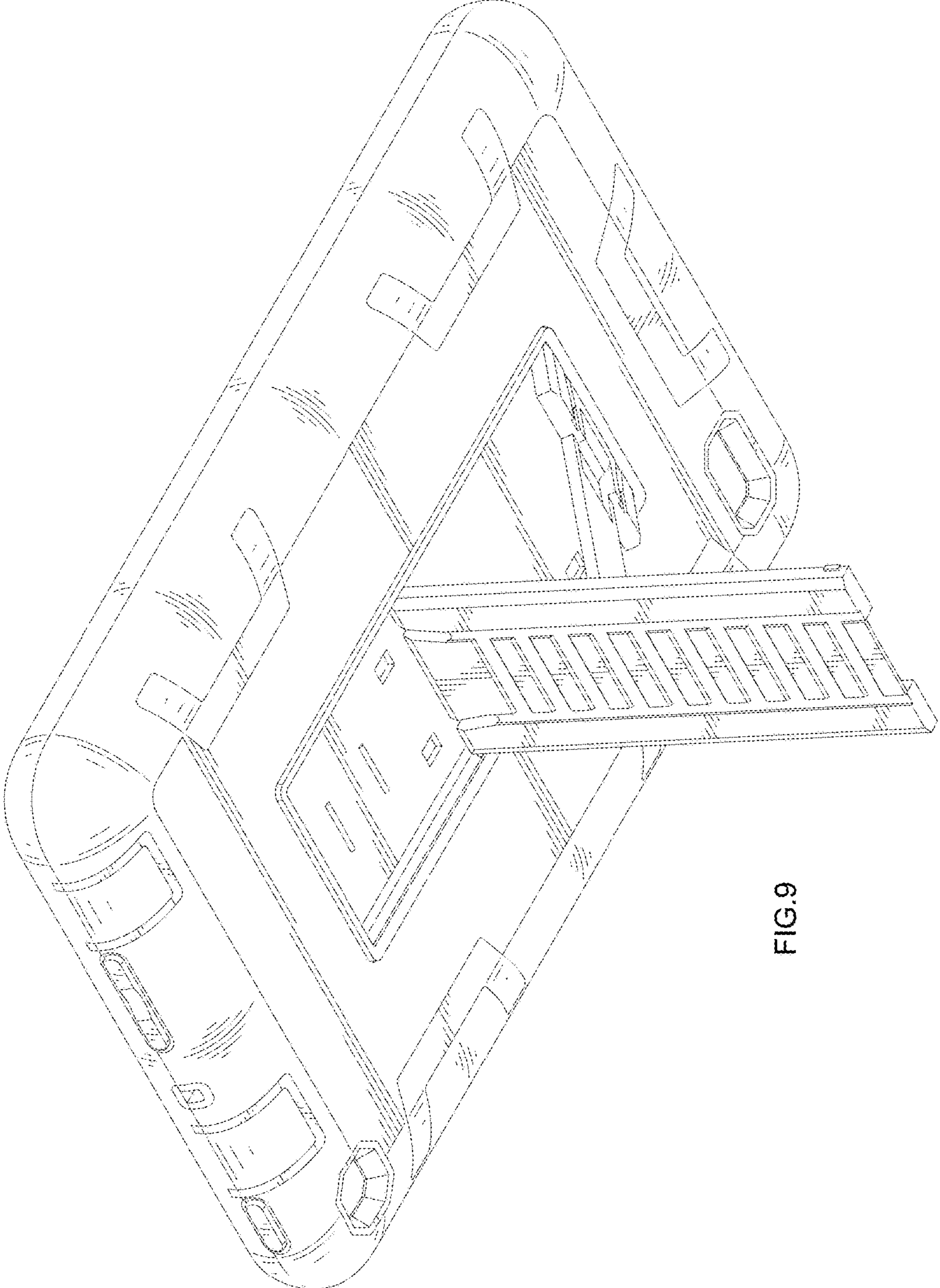


FIG. 9