



US00D808969S

(12) **United States Design Patent** (10) **Patent No.:** **US D808,969 S**
Gessford et al. (45) **Date of Patent:** **** Jan. 30, 2018**

(54) **STACKING SYSTEM SUPPORT FOR ELECTRONIC EQUIPMENT**

H05K 7/1425; H05K 7/1488; H05K 7/183; H05K 7/14; H05K 5/00; H05K 7/00; G11B 33/126; G11B 33/128; G11B 33/08; G11B 33/02; H05H 7/20

(71) Applicant: **TEKTRONIX, INC.**, Beaverton, OR (US)

See application file for complete search history.

(72) Inventors: **Marc A. Gessford**, North Plains, OR (US); **Samuel A. Cassel**, Portland, OR (US); **Lawrence M. Le Mon**, Beaverton, OR (US); **Neil Clayton**, Hillsboro, OR (US); **Stanley G. Miller**, Beaverton, OR (US); **Jessica Anna Dunn**, Beaverton, OR (US); **Karl A. Rinder**, Beaverton, OR (US); **Michael J. Wadzita**, Vancouver, WA (US); **Thuy T. Nguyen**, Beaverton, OR (US); **Michael C. Moore**, Beaverton, OR (US)

(56) **References Cited**

U.S. PATENT DOCUMENTS

D310,825 S	9/1990	Crease et al.
D319,225 S	8/1991	Kline et al.
D367,852 S	3/1996	Iiono et al.
D371,768 S	7/1996	Kammersgard et al.
D380,200 S	6/1997	Hill et al.
D410,231 S	5/1999	Alo
6,085,925 A	7/2000	Chung
6,328,612 B1	12/2001	Chung
D463,427 S	9/2002	Sherry
D483,756 S	12/2003	Tanaka et al.

(Continued)

(73) Assignee: **Tektronix, Inc.**, Beaverton, OR (US)

Primary Examiner — Freda S Nunn

(**) Term: **15 Years**

(74) *Attorney, Agent, or Firm* — Marger Johnson; Andrew J. Harrington

(21) Appl. No.: **29/585,619**

(57) **CLAIM**

(22) Filed: **Nov. 28, 2016**

The ornamental design for a stacking system support for electronic equipment, as shown and described.

Related U.S. Application Data

DESCRIPTION

(62) Division of application No. 29/539,197, filed on Sep. 11, 2015, now Pat. No. Des. 776,106.

(51) **LOC (11) Cl.** **14-02**

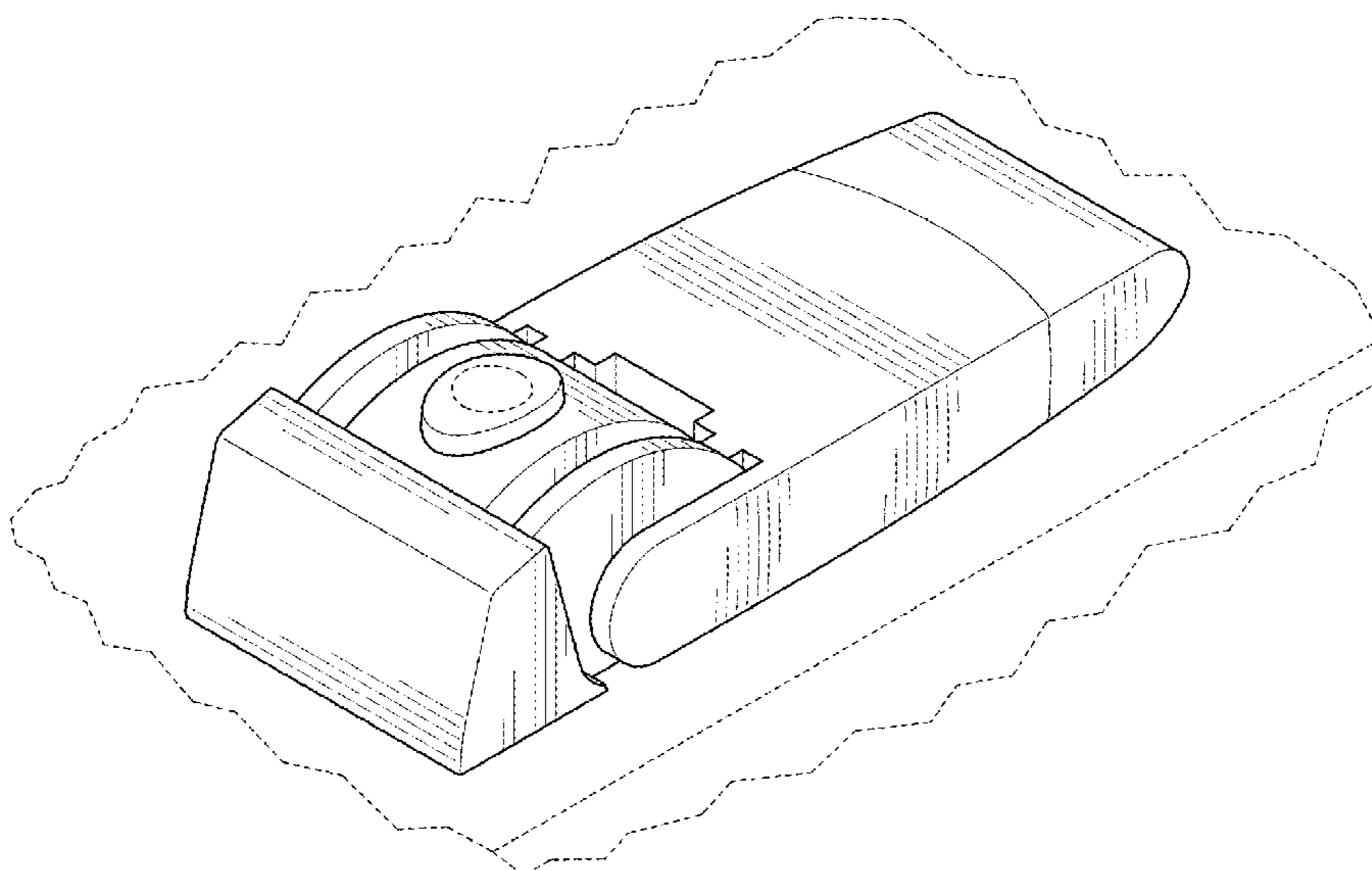
(52) **U.S. Cl.**
USPC **D14/432**

(58) **Field of Classification Search**
USPC D14/240, 300, 301, 308, 313, 314, D14/348-356, 364-368, 432; D13/123, D13/158, 184, 199
CPC . G06F 1/20; G06F 1/181; G06F 1/187; G06F 1/183; G06F 1/184; G06F 1/16; H05K 7/16; H05K 7/20; H05K 7/1424; H05K 7/1409; H05K 7/20545; H05K 7/20727;

FIG. 1 is a perspective view of a stacking system support for electronic equipment showing our new design; FIG. 2 is a perspective view thereof in a second position; FIG. 3 is a top view thereof; FIG. 4 is a front view thereof; FIG. 5 is a rear view thereof; FIG. 6 is a left side view thereof; and, FIG. 7 is a right side view thereof.

The portions of the stacking system shown in broken lines form no part of the claimed design.

1 Claim, 2 Drawing Sheets



(56)

References Cited

U.S. PATENT DOCUMENTS

6,760,218 B2	7/2004	Fan	
D505,949 S	6/2005	Chen et al.	
D516,550 S	3/2006	Taniho et al.	
D518,060 S *	3/2006	Chen	D14/432
D776,106 S	1/2017	Gessford et al.	

* cited by examiner

FIG. 1

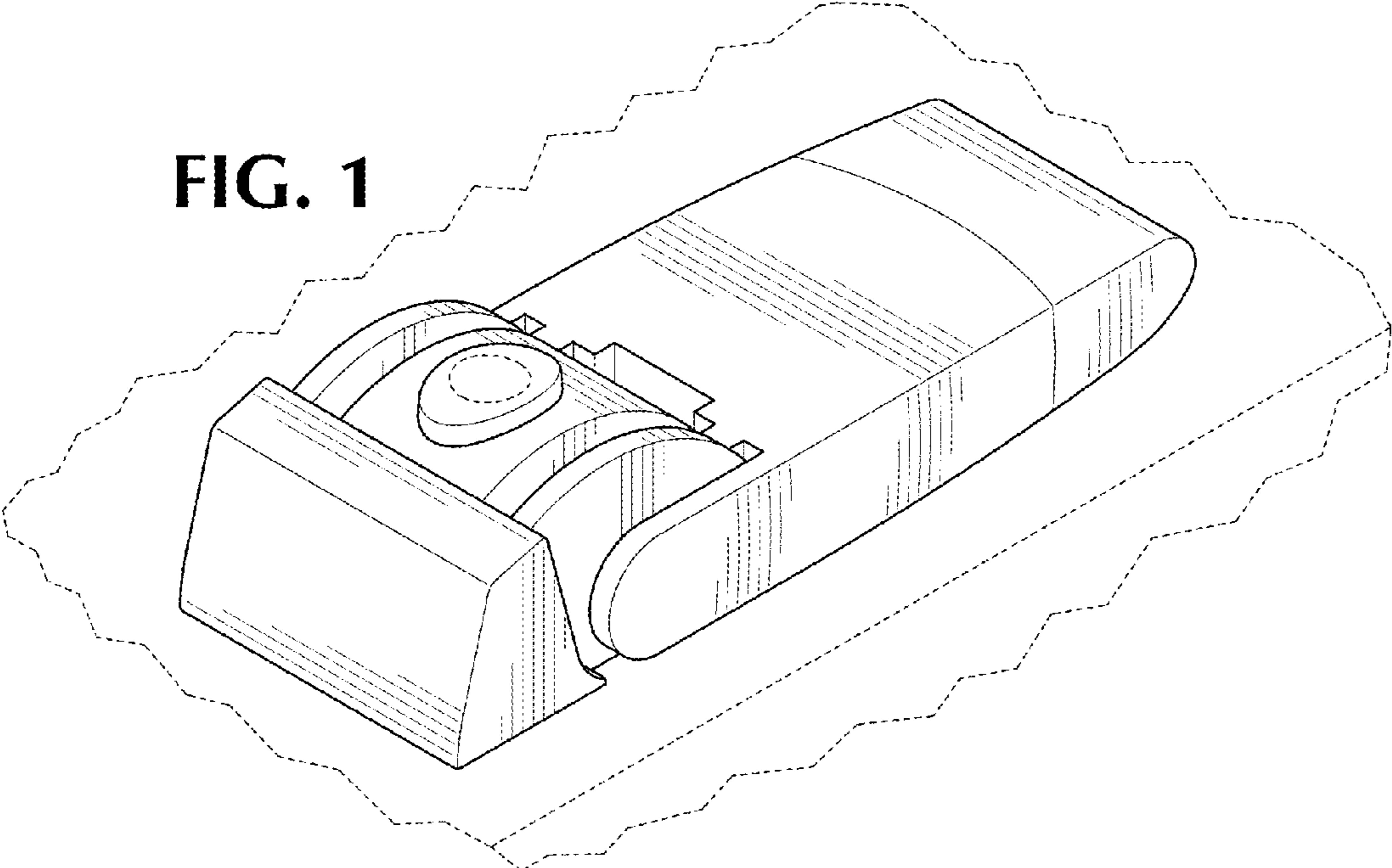
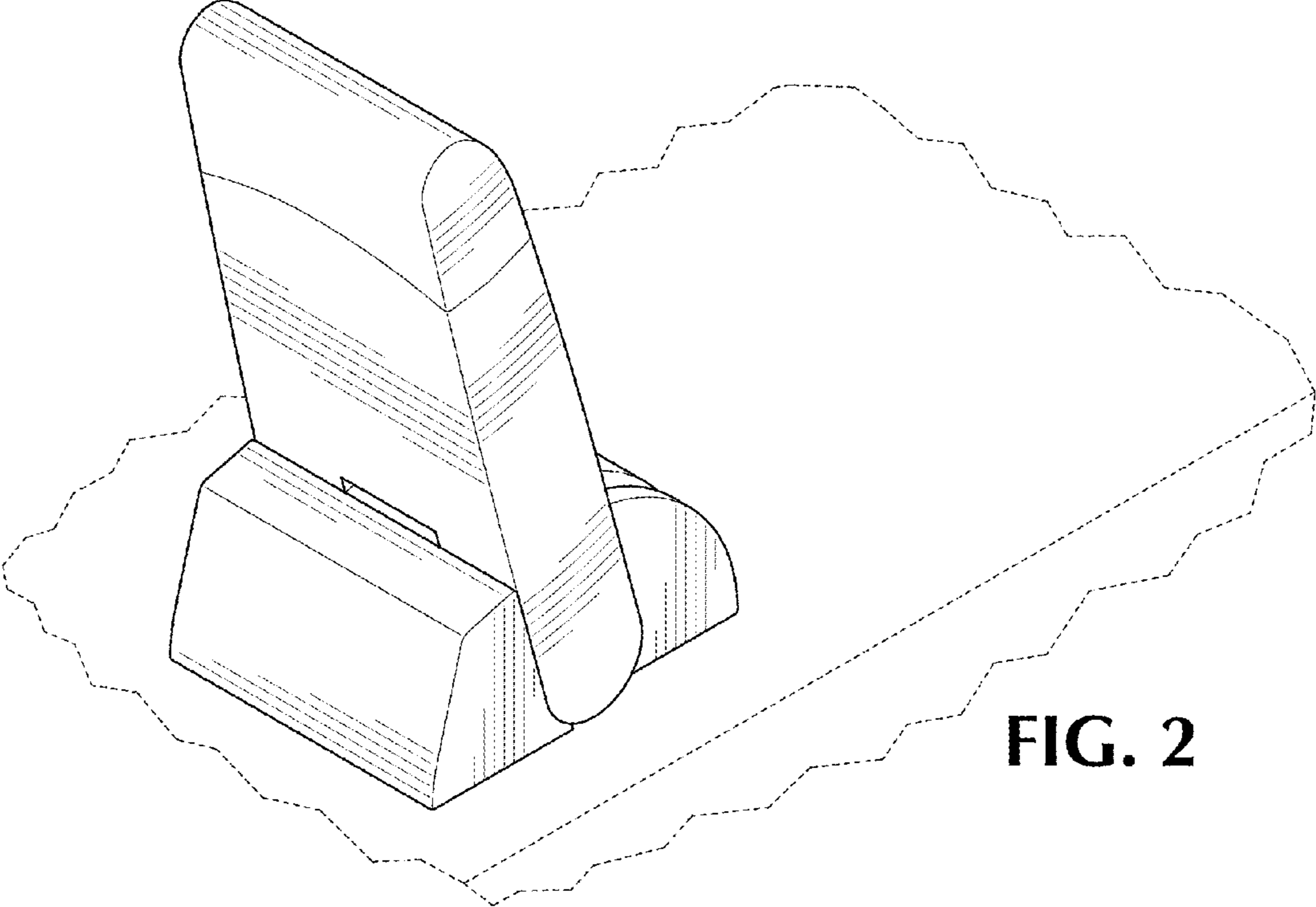


FIG. 2



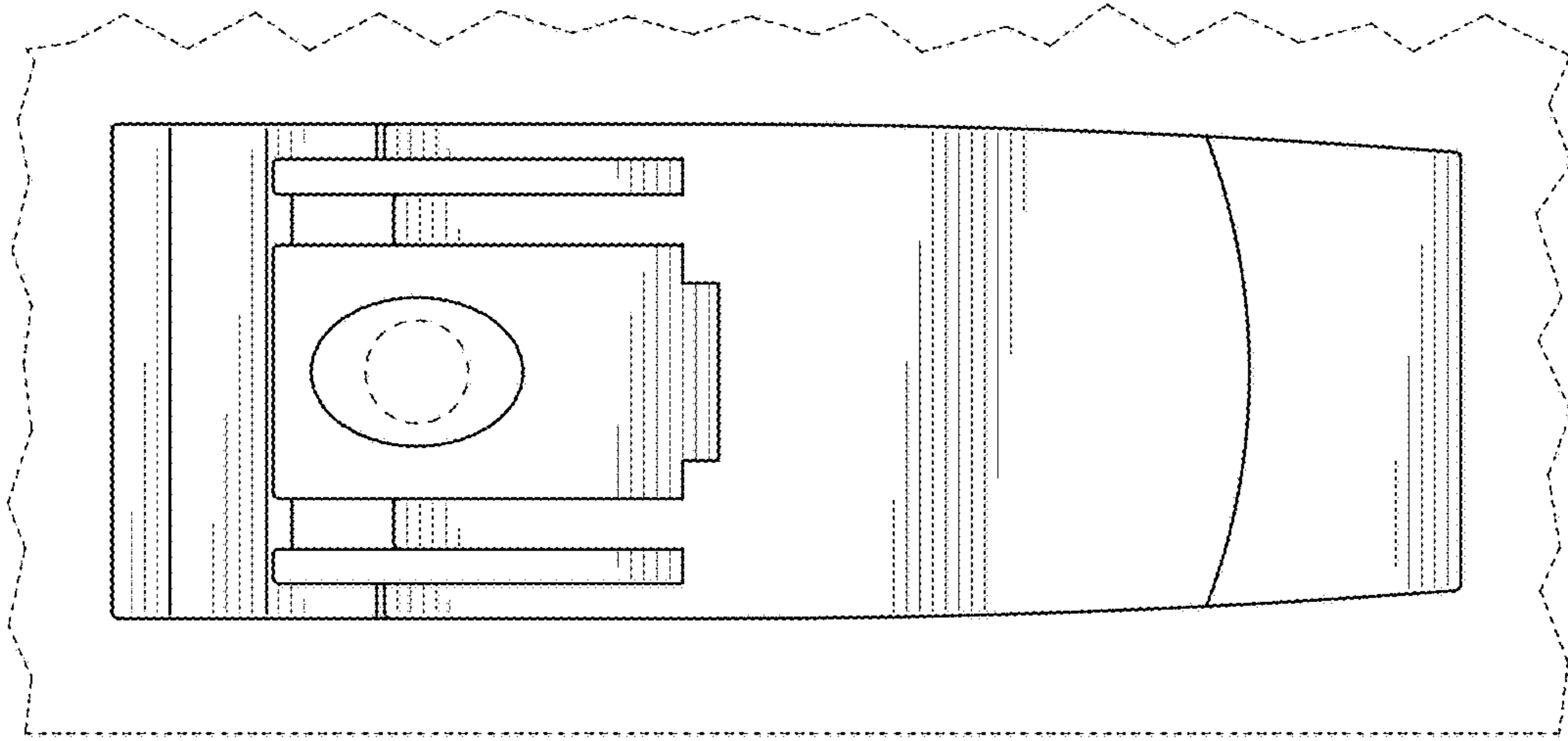


FIG. 3

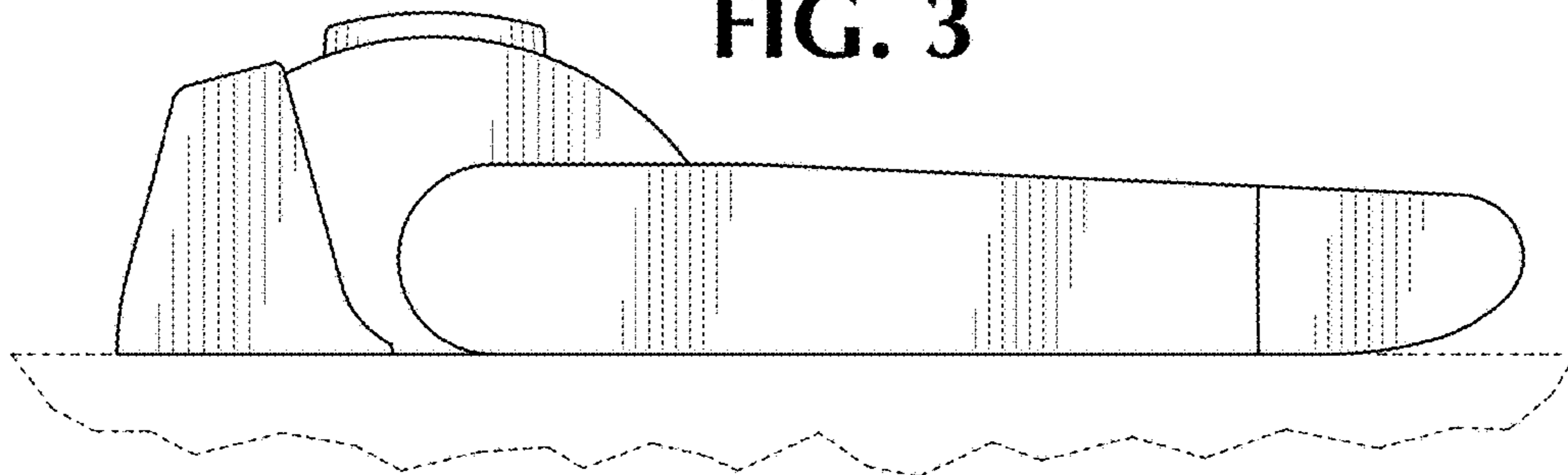


FIG. 4

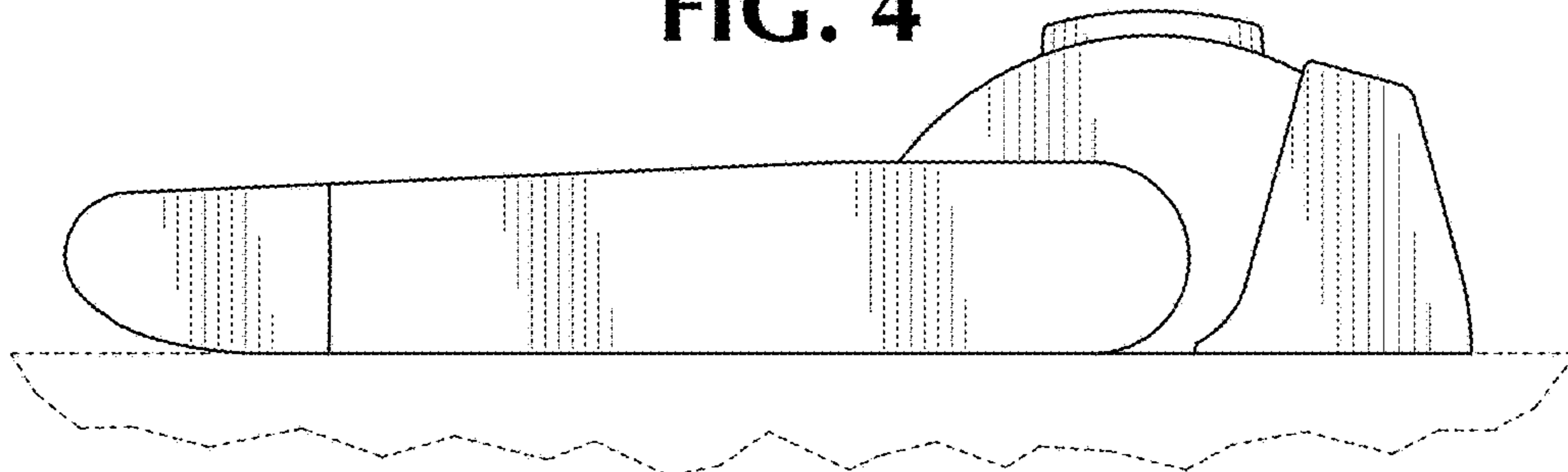


FIG. 5

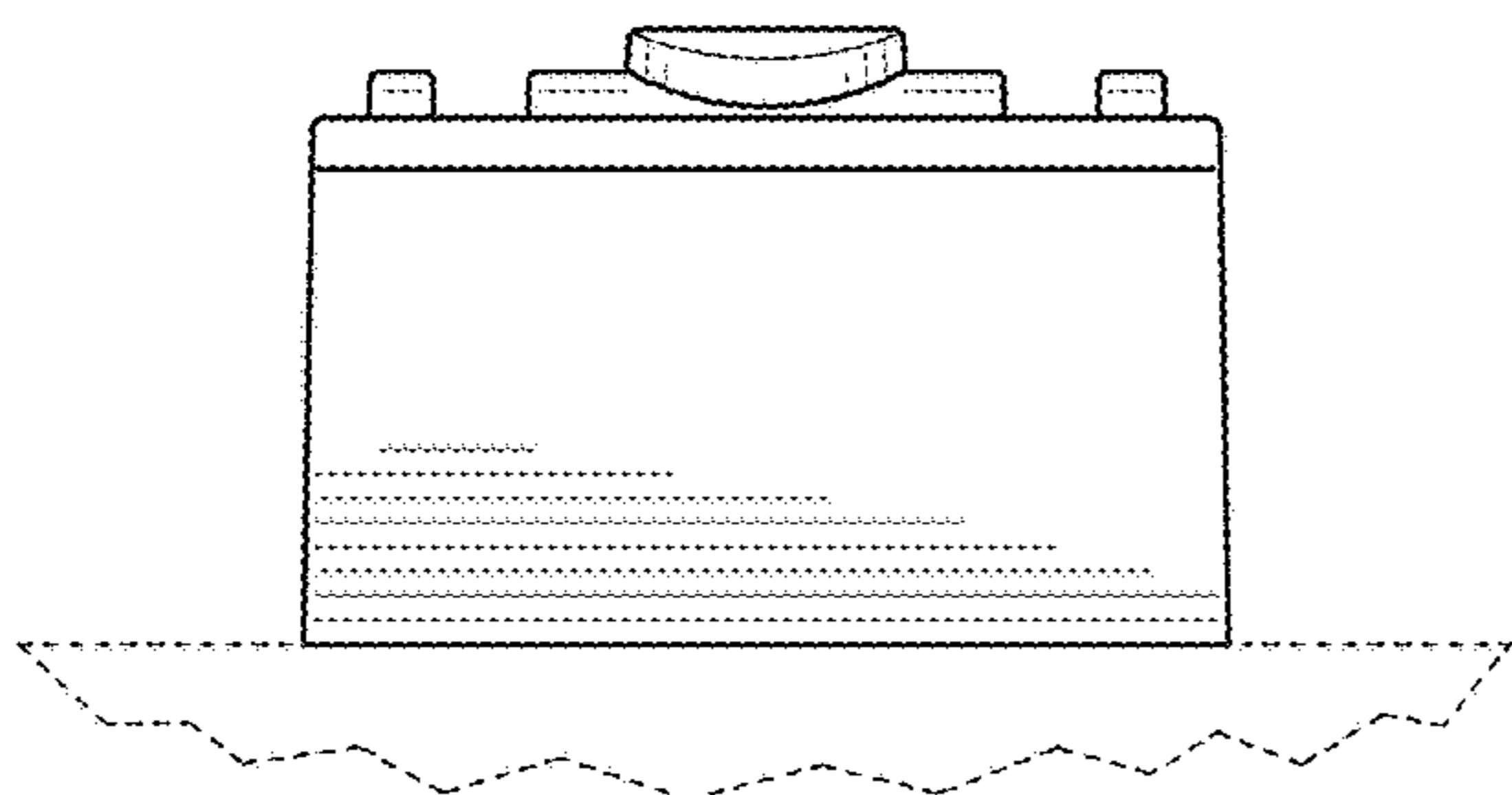


FIG. 6

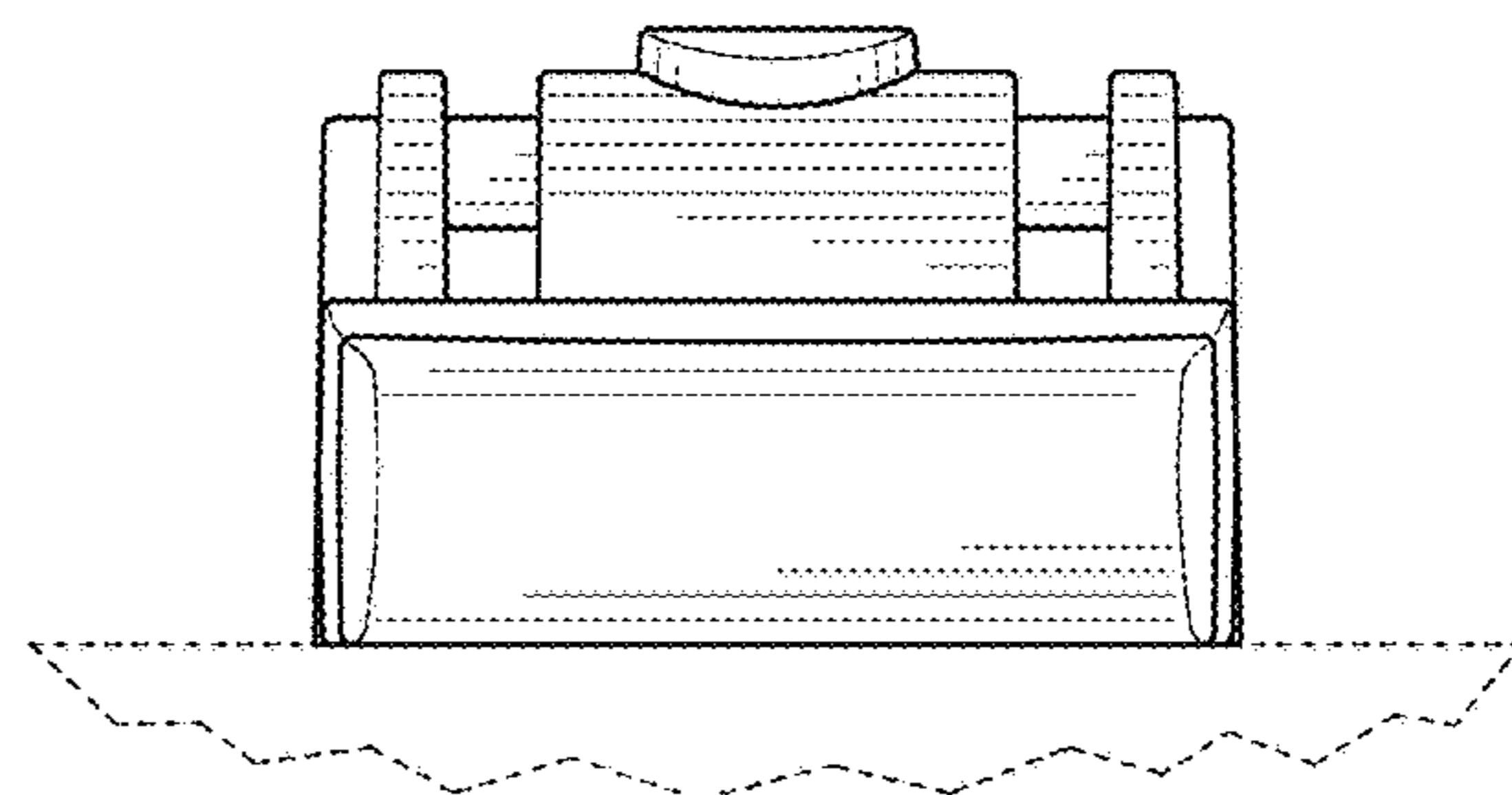


FIG. 7