



US00D808967S

(12) **United States Design Patent**
Yamamoto et al.

(10) **Patent No.:** **US D808,967 S**
(45) **Date of Patent:** **** Jan. 30, 2018**

(54) **CONTROLLER**
(71) Applicant: **Nintendo Co., Ltd.**, Kyoto (JP)
(72) Inventors: **Shinji Yamamoto**, Kyoto (JP);
Fumiyoshi Suetake, Kyoto (JP)
(73) Assignee: **Nintendo Co., Ltd.**, Kyoto (JP)
(**) Term: **15 Years**

8,529,357 B2 * 9/2013 Joynes G06F 3/0219
463/36
D713,468 S * 9/2014 Sawhney D21/324
9,005,025 B2 * 4/2015 Joynes A63F 13/06
463/37
D729,803 S * 5/2015 Avery D14/401
D737,273 S * 8/2015 Schoenith D14/401
D742,973 S * 11/2015 Park D14/401
D743,490 S * 11/2015 Park D14/401
D776,763 S * 1/2017 Schoenith D14/401
2013/0053146 A1 * 2/2013 Ikeda A63F 13/245
463/37

(21) Appl. No.: **29/579,718**

* cited by examiner

(22) Filed: **Oct. 3, 2016**

Primary Examiner — Prabhakar G Deshmukh

(30) **Foreign Application Priority Data**

(74) *Attorney, Agent, or Firm* — Nixon & Vanderhye,
P.C.

Apr. 11, 2016 (JP) 2016-007992
Apr. 11, 2016 (JP) 2016-007993
Apr. 11, 2016 (JP) 2016-007994

(57) **CLAIM**

The ornamental design for a controller, as shown and described.

(51) **LOC (11) Cl.** **14-02**

DESCRIPTION

(52) **U.S. Cl.**

USPC **D14/401**; D21/329; D21/333

(58) **Field of Classification Search**

USPC D21/324–333; D14/341–346, 356, 432,
D14/496, 207.3, 203.7, 507, 399–401;
273/148 B; 463/1, 29–47; 345/156–161,
345/168, 169, 172; 341/22, 23
CPC .. A63F 13/02; A63F 11/00; A63F 9/24; A63F
71/00; G06F 3/033; G09G 5/00

See application file for complete search history.

FIG. 1 is a front view of a controller showing our new design;
FIG. 2 is a top view thereof;
FIG. 3 is a back view thereof;
FIG. 4 is a bottom view thereof;
FIG. 5 is a right view thereof;
FIG. 6 is a left view thereof;
FIG. 7 is a front side perspective view thereof; and,
FIG. 8 is a back side perspective view thereof.

(56) **References Cited**

U.S. PATENT DOCUMENTS

D492,294 S * 6/2004 Kim A63F 13/92
D14/240
D656,557 S * 3/2012 Ikeda D14/400
D656,996 S * 4/2012 Mikhailov D14/401
D658,719 S * 5/2012 Ikeda D14/400

The broken lines shown in the figures are for illustrative purposes only and form no part of the claimed design. The chain lines shown in the figures are to indicate a boundary between a claimed design and disclaimed portion, and those are not a part of a claimed design or disclaimed portion.

1 Claim, 8 Drawing Sheets

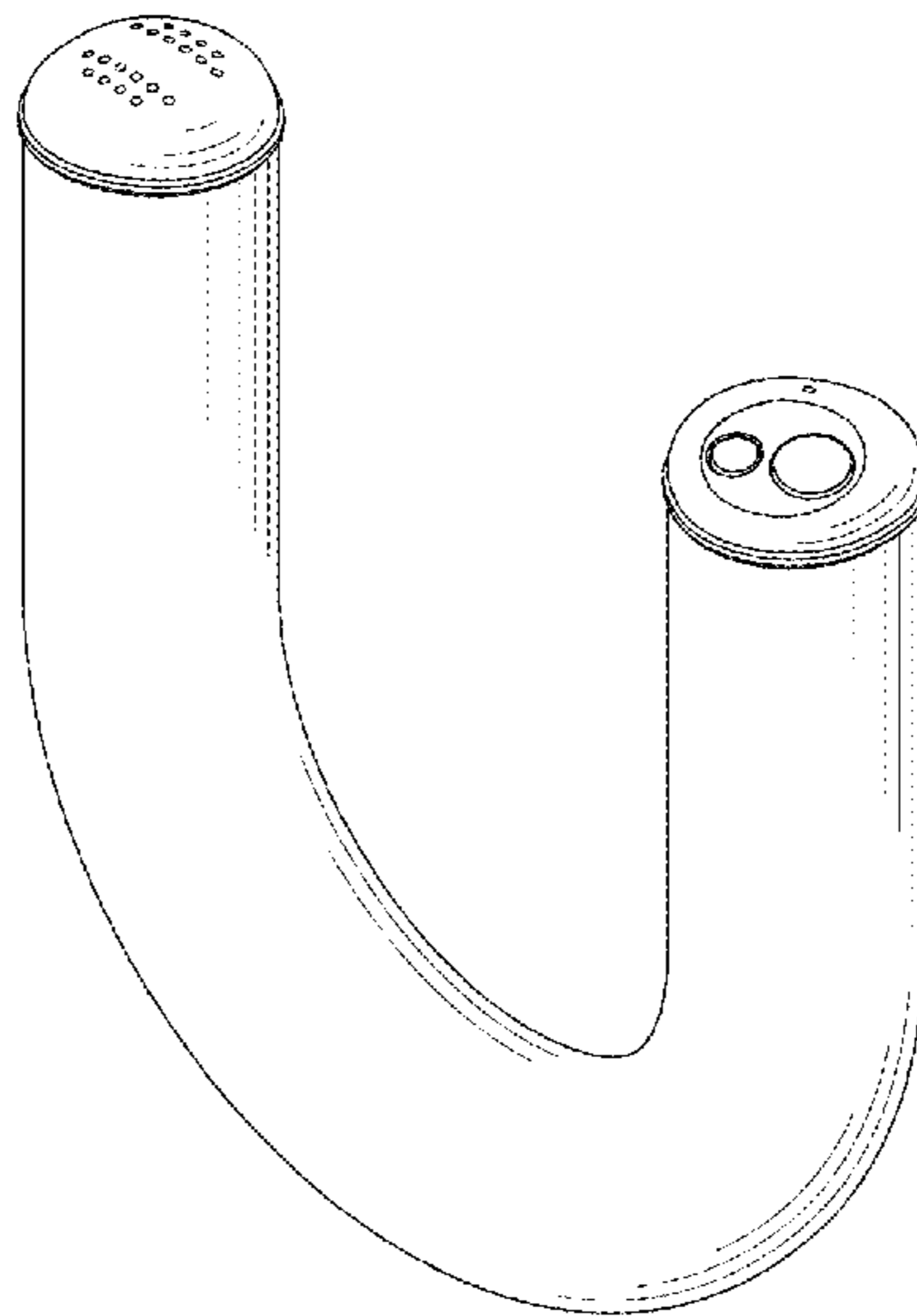


Fig. 1

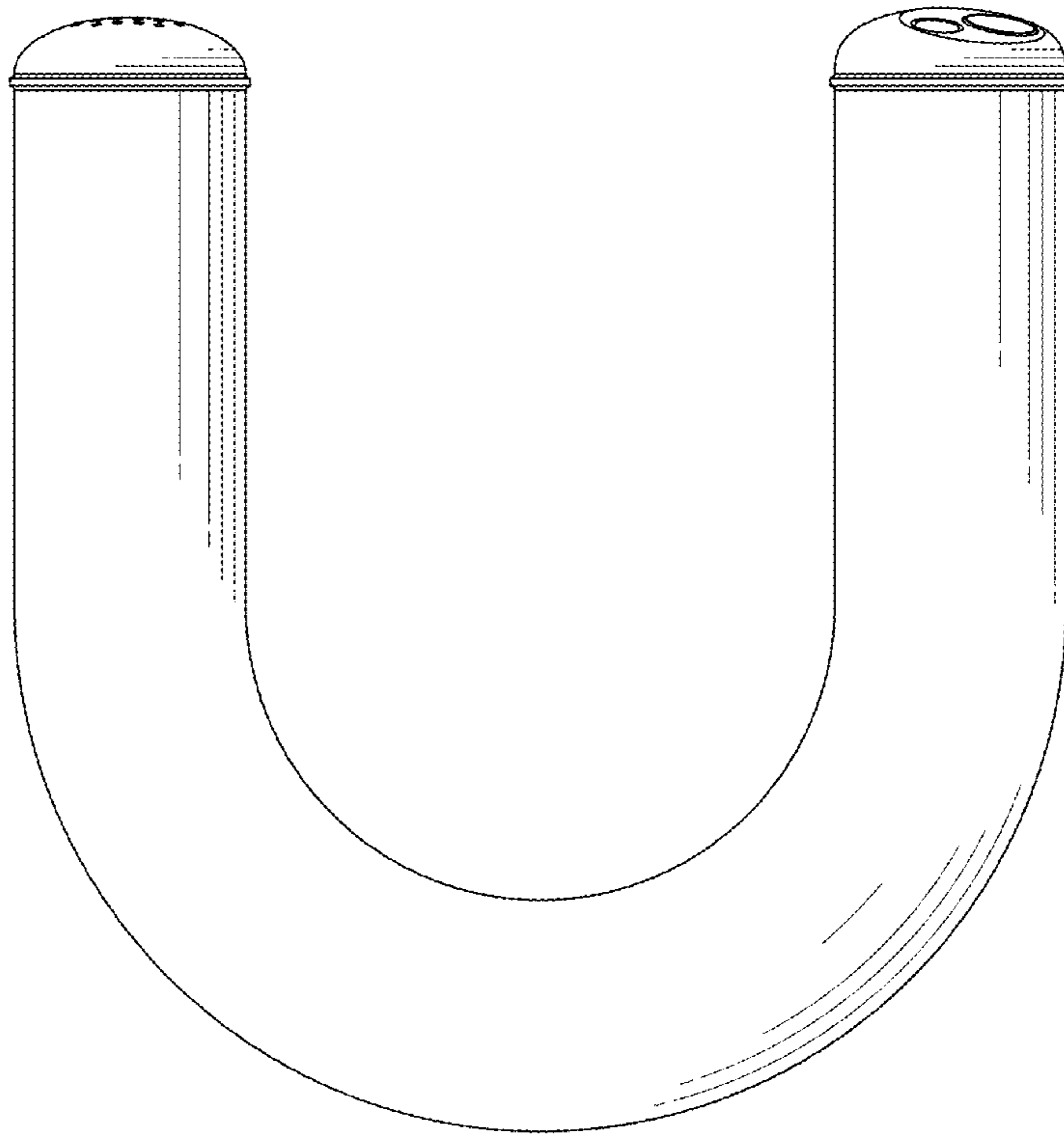


Fig.2

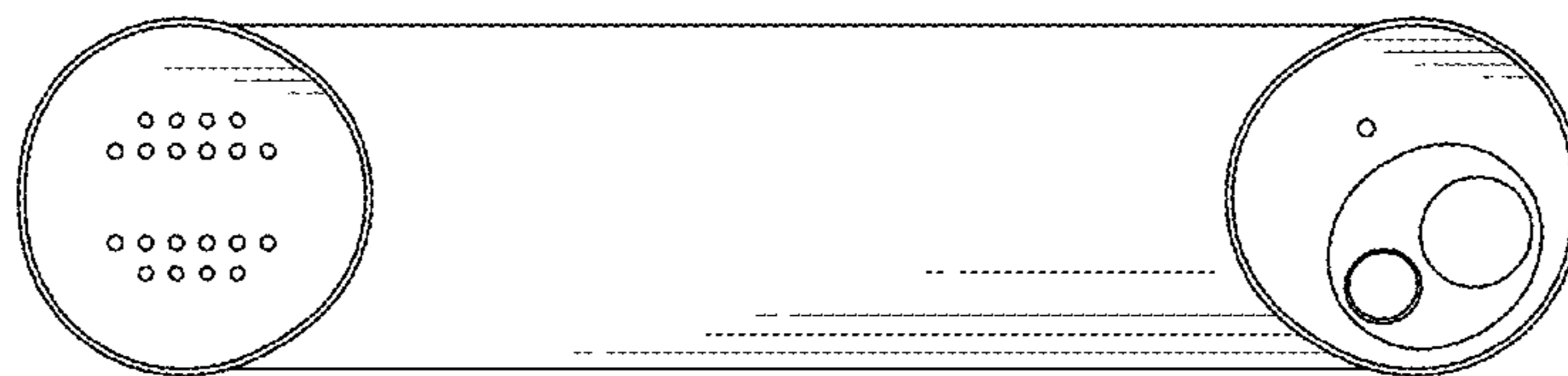


Fig.3

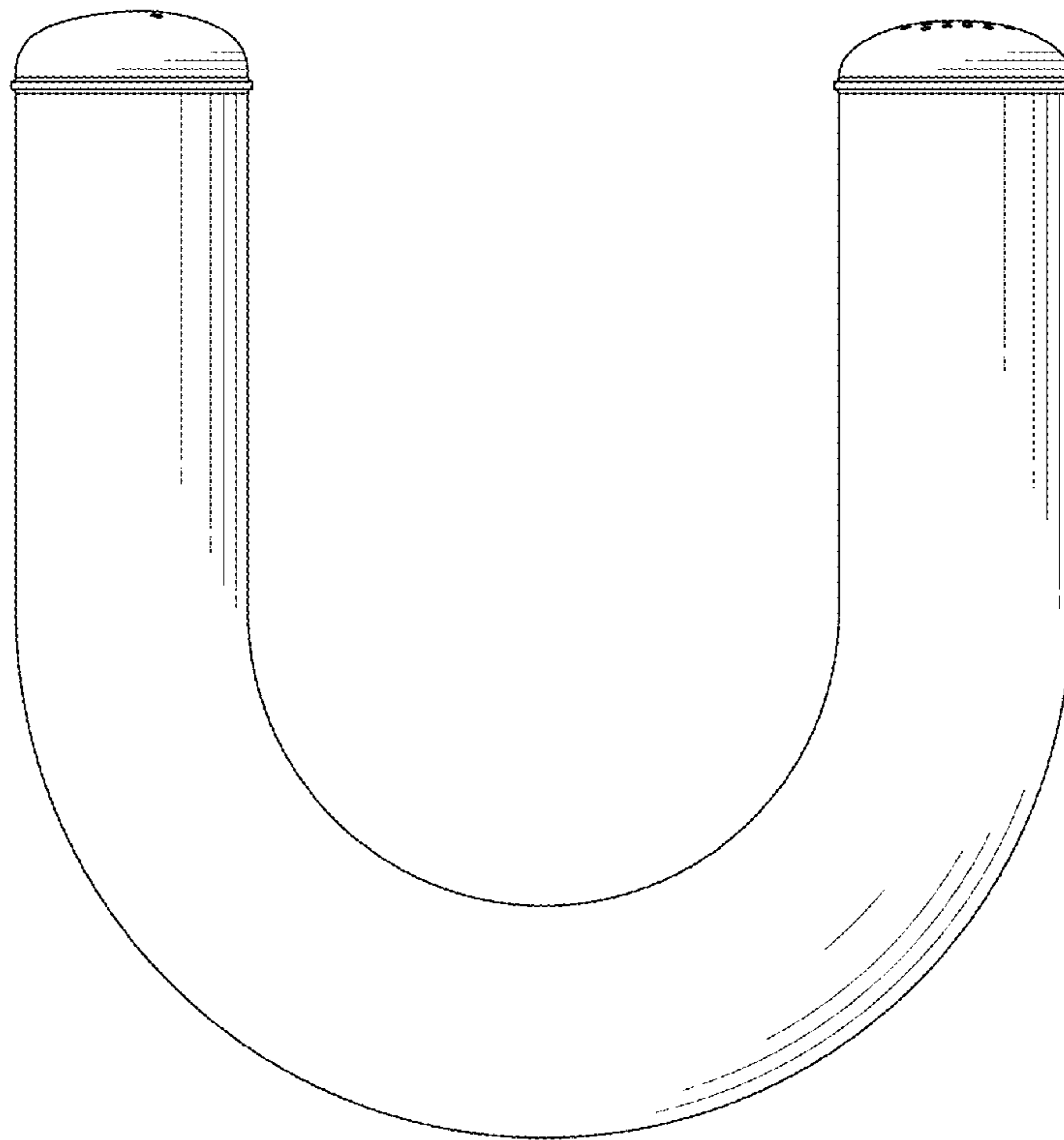


Fig.4

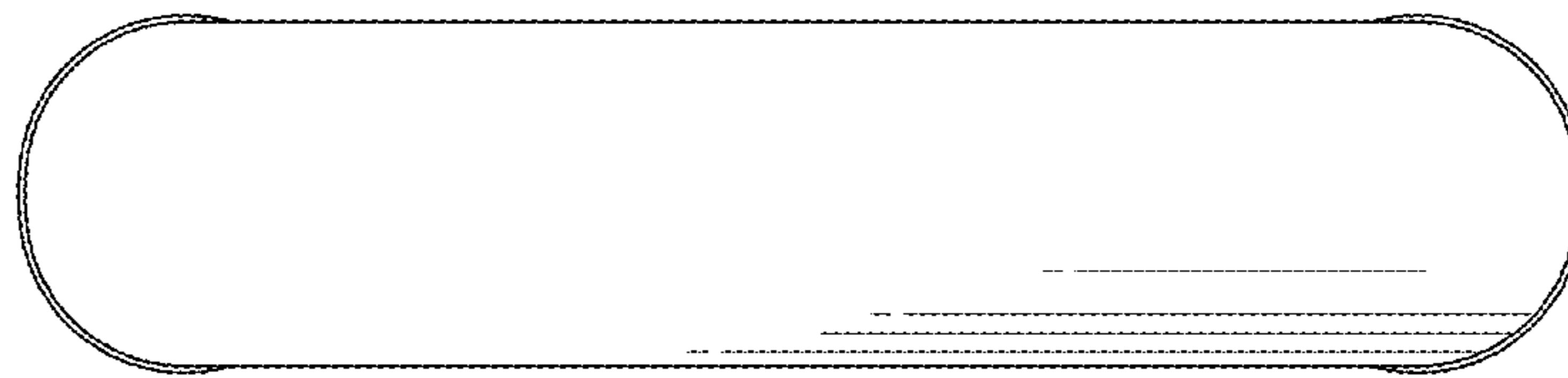


Fig. 5

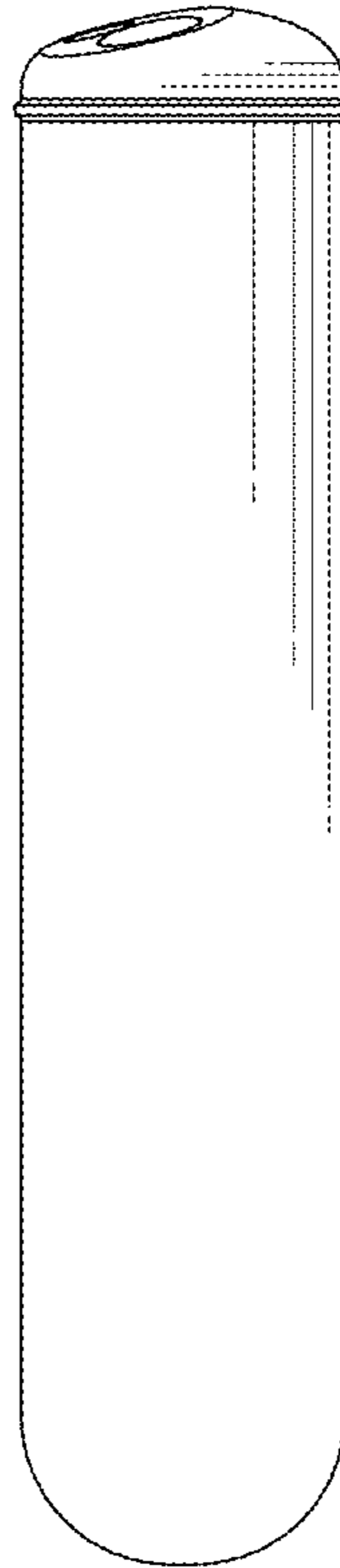


Fig.6

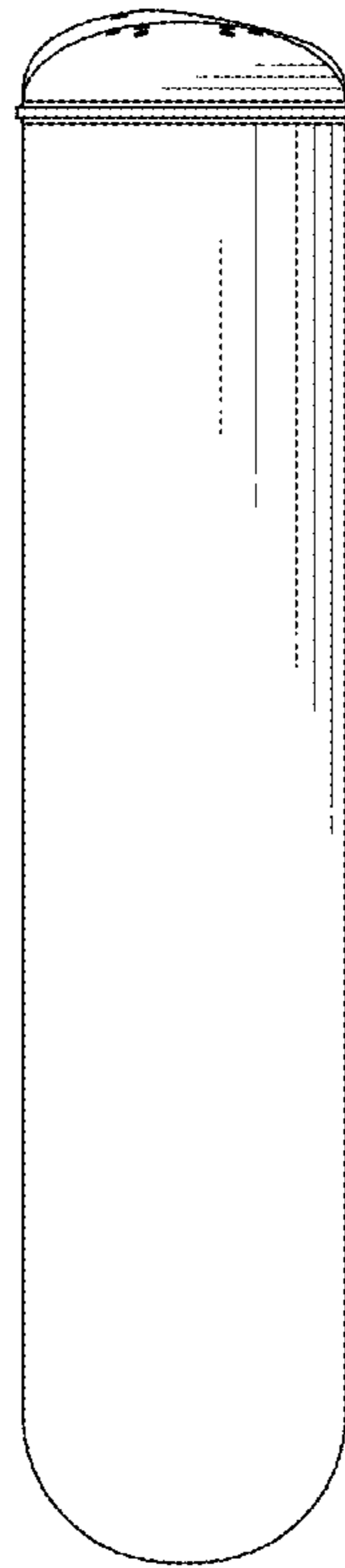


Fig.7

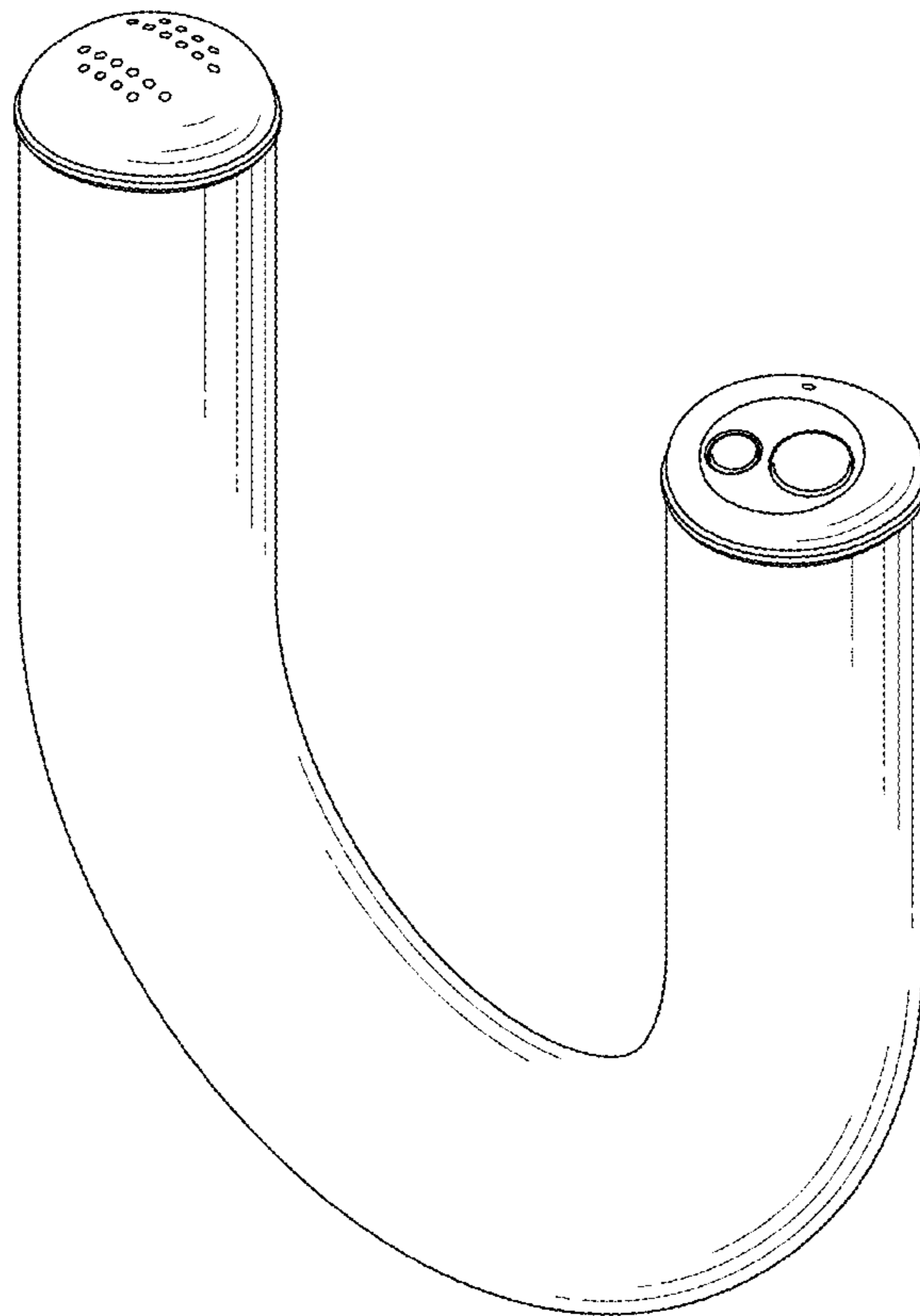


Fig.8

