



US00D808965S

(12) **United States Design Patent**  
**Bergeron-Mirsky et al.**

(10) **Patent No.:** **US D808,965 S**  
(45) **Date of Patent:** **\*\* Jan. 30, 2018**

- (54) **MONITOR**
- (71) Applicant: **Apple Inc.**, Cupertino, CA (US)
- (72) Inventors: **William Joseph Bergeron-Mirsky**,  
Cupertino, CA (US); **David Kahl**  
**Peschel**, San Carlos, CA (US)
- (73) Assignee: **Apple Inc.**, Cupertino, CA (US)
- (\*\*) Term: **15 Years**
- (21) Appl. No.: **29/590,463**
- (22) Filed: **Jan. 10, 2017**
- (51) **LOC (11) Cl.** ..... **14-02**
- (52) **U.S. Cl.**  
USPC ..... **D14/371**
- (58) **Field of Classification Search**  
USPC ..... D14/371-375, 125-129, 336, 337;  
D6/300, 308; D19/113, 114; D20/10  
CPC ..... G09F 15/0025; G09F 15/0062; G09F  
15/0068; G06F 1/16; G06F 1/1613; G06F  
1/133308; G06F 1/1601; G06F 3/037;  
G06F 1/162; F16M 11/02; F16M 11/10;  
F16M 11/00; F16M 11/06; F16M 11/18;  
F16M 11/045; F16M 11/105; F16M  
11/041; F16M 11/126; F16M 11/04;  
F16M 11/24; F16M 13/02; A47F 5/00  
See application file for complete search history.

D434,738 S *	12/2000	Takemasa	.....	D14/133
D455,131 S *	4/2002	Reynaga	.....	D14/126
6,837,469 B2 *	1/2005	Wu	.....	F16M 11/126 248/278.1
7,280,665 B2 *	10/2007	Tamura	.....	H04N 5/642 348/E5.13
D599,755 S *	9/2009	Jin	.....	D14/126
D644,223 S *	8/2011	Maupin	.....	D14/371
D704,709 S *	5/2014	Bussoli	.....	D14/128
D726,717 S *	4/2015	Lee	.....	D14/371
D734,280 S *	7/2015	Choi	.....	D14/126
D763,259 S *	8/2016	Lee	.....	D14/375
2003/0058372 A1 *	3/2003	Williams	.....	F16M 11/18 348/836

\* cited by examiner

*Primary Examiner* — Freda S Nunn

(74) *Attorney, Agent, or Firm* — Sterne, Kessler,  
Goldstein & Fox P.L.L.C.

(57) **CLAIM**

The ornamental design for a monitor, as shown and described.

**DESCRIPTION**

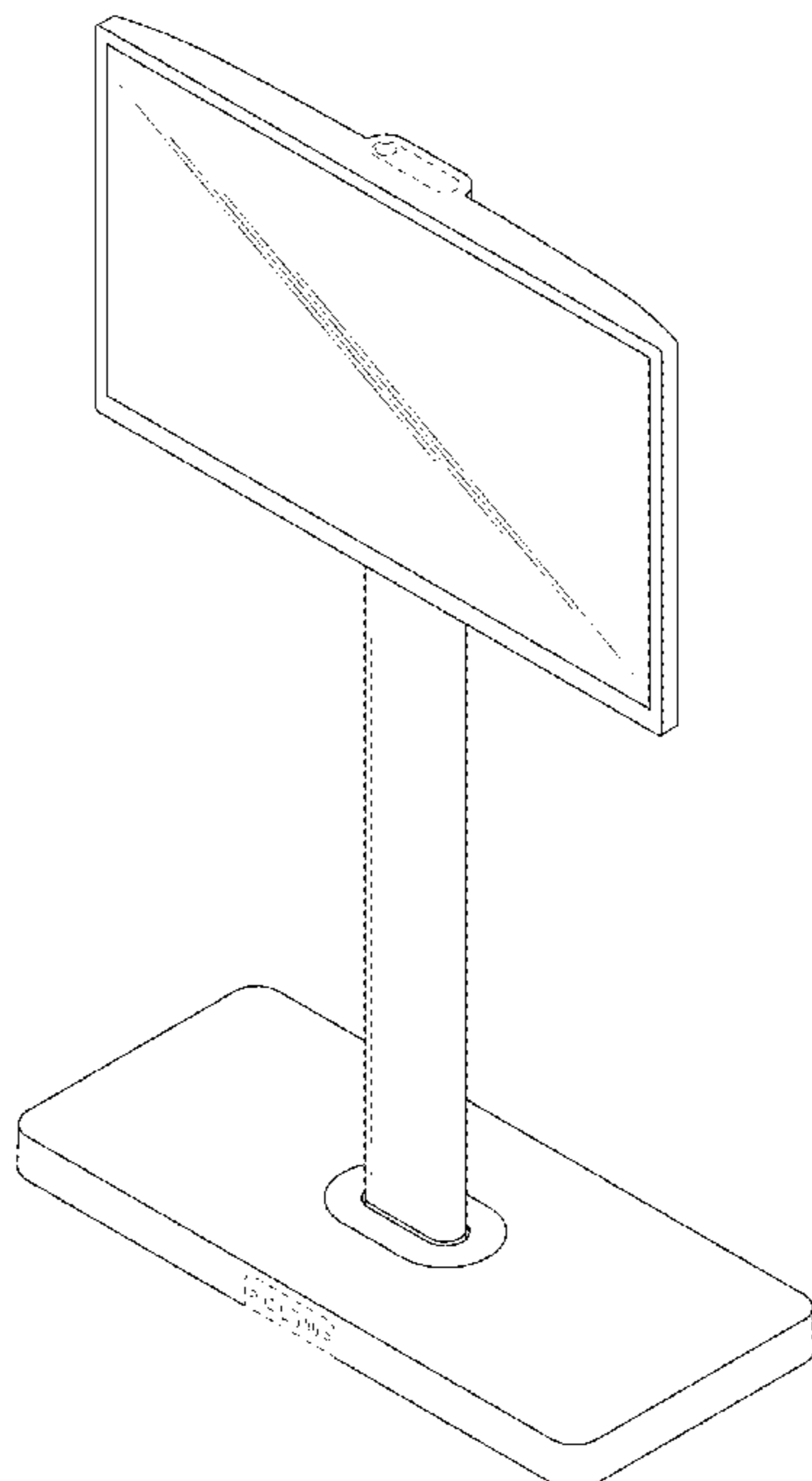
FIG. 1 is a top front perspective view of a monitor showing the claimed design;  
 FIG. 2 is a top rear perspective view thereof;  
 FIG. 3 is a front view thereof;  
 FIG. 4 is a rear view thereof;  
 FIG. 5 is a left side view thereof;  
 FIG. 6 is a right side view thereof;  
 FIG. 7 is a top view thereof; and,  
 FIG. 8 is a bottom view thereof.  
 The broken lines in the figures show portions of the monitor that form no part of the claimed design.

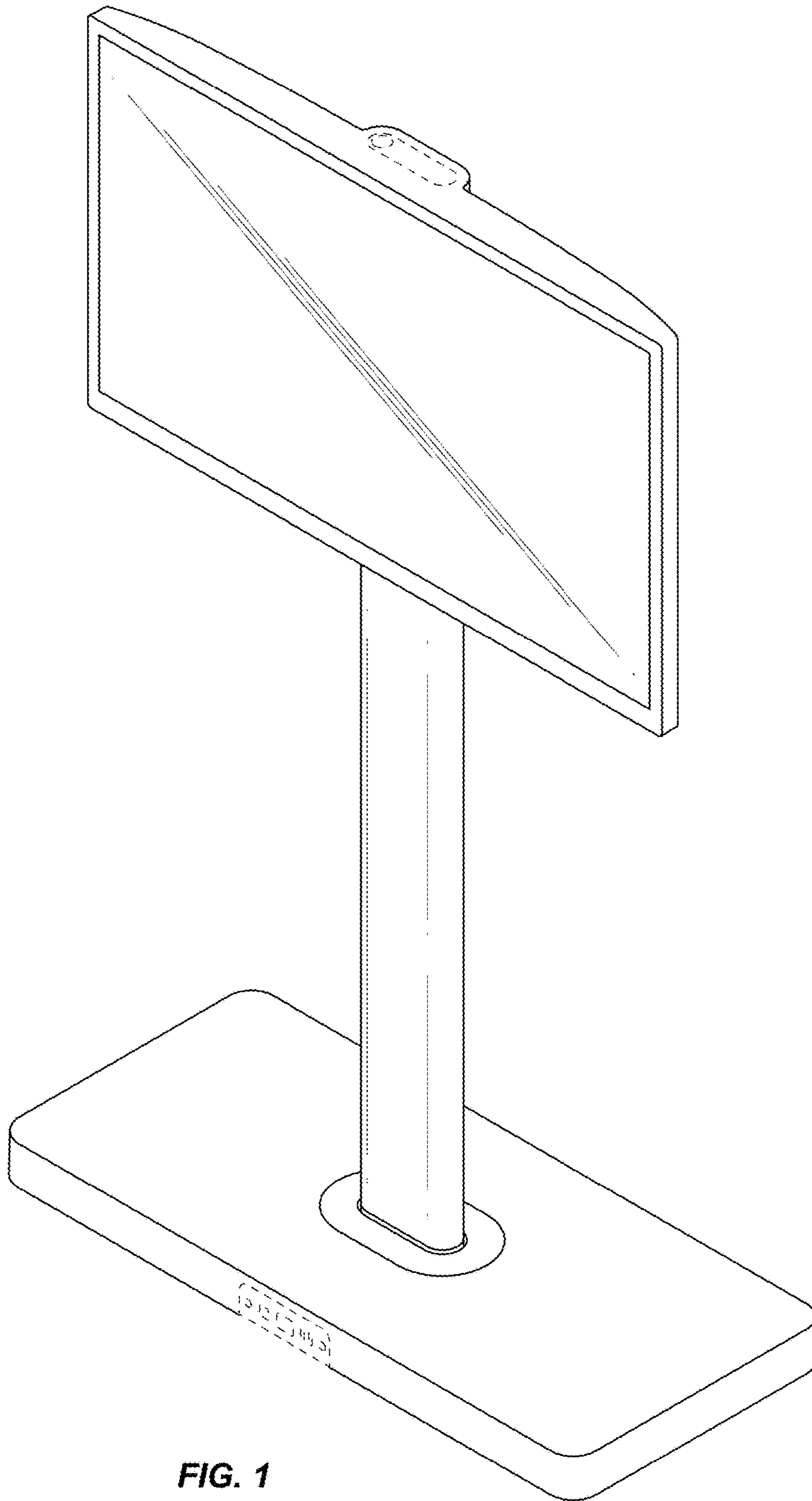
**1 Claim, 6 Drawing Sheets**

(56) **References Cited**

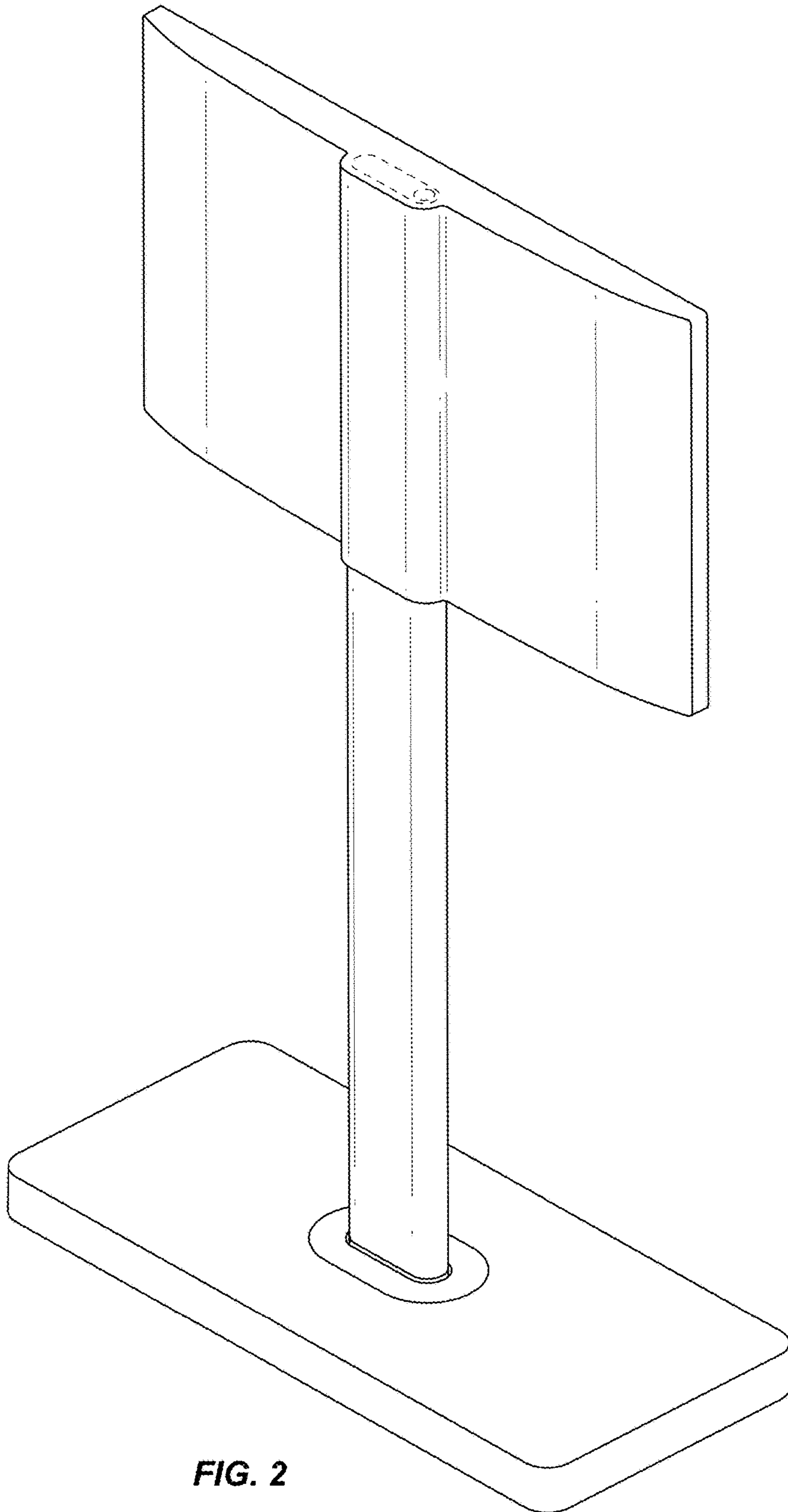
U.S. PATENT DOCUMENTS

4,329,800 A *	5/1982	Shuman	.....	F16L 37/105 40/606.14
D305,647 S *	1/1990	Kato	.....	D14/374

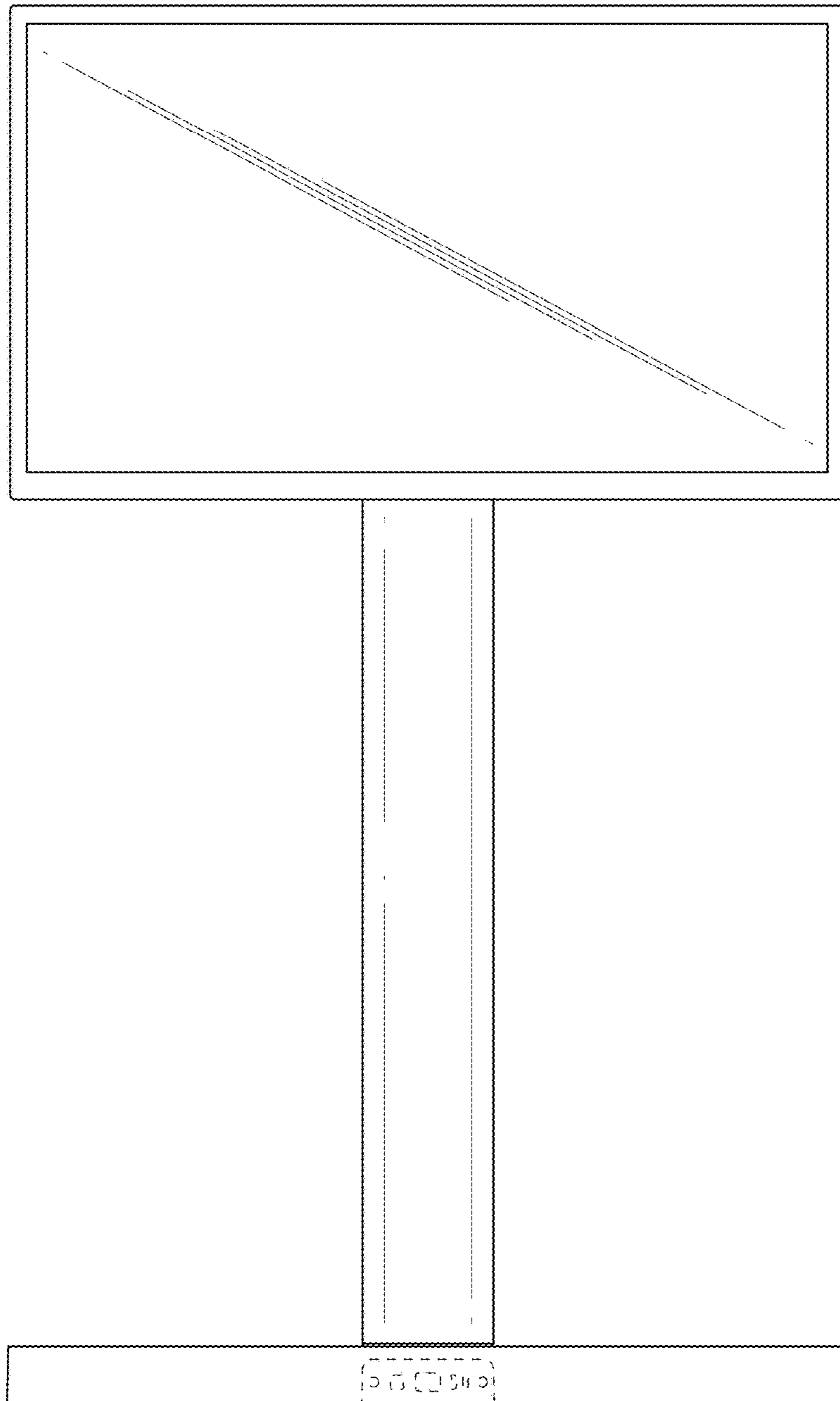




**FIG. 1**



**FIG. 2**



**FIG. 3**

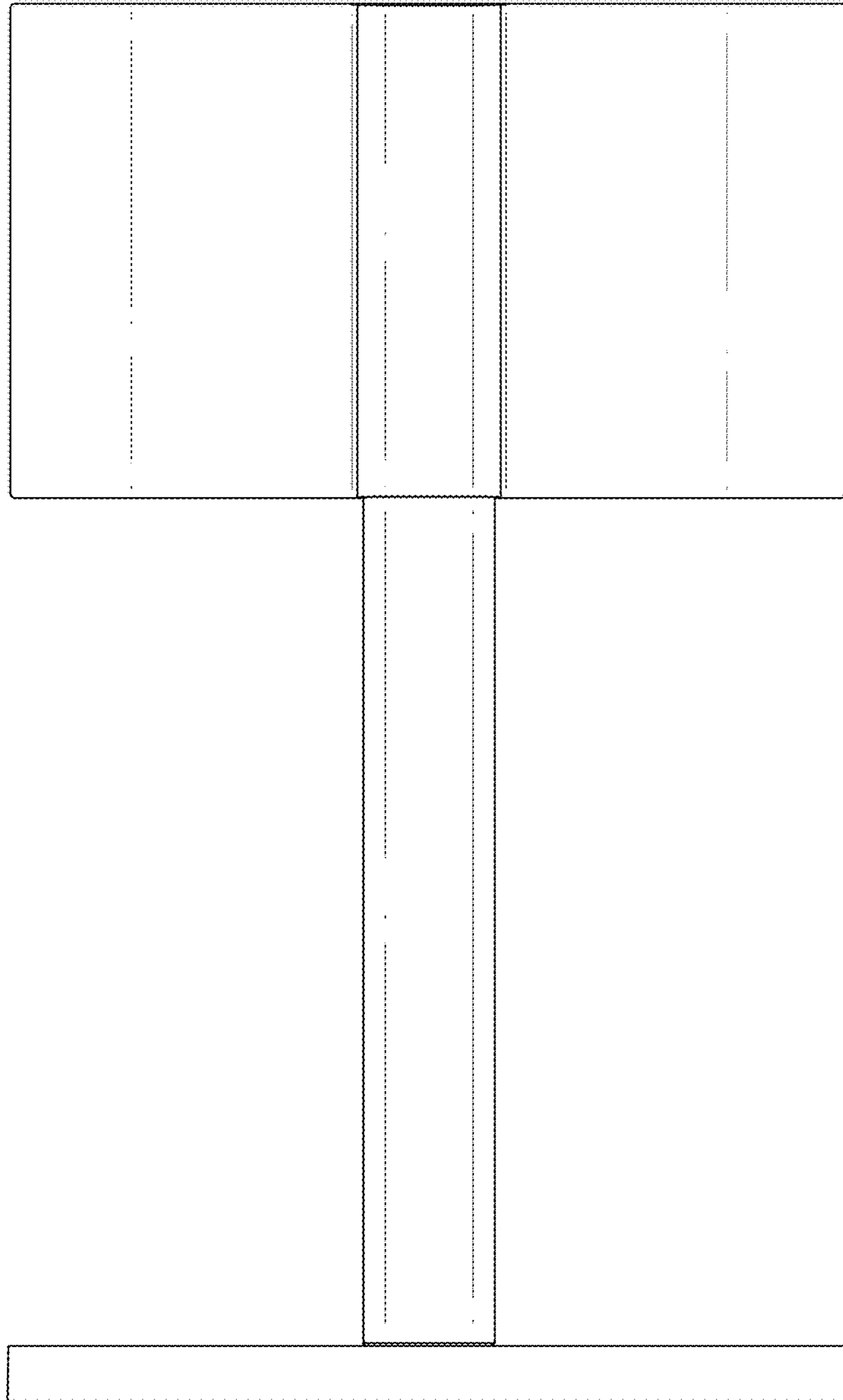
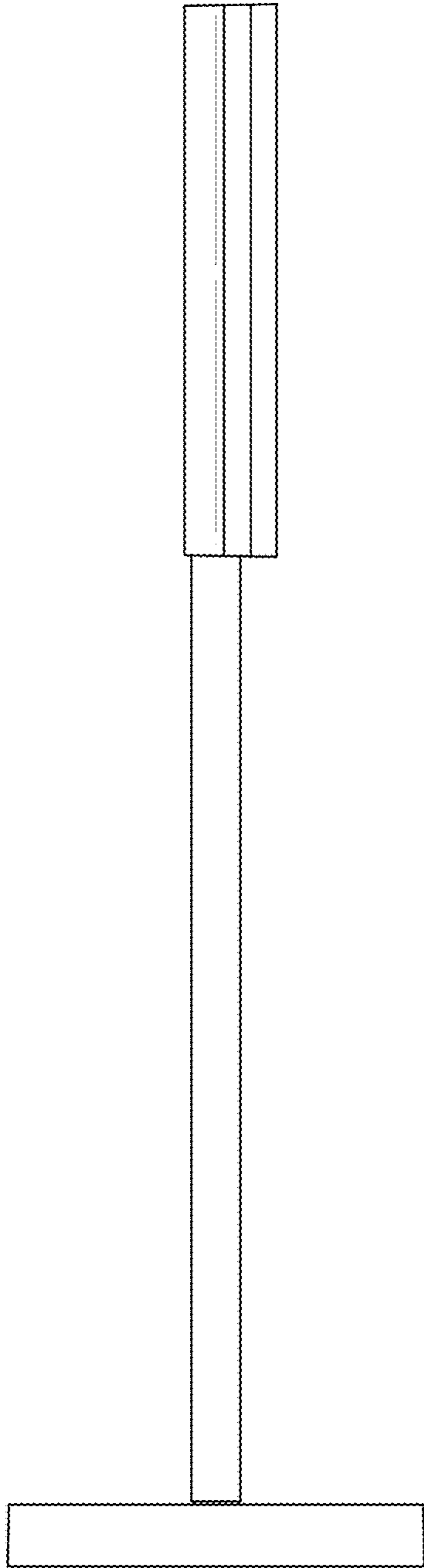
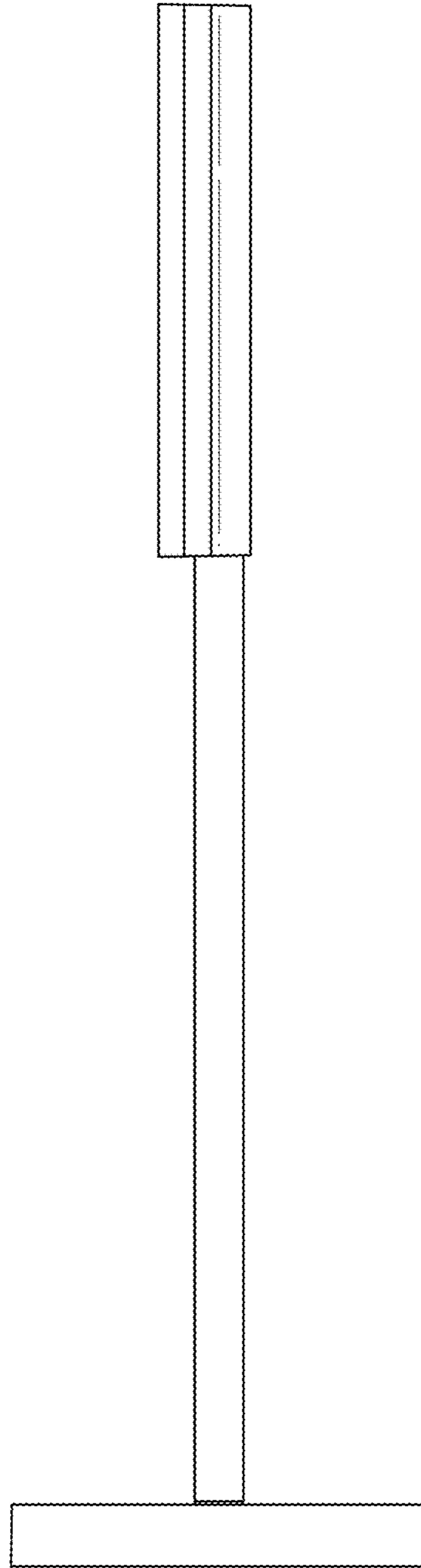


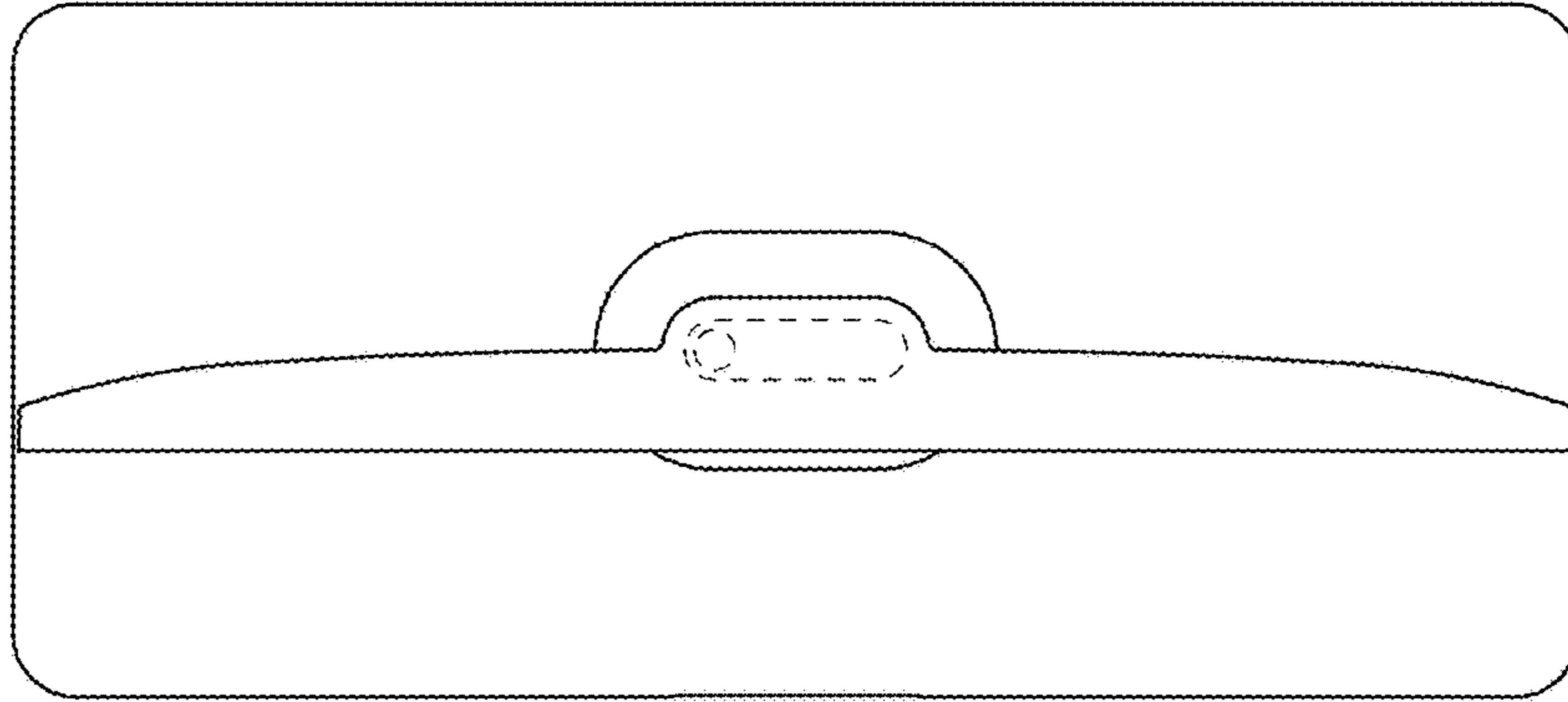
FIG. 4



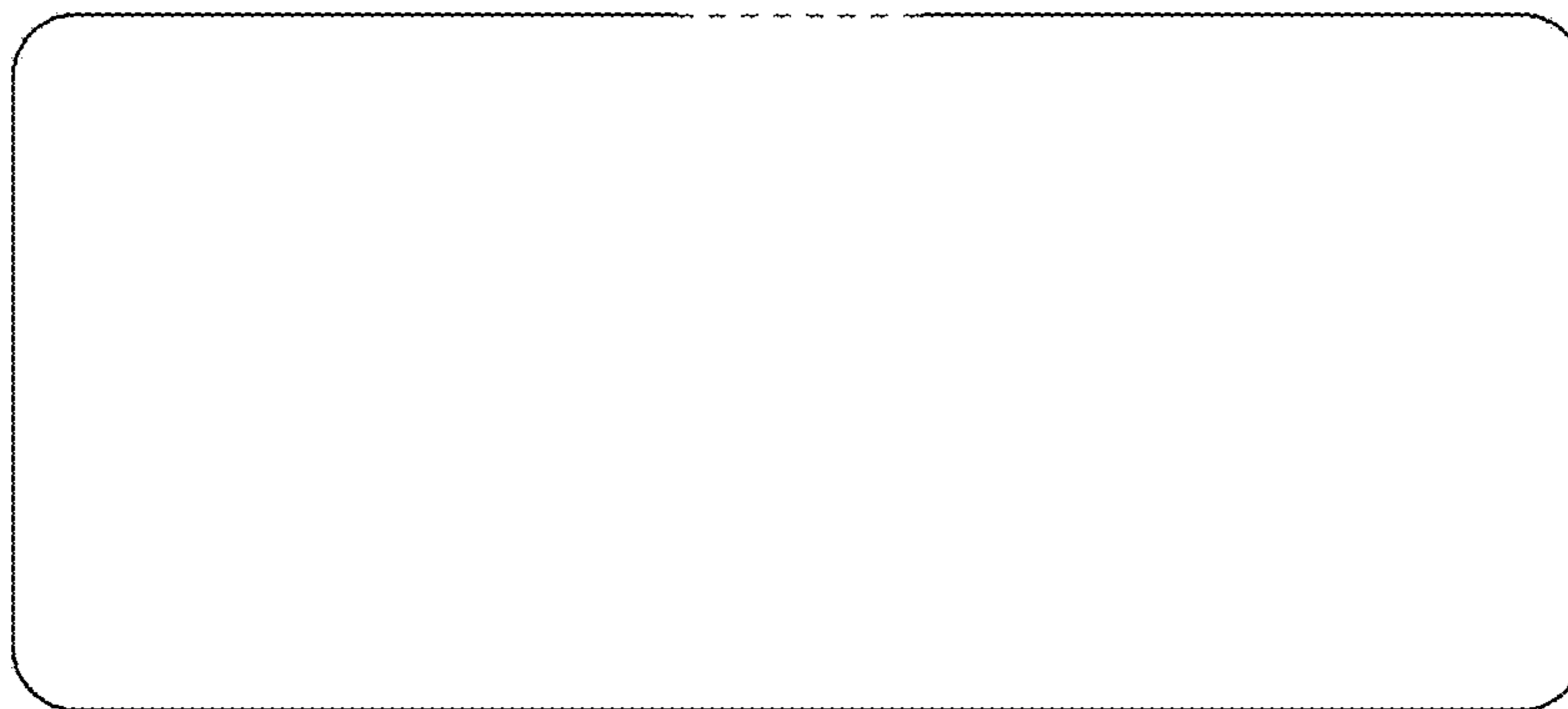
**FIG. 5**



**FIG. 6**



**FIG. 7**



**FIG. 8**