



US00D808964S

(12) **United States Design Patent** (10) **Patent No.:** **US D808,964 S**  
**Asamizu et al.** (45) **Date of Patent:** **\*\* Jan. 30, 2018**

(54) **DISPLAY**  
(71) Applicant: **Sakai Display Products Corporation**, Sakai-shi, Osaka (JP)  
(72) Inventors: **Tomohiro Asamizu**, Sakai (JP); **Hiroki Fukai**, Sakai (JP); **Noriaki Miyoshi**, Sakai (JP); **Shigeyoshi Okazaki**, Sakai (JP); **Takayuki Nakazawa**, Sakai (JP); **Motoaki Okitsu**, Sakai (JP); **Kohhei Nanbu**, Sakai (JP); **Naoki Hosoya**, Sakai (JP)  
(73) Assignee: **Sakai Display Products Corporation**, Sakai-shi, Osaka (JP)

*Primary Examiner* — Freda S Nunn  
(74) *Attorney, Agent, or Firm* — Bret E. Field; Bozicevic, Field & Francis LLP

(\*\*) Term: **15 Years**  
(21) Appl. No.: **29/576,330**  
(22) Filed: **Sep. 1, 2016**

(30) **Foreign Application Priority Data**  
Mar. 2, 2016 (JP) ..... 2016-4660

(51) **LOC (11) Cl.** ..... **14-02**  
(52) **U.S. Cl.**  
USPC ..... **D14/371**

(58) **Field of Classification Search**  
USPC ..... D14/371-375, 125-129, 336, 337, 341, D14/239; 341/12; 345/104, 156, 168, 345/173; 348/180, 184, 325, 739; 349/1, 349/2, 11, 62; 361/679.05-679.07, 361/679.21; D6/300, 308, 310, 661.3; D20/10  
CPC ..... G06F 1/16; G06F 1/1601; G06F 3/037; G06F 1/162; G06F 1/1613; G06F 1/133308; G06F 3/042; F16M 11/02; F16M 11/10;

(Continued)

(56) **References Cited**  
U.S. PATENT DOCUMENTS  
D343,299 S \* 1/1994 Olivier ..... D6/300  
5,619,816 A \* 4/1997 Ellison ..... A47G 1/141  
40/738

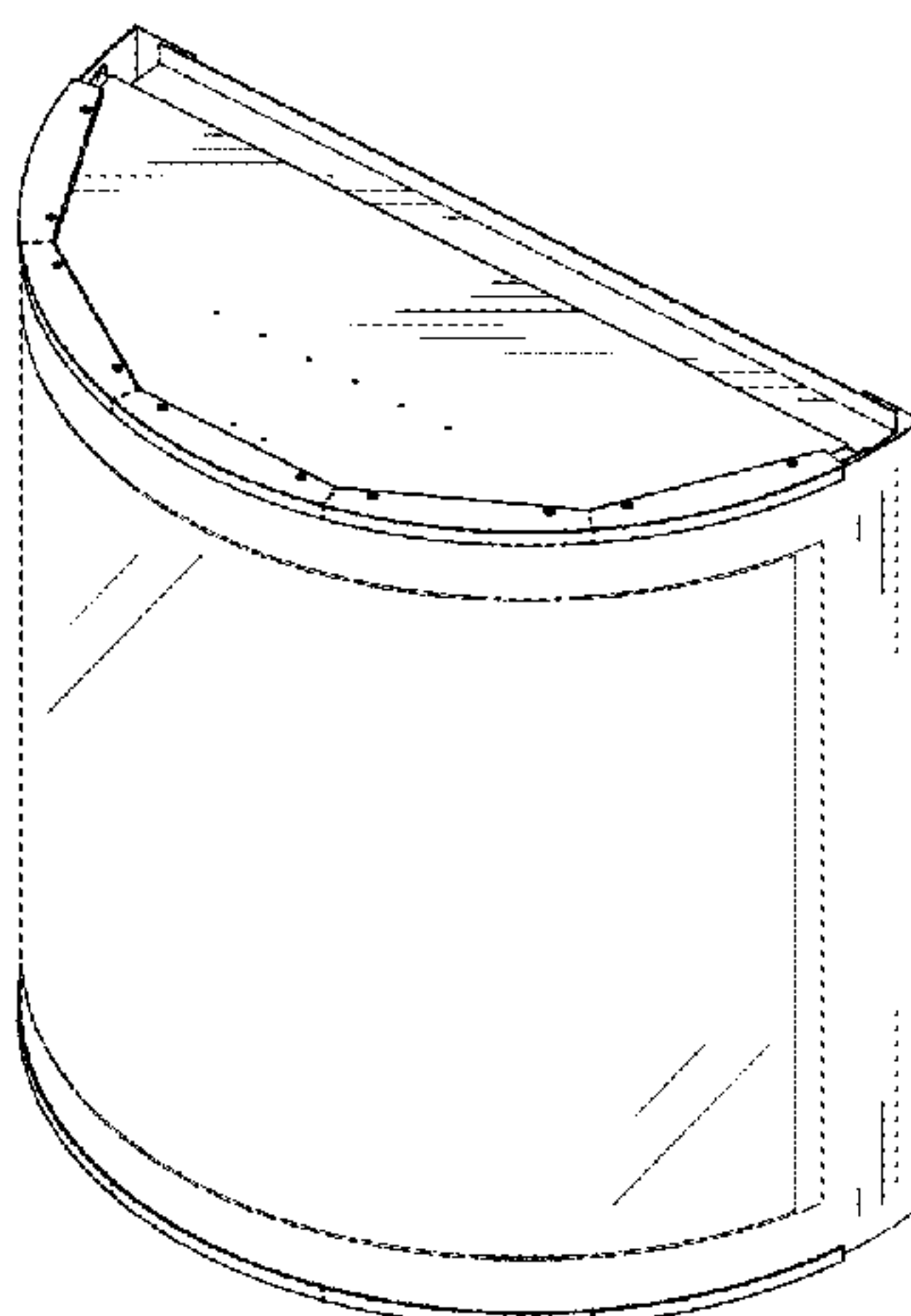
(Continued)

(57) **CLAIM**  
The ornamental design for display, as shown and described.

**DESCRIPTION**

FIG. 1 is a front view of the display.  
FIG. 2 is a rear view of the display.  
FIG. 3 is a left side view of the display.  
FIG. 4 is a top view of the display.  
FIG. 5 is a bottom view of the display.  
FIG. 6 is a perspective view of the display.  
FIG. 7 is a partially enlarged view of the display taken along line 7-7 in FIG. 1.  
FIG. 8 is a partially enlarged view of the display taken along line 8-8 in FIG. 1.  
FIG. 9 is a partially enlarged view of the display taken along line 9-9 in FIG. 2.  
FIG. 10 is a partially enlarged view of the display taken along line 10-10 in FIG. 3.  
FIG. 11 is a partially enlarged view of the display taken along line 11-11 in FIG. 3.  
FIG. 12 is a partially enlarged view of the display taken along line 12-12 in FIG. 4.  
FIG. 13 is a partially enlarged view of the display taken along line 13-13 in FIG. 4; and,  
FIG. 14 is a partially enlarged view of the display taken along line 14-14 in FIG. 5.  
Broken lines shown in the drawings represent environment only and form no part of the claimed design.  
The article is a display formed in a hollow semicylindrical shape.

**1 Claim, 7 Drawing Sheets**



(58) **Field of Classification Search**  
 CPC ..... F16M 11/00; F16M 11/06; F16M 11/18;  
               F16M 11/045; F16M 11/105; F16M  
               11/041; F16M 11/126; F16M 11/04;  
               F16M 13/02; F16M 11/24; A47F 5/00;  
               G09F 15/00; G09F 17/00; H01H 9/00;  
                                   A47G 1/06  
 See application file for complete search history.

(56) **References Cited**

U.S. PATENT DOCUMENTS

D450,192 S \* 11/2001 Whitcomb ..... D6/310  
 D529,722 S \* 10/2006 Schaefer ..... D6/300  
 D603,190 S \* 11/2009 Hill ..... D6/661.3  
 D678,697 S \* 3/2013 Hill ..... D6/661.3  
 D680,090 S \* 4/2013 Serota ..... D14/126  
 D702,683 S \* 4/2014 Yeung ..... D14/371  
 8,832,980 B2 \* 9/2014 Hill ..... G09F 1/06  
                                   40/603  
 8,922,531 B2 \* 12/2014 Lee ..... G06F 1/1652  
                                   345/173

8,982,545 B2 \* 3/2015 Kim ..... B32B 17/064  
                                   174/255  
 D735,194 S \* 7/2015 Kim ..... D14/374  
 D740,800 S \* 10/2015 Lim ..... D14/300  
 D743,705 S \* 11/2015 Cisler, II ..... D6/300  
 D747,718 S \* 1/2016 Drabant ..... D14/371  
 2006/0273304 A1 \* 12/2006 Cok ..... H01L 51/0096  
                                   257/40  
 2008/0002161 A1 \* 1/2008 Streid ..... G03B 21/32  
                                   353/98  
 2009/0161048 A1 \* 6/2009 Satake ..... G02F 1/133305  
                                   349/110  
 2011/0163999 A1 \* 7/2011 Lin ..... G06F 1/1601  
                                   345/176  
 2013/0321740 A1 \* 12/2013 An ..... H05K 5/0217  
                                   349/58  
 2015/0168792 A1 \* 6/2015 Woo ..... G02F 1/1333  
                                   349/110  
 2015/0189768 A1 \* 7/2015 Kishida ..... H05K 1/028  
                                   361/749  
 2015/0192481 A1 \* 7/2015 Nguyen ..... G01L 1/22  
                                   345/206

\* cited by examiner

FIG. 1

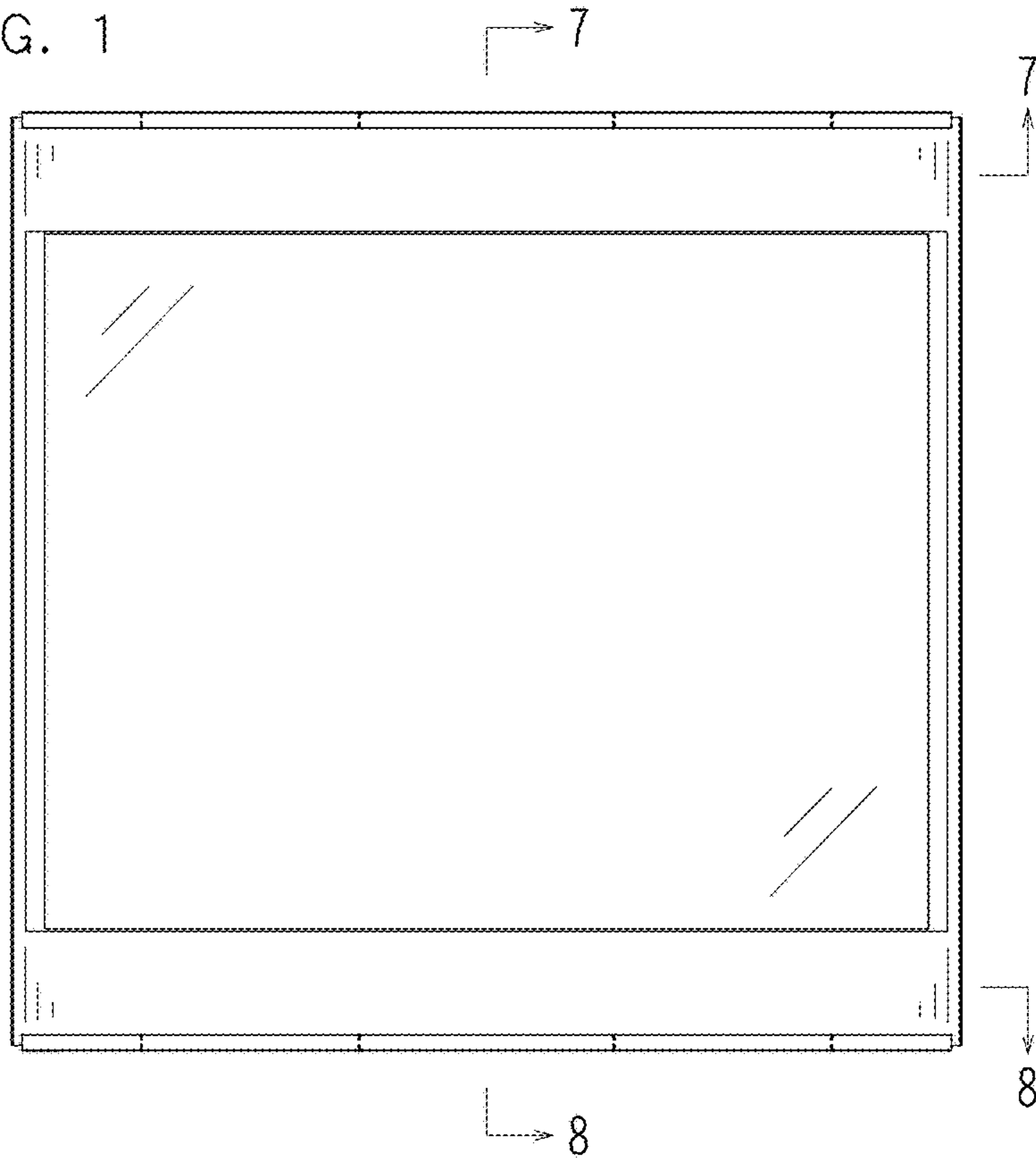


FIG. 2

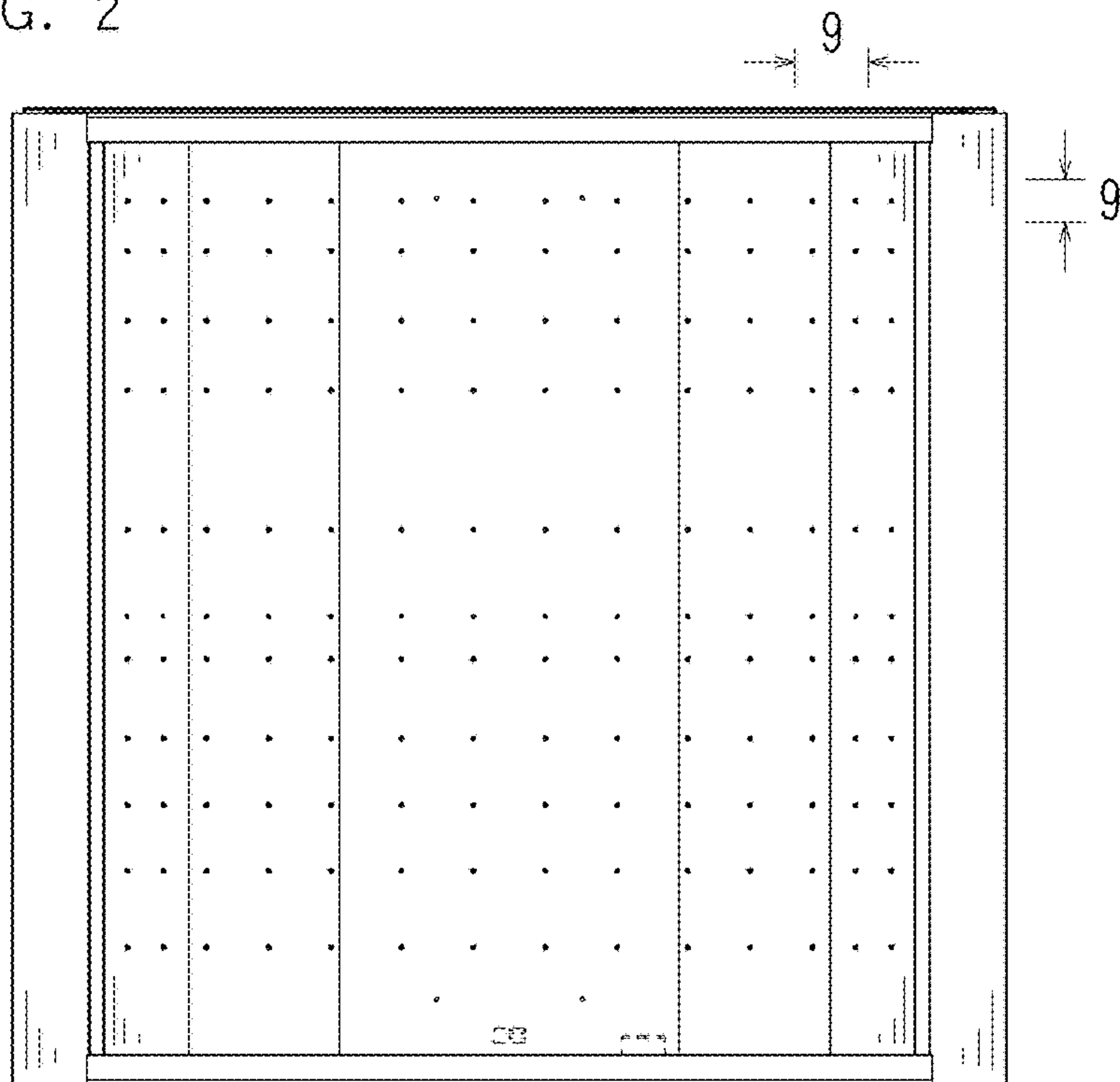


FIG. 3

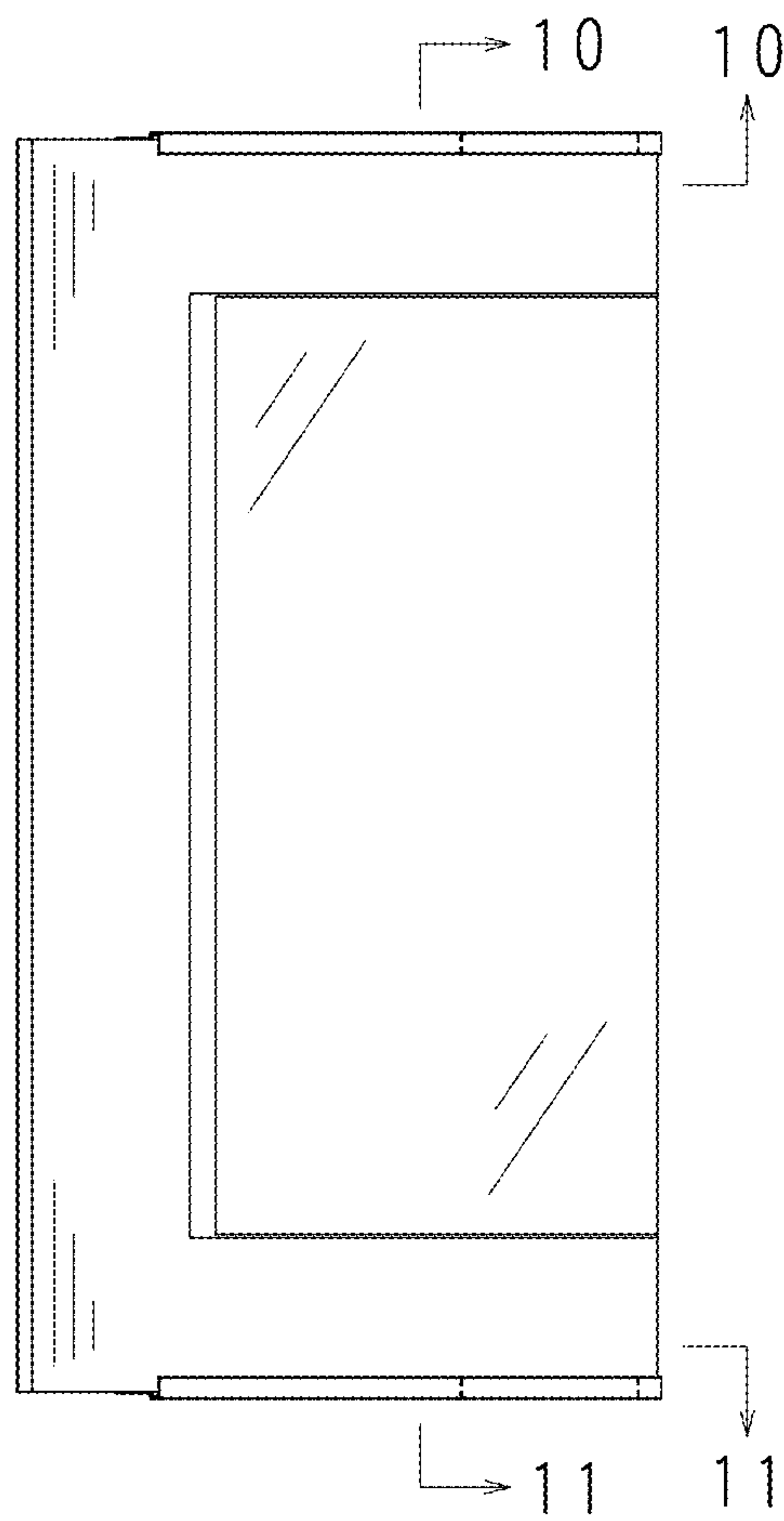


FIG. 4

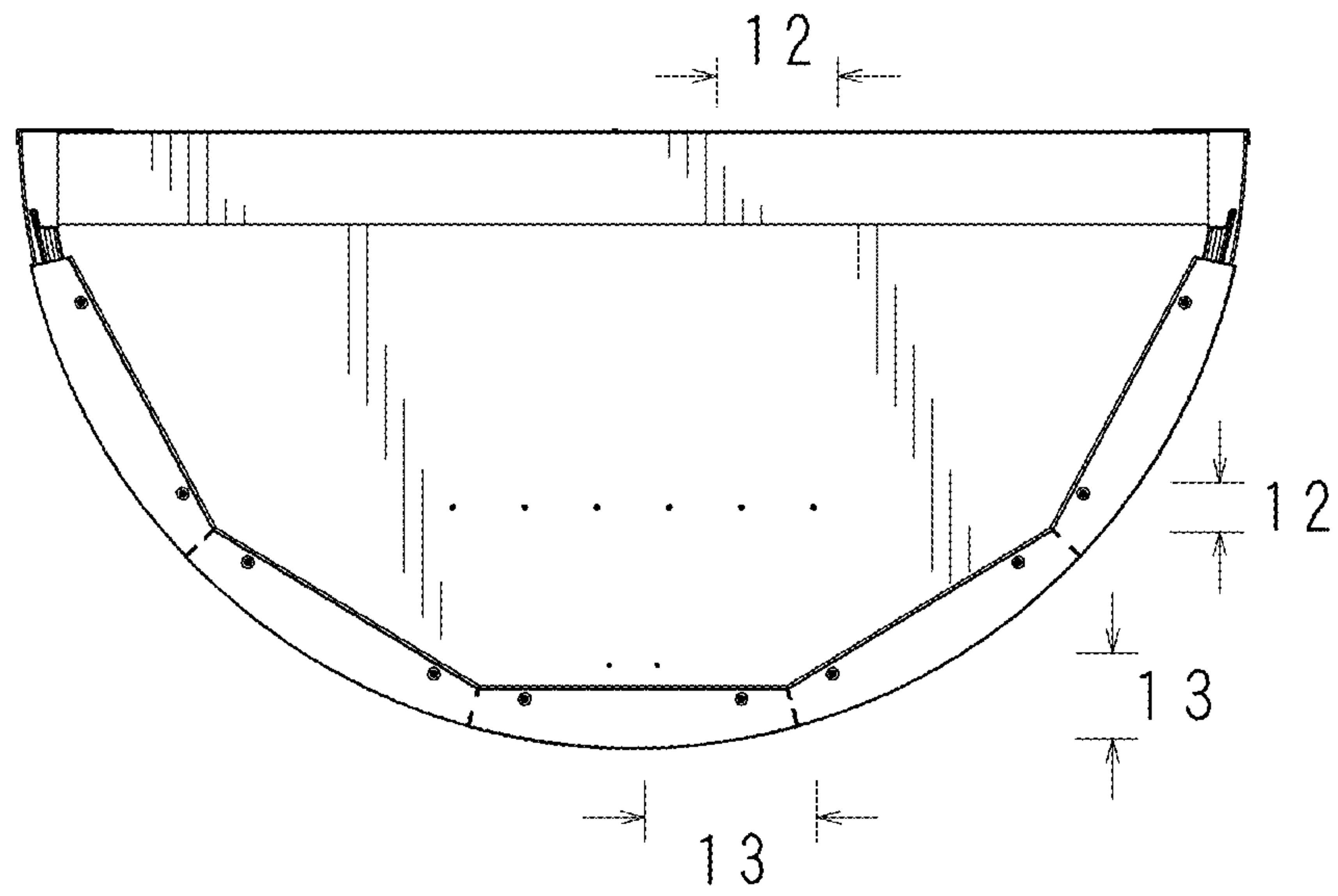


FIG. 5

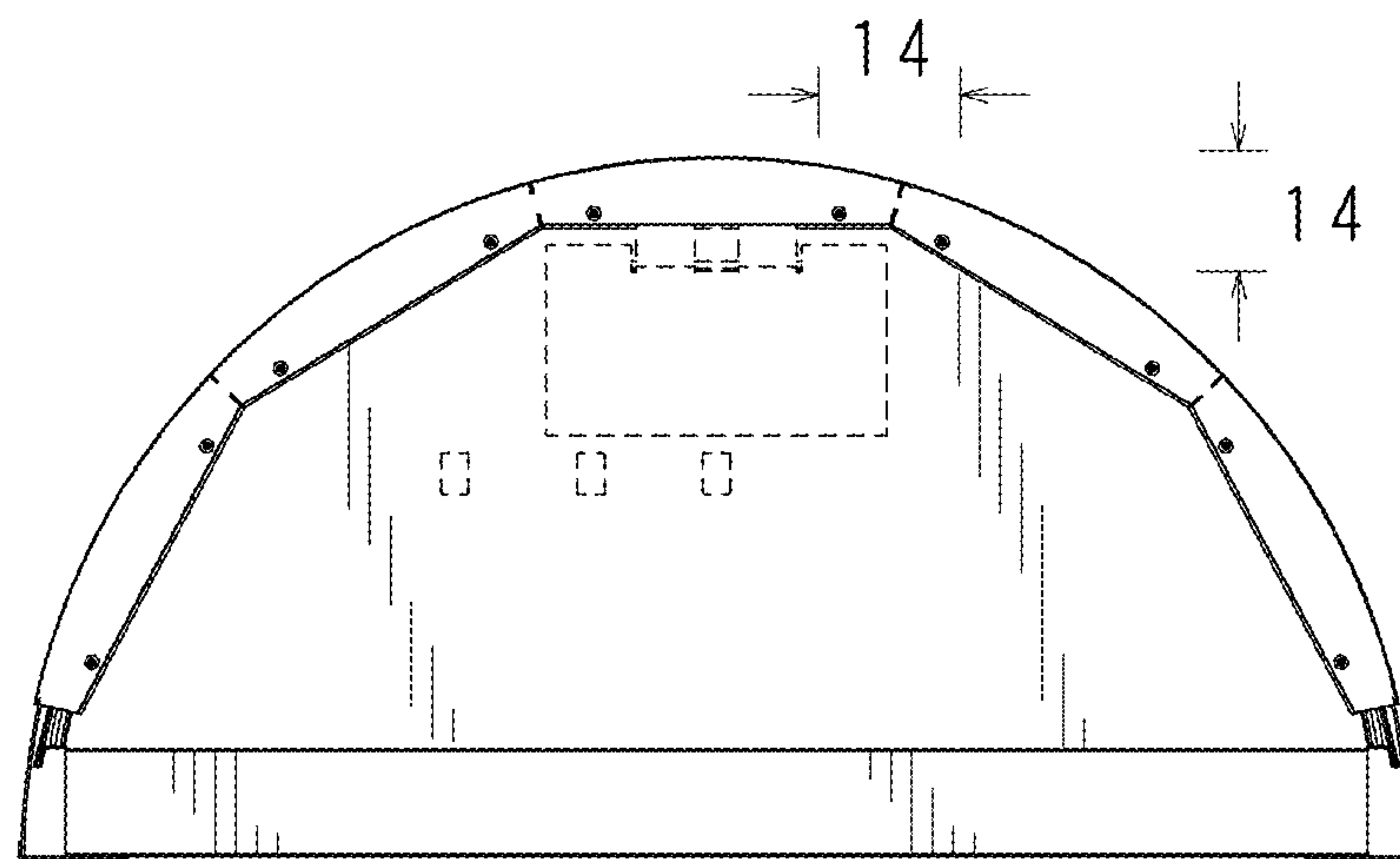


FIG. 6

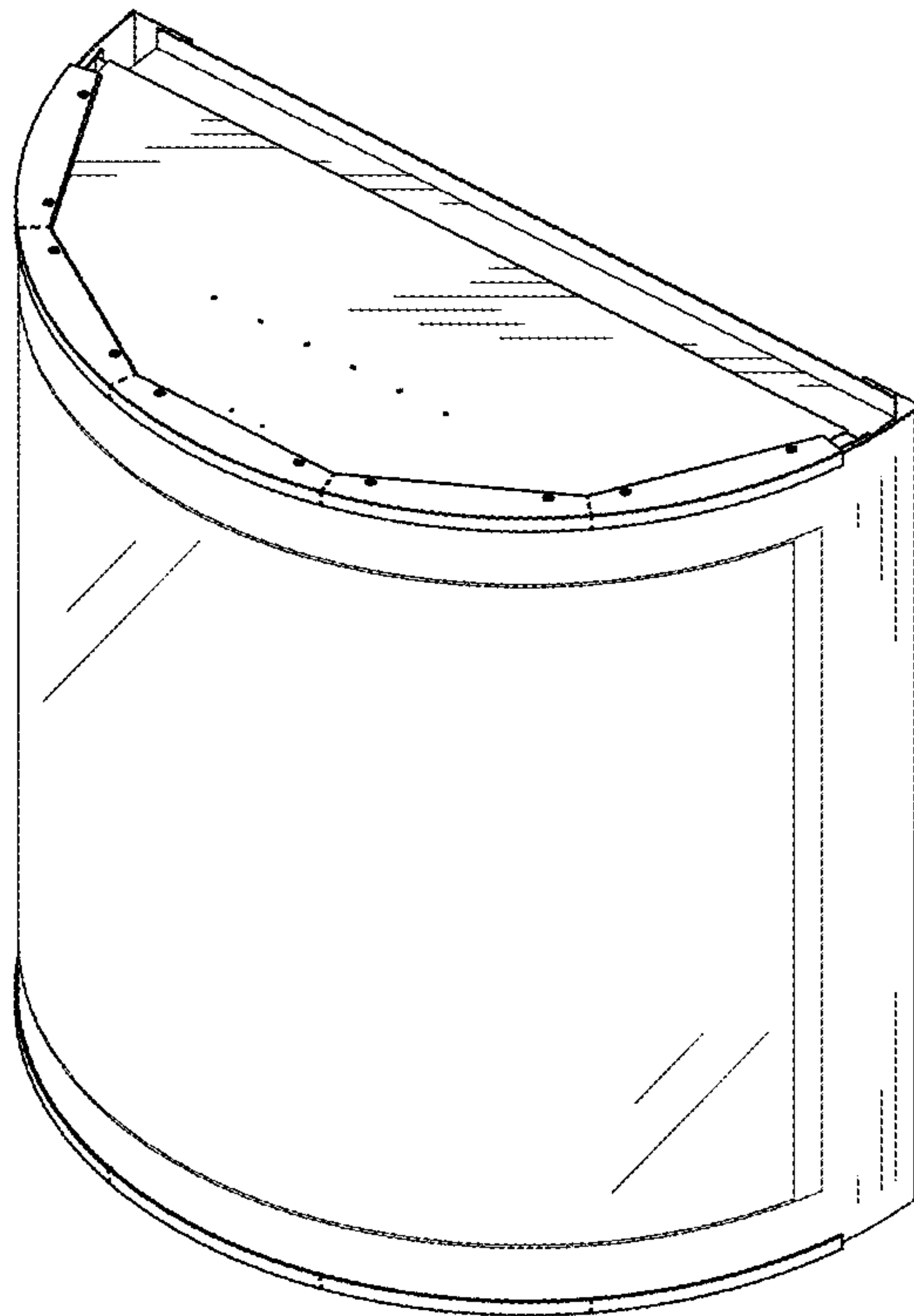




FIG. 7

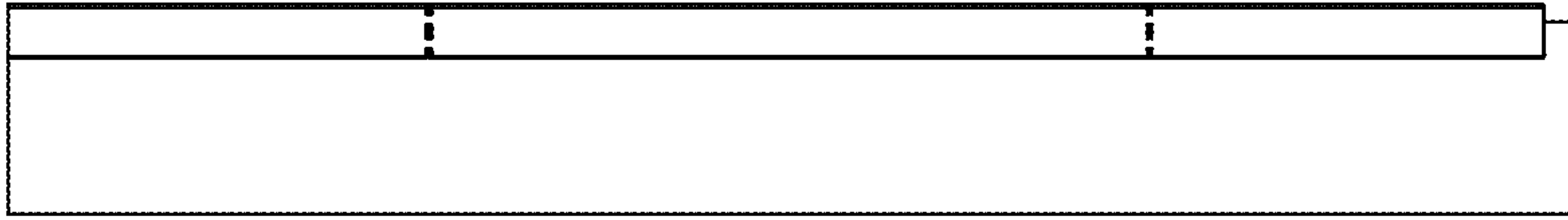


FIG. 8

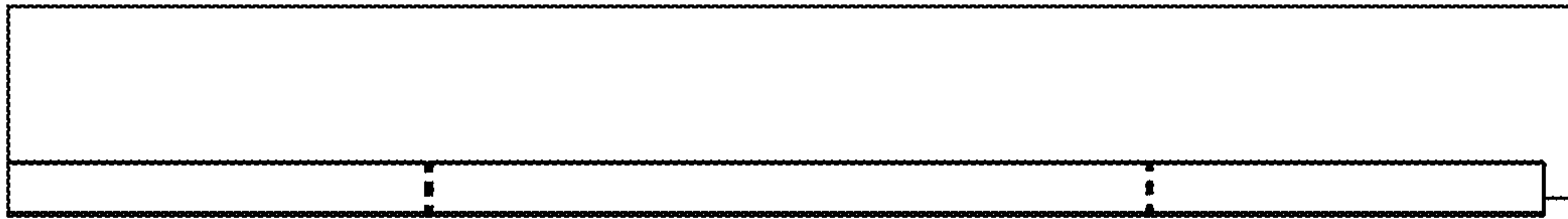


FIG. 9

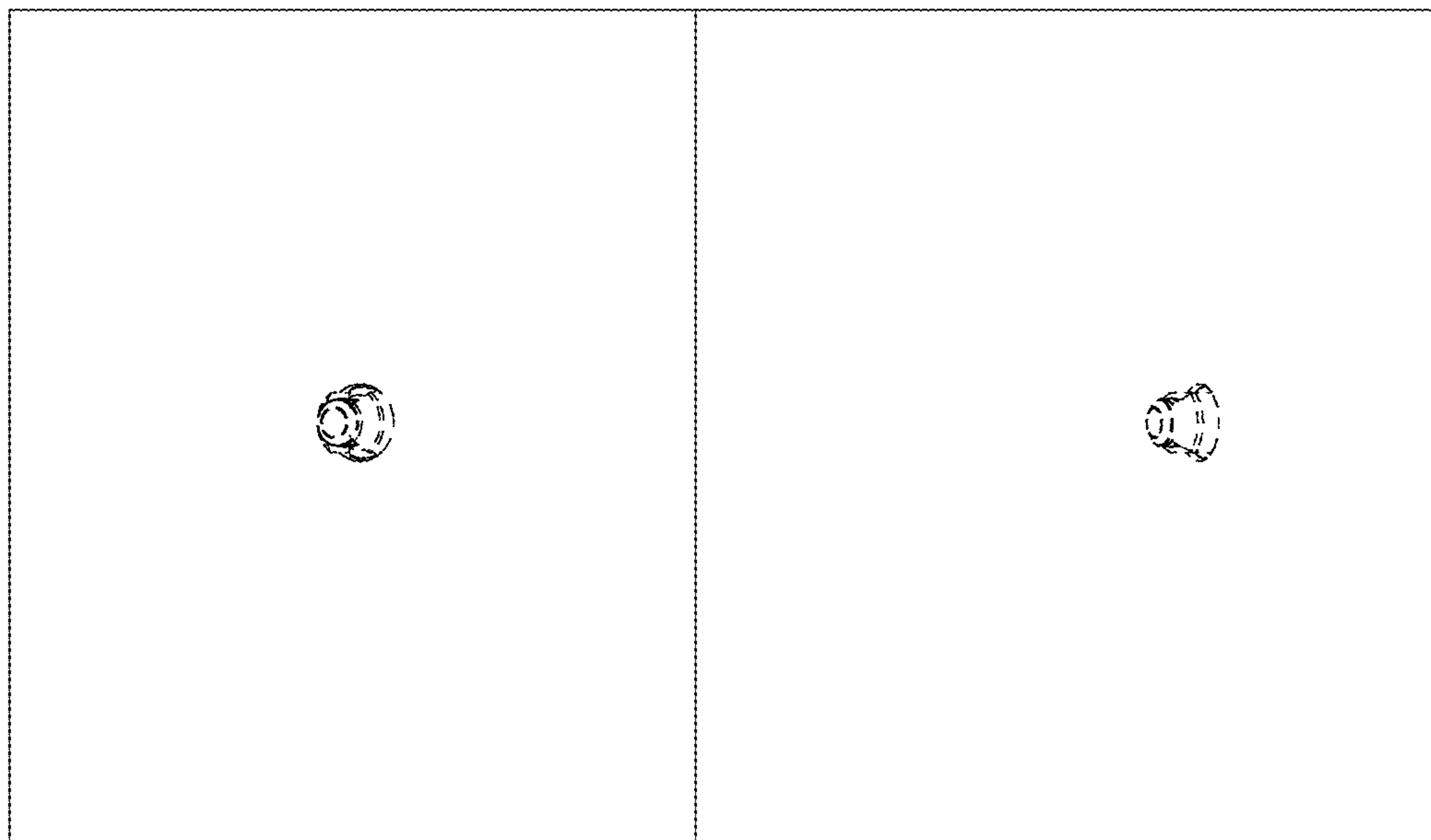


FIG. 10

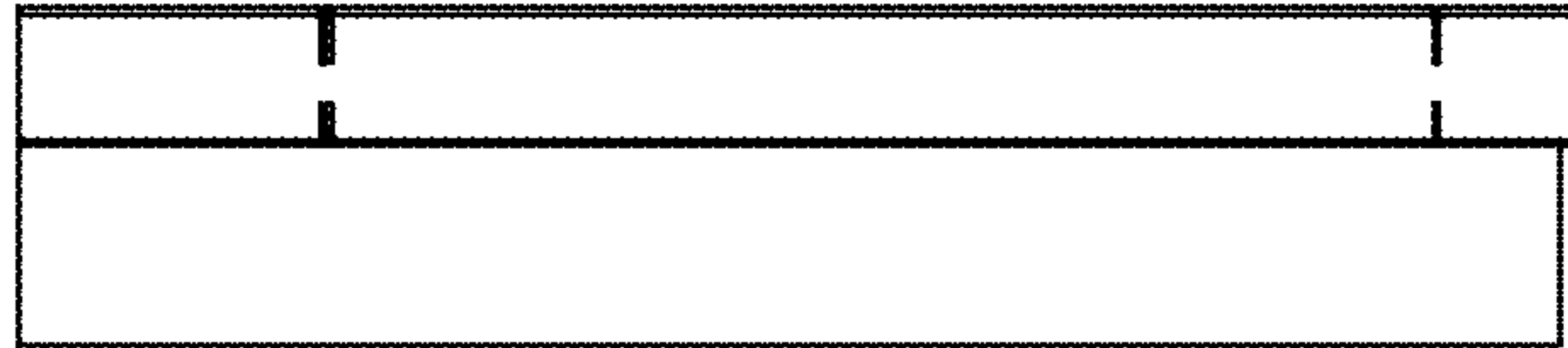


FIG. 11

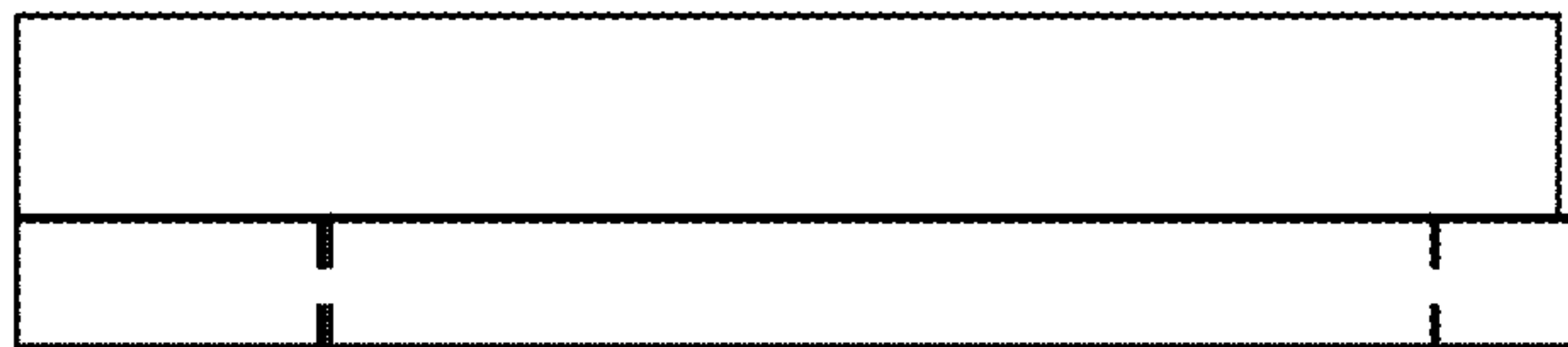




FIG. 12



FIG. 13

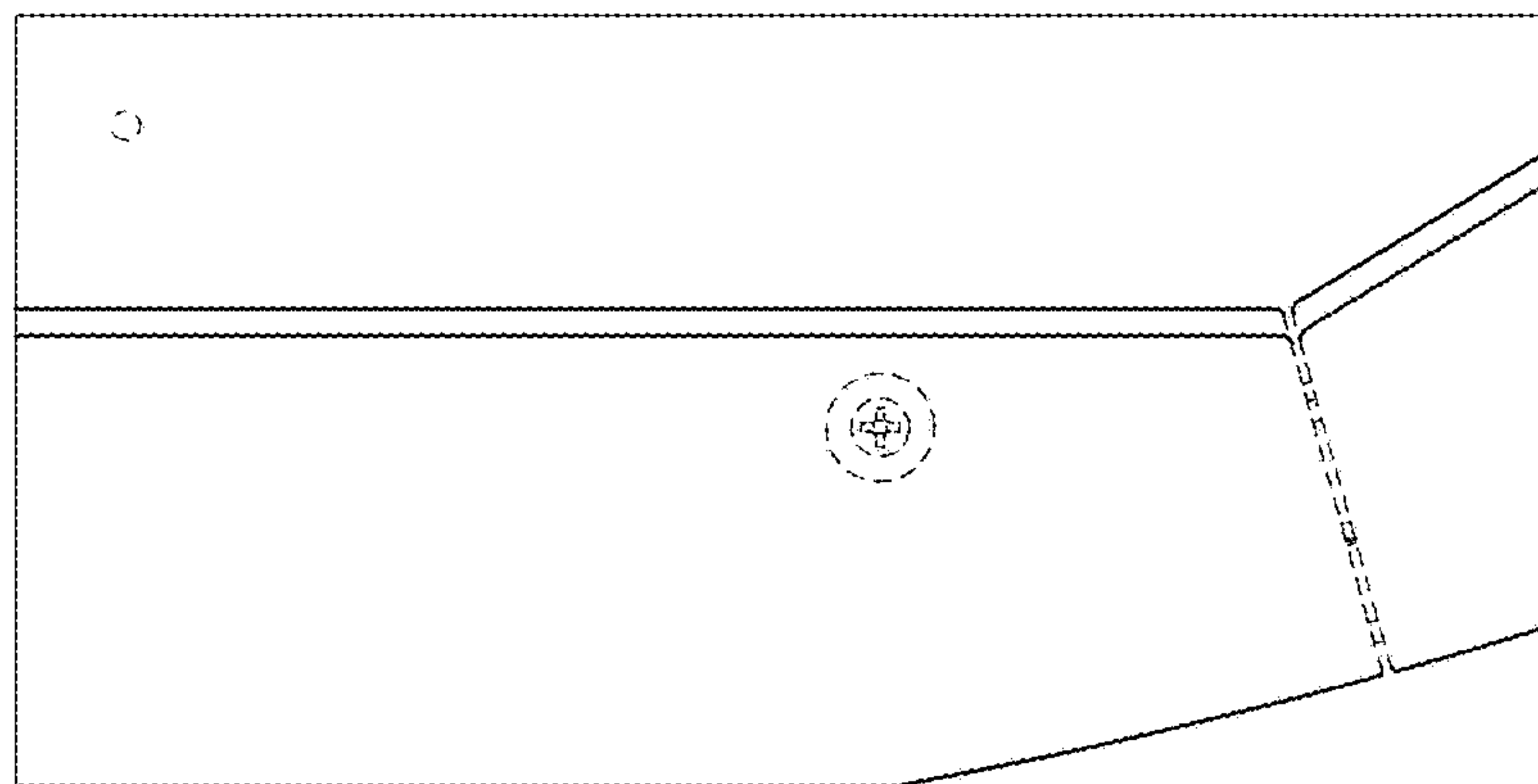


FIG. 14

