



US00D808962S

(12) **United States Design Patent** (10) **Patent No.:** **US D808,962 S**  
**Wu** (45) **Date of Patent:** **\*\* Jan. 30, 2018**

(54) **SMART BAND**

(71) Applicant: **Shenzhen DO Intelligent Technology Co., Ltd.**, Shenzhen (CN)

(72) Inventor: **Da-Jun Wu**, Shenzhen (CN)

(73) Assignee: **SHENZHEN DO INTELLIGENT TECHNOLOGY CO., LTD.**, Shenzhen (CN)

(\*\*) Term: **15 Years**

(21) Appl. No.: **29/582,087**

(22) Filed: **Oct. 25, 2016**

(30) **Foreign Application Priority Data**

Oct. 11, 2016 (CN) ..... 2016 3 0499257

(51) **LOC (11) Cl.** ..... **14-02**

(52) **U.S. Cl.**

USPC ..... **D14/344**

(58) **Field of Classification Search**

USPC ... D14/344, 138 R, 144, 341, 358, 205, 223, D14/249; D10/30-39, 70, 98; D11/3, D11/93-94; D24/167, 169, 186-187, D24/106, 173, 174, 175; 361/679.03; 379/433.1

CPC .. A41D 1/002; G06F 1/04; G06F 1/08; G06F 1/10; G06F 1/14; G06F 1/1626; G06F 1/1628; G06F 1/163; G06F 1/1635; G06F 1/3203; G06Q 20/10; G06Q 20/12; G06Q 20/108; G06Q 20/145; H04B 1/3833; H04B 1/385; H04B 1/3888; H04M 1/02; H04M 1/03; H04M 1/04; H04M 1/05; H04M 1/667; H04M 1/6058; Y02B 60/1217

See application file for complete search history.

(56) **References Cited**

U.S. PATENT DOCUMENTS

D564,367 S *	3/2008	Molyneux	.....	D10/31
8,370,549 B2 *	2/2013	Burton	.....	A63B 24/00 703/1
D714,179 S *	9/2014	Park	.....	D11/3
D715,668 S *	10/2014	Roush	.....	D10/70
D724,453 S *	3/2015	Ogihara	.....	D10/70
D727,183 S *	4/2015	Park	.....	D10/70
D729,650 S *	5/2015	Phillips	.....	D10/32
D730,347 S *	5/2015	Jung	.....	D14/344
D735,587 S *	8/2015	Squires	.....	D10/32
D751,069 S *	3/2016	Choi	.....	D10/32
D755,177 S *	5/2016	Jung	.....	D14/344

(Continued)

OTHER PUBLICATIONS

Sports Smart LED Watch. One Touch Button for Date/Year, posted Aug. 26, 2016, [retrieved Sep. 27, 2017]. Retrieved from Internet, < URL: <http://www.11street.my/productdetail/sports-smart-led-watch-one-touch-button-for-date-13058150> >.\*

(Continued)

*Primary Examiner* — Barbara Fox  
*Assistant Examiner* — Kristin E Reed  
(74) *Attorney, Agent, or Firm* — WPAT, PC

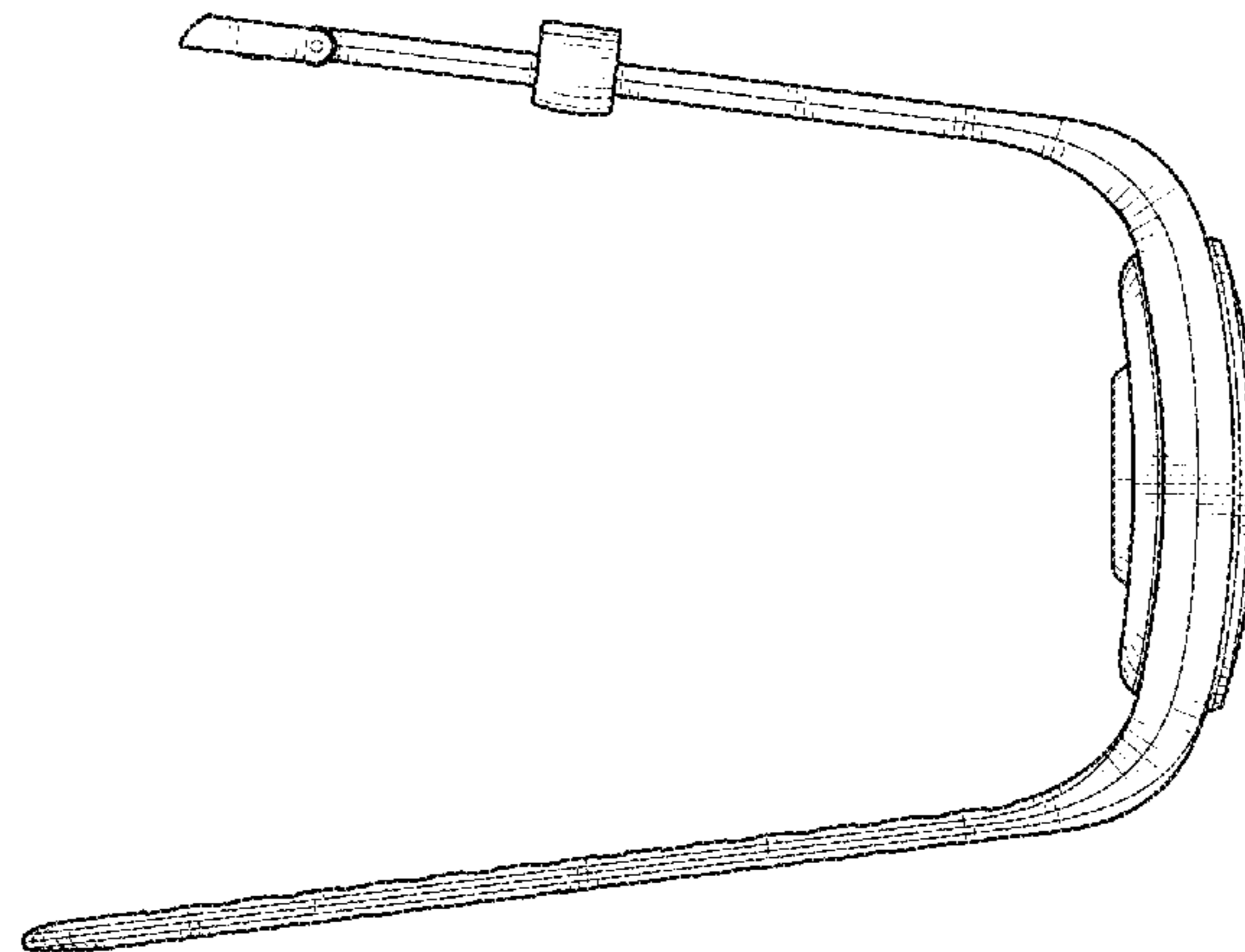
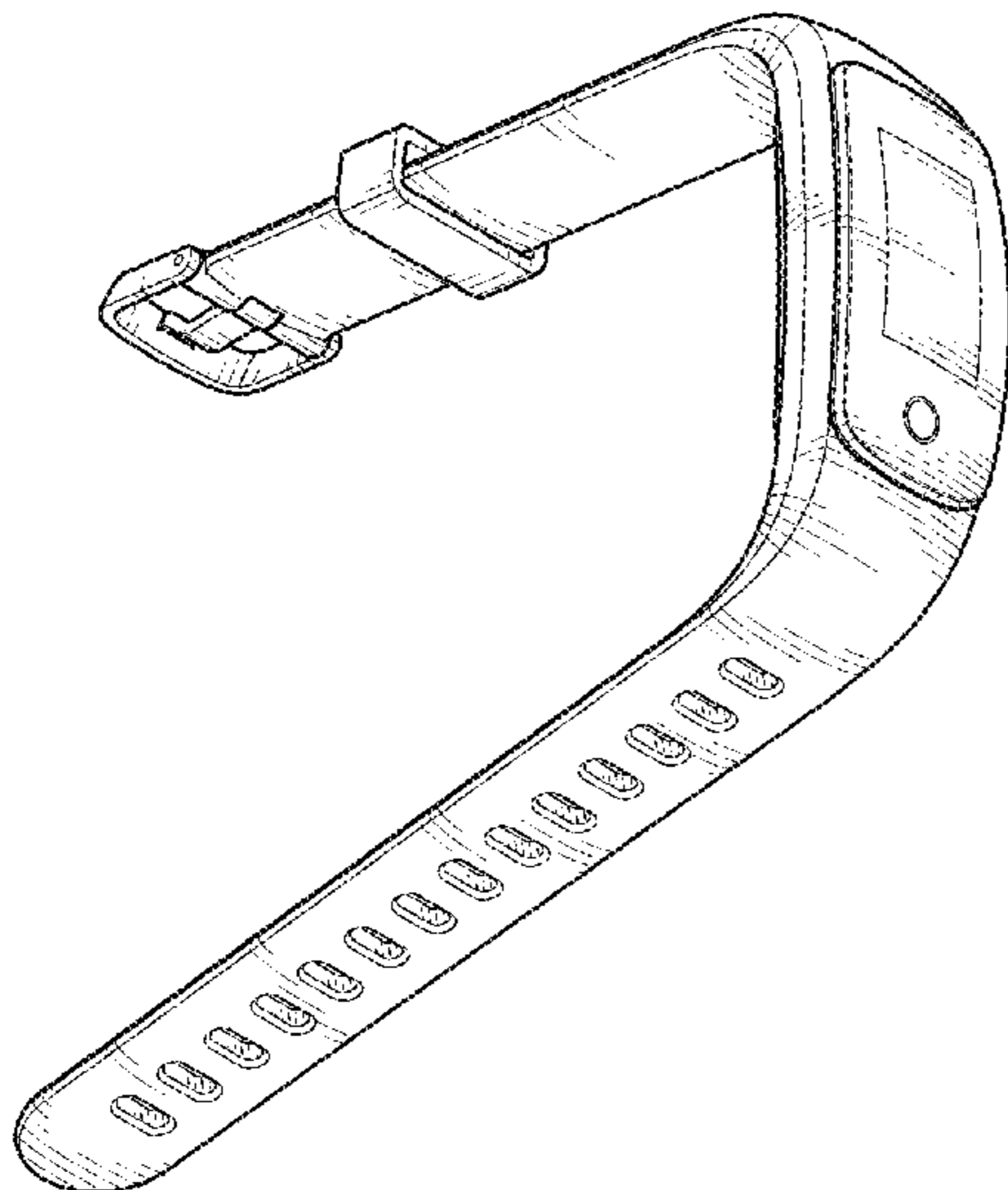
(57) **CLAIM**

The ornamental design for a smart band, as shown and described in the drawings.

**DESCRIPTION**

FIG. 1 is a perspective view of the smart band showing my new design.  
FIG. 2 is a front view thereof;  
FIG. 3 is a back view thereof;  
FIG. 4 is a left view thereof;  
FIG. 5 is a right view thereof;  
FIG. 6 is a top view thereof;  
FIG. 7 is a bottom view thereof; and,  
FIG. 8 is another perspective view thereof.

**1 Claim, 8 Drawing Sheets**



(56)

**References Cited**

U.S. PATENT DOCUMENTS

D770,321 S \* 11/2016 Murphy ..... D11/3  
D787,960 S \* 5/2017 Park ..... D10/39  
D796,045 S \* 8/2017 Henning ..... D14/344  
9,730,509 B2 \* 8/2017 Lee ..... A45F 5/00

OTHER PUBLICATIONS

Garmin vivosmart HR Activity Tracker with Wrist-Based Heart Rate Monitor (Regular, Midnight Blue), posted Apr. 13, 2016, [retrieved Sep. 27, 2017]. Retrieved from Internet, <URL: [https://www.bhphotovideo.com/c/product/1195603-REG/garmin\\_010\\_01955\\_08\\_vivosmart\\_hr\\_activity\\_tracker.html](https://www.bhphotovideo.com/c/product/1195603-REG/garmin_010_01955_08_vivosmart_hr_activity_tracker.html) >.\*

Walkingspree to Introduce Bluetooth Wireless Rechargeable Activity Tracker, posted Dec. 19, 2013, [retrieved Sep. 27, 2017]. Retrieved from Internet, <URL: <http://www.walkingspree.com/walkingspree-to-introduce-bluetooth-wireless-rechargeable-activity-tracker/> >.\*

Samsung introduces Gear Fit activity tracker, posted Feb. 24, 2014, [retrieved Sep. 27, 2017]. Retrieved from Internet, <URL: <https://liliputing.com/2014/02/samsung-introduces-gear-fit-activity-tracker.html> >.\*

\* cited by examiner

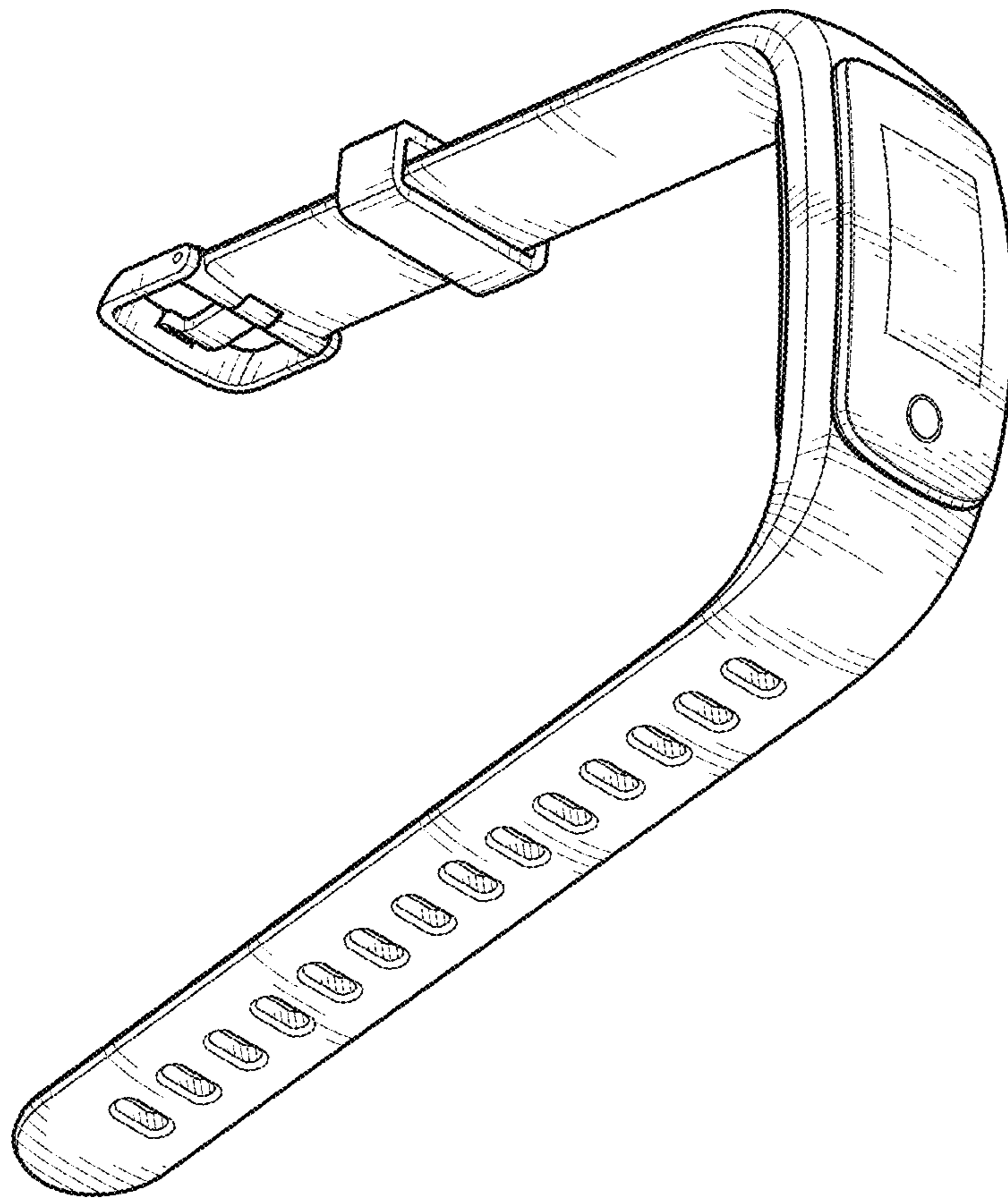


FIG. 1

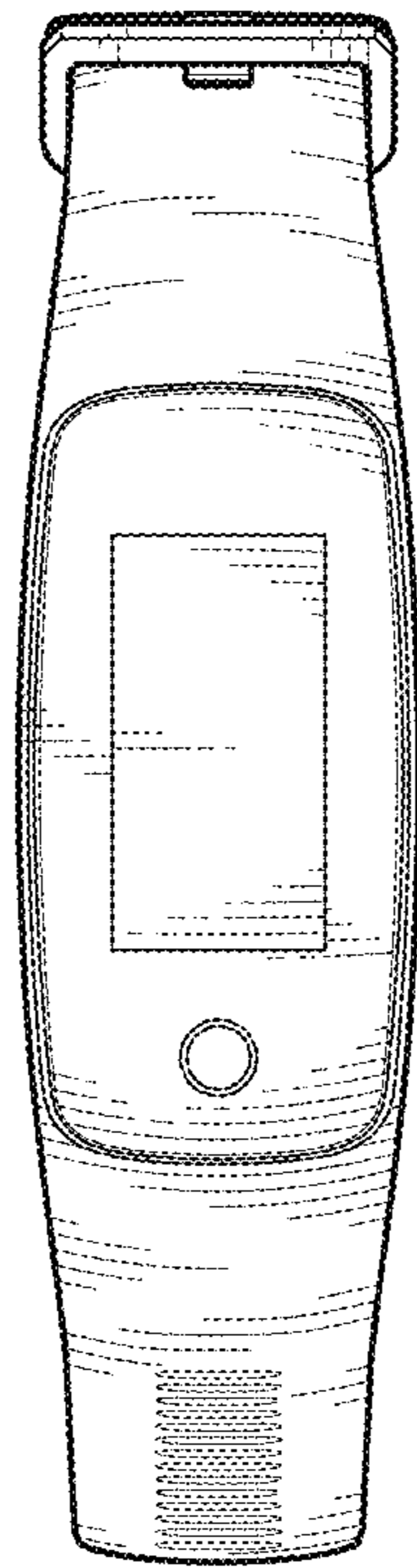


FIG. 2

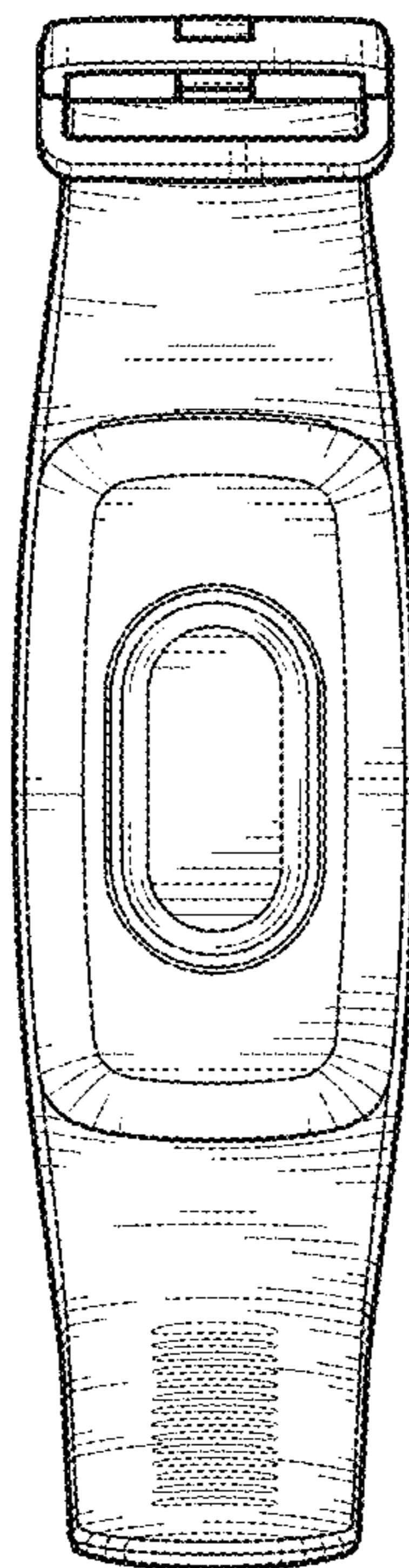


FIG. 3

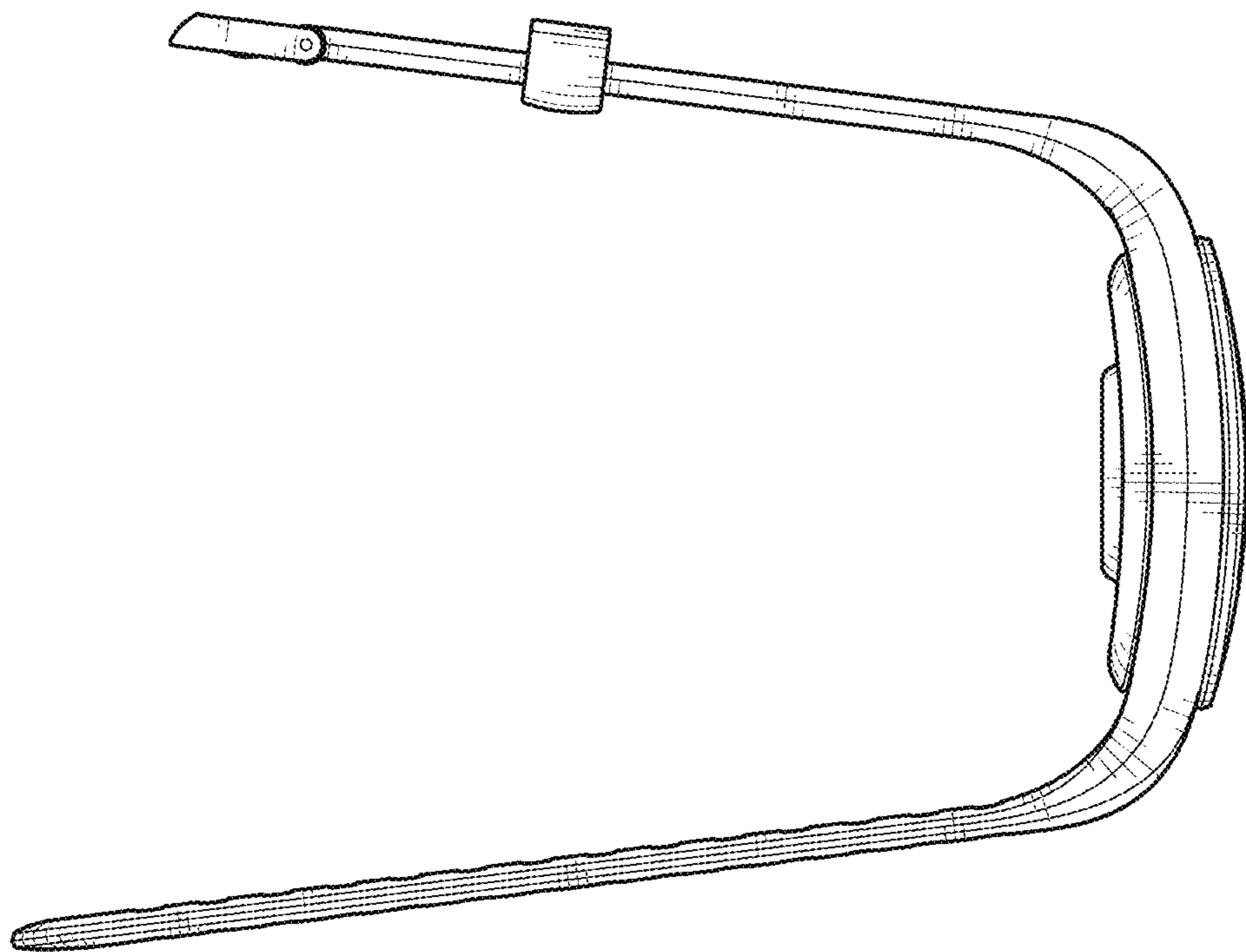


FIG. 4

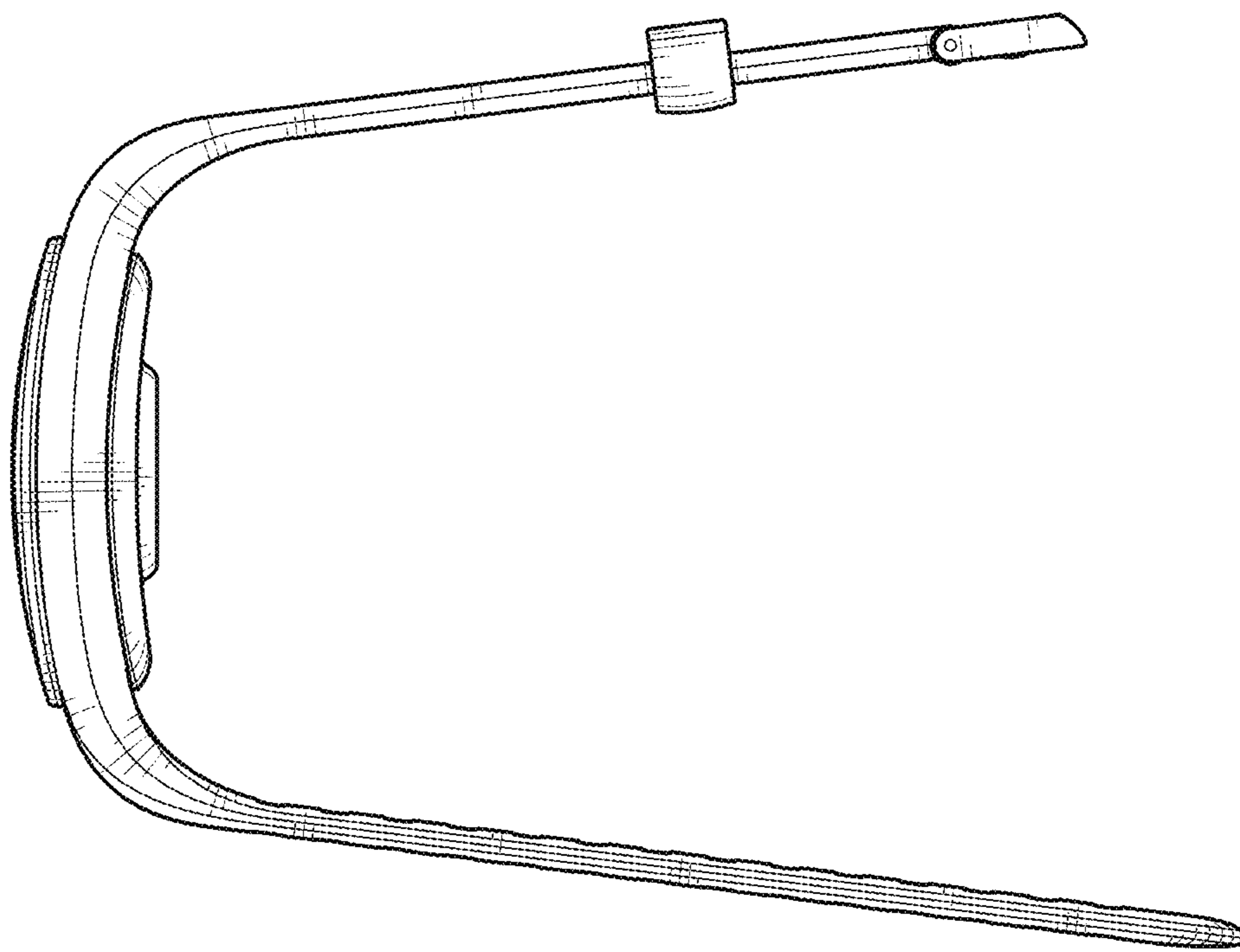
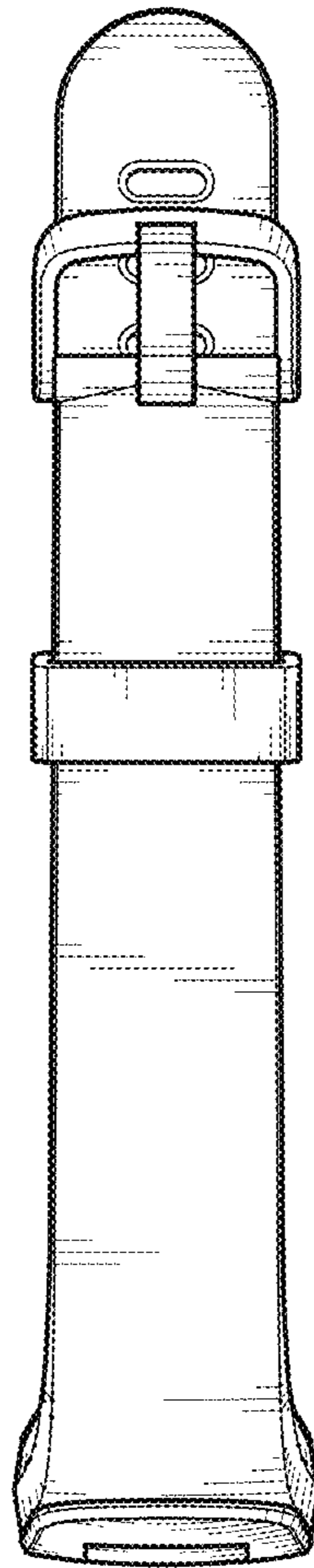
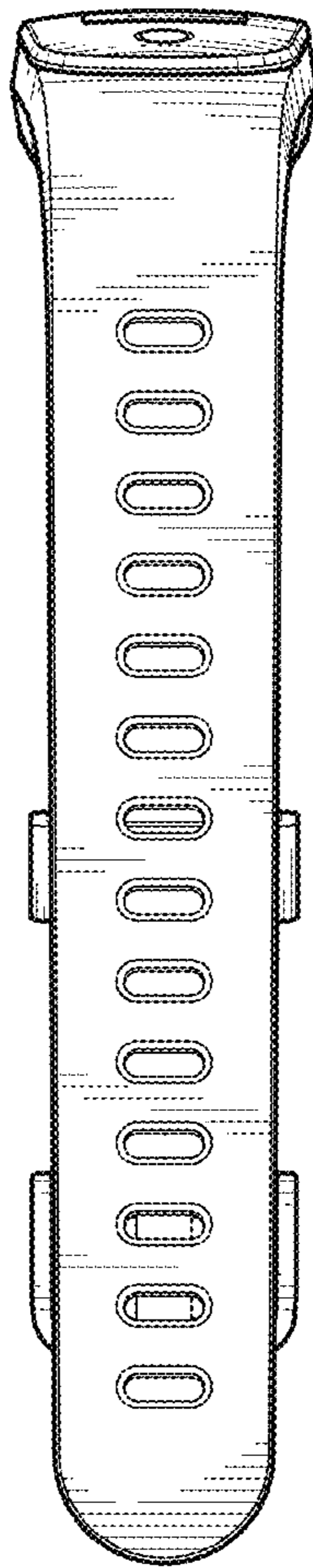


FIG. 5



*FIG. 6*





*FIG. 7*

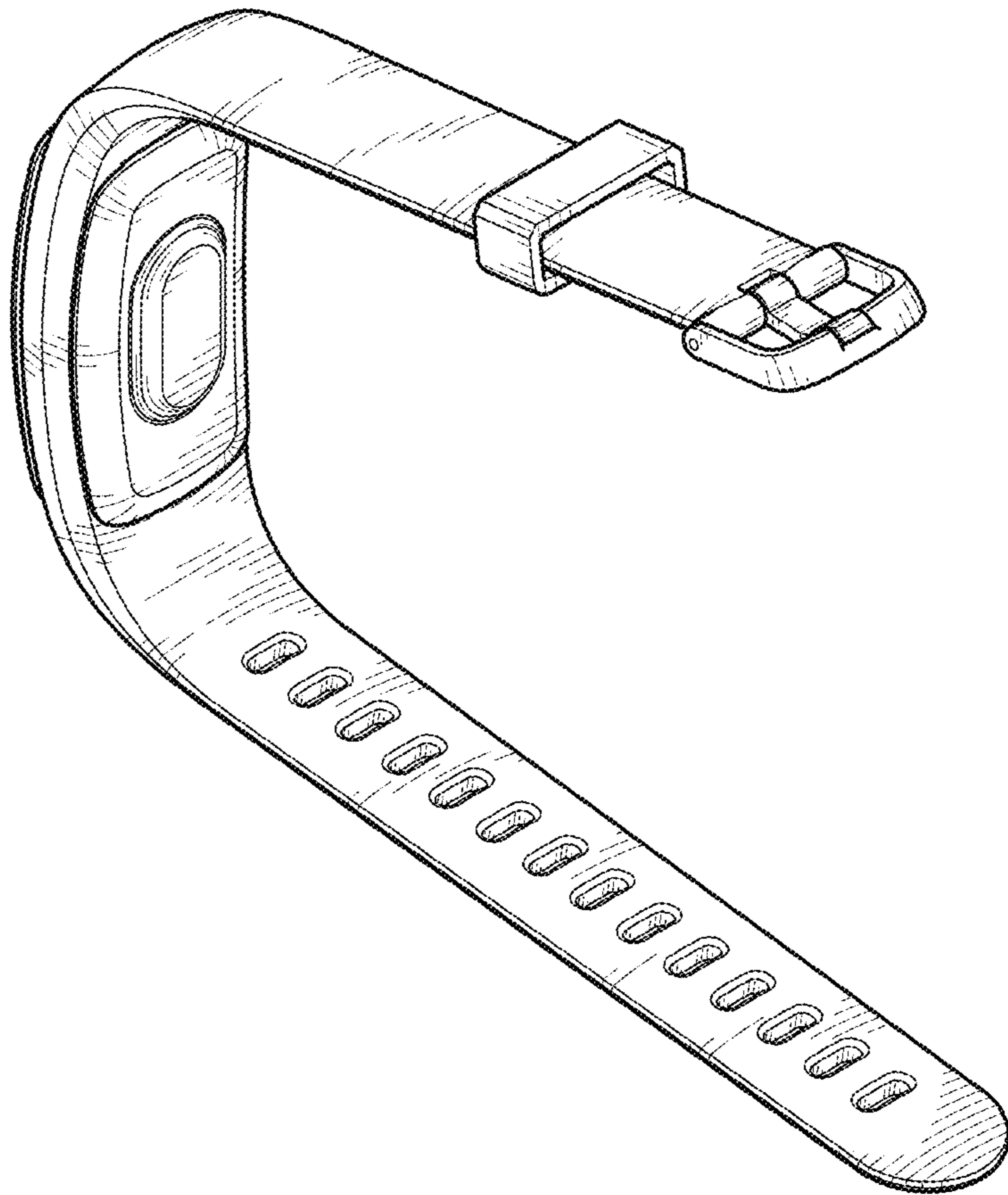


FIG. 8