



US00D808948S

(12) **United States Design Patent**
Yoon

(10) **Patent No.:** **US D808,948 S**
(45) **Date of Patent:** **** Jan. 30, 2018**

(54) **AUDIO SYSTEM**

(71) Applicant: **NAMSUNG CO., LTD.**, Guro-gu,
Seoul (KR)

(72) Inventor: **Seong-Ho Yoon**, Seoul (KR)

(73) Assignee: **NAMSUNG CO., LTD.**, Seoul (KR)

(**) Term: **15 Years**

(21) Appl. No.: **29/589,166**

(22) Filed: **Dec. 28, 2016**

(30) **Foreign Application Priority Data**

Nov. 1, 2016 (KR) 30-2016-0052425

(51) **LOC (11) Cl.** **14-03**

(52) **U.S. Cl.**
USPC **D14/258**

(58) **Field of Classification Search**
USPC D12/192, 195, 415, 420; D14/496,
D14/498-506, 154, 157, 168-171,
D14/188-198, 257-258; 248/27.1, 27.3,
248/558; 455/347, 350
CPC B60R 11/02; B60K 37/04; B60K 37/06;
H04B 1/08; H04B 1/082
See application file for complete search history.

(56) **References Cited**

U.S. PATENT DOCUMENTS

D269,775 S * 7/1983 Hoese D14/157
D310,369 S * 9/1990 Kolenda D14/258
D314,966 S * 2/1991 Magic D14/157
D356,092 S * 3/1995 McCauley D14/157

D376,369 S * 12/1996 Schumaker D14/258
D405,094 S * 2/1999 Buckingham D14/258
D407,705 S * 4/1999 Bryant D14/157
D427,591 S * 7/2000 Burghoff D14/258
D531,163 S * 10/2006 Kaner D14/188
D561,753 S * 2/2008 Riede D14/257
D592,208 S * 5/2009 Ishizaki D14/257
D676,846 S * 2/2013 Harrington D14/257
D743,928 S * 11/2015 Endo D14/157

* cited by examiner

Primary Examiner — Sandra L Morris

(74) *Attorney, Agent, or Firm* — TraskBritt

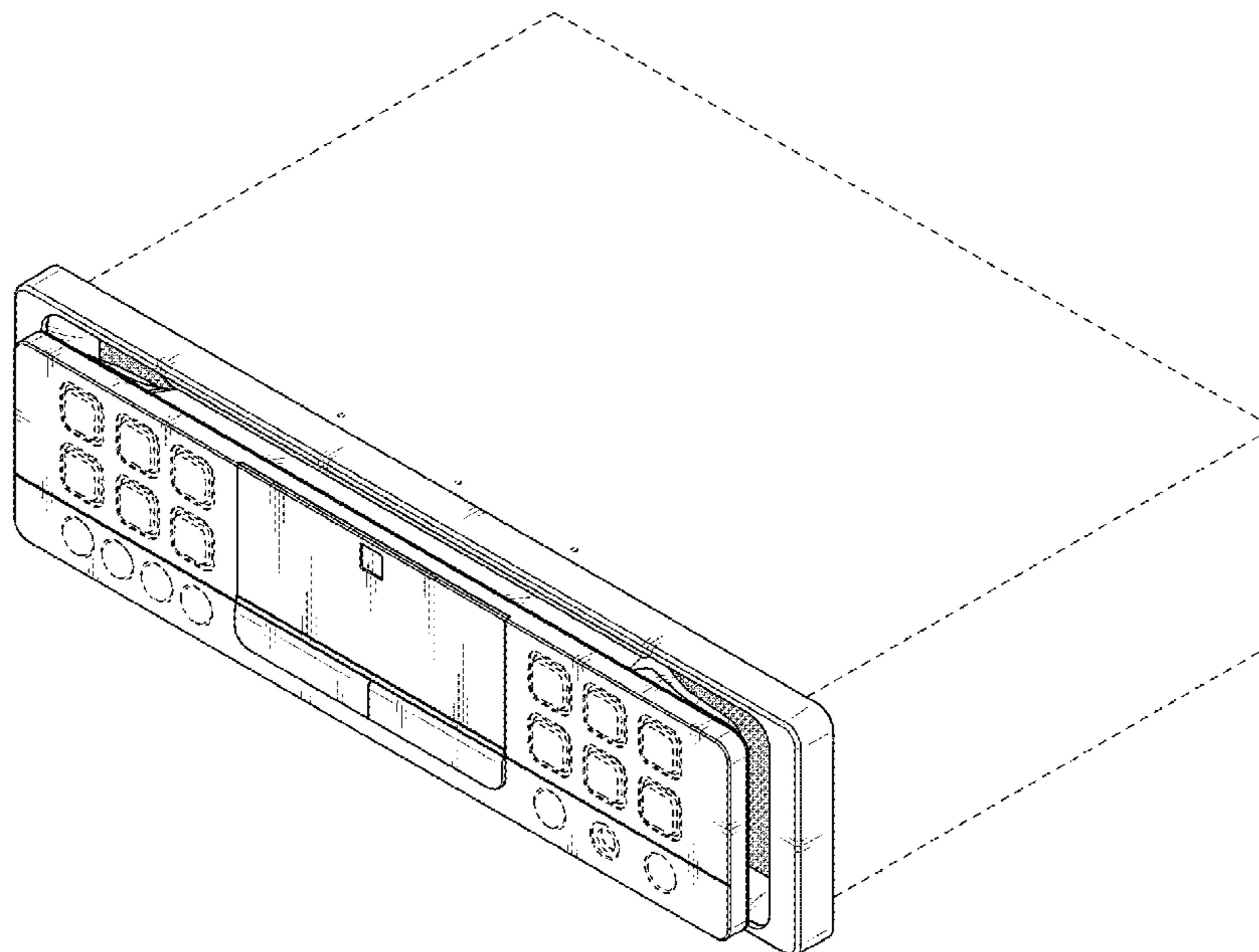
(57) **CLAIM**

The ornamental design for an audio system, as shown and described.

DESCRIPTION

FIG. 1 is a perspective view showing the new design;
FIG. 2 is a front view of the new design;
FIG. 3 is a rear side view of the new design;
FIG. 4 is a left view of the new design;
FIG. 5 is a right view of the new design;
FIG. 6 is a top view of the new design;
FIG. 7 is a bottom view of the new design;
FIG. 8 is a bottom perspective view of the new design;
FIG. 9 is a perspective separated view of the new design;
and,
FIG. 10 is a sectional drawing from 10-10' of FIG. 2.
The broken-line disclosure is understood to represent portions of the article in which the claimed design is embodied, but which form no part of the claimed design.

1 Claim, 8 Drawing Sheets



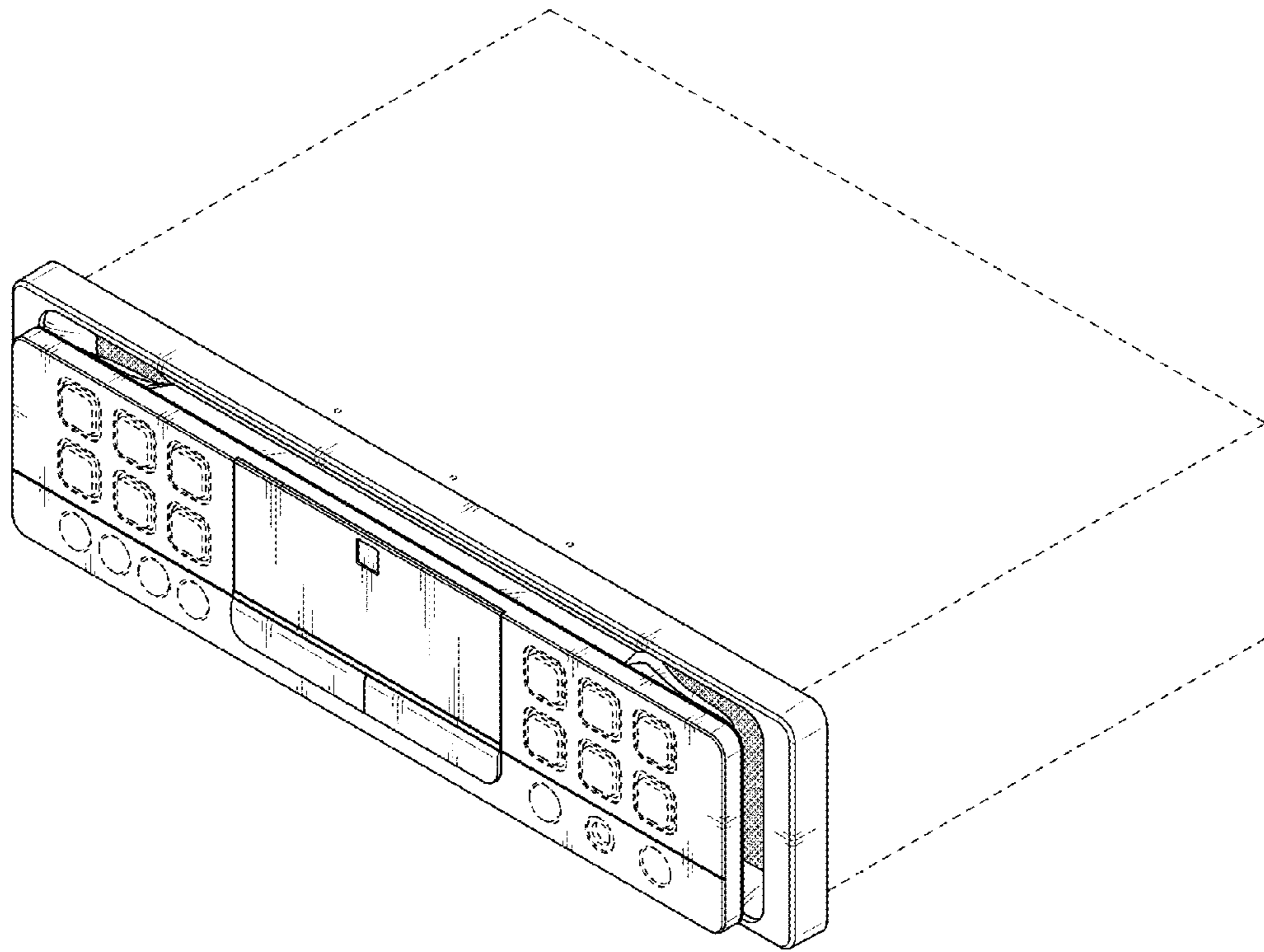


FIG. 1

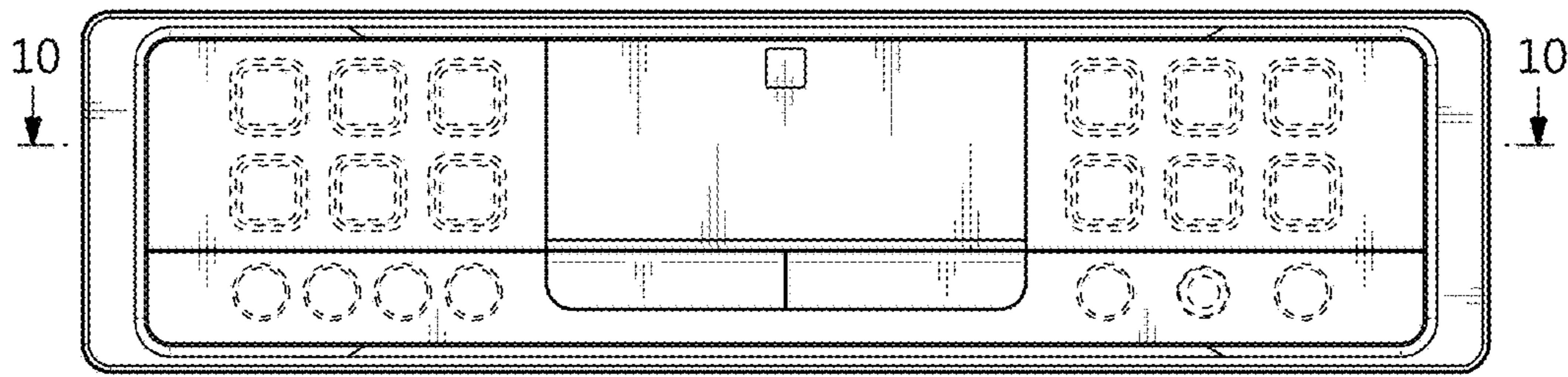


FIG. 2



FIG. 3



FIG. 4



FIG. 5

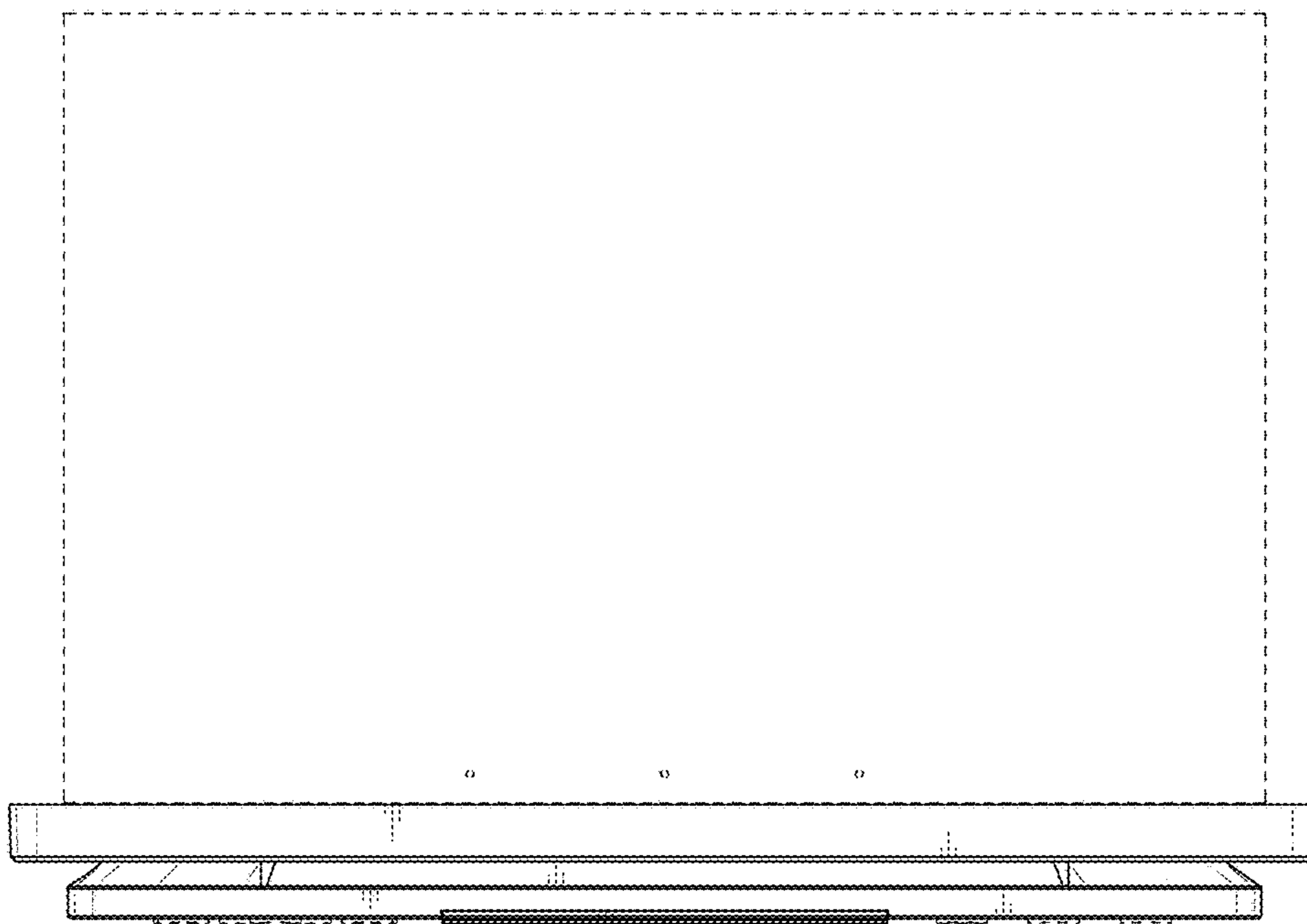


FIG. 6

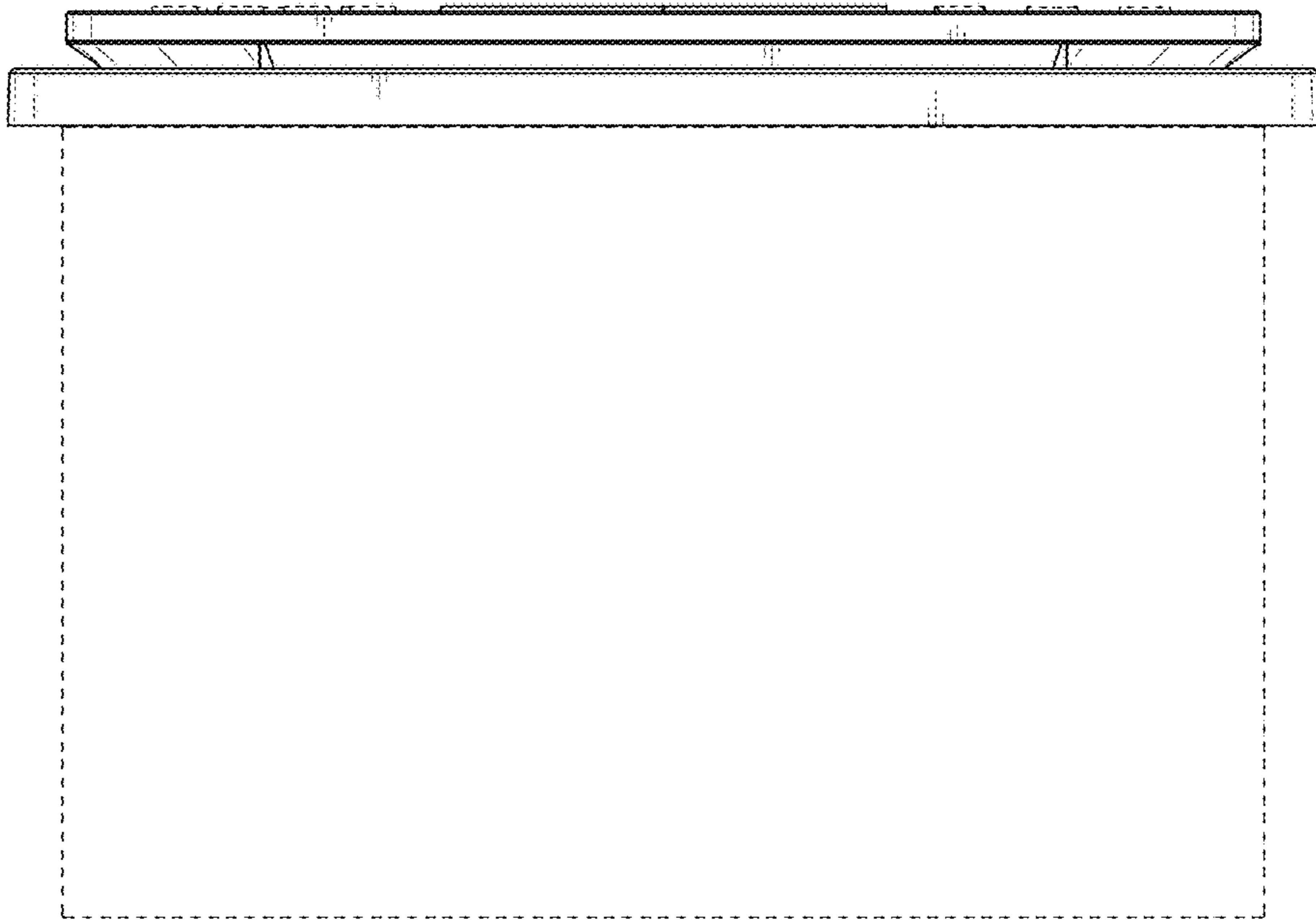


FIG. 7

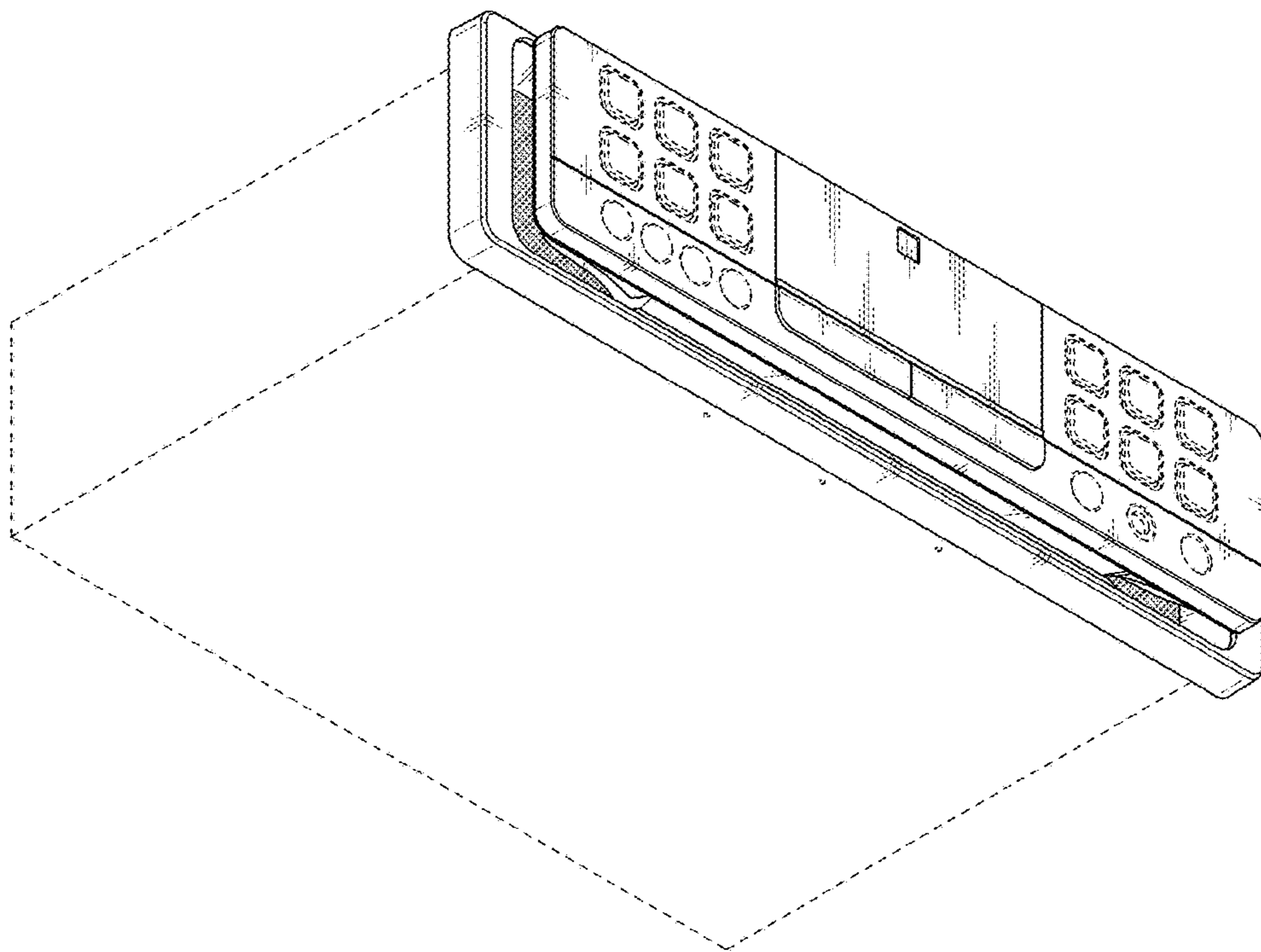


FIG. 8

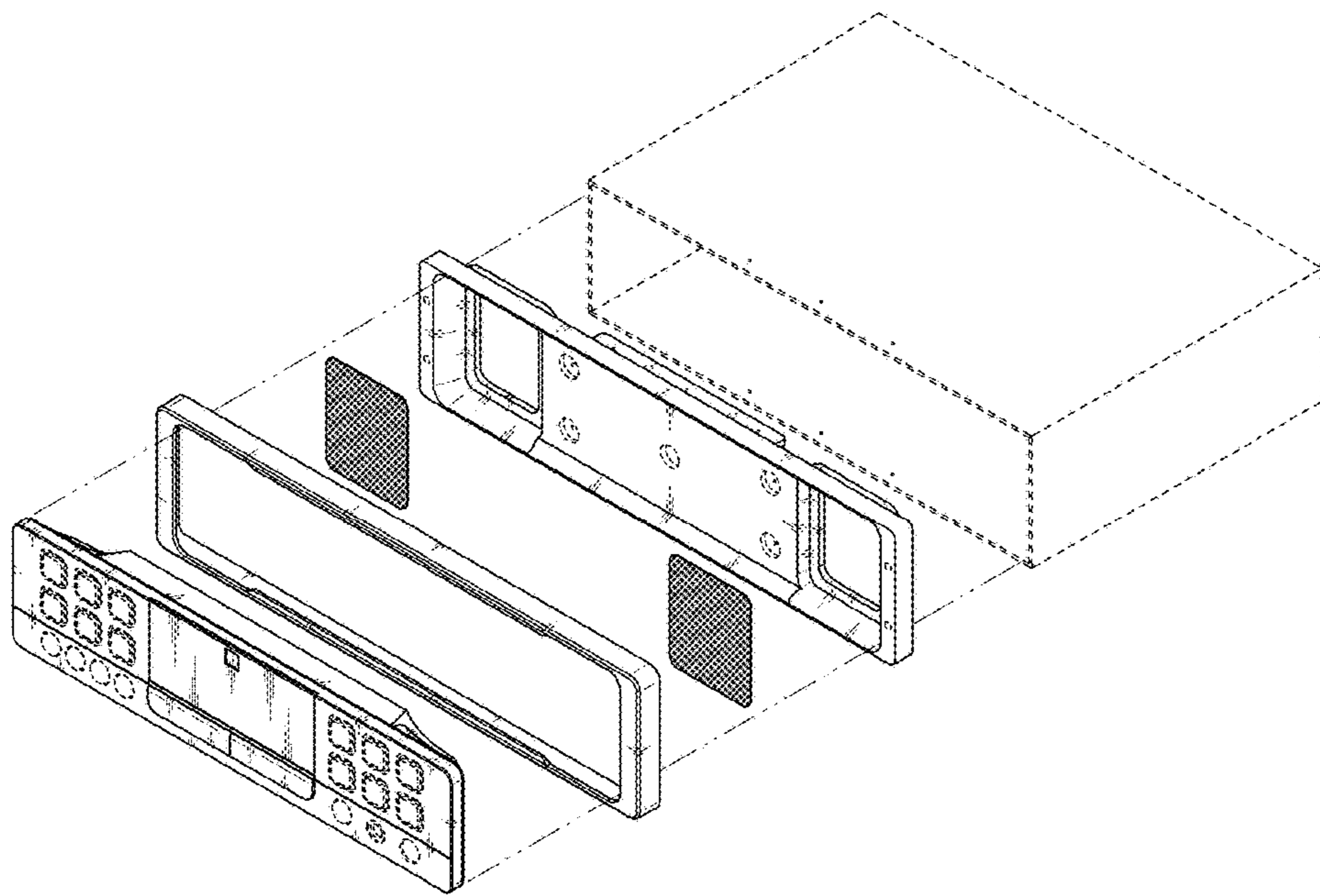


FIG. 9

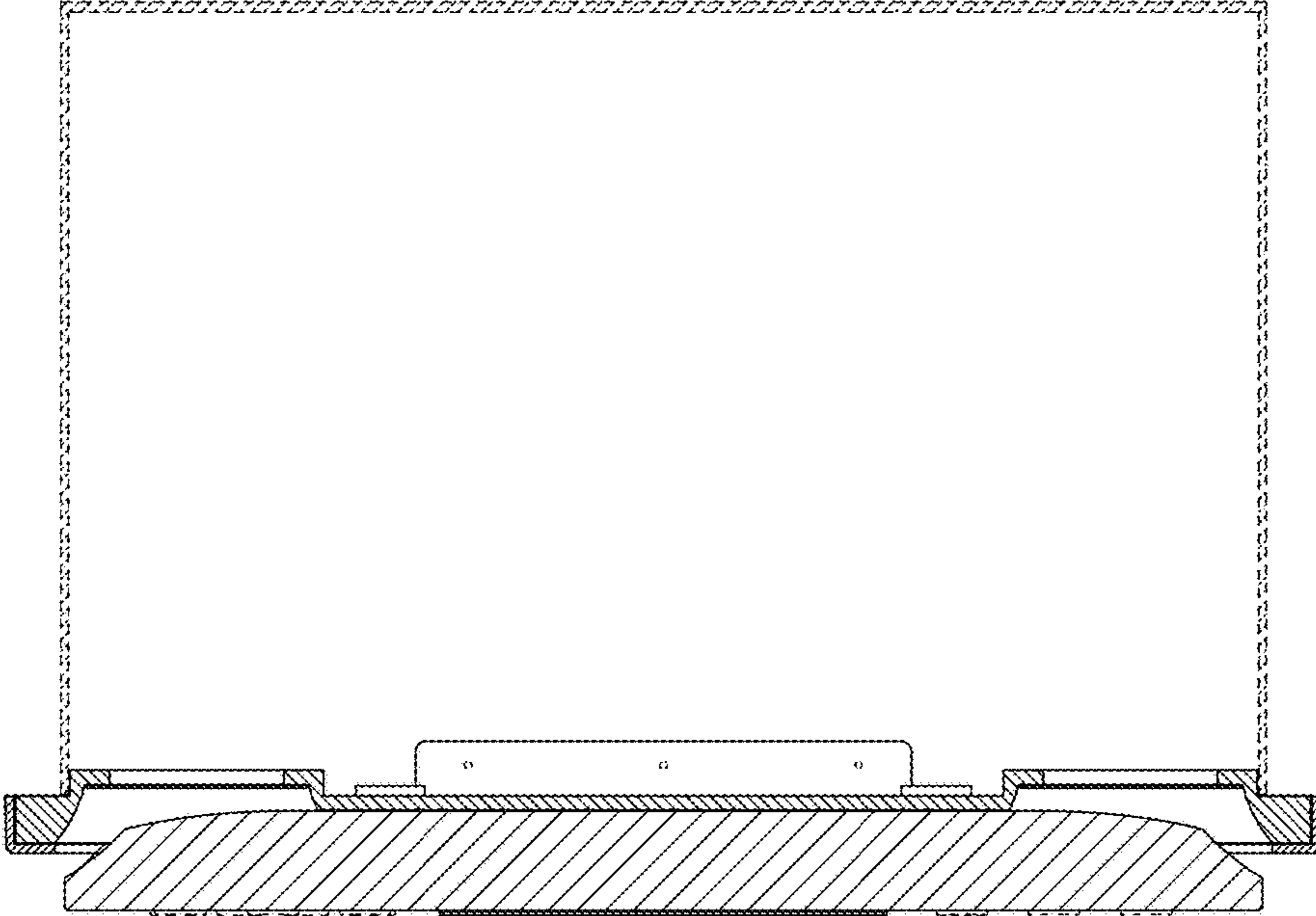


FIG. 10