



US00D808947S

(12) **United States Design Patent**
Taniho et al.

(10) **Patent No.:** **US D808,947 S**
(45) **Date of Patent:** **** Jan. 30, 2018**

(54) **ACCESSORY FOR A SMARTPHONE
CAMERA**

5/23287; H04N 5/23258; H04N 5/2251;
H04N

(Continued)

(71) Applicant: **PFU LIMITED**, Kahoku-shi, Ishikawa
(JP)

(56) **References Cited**

U.S. PATENT DOCUMENTS

(72) Inventors: **Kiichi Taniho**, Kahoku (JP); **Yuka
Saeki**, Kahoku (JP); **Yasuhiko
Kitagawa**, Kahoku (JP); **Akihiro
Nishizawa**, Tokyo (JP)

D151,806 S * 11/1948 Beitch et al. D14/252
D200,982 S * 4/1965 Martinez D16/229
(Continued)

FOREIGN PATENT DOCUMENTS

(73) Assignee: **PFU LIMITED**, Ishikawa (JP)

JP D1530167 8/2015

OTHER PUBLICATIONS

(**) Term: **15 Years**

Omoidori, announced Jun. 1, 2016, [site visited May 25, 2017]
Available from Internet URL: <<http://www.asuka-xp.com/archives/55516008.html>>.*

(21) Appl. No.: **29/567,271**

(Continued)

(22) Filed: **Jun. 7, 2016**

(30) **Foreign Application Priority Data**

Primary Examiner — Barbara Fox
Assistant Examiner — Mary C Ramirez
(74) *Attorney, Agent, or Firm* — RatnerPrestia

Dec. 22, 2015 (JP) 2015-028482

(51) **LOC (11) Cl.** **14-03**

(57) **CLAIM**

(52) **U.S. Cl.**

The ornamental design for an accessory for a smartphone camera, as shown and described.

USPC **D14/253**

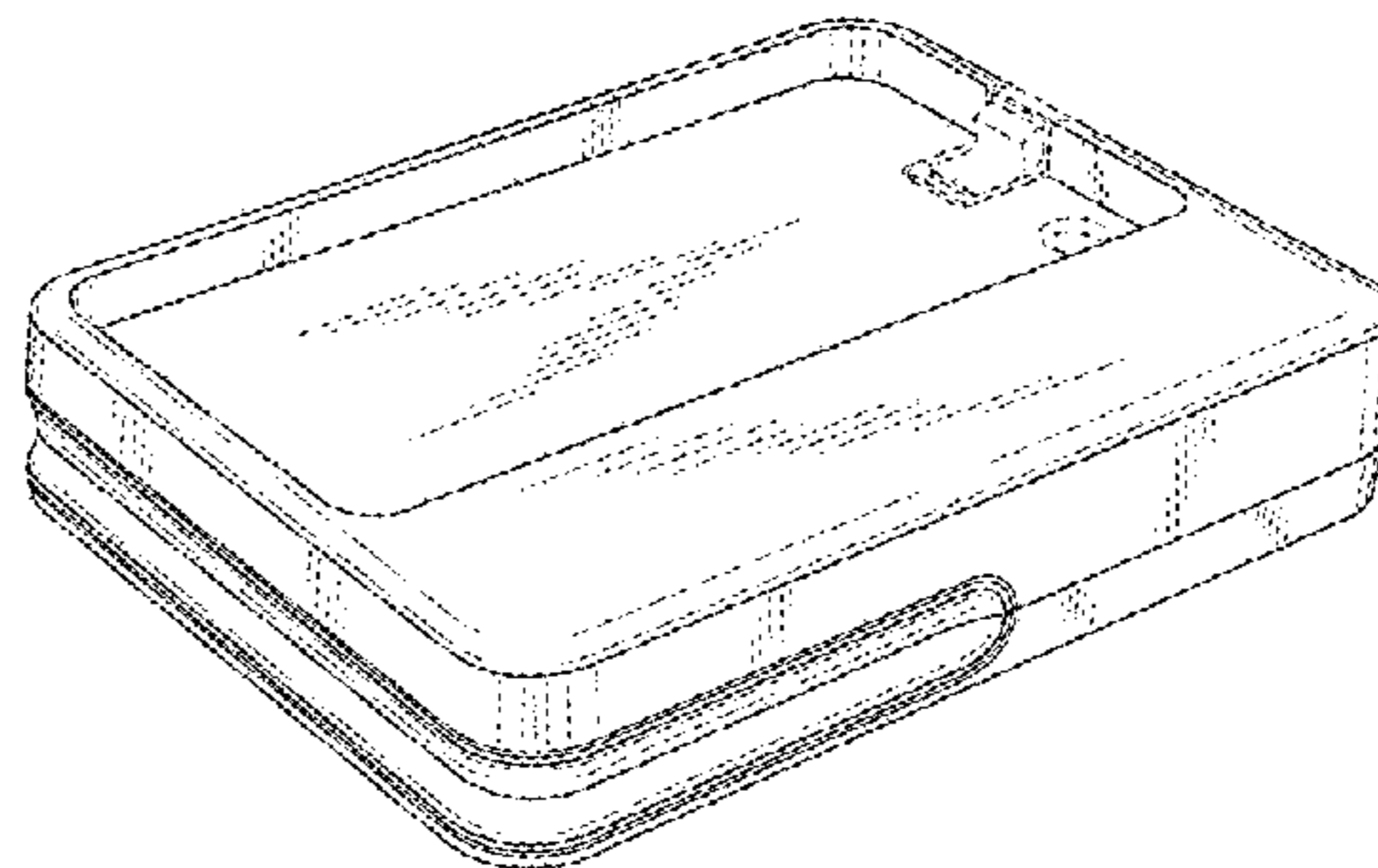
DESCRIPTION

(58) **Field of Classification Search**

USPC ... D14/307, 218, 130, 144, 140.2, 132, 341,
D14/345, 358, 242, 231, 317, 203.8,
D14/209.1, 212, 421-423, 252, 253, 251;
D16/200-220, 229, 230, 242, 244, 245,
D16/238, 134; D20/21, 38; D23/283,
D23/305; D25/20, 58; D10/25, 29, 53,
D10/10, 49, 50, 104.1, 106.1, 38;
D26/93; D9/430; D6/338
CPC H04N 7/181; H04N 7/183; H04N 7/18;
H04N 3/08; H04N 5/23248; H04N

FIG. 1 is a front perspective view of an accessory for a smartphone camera showing our new design;
FIG. 2 is a front view thereof;
FIG. 3 is a rear view thereof;
FIG. 4 is a right side view thereof;
FIG. 5 is a left side view thereof;
FIG. 6 is a top plan view thereof;
FIG. 7 is a bottom plan view thereof;
FIG. 8 is a perspective view thereof, showing the accessory for a smartphone camera in a folded position; and,
FIG. 9 is a perspective view showing the accessory for a smartphone camera in use.

(Continued)



The broken lines shown in FIGS. 1, 2 and 6-9 depict portions of the accessory for a smartphone camera that form no part of the claimed design. The broken lines showing environmental subject matter in FIG. 9 form no part of the claimed design.

1 Claim, 5 Drawing Sheets

(58) Field of Classification Search

CPC .. 5/2252; H04N 2007/145; H04N 7/00; G01C 11/025; G03B 15/00; G03B 15/03; G03B 17/56; G03B 17/02; G03B 17/30; G03B 17/04; G03B 17/00; G03B 19/04; G03B 3/00; B60R 1/00; B60R 2300/105; G08B 13/19619; G08B 13/1963; G08B 13/19632; F16M 11/04; F16M 13/00; Y02E 60/12; G02B 5/00

See application file for complete search history.

(56) References Cited

U.S. PATENT DOCUMENTS

D206,590	S	*	1/1967	Haggstrom et al.	D13/108
D316,416	S	*	4/1991	Cant	D14/252
D319,061	S	*	8/1991	Powell	D13/107
D504,522	S	*	4/2005	Kendall	D25/58
D701,757	S	*	4/2014	Andre	D9/432
D715,284	S	*	10/2014	Iwamoto	D12/415

8,950,720	B1	*	2/2015	Carr	A47B 23/044 248/454
D726,705	S	*	4/2015	Kang	D14/252
9,041,985	B2	*	5/2015	Kasahara	H04N 1/00997 358/473
D730,886	S	*	6/2015	Tseng	D14/251
9,241,086	B1	*	1/2016	Hayashi	H04N 1/02815
9,294,650	B2	*	3/2016	Takamori	G03B 15/07
9,473,653	B2	*	10/2016	Hayashi	H04N 1/00519
D771,615	S	*	11/2016	Pignotti	D14/253
D780,608	S	*	3/2017	Lomas	D10/106.6
D781,841	S	*	3/2017	Salathe	D14/253
9,594,985	B2	*	3/2017	Hayashi	G06T 7/10
2005/0134692	A1	*	6/2005	Izumi	H04N 1/00236 348/207.99
2005/0225667	A1	*	10/2005	Yamakose	H04N 5/2253 348/373
2012/0083153	A1	*	4/2012	Schmidt	F16M 11/10 439/527
2014/0097319	A1	*	4/2014	Robinson	A47B 23/043 248/456
2016/0088750	A1	*	3/2016	Wu	F16M 11/10 248/688

OTHER PUBLICATIONS

Scanbox, announced May 27, 2012, [site visited May 26, 2017] Available from Internet: <<https://www.kickstarter.com/projects/limemouse/scanbox-turn-your-smartphone-into-a-portable-scann/description>>.*

Japanese Office Action for Japanese Application No. 2015-028482, dated Aug. 26, 2016, including English translation, 4 pages.

* cited by examiner

FIG. 1

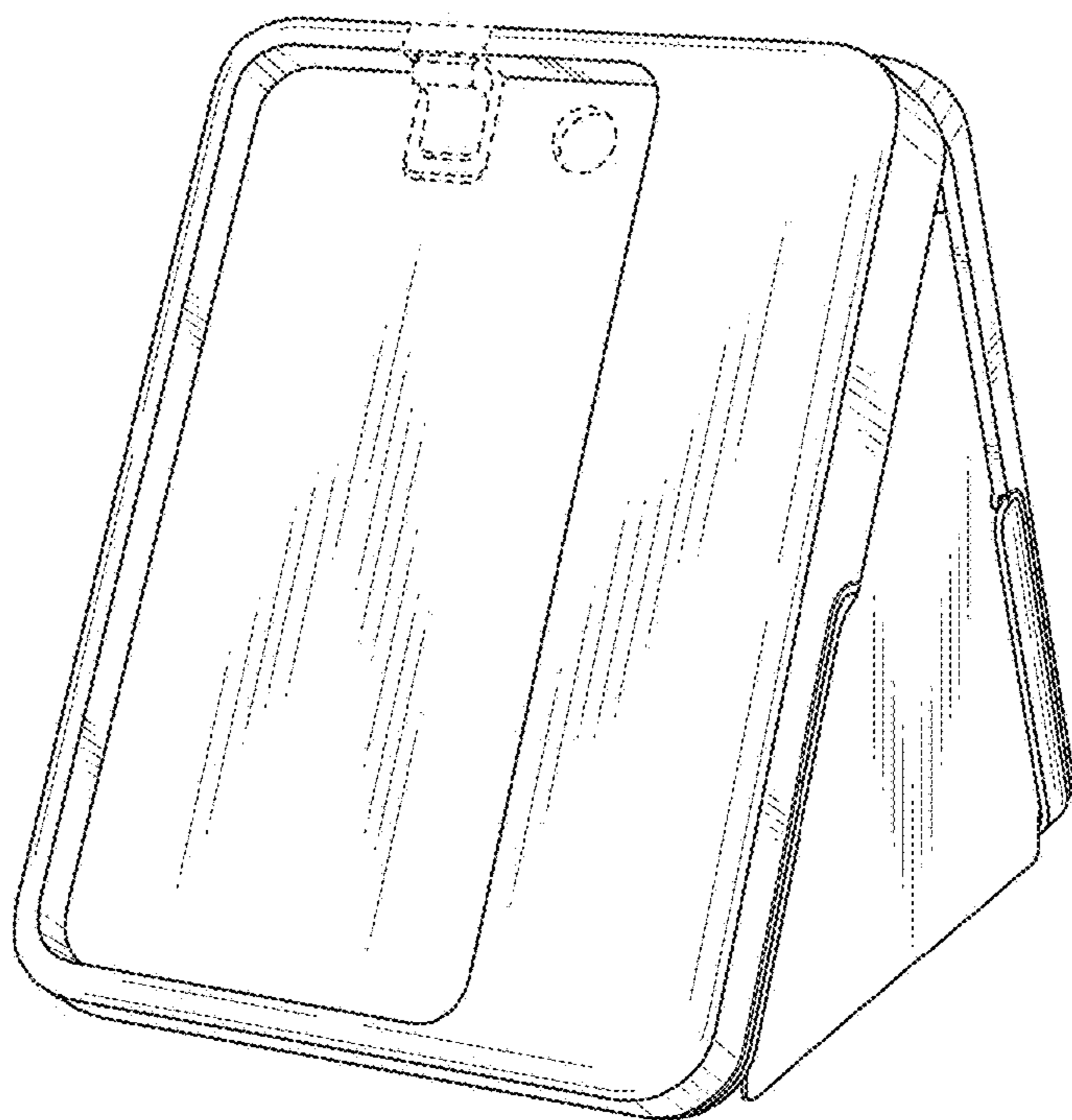


FIG. 2

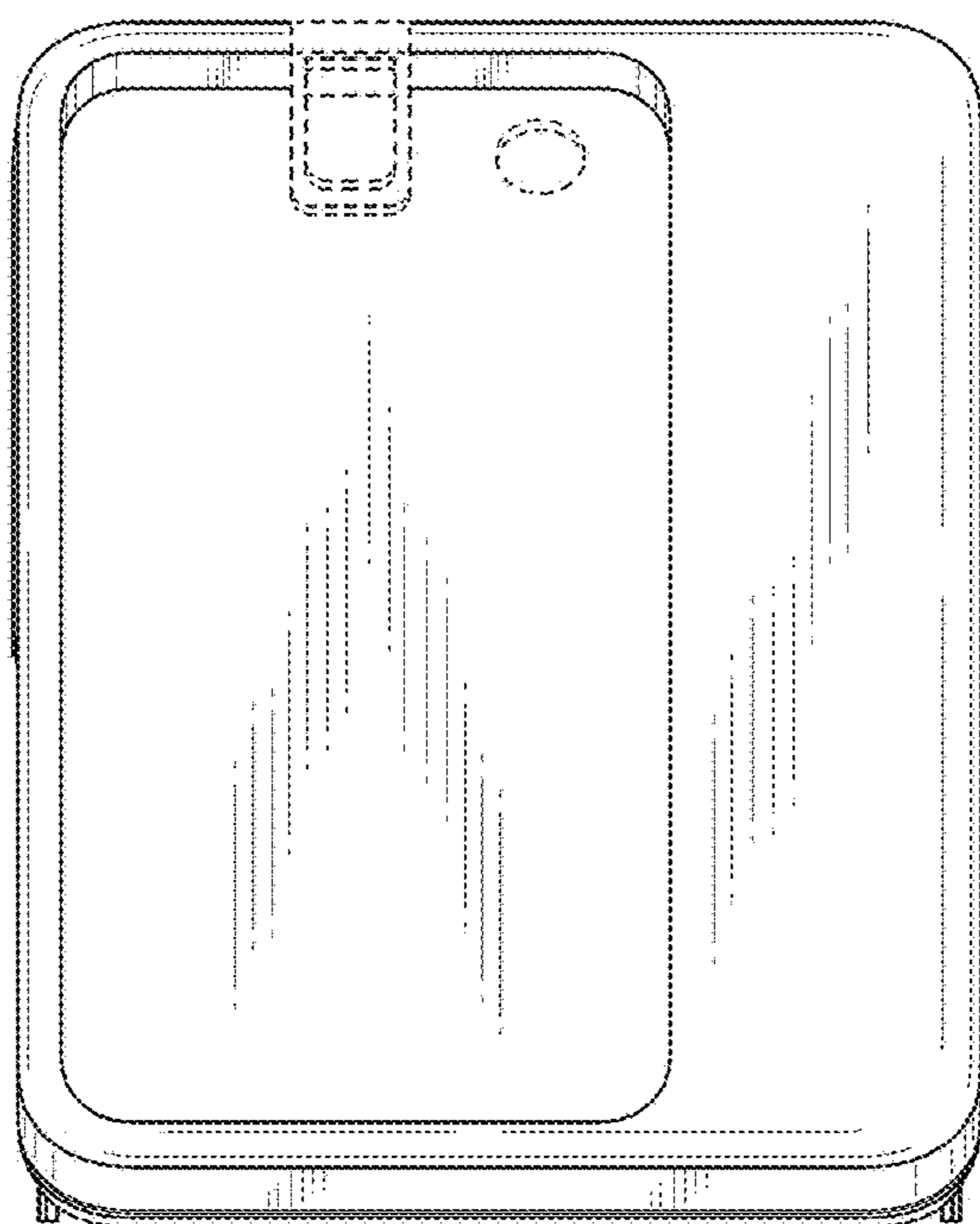


FIG. 3

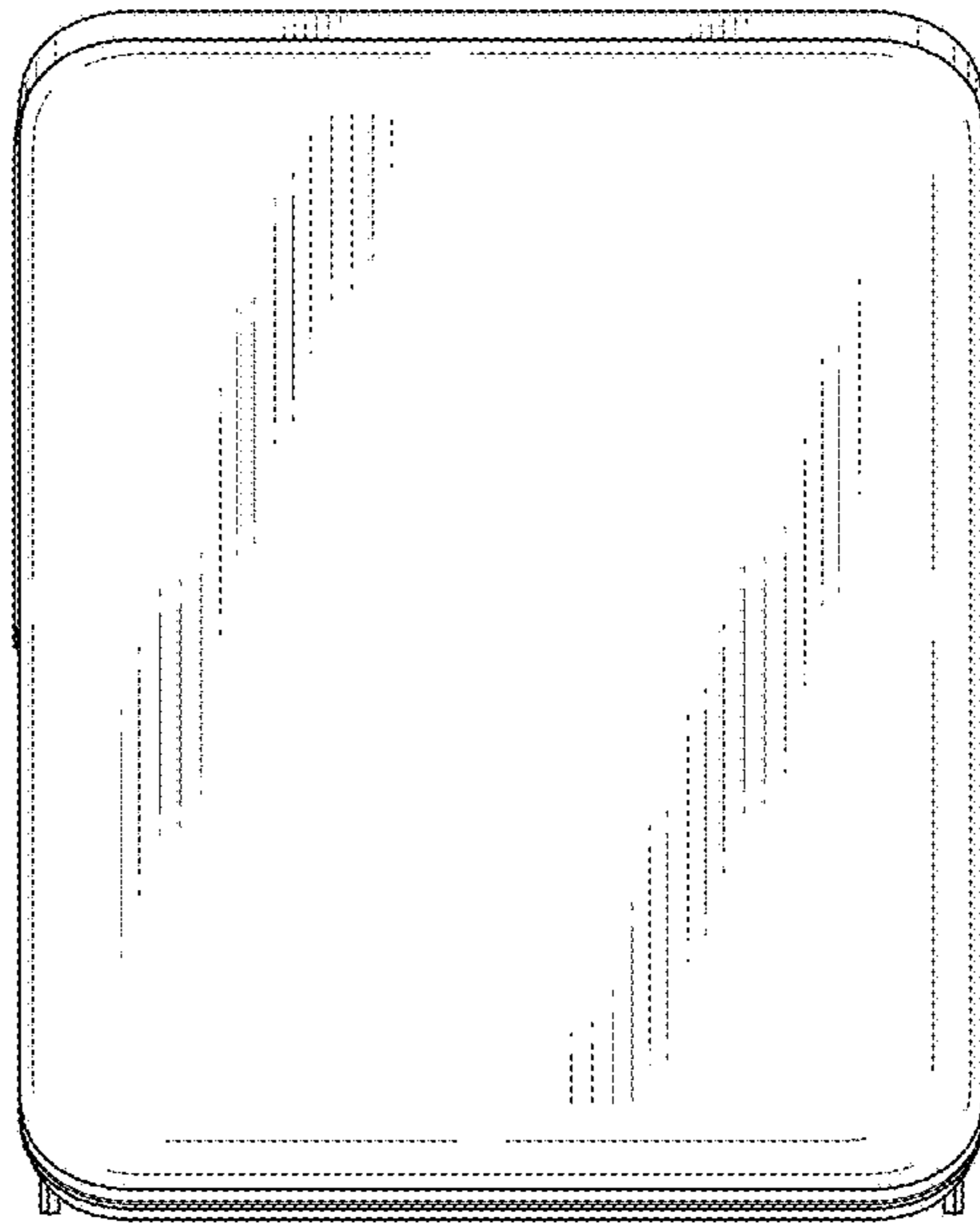


FIG. 4

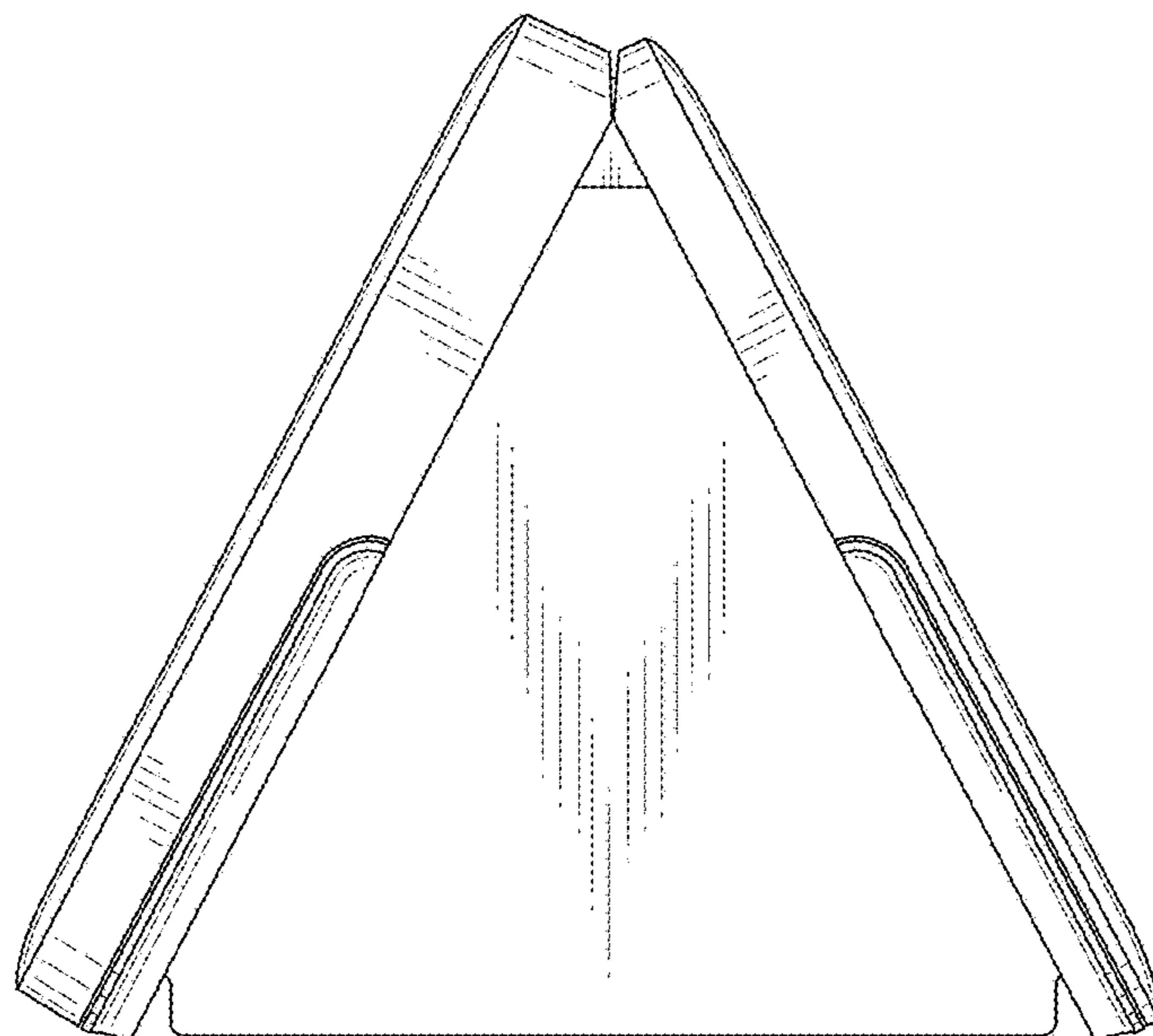


FIG. 5

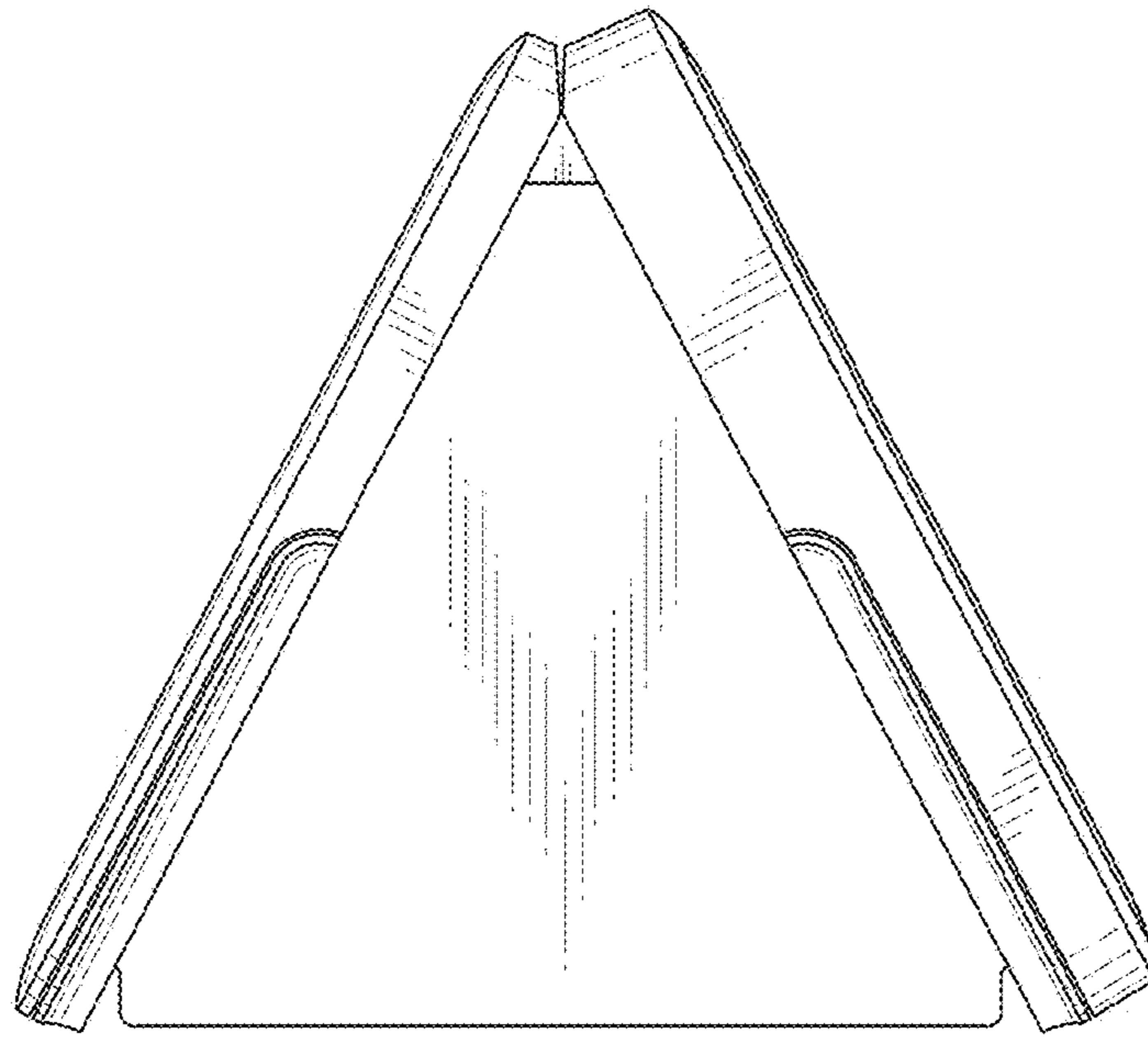


FIG. 6

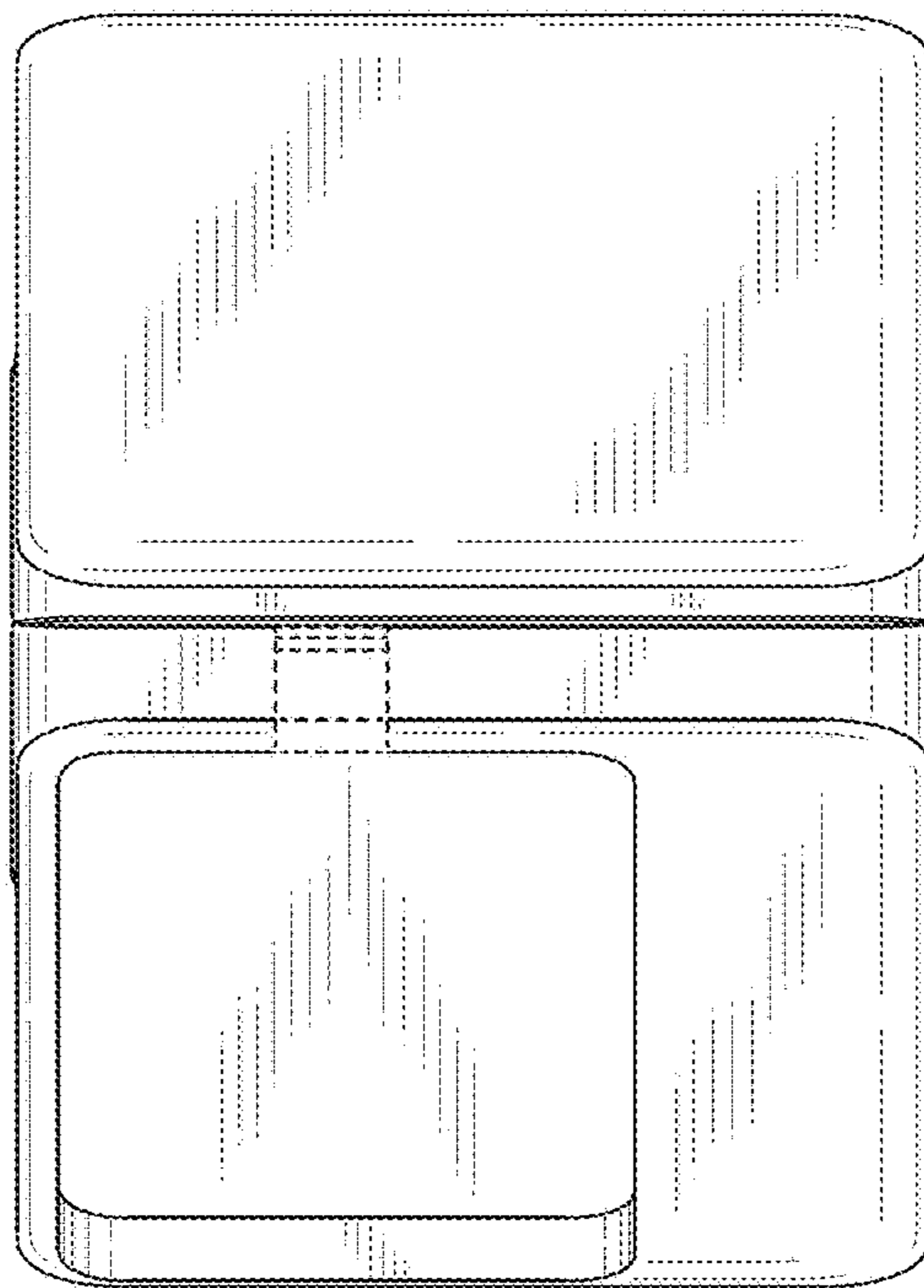


FIG. 7

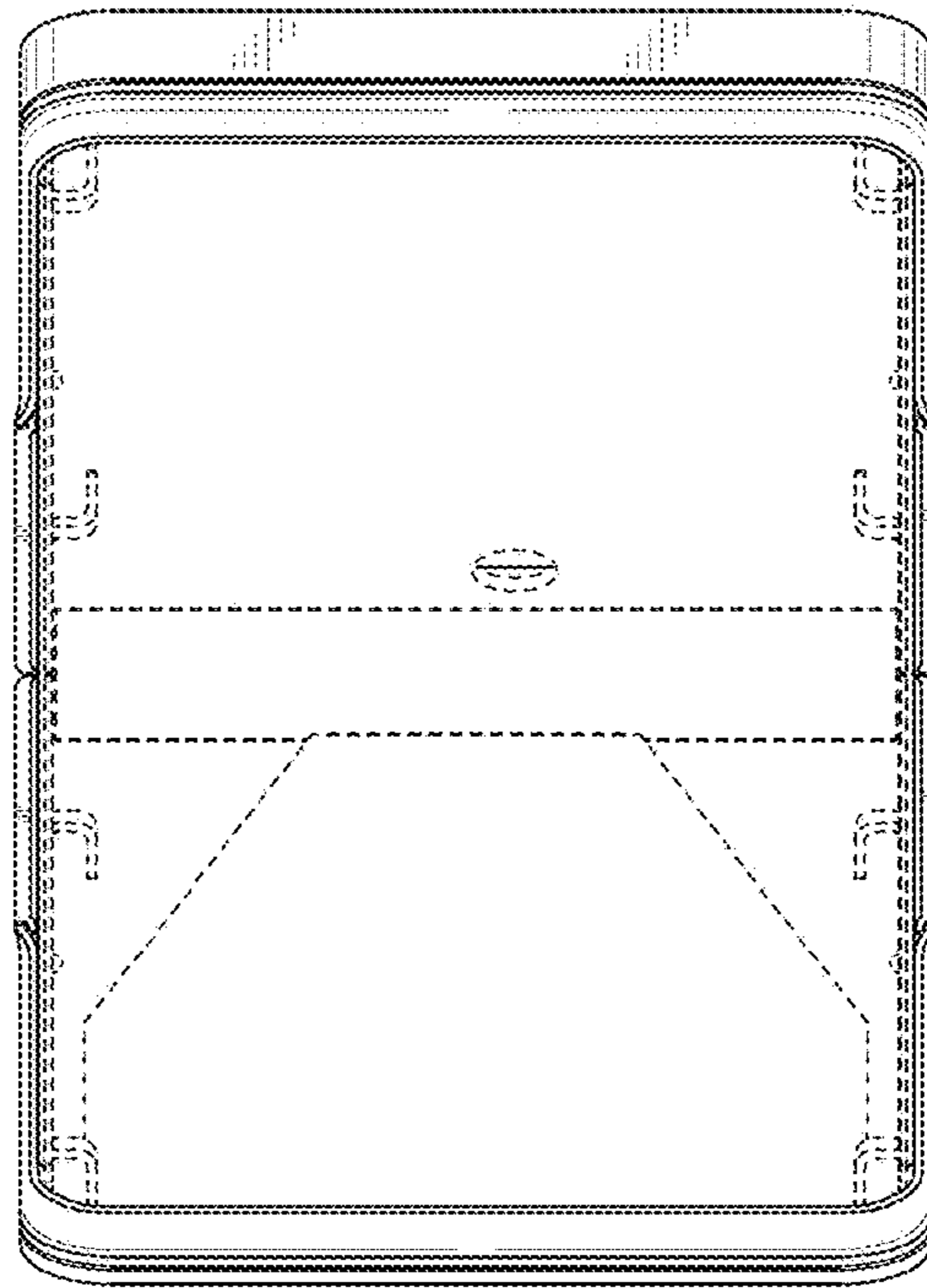


FIG. 8

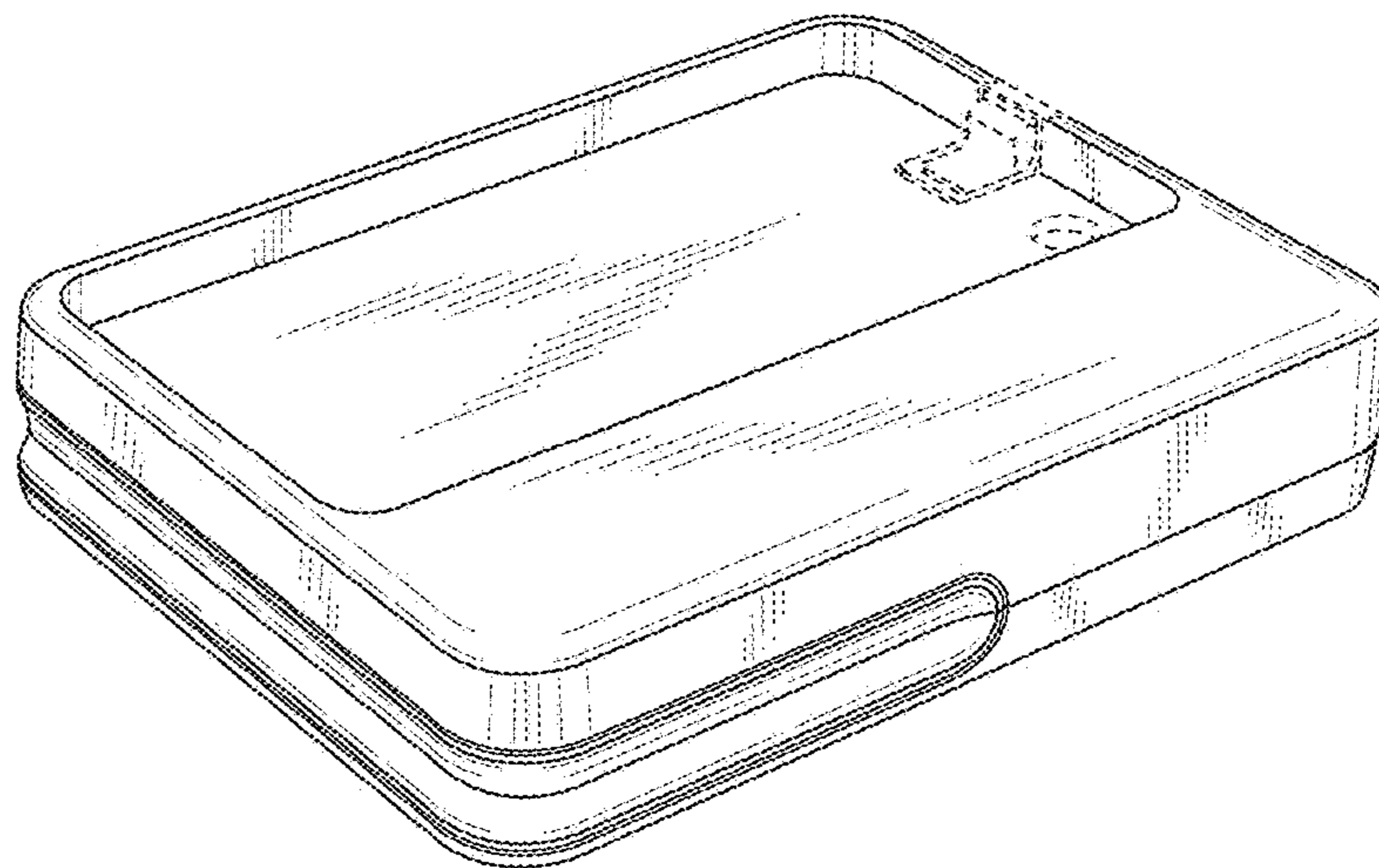


FIG. 9

