



US00D808940S

(12) **United States Design Patent** (10) **Patent No.:** **US D808,940 S**
Debaigue et al. (45) **Date of Patent:** **** Jan. 30, 2018**

(54) **STAND FOR TELEVISION**

(71) Applicant: **Samsung Electronics Co., Ltd.**,
Suwon-si (KR)

(72) Inventors: **Arthur Debaigue**, San Francisco, CA
(US); **Yves Behar**, San Francisco, CA
(US); **Qin Li**, San Francisco, CA (US);
Alex Farrow, San Francisco, CA (US)

(73) Assignee: **Samsung Electronics Co., Ltd.**,
Suwon-si (KR)

(**) Term: **15 Years**

(21) Appl. No.: **29/583,331**

(22) Filed: **Nov. 4, 2016**

(30) **Foreign Application Priority Data**

May 13, 2016 (KR) 30-2016-0022840

(51) **LOC (11) Cl.** **14-03**

(52) **U.S. Cl.**
USPC **D14/239**

(58) **Field of Classification Search**
USPC D14/125-134, 239, 371, 136, 374-377,
D14/440, 450, 448, 336, 342, 159;
312/7.2; 348/836, 838, 180, 184, 325,
348/739; 248/917-924, 465; 345/104,
345/133, 156, 168, 87, 173; D21/329,
D21/515, 577, 622, 333, 433, 448, 452,
D21/450, 331, 505; D10/15, 26;
446/484, 175, 356; D6/477, 479, 300;
D24/185; D34/14
CPC ... G06F 1/1601; G06F 1/1643; H05K 5/0004;
H05K 5/0017; H05K 5/02; H05K 5/0217
See application file for complete search history.

(56) **References Cited**

U.S. PATENT DOCUMENTS

D700,170 S * 2/2014 Choi D14/239
D705,200 S * 5/2014 Choi D14/239

D723,486 S * 3/2015 Lee D14/126
D725,661 S * 3/2015 Snyder D14/451
D744,444 S * 12/2015 Kim D14/126
D744,460 S * 12/2015 Lee D14/239
D746,825 S * 1/2016 Kang D14/451
D753,619 S * 4/2016 Itai D14/126

FOREIGN PATENT DOCUMENTS

KR 30-2005-0004929 9/2005
KR 30-2013-0015155 12/2014
KR 30-2012-0041582 10/2015

* cited by examiner

Primary Examiner — Randall Gholson
(74) *Attorney, Agent, or Firm* — NSIP Law

(57) **CLAIM**

We claim the ornamental design for a stand for television, as shown and described.

DESCRIPTION

FIG. 1 is a front perspective view of a stand for television showing our new design;
FIG. 2 is a front view thereof;
FIG. 3 is a rear view thereof;
FIG. 4 is a left-side view thereof;
FIG. 5 is a right-side view thereof;
FIG. 6 is a top view thereof;
FIG. 7 is a bottom view thereof;
FIG. 8 is a perspective view of the stand for television in which a television is provided in broken lines to illustrate an example environment; and,
FIG. 9 is a perspective view of the stand for television in which a television is provided in broken lines to illustrate another example environment.
The broken lines in the figures depict environmental subject matter and form no part of the claimed design.

1 Claim, 8 Drawing Sheets

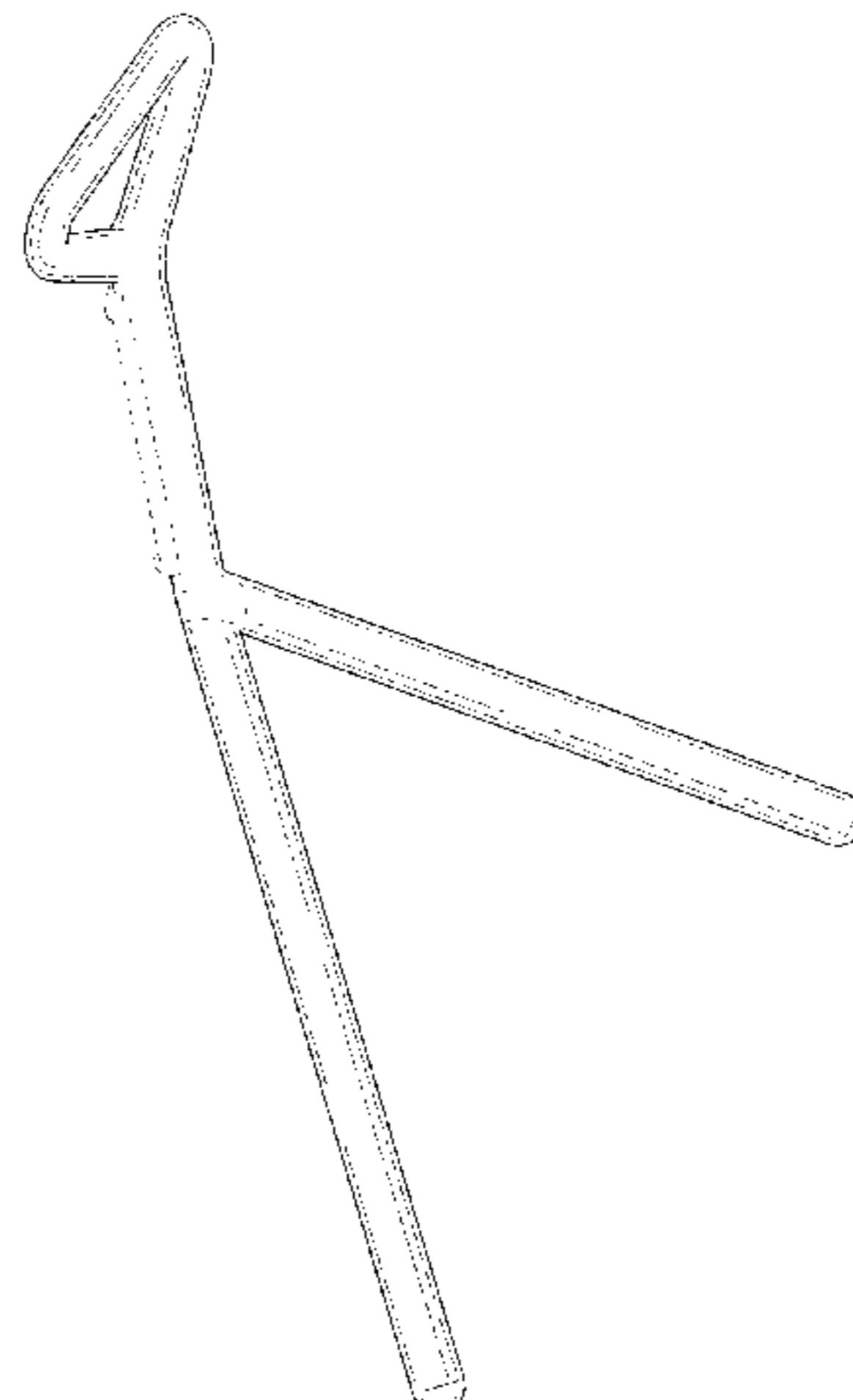


FIG. 1

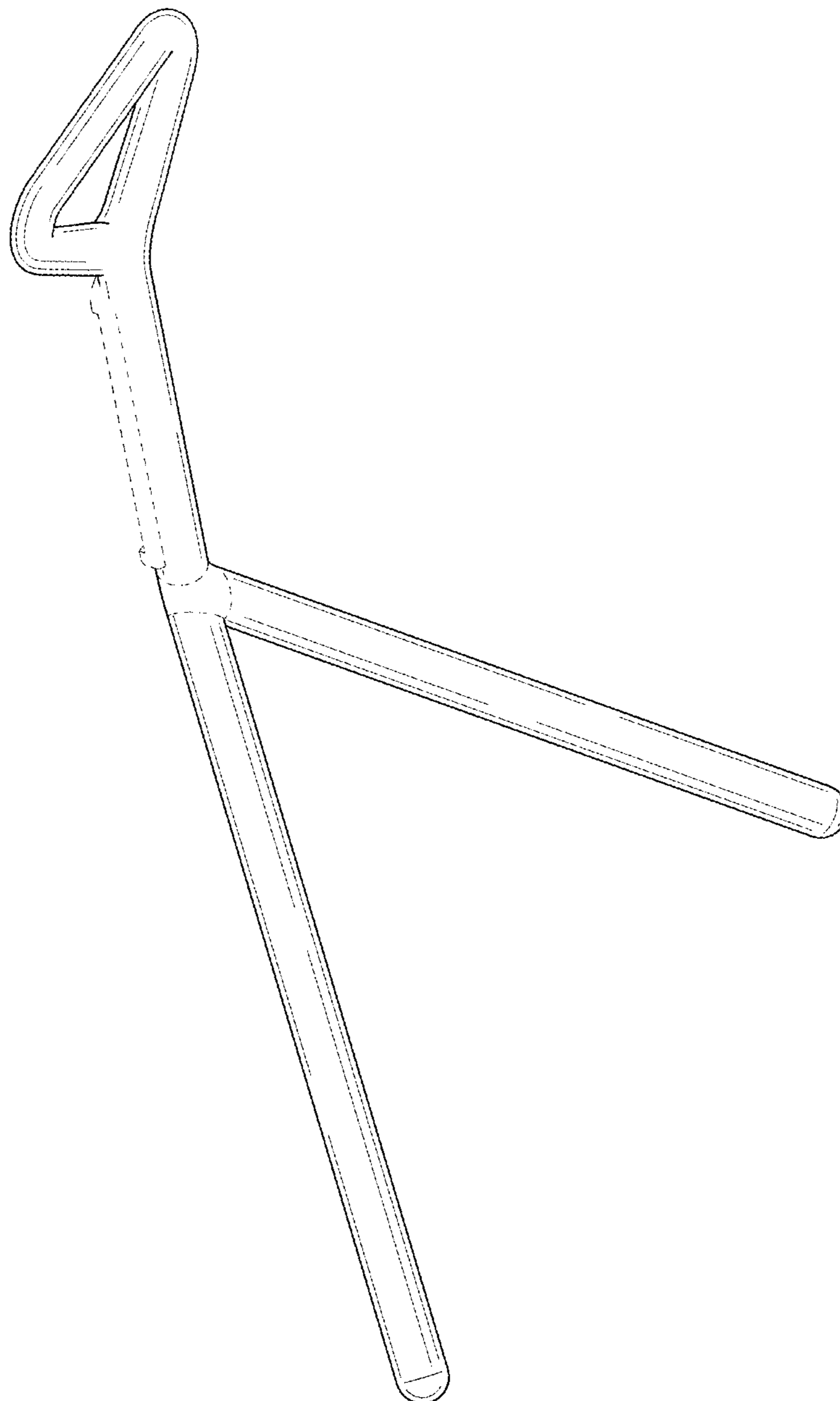


FIG. 2

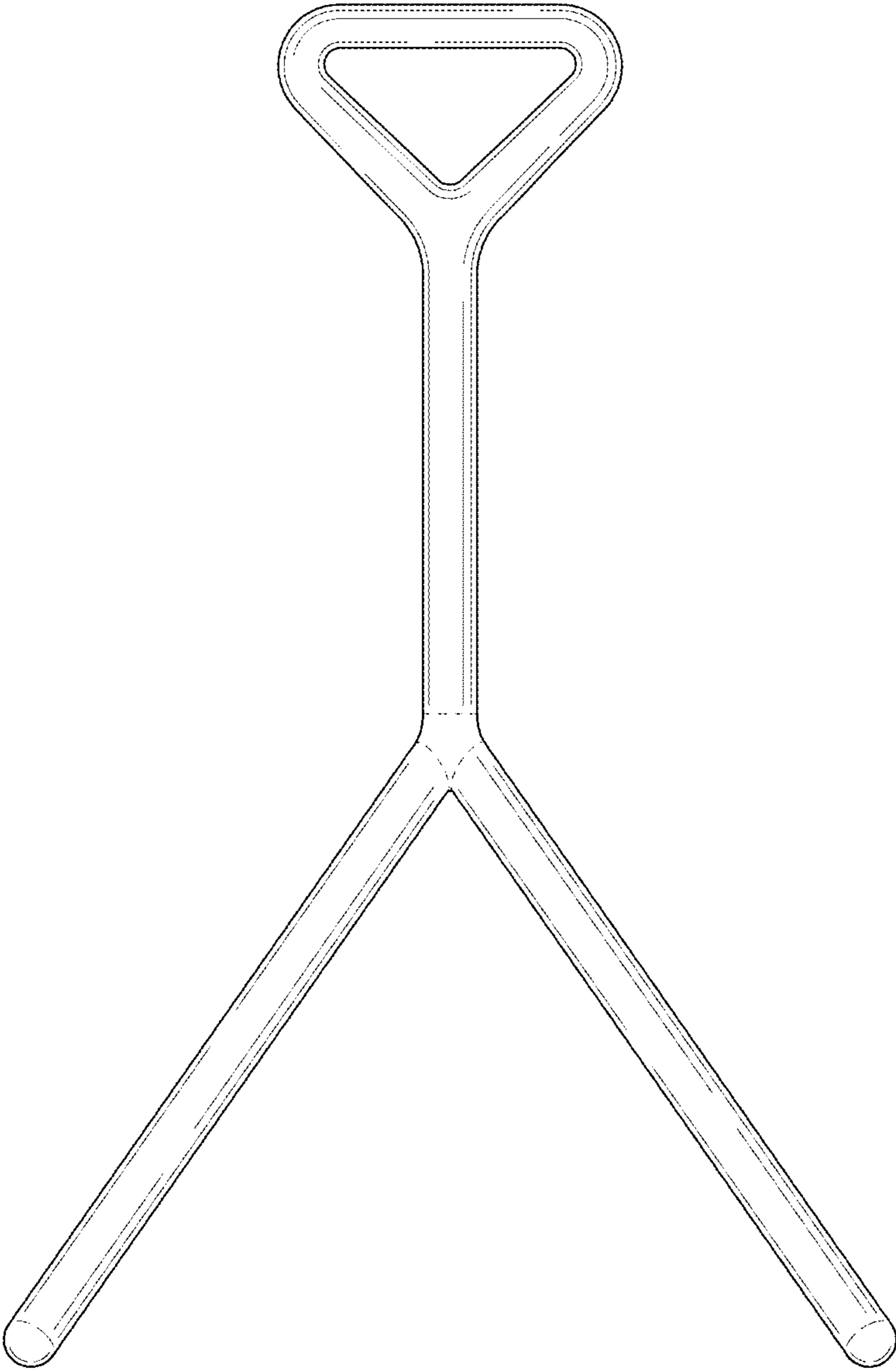


FIG. 3

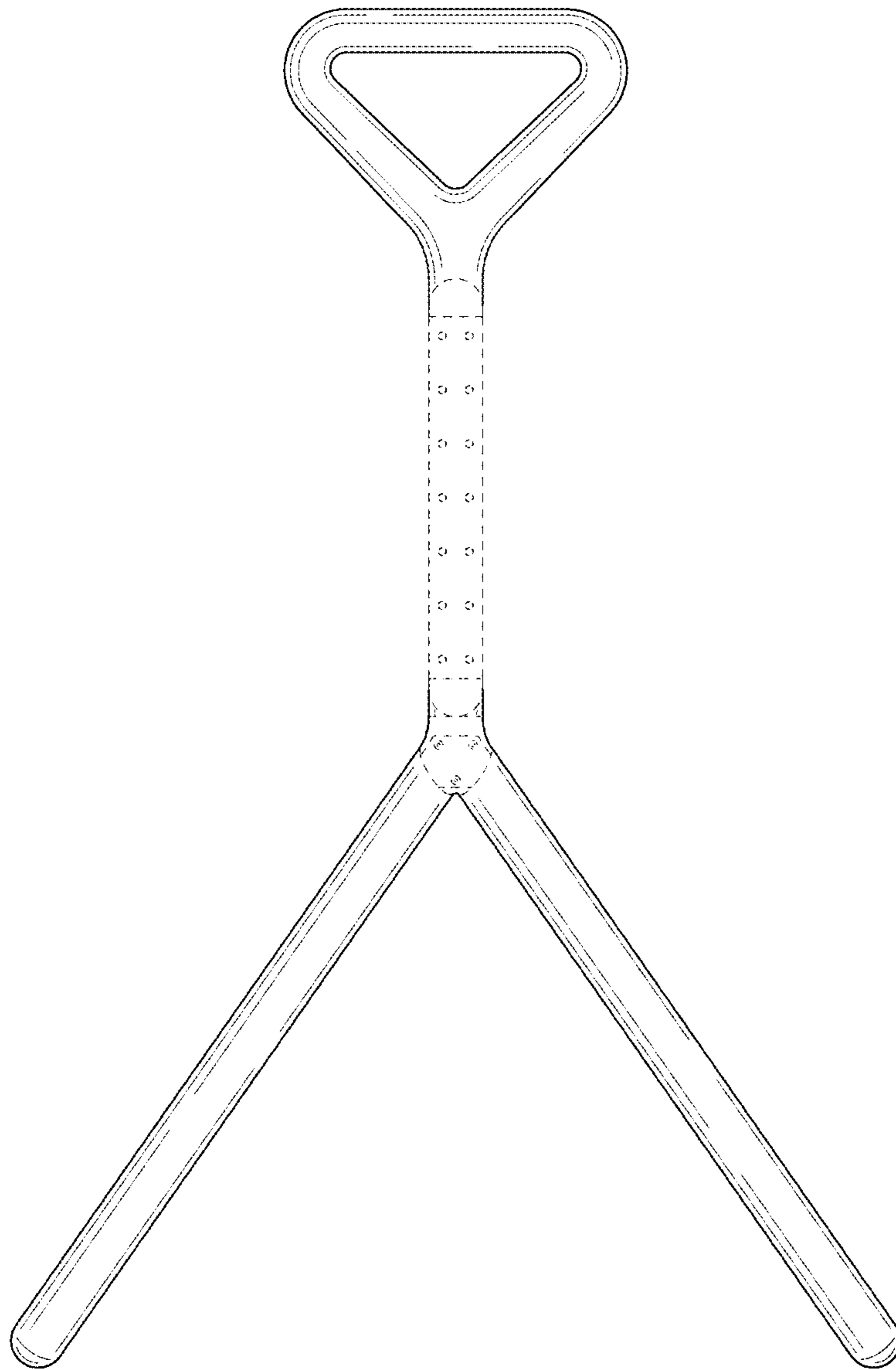


FIG. 4

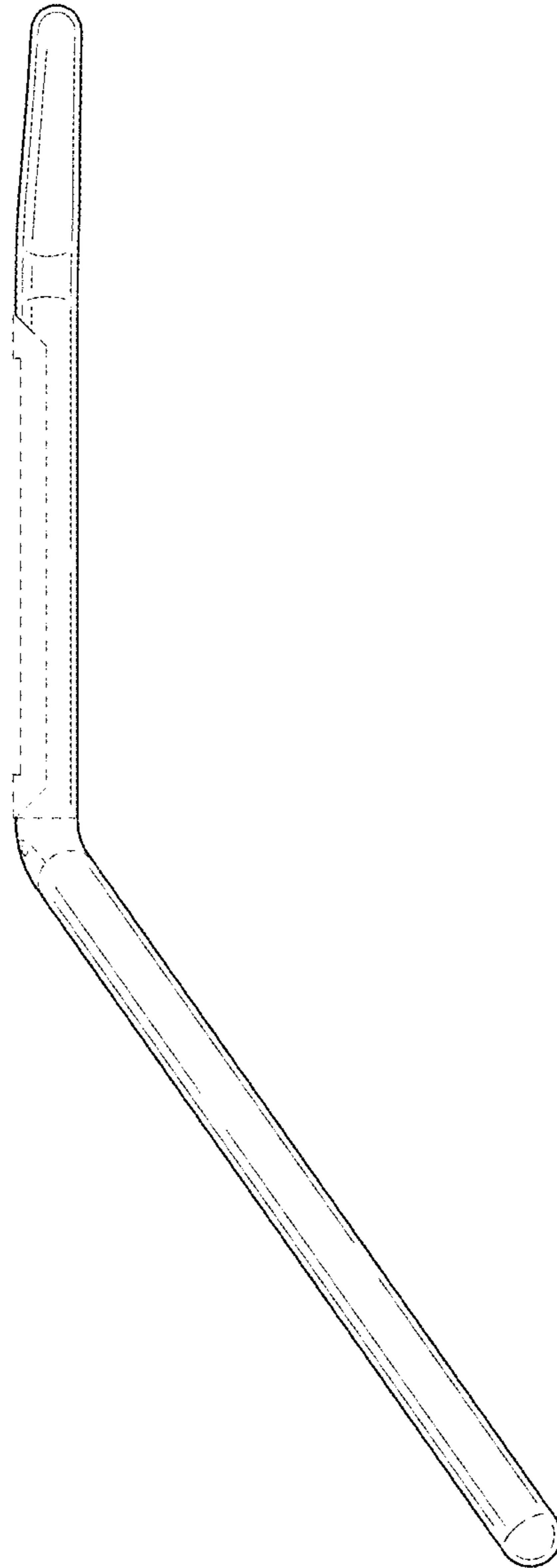


FIG. 5

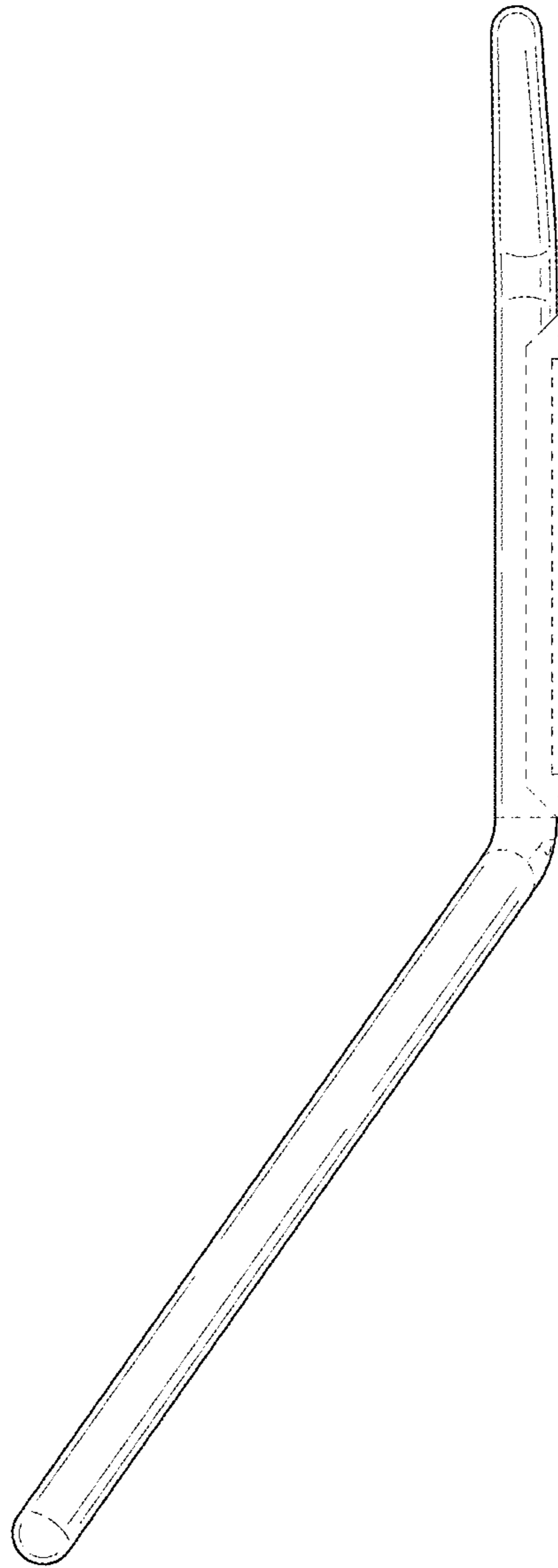


FIG. 6

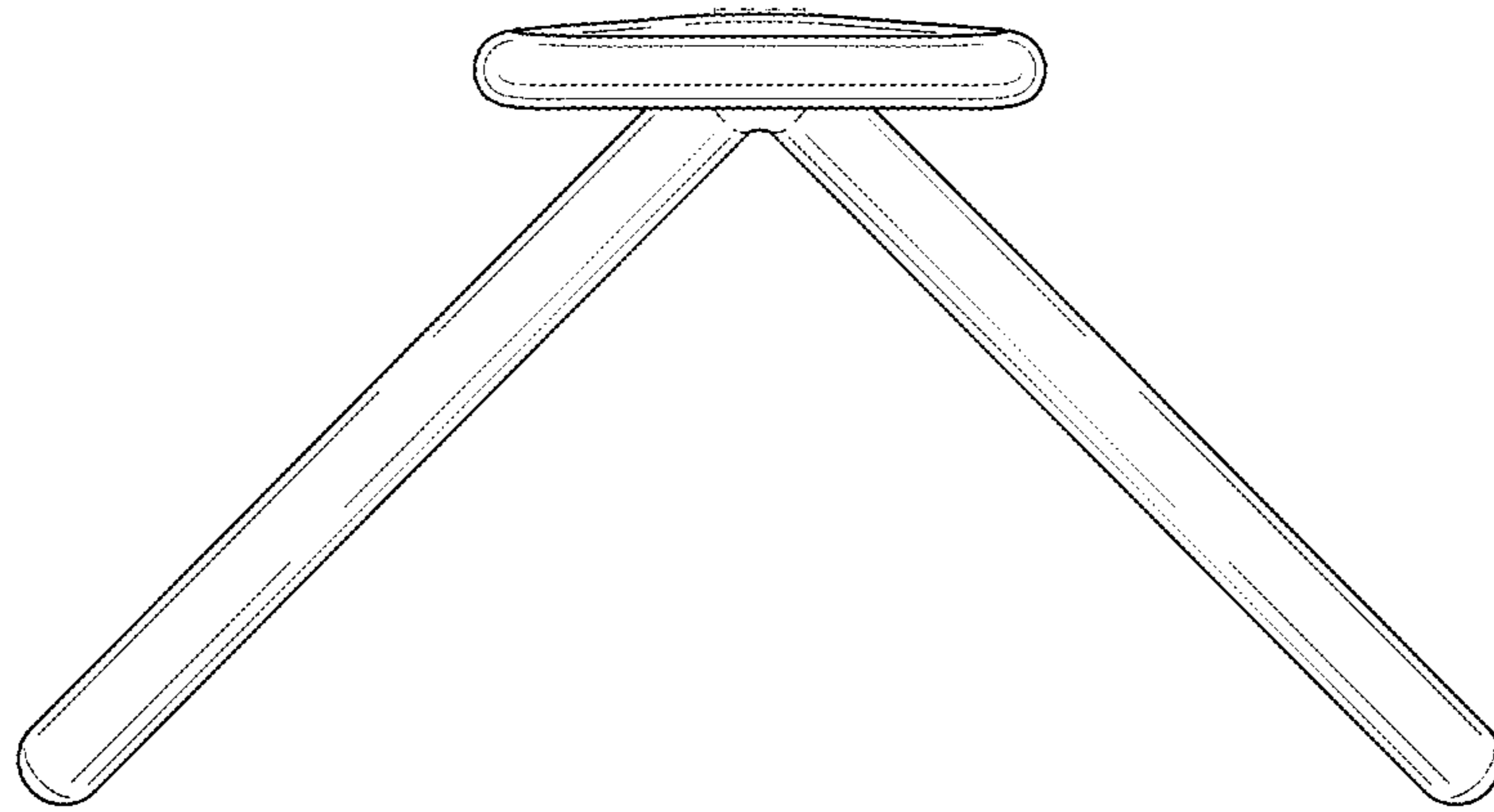


FIG. 7

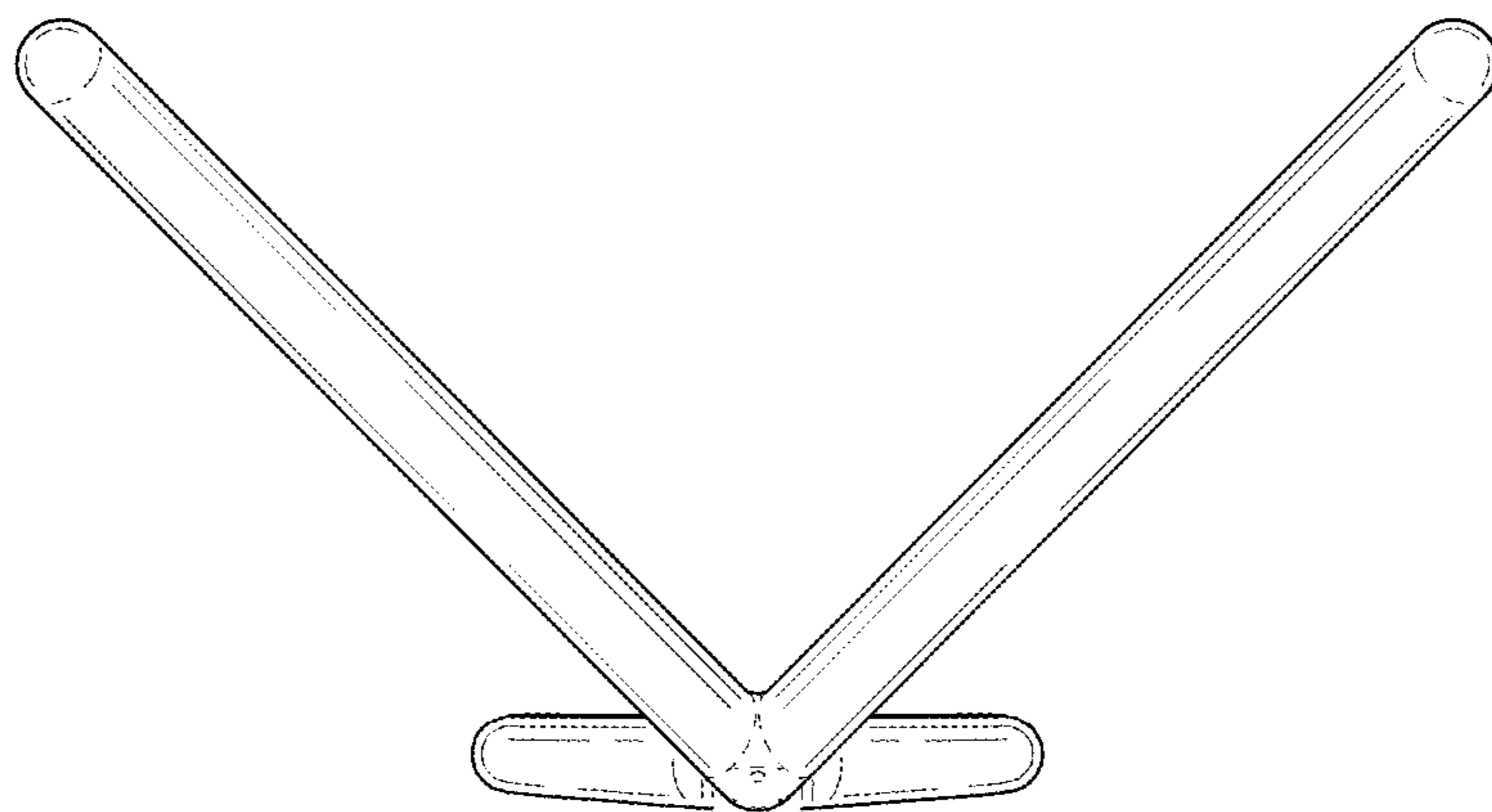


FIG. 8

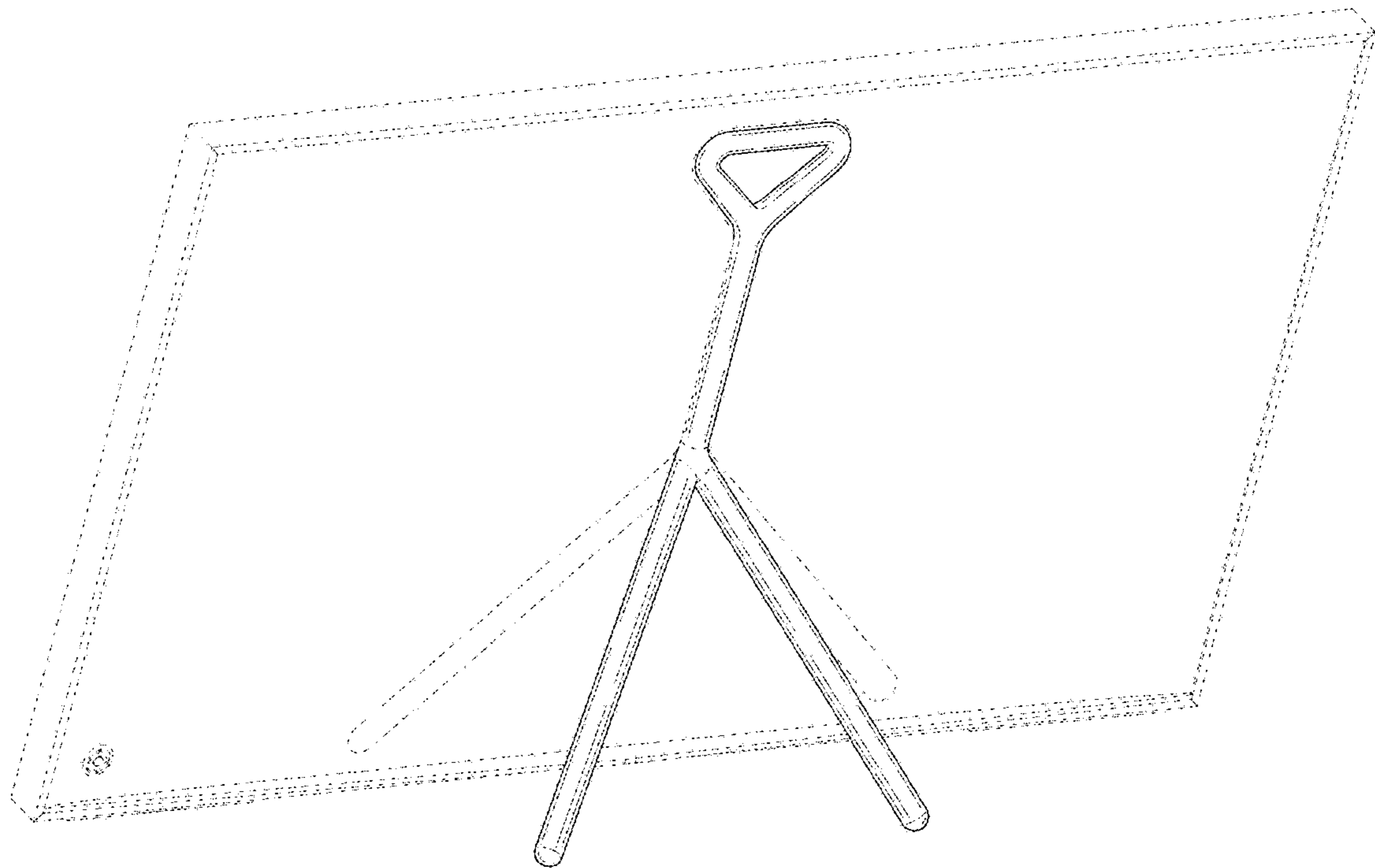


FIG. 9

