



US00D808939S

(12) **United States Design Patent** (10) **Patent No.:** **US D808,939 S**  
**Tinaphong et al.** (45) **Date of Patent:** **\*\* Jan. 30, 2018**

(54) **TELEVISION ANTENNA** D306,862 S \* 3/1990 Kent ..... D14/230  
D310,224 S 8/1990 Cooper ..... D14/230  
(71) Applicant: **VOXX International Corporation,** D332,262 S 1/1993 Borhardt ..... D14/230  
Hauppauge, NY (US) (Continued)

(72) Inventors: **Prapan Paul Tinaphong,** Carmel, IN  
(US); **David A. Benedetti,** Carmel, IN  
(US); **Chung Hua Hung,** Kaohsiung  
Hsien (TW); **Kevin Kei Kwan Lee,**  
Victoria (AU)

**FOREIGN PATENT DOCUMENTS**

CN 3021824 \* 11/1993  
CN 303409202 \* 10/2015

(73) Assignee: **VOXX International Corporation,**  
Hauppauge, NY (US)

**OTHER PUBLICATIONS**

AmazonSmile: TERK Trinity Trimodal HDTV Indoor Amplified  
Antenna, review Oct. 2016, [https://smile.amazon.com/Trinity-Trimodal-Indoor-Amplified-Antenna/dp/B01DOKIJRC/ref=cm\\_cr\\_ar\\_p\\_d\\_product\\_top?ie=UTF8](https://smile.amazon.com/Trinity-Trimodal-Indoor-Amplified-Antenna/dp/B01DOKIJRC/ref=cm_cr_ar_p_d_product_top?ie=UTF8), site visited Sep. 19, 2017.\*

(\*\*) Term: **15 Years**

(Continued)

(21) Appl. No.: **29/602,616**

(22) Filed: **May 2, 2017**

*Primary Examiner* — John Windmuller

*Assistant Examiner* — John R Yeh

**Related U.S. Application Data**

(62) Division of application No. 29/545,301, filed on Nov.  
11, 2015, now Pat. No. Des. 788,084.

(74) *Attorney, Agent, or Firm* — Bodner & O'Rourke,  
LLP; Gerald T. Bodner; Christian P. Bodner

(51) **LOC (11) Cl.** ..... **14-03**

(57) **CLAIM**

(52) **U.S. Cl.**  
USPC ..... **D14/230**

The ornamental design for a television antenna, as shown  
and described.

(58) **Field of Classification Search**  
USPC ..... D14/230  
CPC .. G08B 13/2468; G08B 13/2431; H01Q 1/40;  
H01Q 9/26  
See application file for complete search history.

**DESCRIPTION**

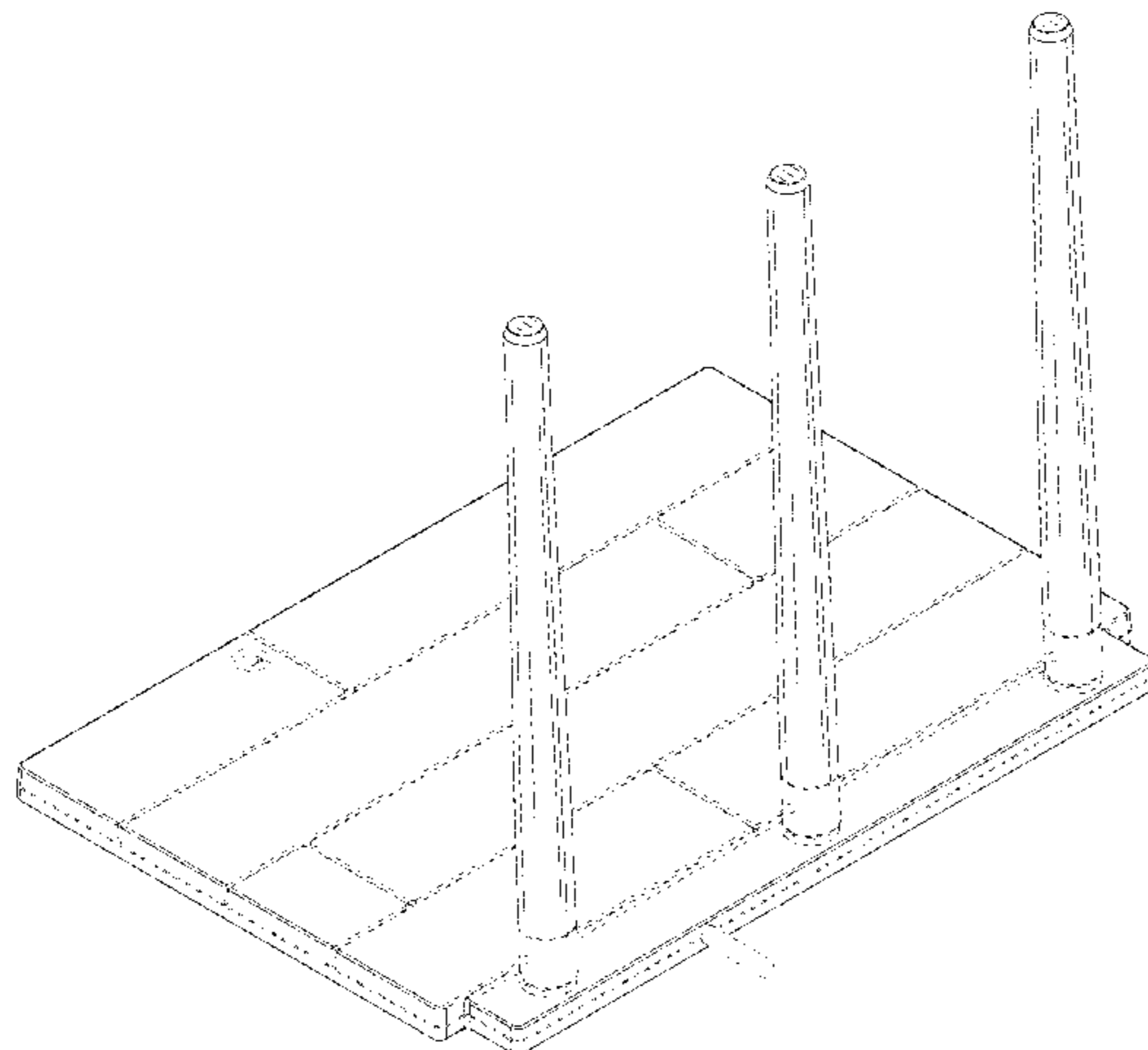
(56) **References Cited**

**U.S. PATENT DOCUMENTS**

2,657,312 A \* 10/1953 Saranga ..... H01Q 7/00  
333/33  
2,700,105 A \* 1/1955 Winegard ..... H01Q 5/49  
343/795  
3,324,476 A \* 6/1967 Smith, Jr. .... H01Q 7/00  
343/743  
3,478,361 A \* 11/1969 Middlemark ..... H01Q 1/24  
343/730  
D294,026 S 2/1988 Shinkawa ..... D14/230

FIG. 1 is a top perspective view for a television antenna  
showing our new design;  
FIG. 2 is a bottom perspective view thereof;  
FIG. 3 is a top plan view thereof;  
FIG. 4 is a bottom plan view thereof;  
FIG. 5 is a left elevational view thereof;  
FIG. 6 is a right elevational view thereof;  
FIG. 7 is a front elevational view thereof; and,  
FIG. 8 is a rear elevational view thereof.  
The broken lines in the drawings represent portions of the  
television antenna that form no part of the claimed design.

**1 Claim, 6 Drawing Sheets**



(56)

References Cited

U.S. PATENT DOCUMENTS

D345,982 S 4/1994 Lucey ..... D14/230  
 D347,010 S \* 5/1994 Emmerling ..... D14/230  
 D371,560 S 7/1996 Fenton et al. .... D14/230  
 D372,545 S 8/1996 Schultz ..... D25/138  
 D391,965 S \* 3/1998 Kimura ..... D14/230  
 D391,966 S \* 3/1998 Mischenko ..... D14/230  
 D414,777 S \* 10/1999 Tsai ..... 343/702  
 D421,017 S 2/2000 Phipps ..... D14/230  
 D472,892 S 4/2003 Tourres ..... D14/230  
 D490,424 S 5/2004 Yamanashi ..... D14/358  
 D491,926 S 6/2004 Tai et al. .... D14/230  
 7,006,053 B2 2/2006 Zigler et al. .... 343/878  
 D517,535 S 3/2006 Wu ..... D14/230  
 D520,498 S \* 5/2006 Lin ..... D14/230  
 D525,967 S \* 8/2006 Hsiau ..... D14/230  
 D579,446 S 10/2008 Imano et al. .... D14/230  
 D585,435 S \* 1/2009 Wafer ..... D14/230  
 D596,177 S 7/2009 Steele et al. .... D14/358  
 D598,577 S 8/2009 Li ..... D25/138  
 D637,837 S 5/2011 Kubota ..... D25/138  
 8,174,457 B1 5/2012 Lam ..... 343/828  
 D710,834 S 8/2014 Jeon et al. .... D14/230  
 D712,568 S 9/2014 Canales ..... D25/104  
 D740,449 S 10/2015 Huang ..... D25/151  
 D748,079 S 1/2016 Dinsdale et al. .... D14/230  
 D751,054 S 3/2016 Chou et al. .... D14/230

D788,084 S \* 5/2017 Tinaphong ..... D14/230  
 2004/0239567 A1 \* 12/2004 Van Der Poel ..... H01Q 9/0414  
 343/700 MS  
 2005/0259022 A1 11/2005 Wang ..... 343/764  
 2005/0259023 A1 \* 11/2005 Wang ..... H01Q 7/00  
 343/764  
 2007/0285328 A1 \* 12/2007 Mariola ..... H01Q 13/10  
 343/767  
 2008/0111761 A1 \* 5/2008 Kan ..... H01Q 9/16  
 343/873  
 2012/0229358 A1 \* 9/2012 Doneker ..... H01Q 1/526  
 343/848  
 2014/0266971 A1 \* 9/2014 Bedicks Junior ..... H01Q 1/24  
 343/888  
 2014/0368400 A1 12/2014 Lin et al. .... 343/843  
 2017/0133764 A1 \* 5/2017 Tinaphong ..... H01Q 1/2291  
 2017/0263997 A1 \* 9/2017 Daniel ..... H01Q 1/08

OTHER PUBLICATIONS

Amazon.com: Terk Trinity Trimodal HDTV Indoor Amplified Antenna, oldest review Nov. 23, 2016, <https://www.amazon.com/Trinity-Trimodal-Indoor-Amplified-Antenna/dp/B01D0-KIJRC/ref=cm.sub.--cr.sub.--arp.sub.--d.sub.--product.sub.--top?ie=UTF8> (no longer available).

\* cited by examiner

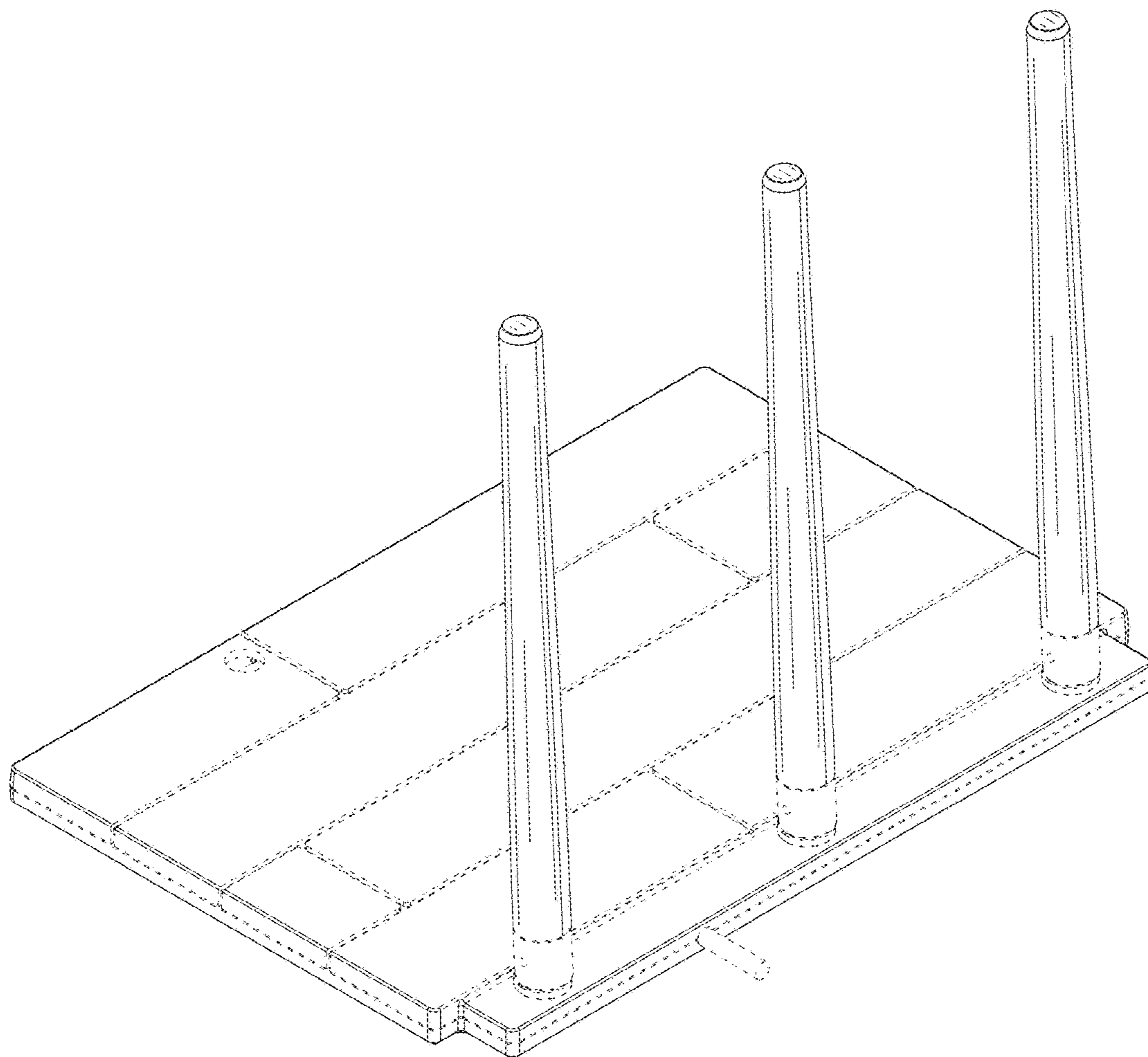


FIG. 1

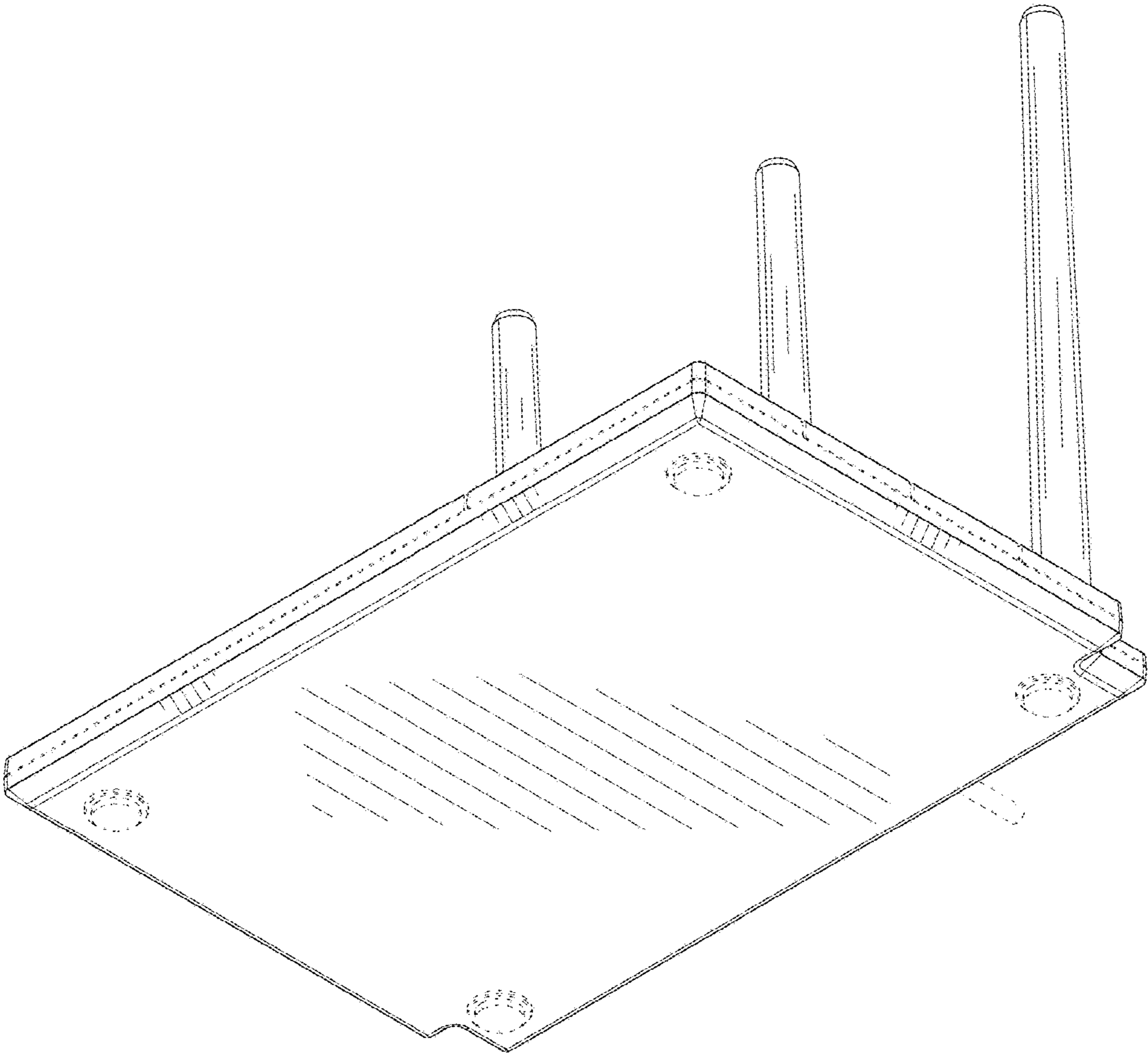


FIG. 2

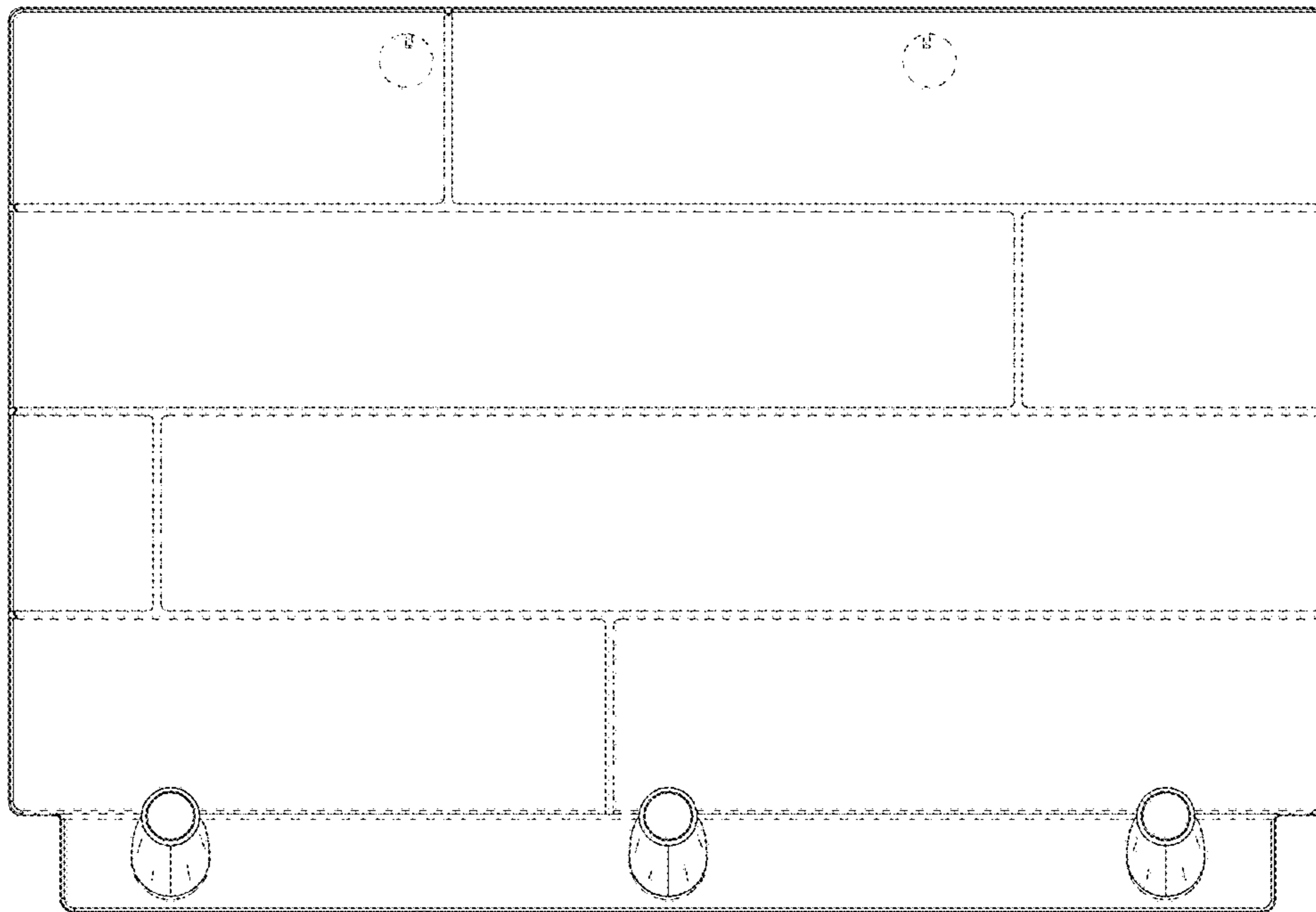


FIG. 3

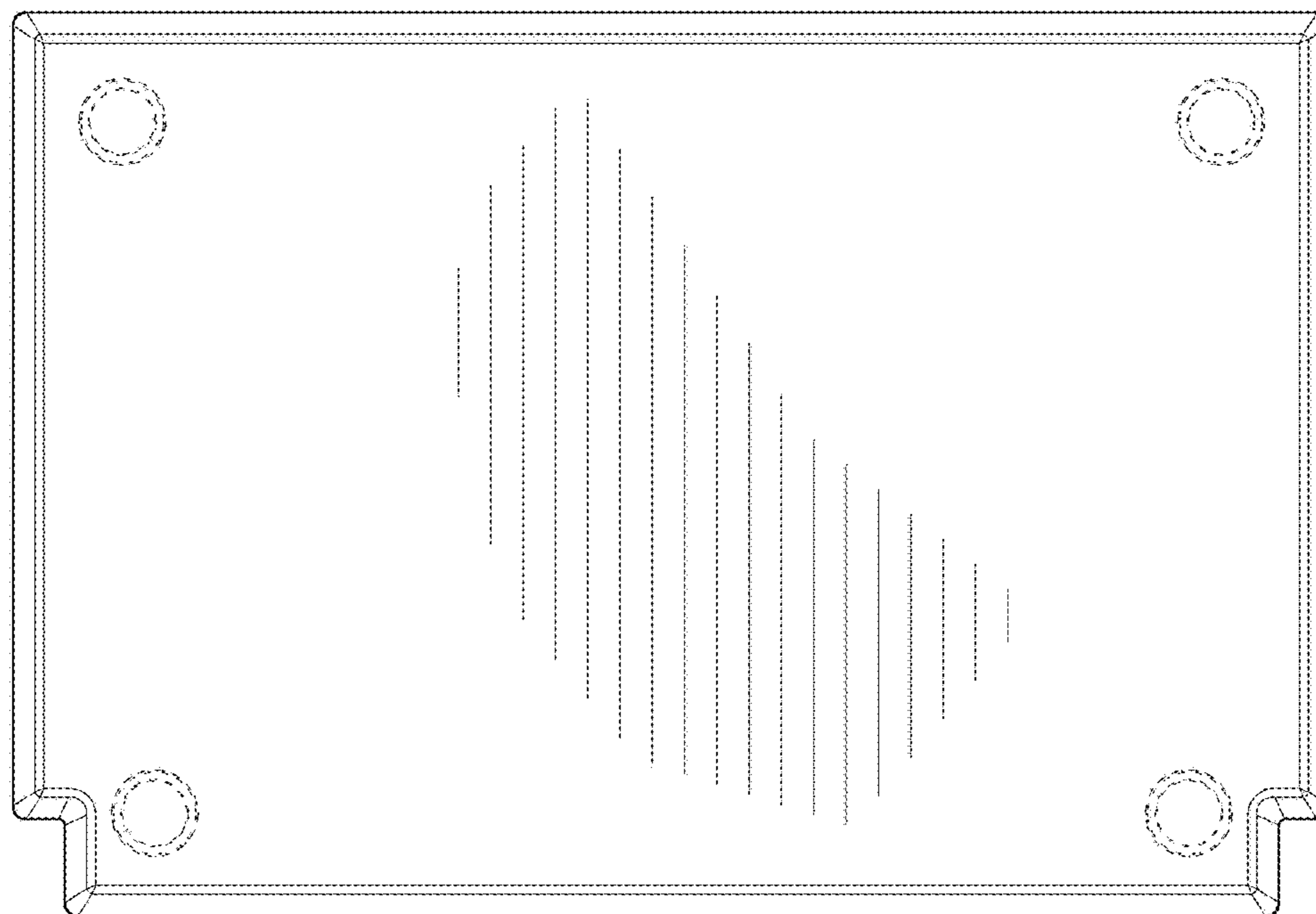


FIG. 4

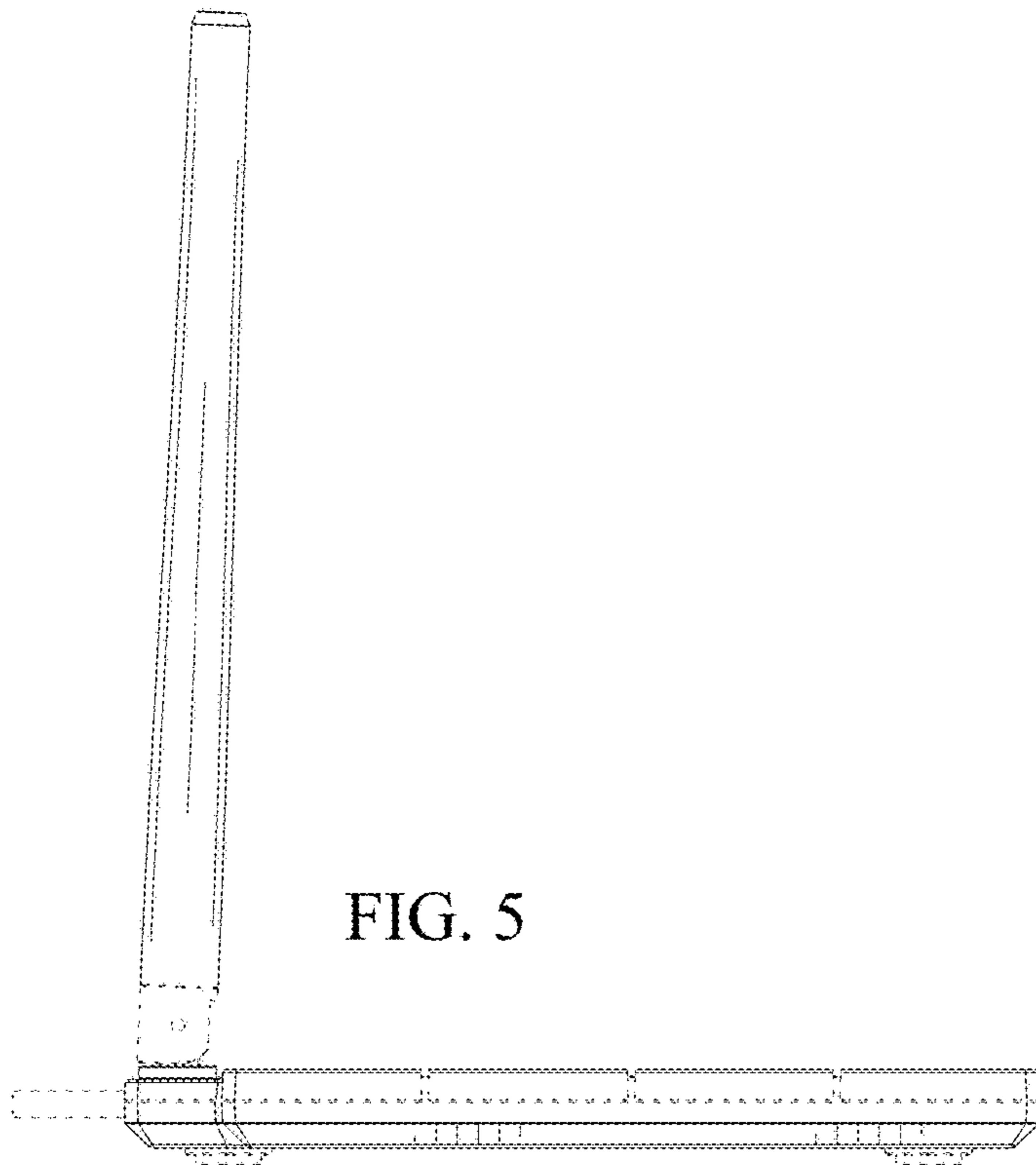


FIG. 5

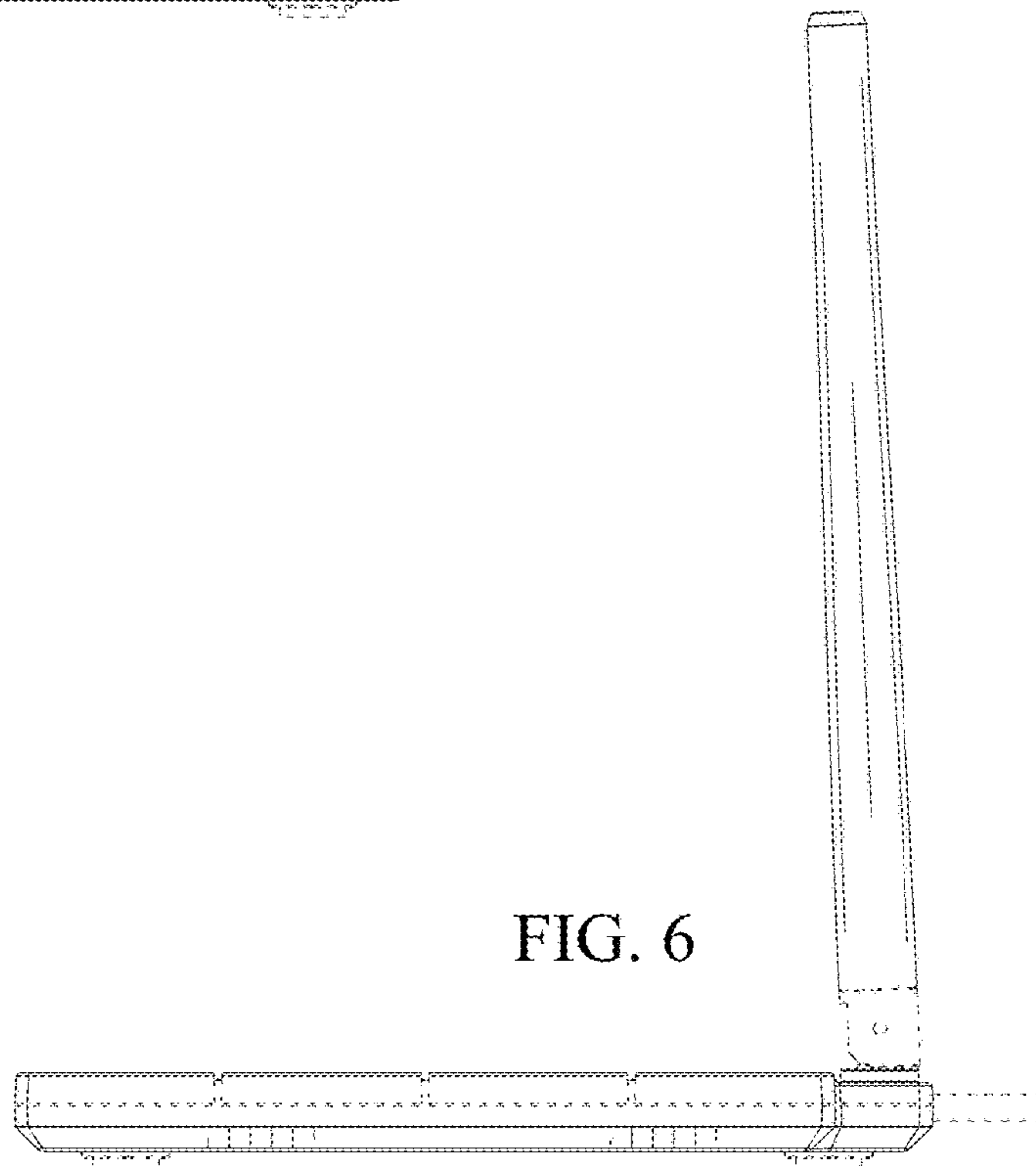


FIG. 6

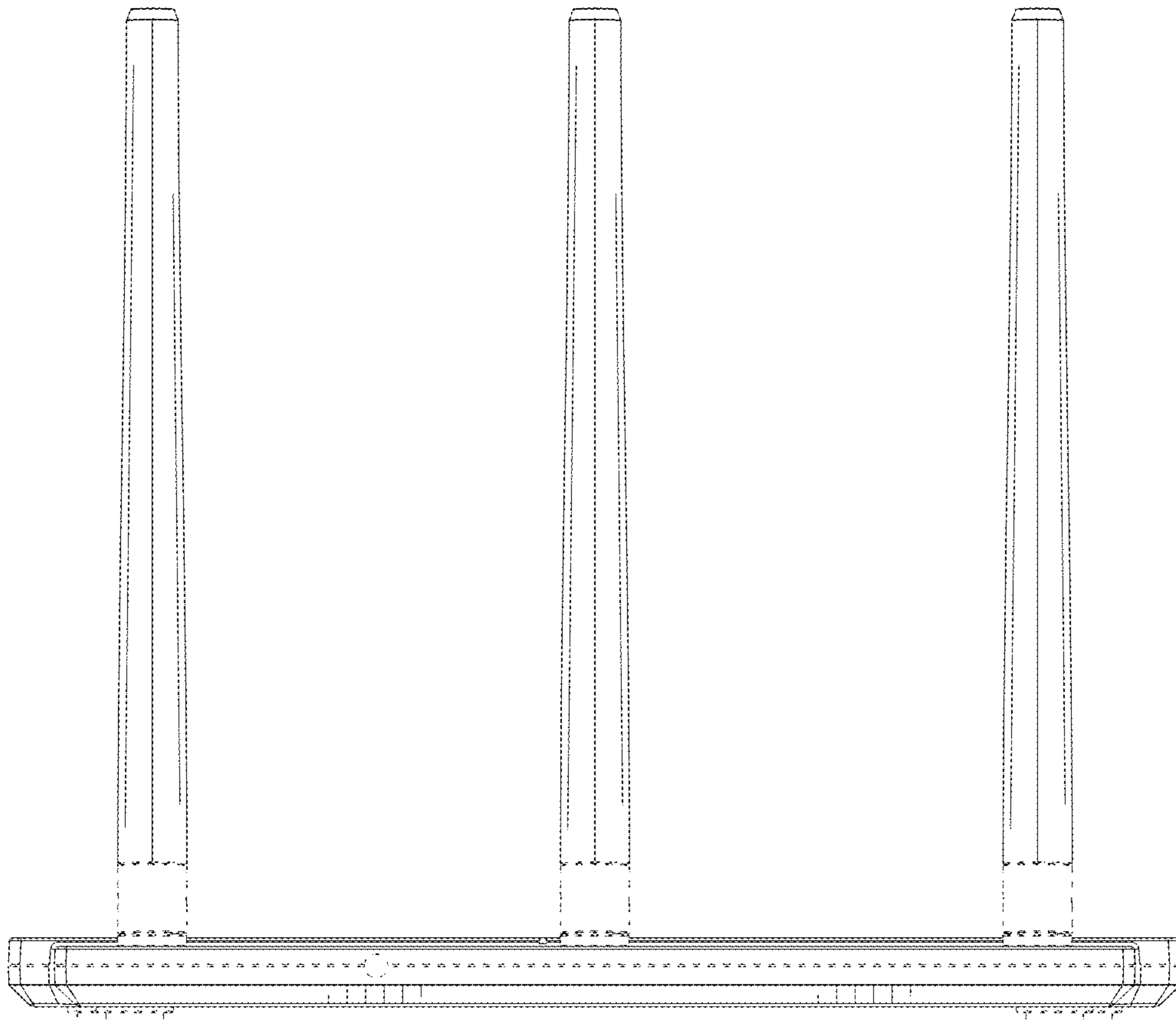


FIG. 7

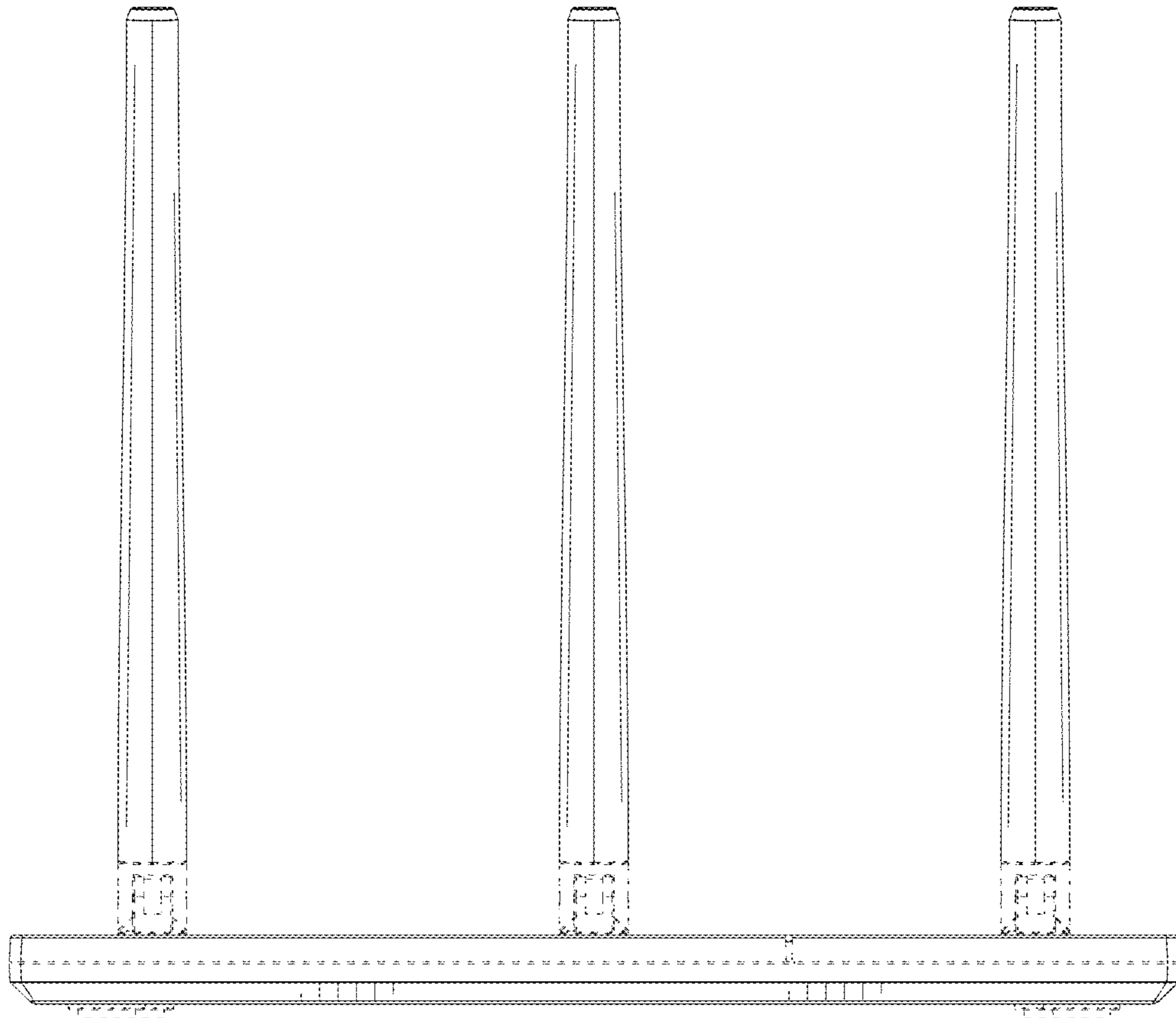


FIG. 8