



US00D808937S

(12) **United States Design Patent**
Zheng

(10) **Patent No.:** **US D808,937 S**

(45) **Date of Patent:** **** Jan. 30, 2018**

(54) **MICROPHONE**

(71) Applicant: **Liangyi Zheng**, Shantou (CN)

(72) Inventor: **Liangyi Zheng**, Shantou (CN)

(**) Term: **15 Years**

(21) Appl. No.: **29/589,469**

(22) Filed: **Dec. 30, 2016**

(51) **LOC (11) Cl.** **14-01**

(52) **U.S. Cl.**
USPC **D14/227**

(58) **Field of Classification Search**
USPC D14/225–229, 208; 181/158; 381/363,
381/355; 248/159, 676; D23/378, 411;
211/166; 403/327
CPC . H04R 1/02; H04R 25/00; H05K 5/00; H05K
5/02

See application file for complete search history.

(56) **References Cited**

U.S. PATENT DOCUMENTS

1,771,271	A *	7/1930	Pommer	A61C 19/008 206/83
2,131,593	A *	9/1938	Marshall	H04R 1/083 181/148
D150,458	S *	8/1948	Pike	D14/227
2,459,785	A *	1/1949	Allerton	F16B 7/1427 211/166
2,532,173	A *	11/1950	Lewis	H04R 1/08 248/413
2,567,875	A *	9/1951	Carrington	H04R 1/083 181/242
D185,712	S *	7/1959	Kamp	D14/225
3,005,905	A *	10/1961	Libson	F21V 33/00 362/294
D199,398	S *	10/1964	Freeman	D14/227
3,153,123	A *	10/1964	Harman	H04R 1/08 248/414

3,383,476	A *	5/1968	Morgan	H04R 1/222 181/158
3,414,686	A *	12/1968	Reinthal	H04R 1/08 181/242
3,452,955	A *	7/1969	Hartwig	H04R 1/08 248/229.26
3,459,902	A *	8/1969	Warning P	H04R 1/08 181/158
D220,015	S *	2/1971	Schremmer	D6/681
D220,108	S *	3/1971	Van de Poel	D14/228
3,573,401	A *	4/1971	Lininger	H04R 1/08 248/121
3,718,862	A *	2/1973	Norris	H04B 5/06 455/117
D233,669	S *	11/1974	Plice	D14/228
D247,707	S *	4/1978	Armstrong	D14/228
D296,100	S *	6/1988	Kubota	D14/228
D300,821	S *	4/1989	Kubota	D14/228

(Continued)

Primary Examiner — Paula Allen Greene

(74) *Attorney, Agent, or Firm* — Novoclaims Patent Services LLC; Mei Lin Wong

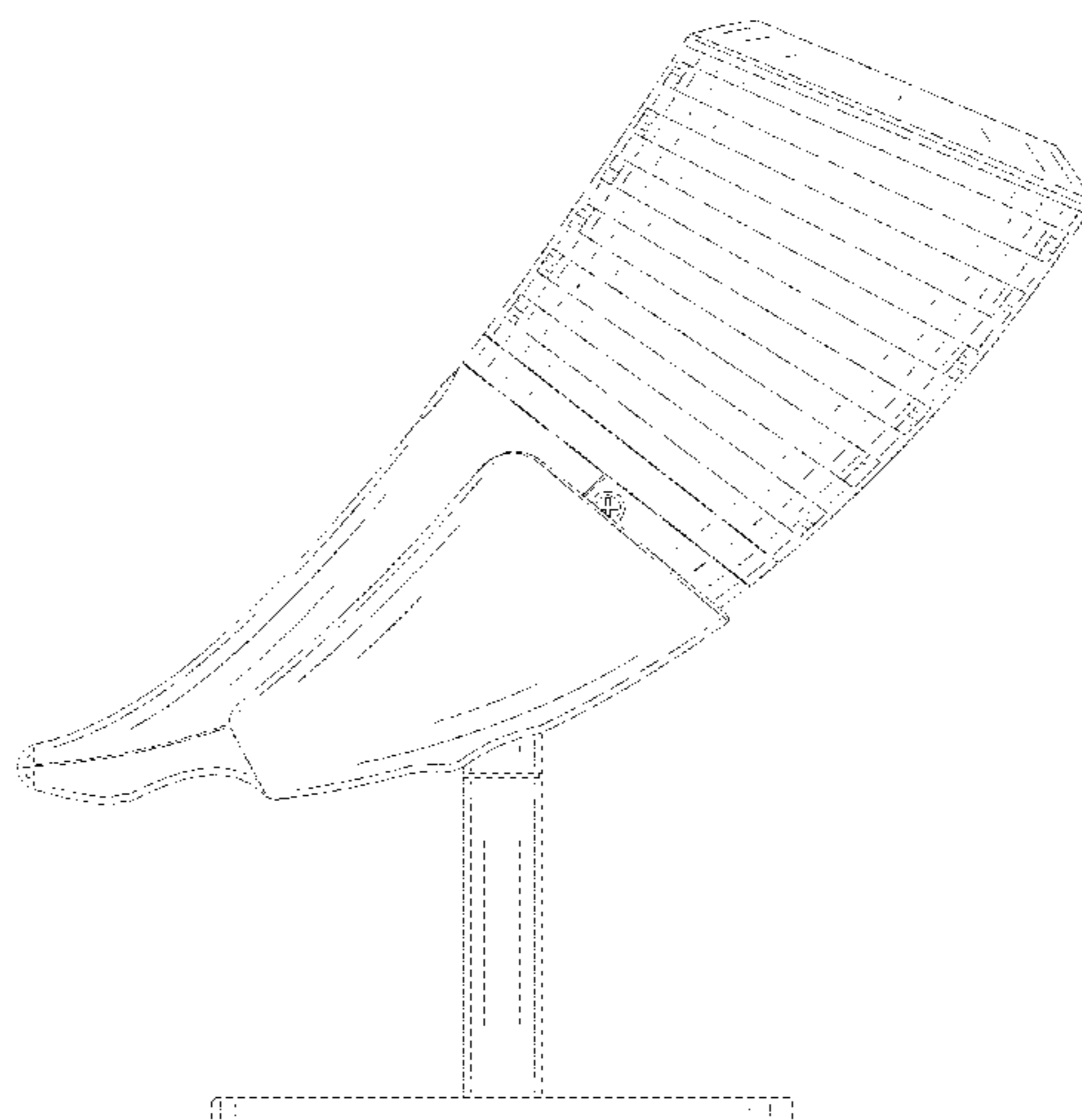
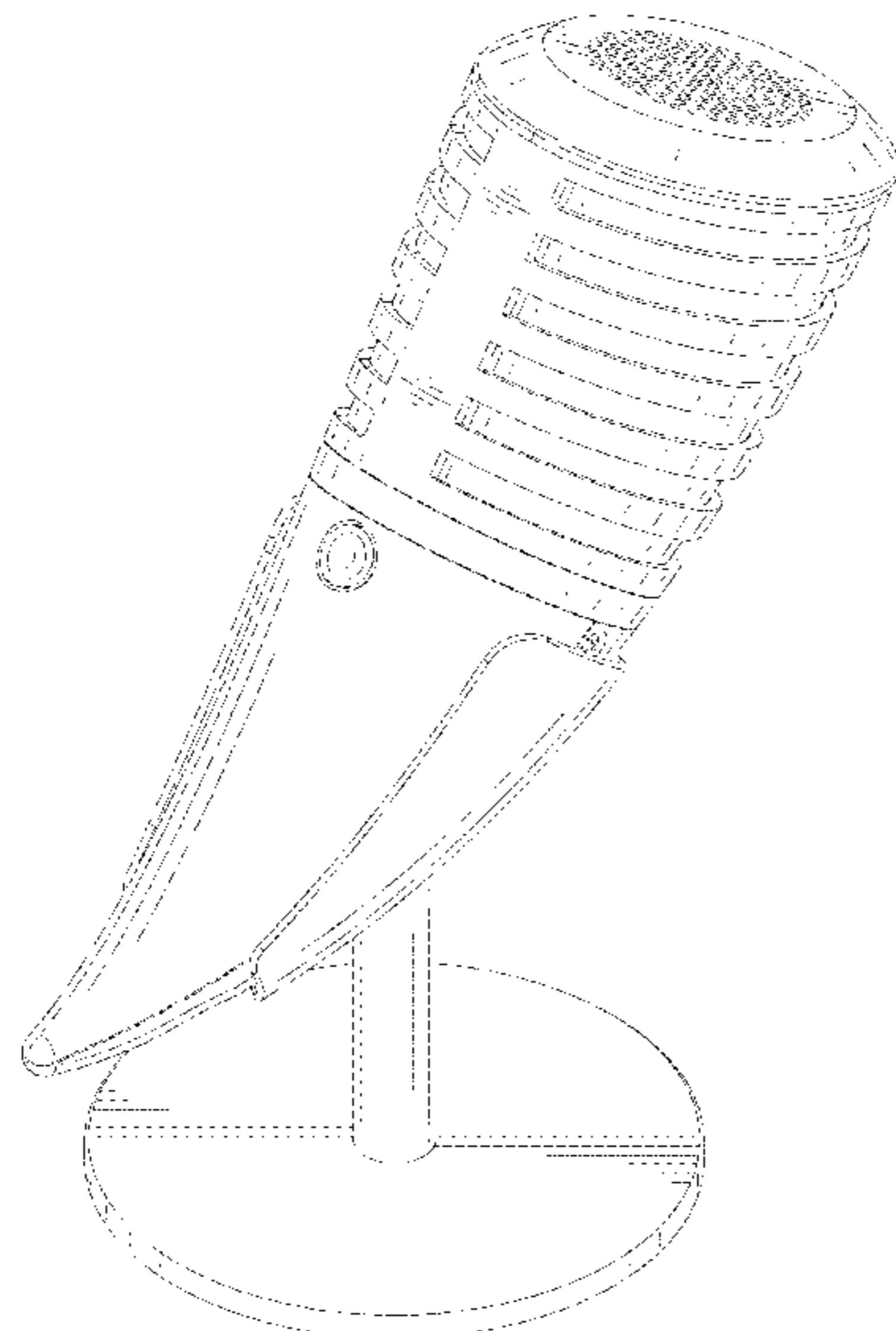
(57) **CLAIM**

The ornamental design for a microphone, as shown and described.

DESCRIPTION

FIG. 1 is a perspective view of a microphone showing my new design.
 FIG. 2 is a second perspective view showing from a different angle thereof.
 FIG. 3 is a third perspective view showing from a different angle thereof.
 FIG. 4 is a front view thereof.
 FIG. 5 is a rear view thereof.
 FIG. 6 is a left end view thereof.
 FIG. 7 is a right end view thereof.
 FIG. 8 is a top view thereof; and,
 FIG. 9 is a bottom view thereof.

1 Claim, 9 Drawing Sheets



(56)

References Cited

U.S. PATENT DOCUMENTS

D302,158	S	*	7/1989	Kubota	D14/225
D302,819	S	*	8/1989	Kubota	D14/225
4,984,278	A	*	1/1991	Frye	H04R 1/30 248/179.1
5,046,693	A	*	9/1991	Browne	F16B 9/023 248/159
5,048,789	A	*	9/1991	Eason	F16M 11/10 248/188.7
5,379,965	A	*	1/1995	Isler	B65H 75/22 242/586.6
5,675,660	A	*	10/1997	Townsend	H04R 1/086 381/189
5,893,541	A	*	4/1999	Michaelson	F16M 11/041 248/158
D464,041	S	*	10/2002	Ming-Cheng	D14/227
D563,396	S	*	3/2008	Probst	D14/228
D589,029	S	*	3/2009	Lee	D14/207
D691,125	S	*	10/2013	Cheon	D14/253
D719,140	S	*	12/2014	Sanhui	D14/225
D760,203	S	*	6/2016	Wise	D14/227
D760,204	S	*	6/2016	Wise	D14/227
D760,704	S	*	7/2016	Wise	D14/227

* cited by examiner

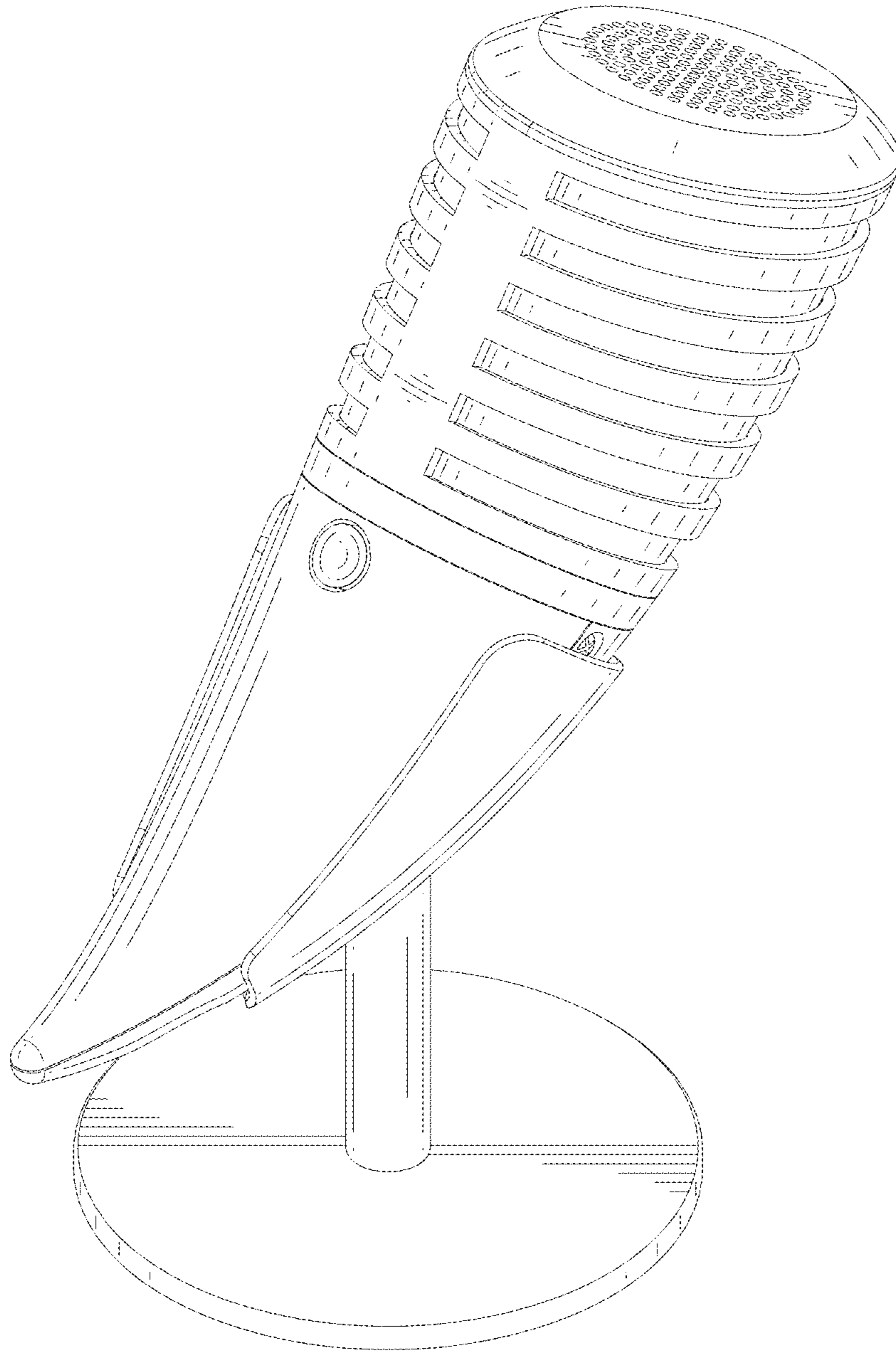


FIG. 1

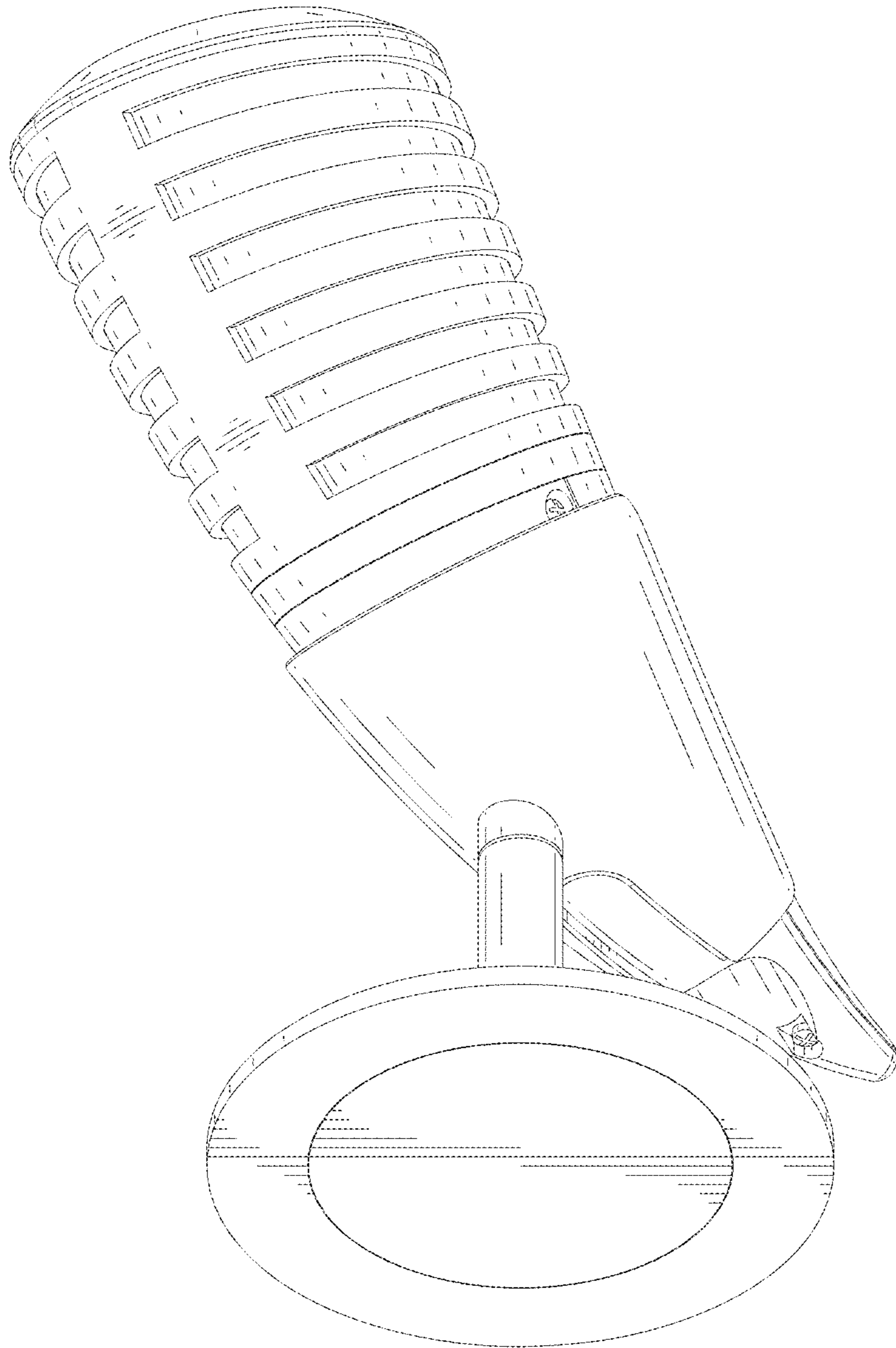


FIG.2

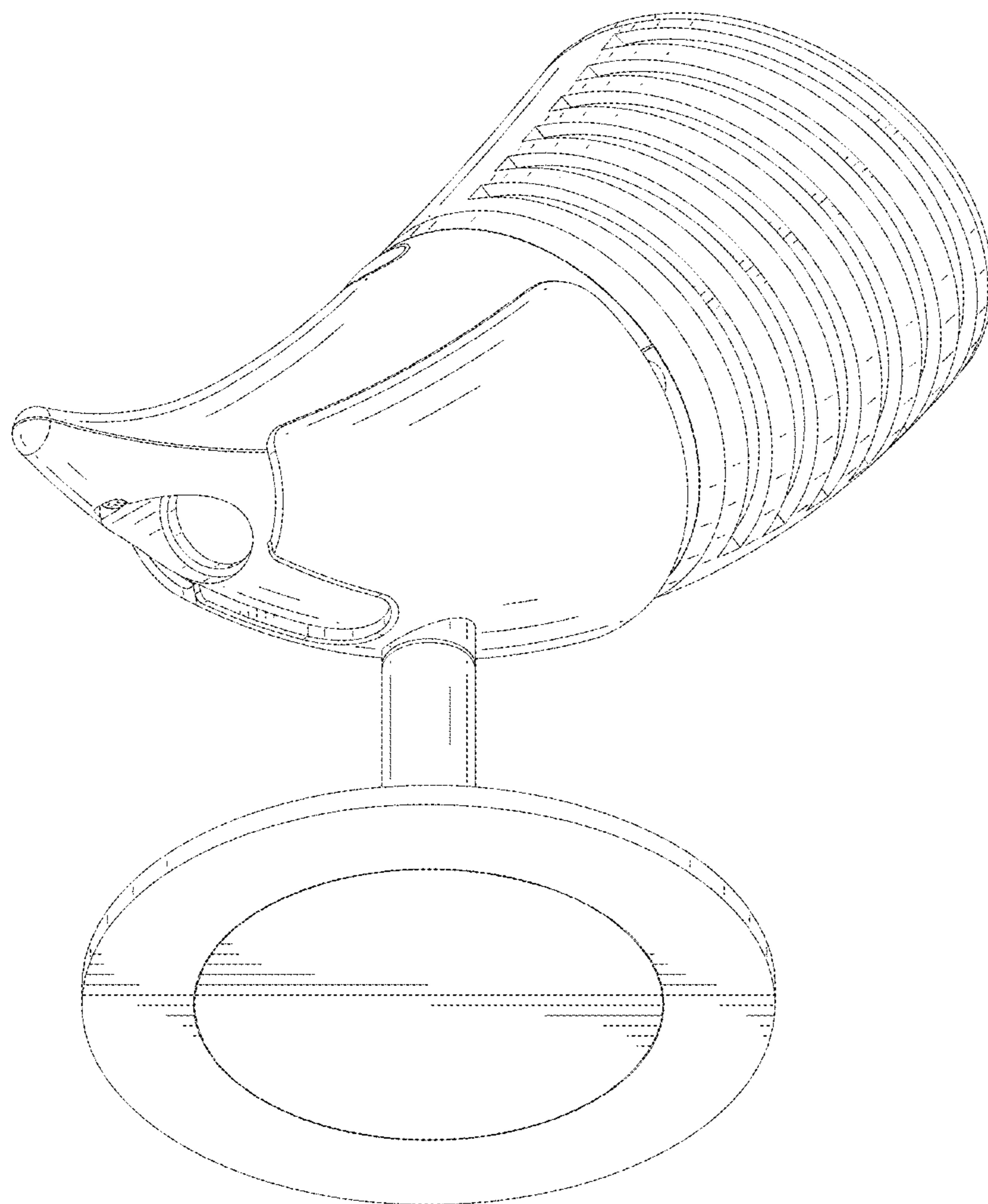


FIG.3

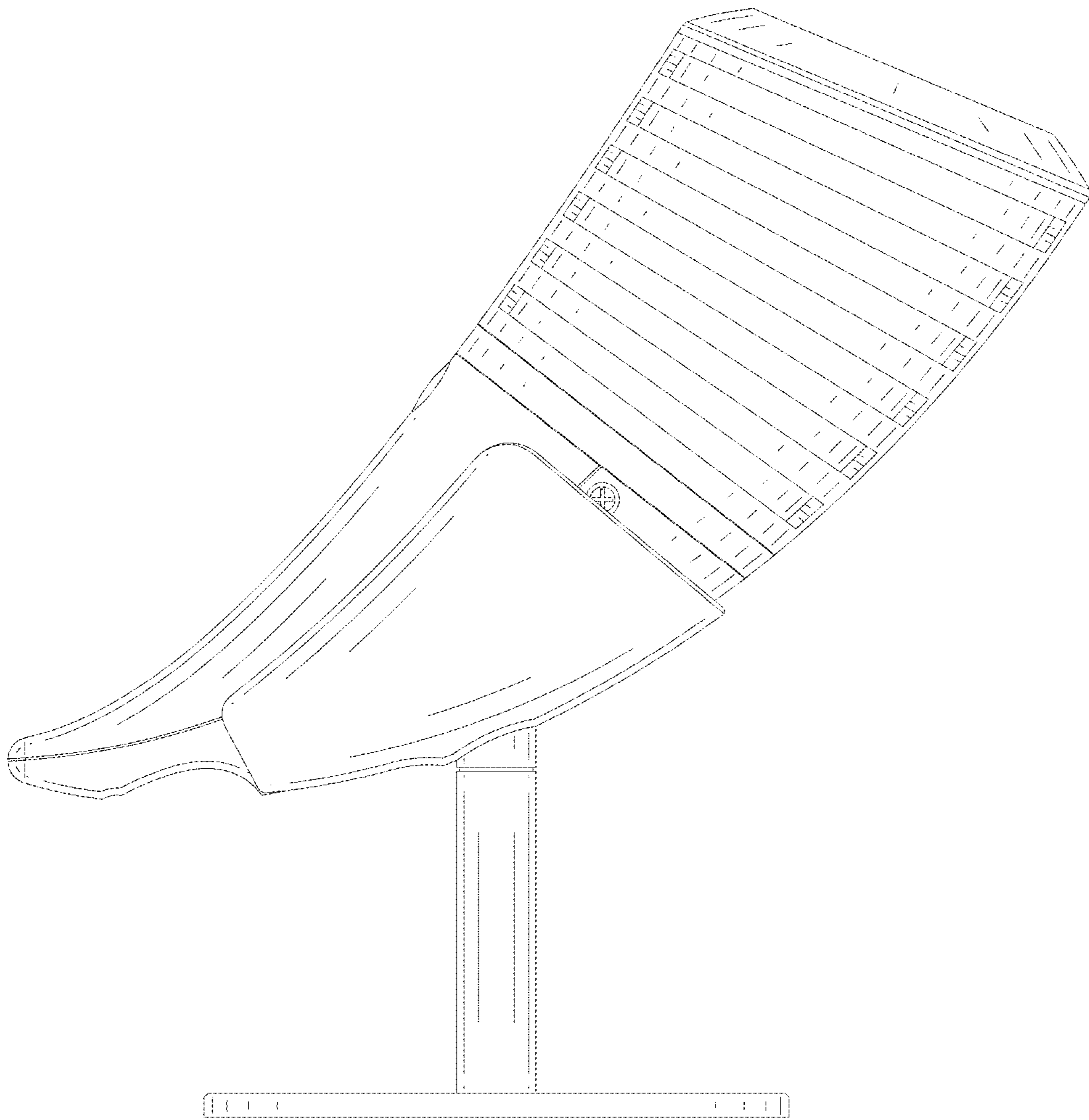


FIG.4

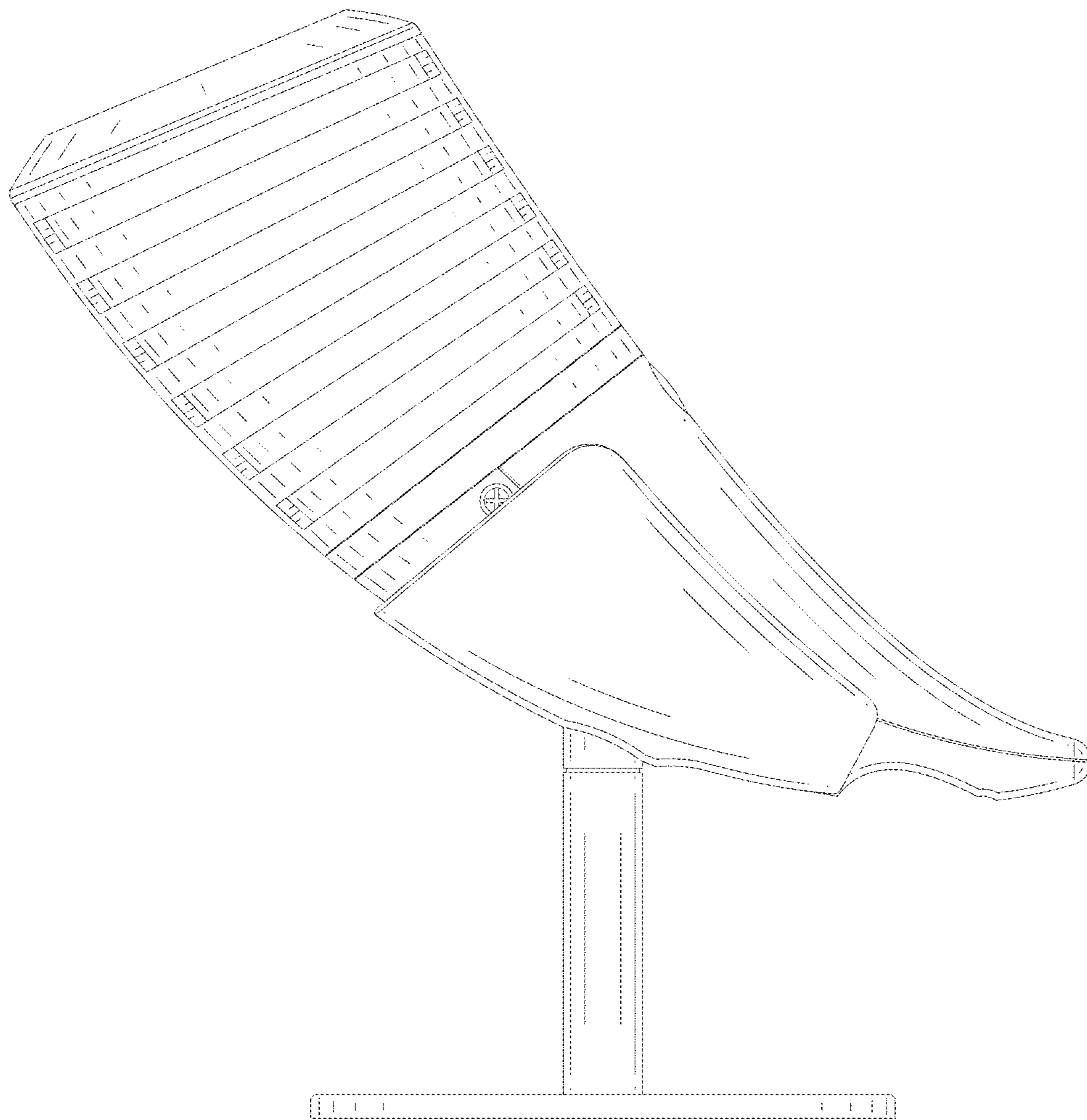


FIG.5

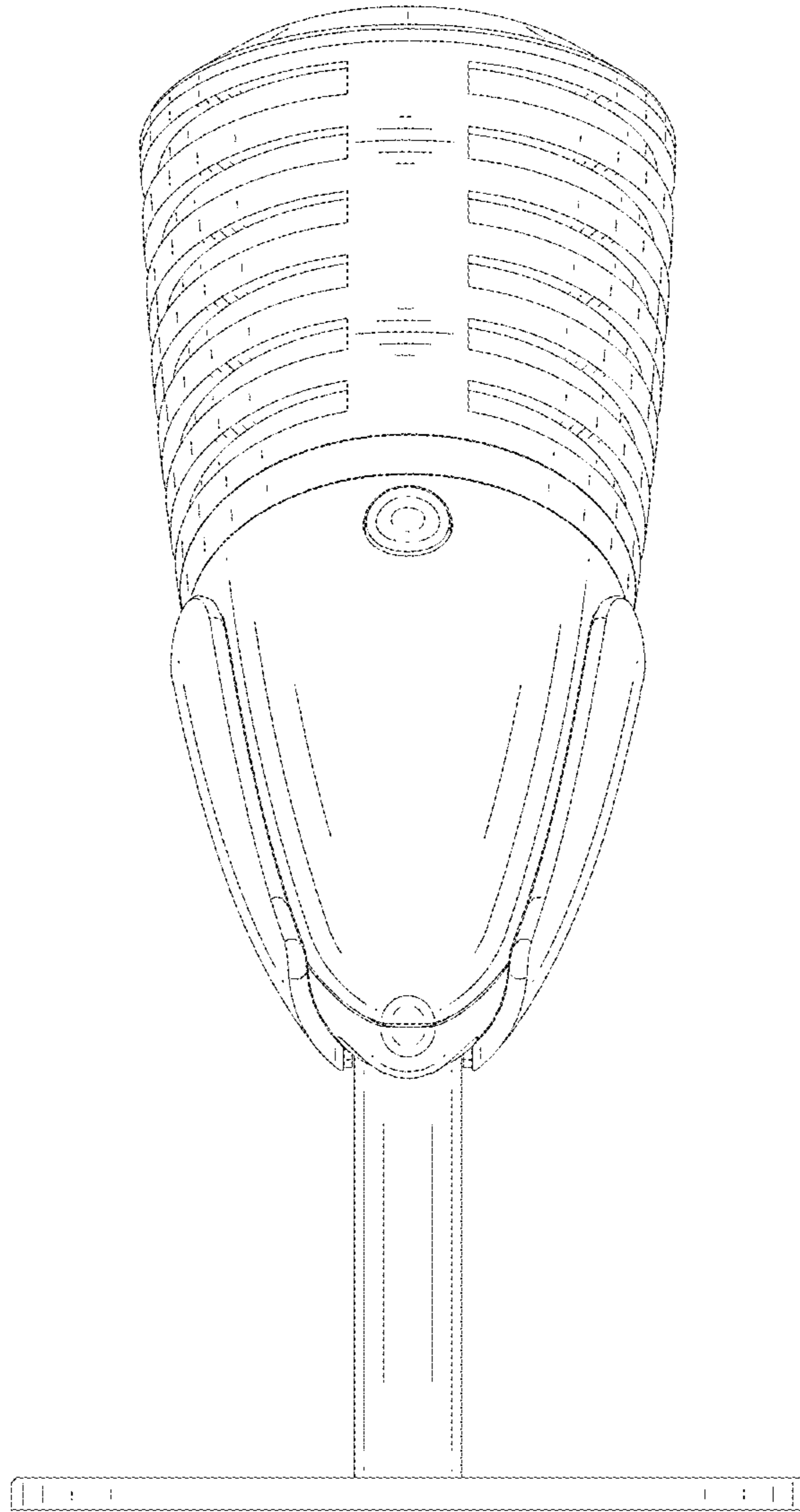


FIG.6

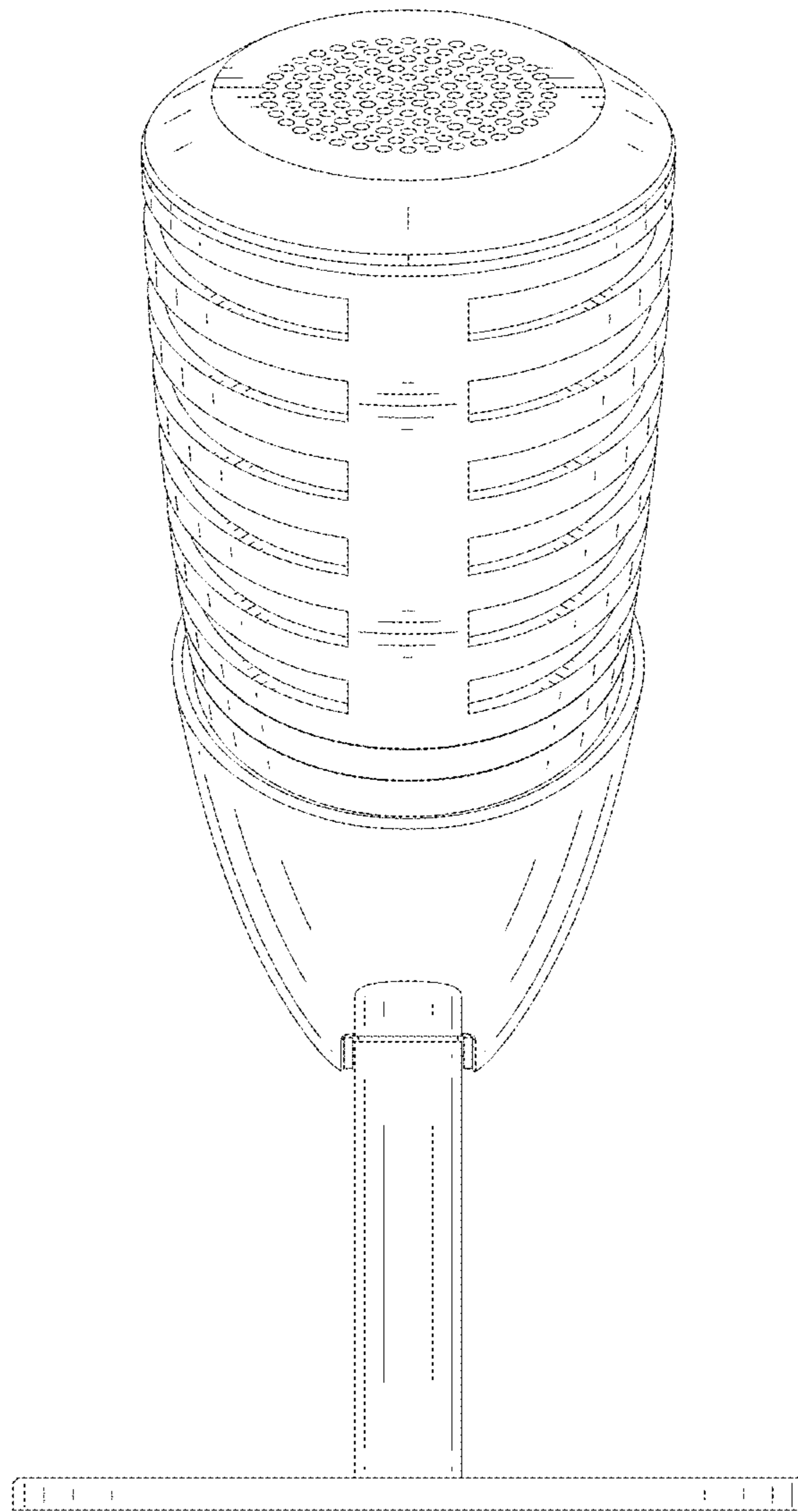


FIG.7

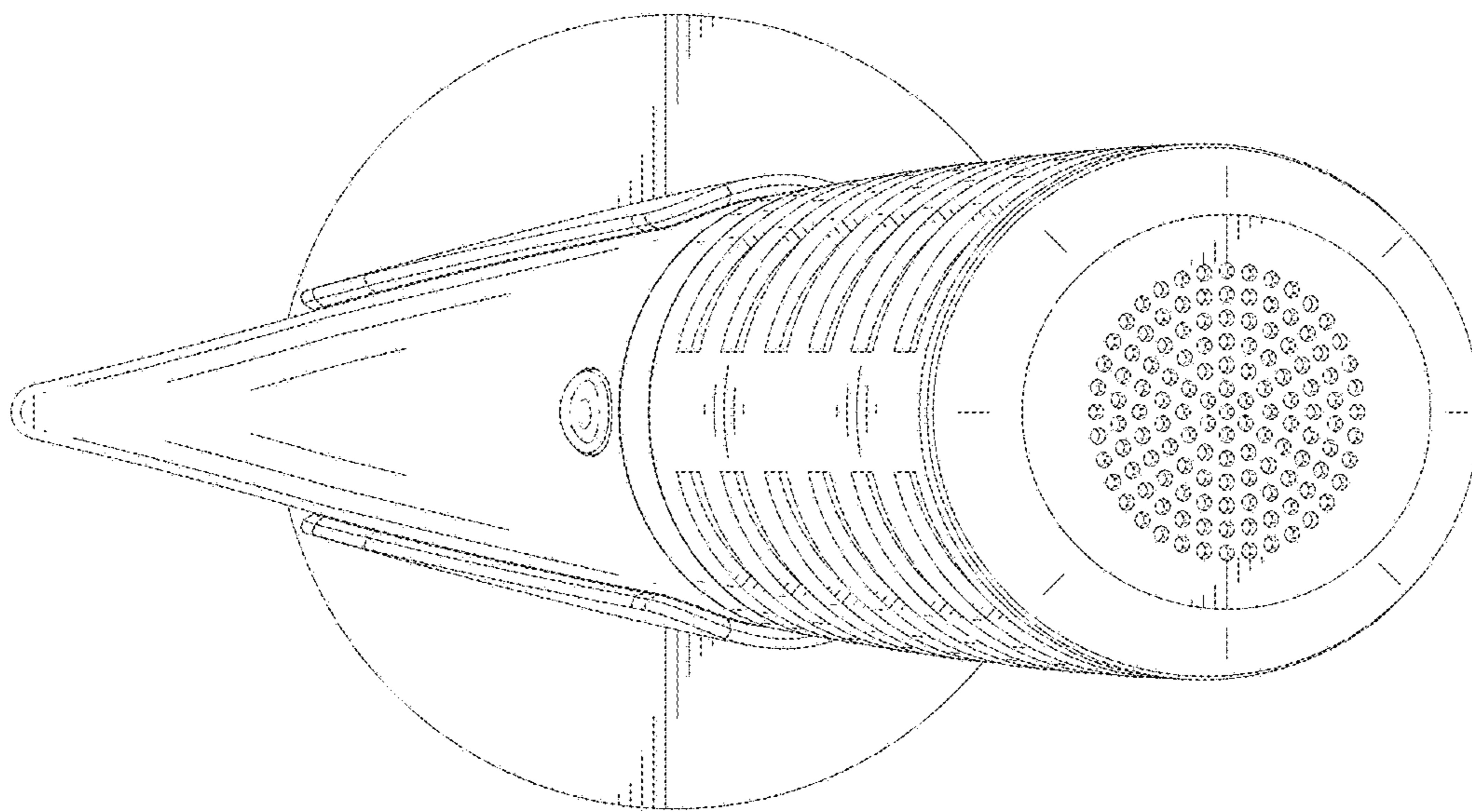


FIG.8

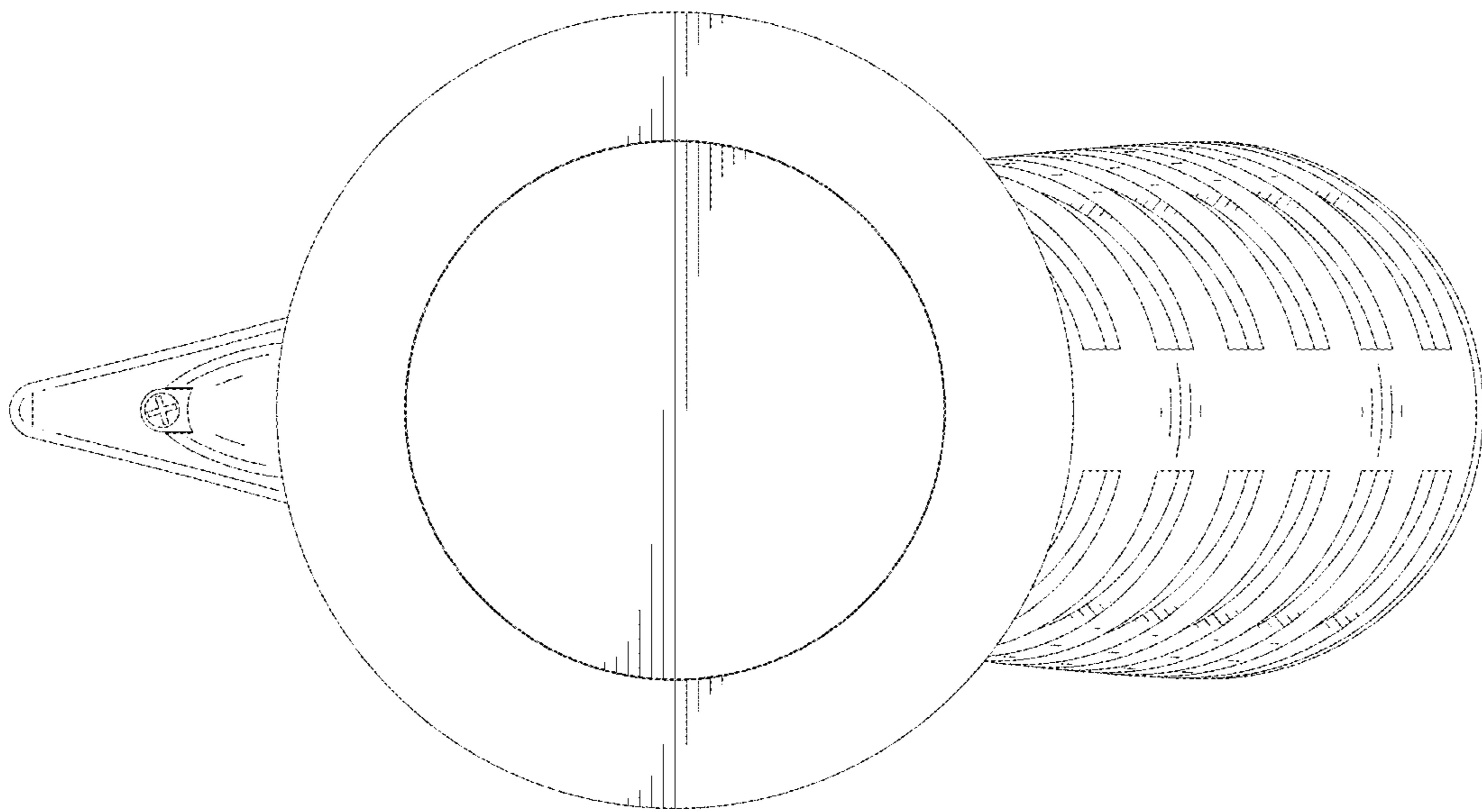


FIG.9