



US00D808935S

(12) **United States Design Patent**
Bullimore

(10) **Patent No.:** **US D808,935 S**

(45) **Date of Patent:** **** Jan. 30, 2018**

(54) **WOOFER**

2400/00; H04R 2400/07; H04R 2499/11;
H04R 2499/13; H04R 2499/15; H04S
3/00; H04S 7/30

(71) Applicant: **Tymphany HK Limited**, Wanchai
(HK)

See application file for complete search history.

(72) Inventor: **George Bullimore**, Wales (GB)

(56) **References Cited**

(73) Assignee: **TYMPHANY HK LIMITED**, Wanchai
(HK)

U.S. PATENT DOCUMENTS

(**) Term: **15 Years**

D451,499 S *	12/2001	Stompler	D14/224
D455,733 S *	4/2002	Stompler	D14/224
D483,743 S *	12/2003	Vosse	D14/224
D544,857 S *	6/2007	Milne	D14/221
D644,634 S *	9/2011	Cywan	D14/224
D691,596 S *	10/2013	Fuller	D14/224
D691,598 S *	10/2013	Fuller	D14/224
D741,841 S *	10/2015	Fuller	D14/224
D756,973 S *	5/2016	Wright	D14/224

(21) Appl. No.: **29/542,869**

(22) Filed: **Oct. 19, 2015**

* cited by examiner

(51) **LOC (11) Cl.** **14-03**

(52) **U.S. Cl.**

USPC **D14/224**

(58) **Field of Classification Search**

USPC D14/167, 168, 170-172, 188, 194-196,
D14/204, 207, 209.1, 210-216, 219, 221,
D14/222, 224, 239, 496; 181/143, 144,
181/147, 148, 150, 153, 157, 198, 199;
381/300-303, 306, 332, 333, 336, 345,
381/361-364, 386-388; 369/6-12

CPC B60R 11/0217; G06F 1/1688; G10K 9/22;
G10K 11/004; H03F 1/327; H04M 1/03;
H04M 1/035; H04N 5/642; H04N
21/4852; H04R 1/02; H04R 1/06; H04R
1/021; H04R 1/025; H04R 1/026; H04R
1/028; H04R 1/105; H04R 1/323; H04R
1/403; H04R 1/2803; H04R 1/2834;
H04R 5/02; H04R 7/20; H04R 9/06;
H04R 9/025; H04R 2201/021; H04R

Primary Examiner — Keli L Hill

(74) *Attorney, Agent, or Firm* — Cantor Colburn LLP

(57) **CLAIM**

I claim, the ornamental design for a woofer, as shown and described.

DESCRIPTION

FIG. 1 is a perspective view of a woofer, showing my new design;

FIG. 2 is front elevation view thereof;

FIG. 3 is a rear elevation view thereof;

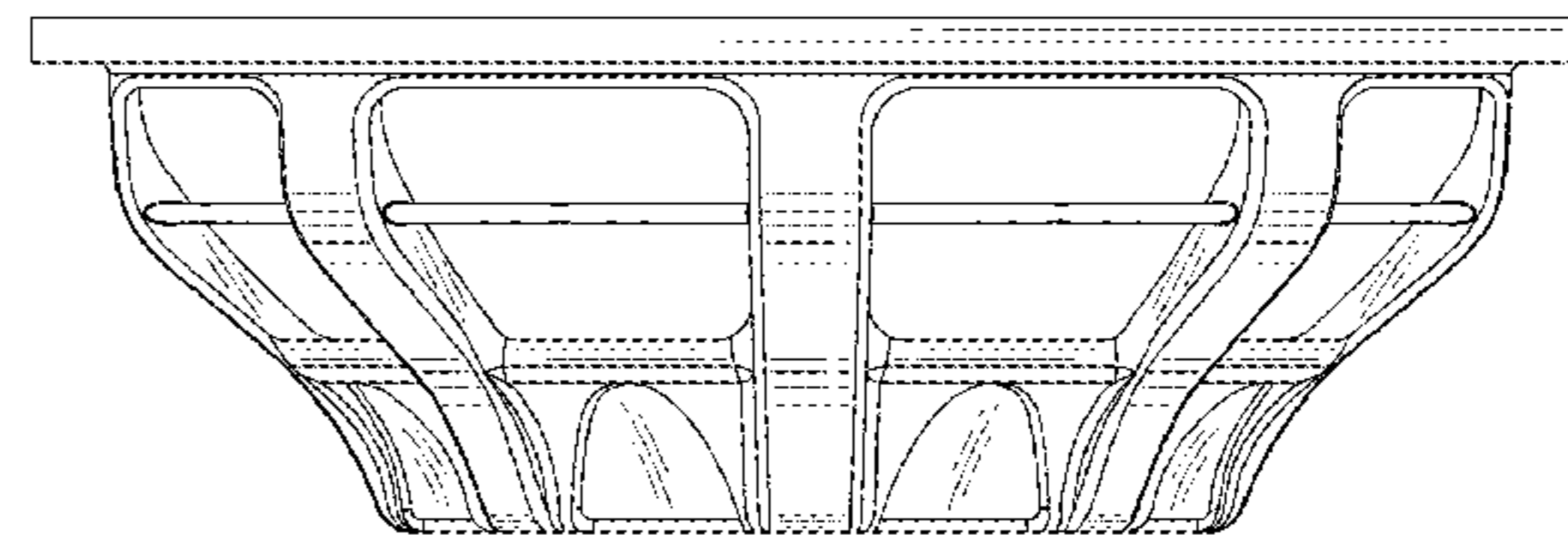
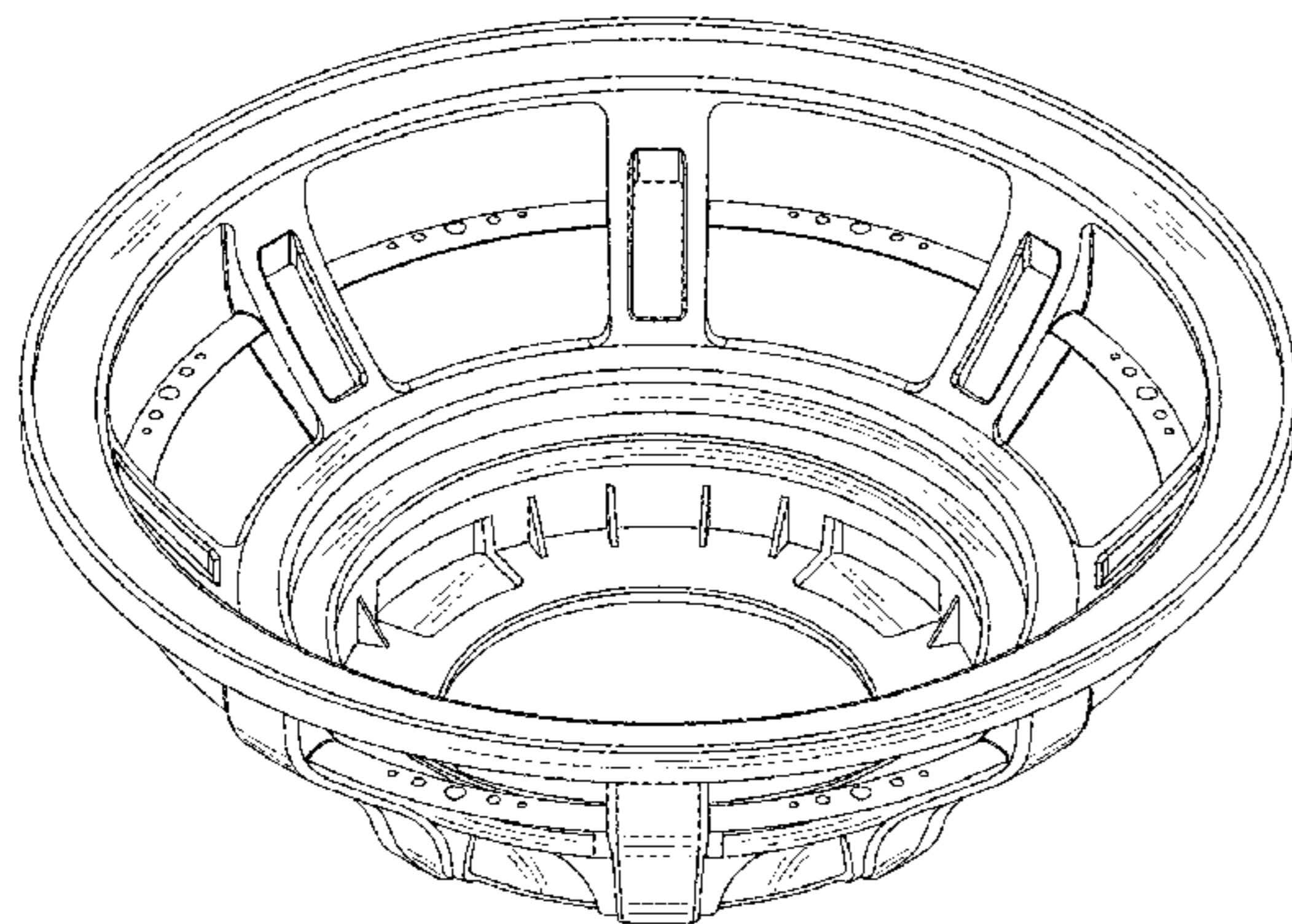
FIG. 4 is a left side elevation view thereof;

FIG. 5 is a right side elevation view thereof;

FIG. 6 is a top plan view thereof; and,

FIG. 7 is a bottom plan view thereof.

1 Claim, 5 Drawing Sheets



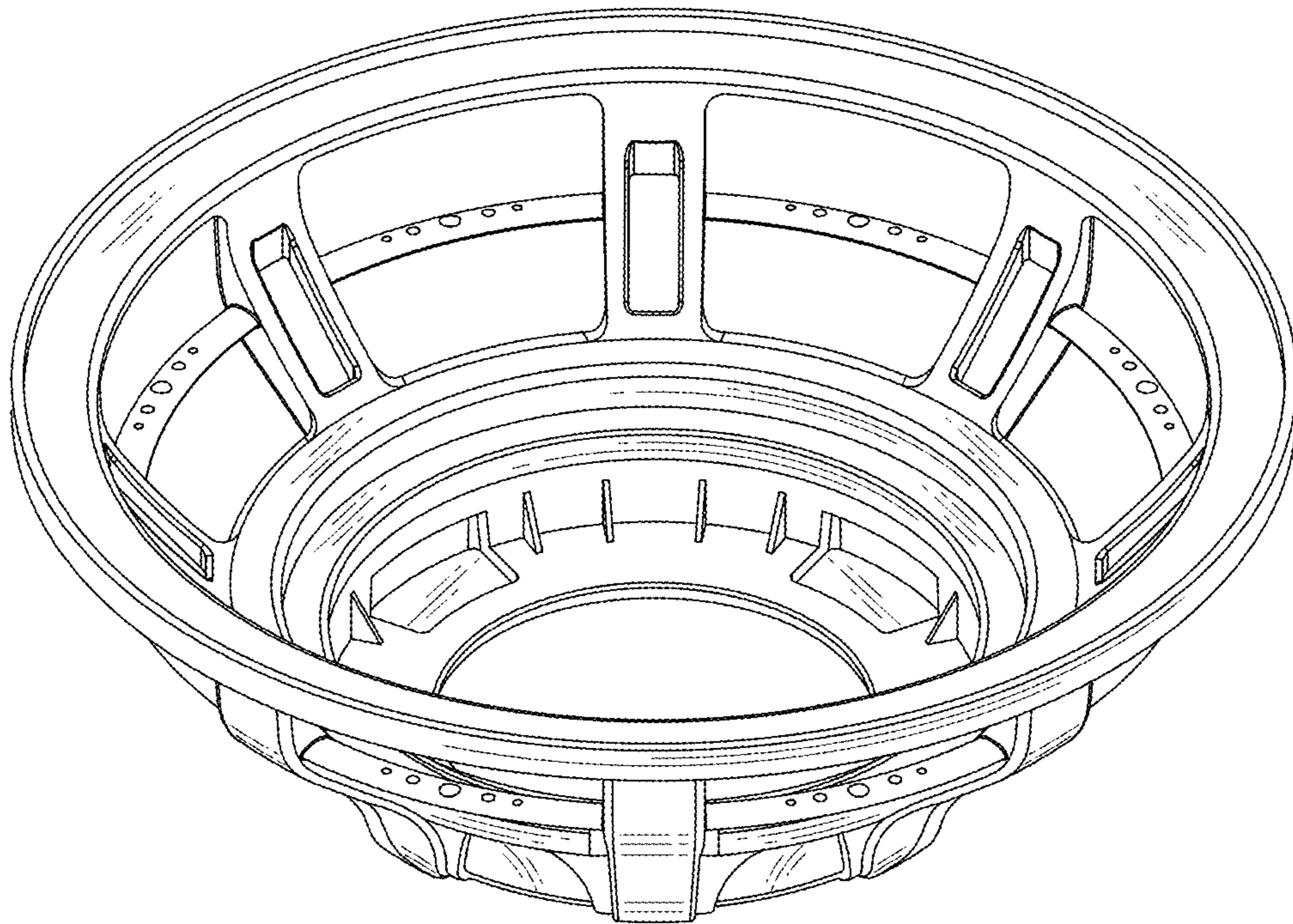


FIG. 1

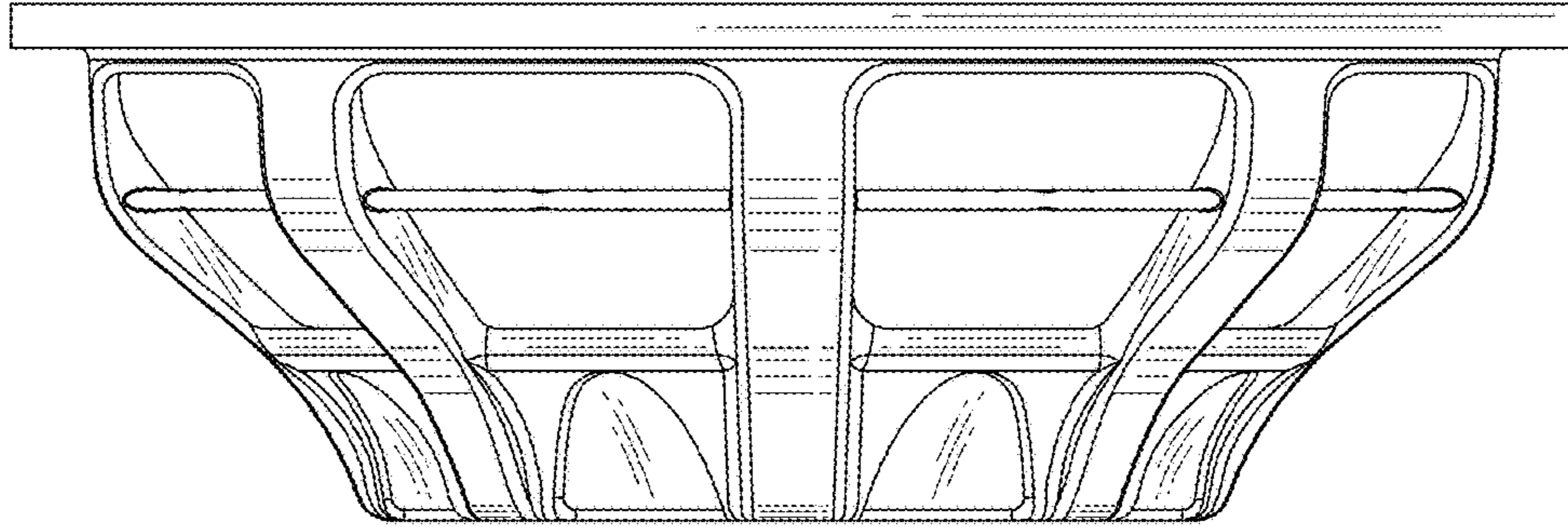


FIG. 2

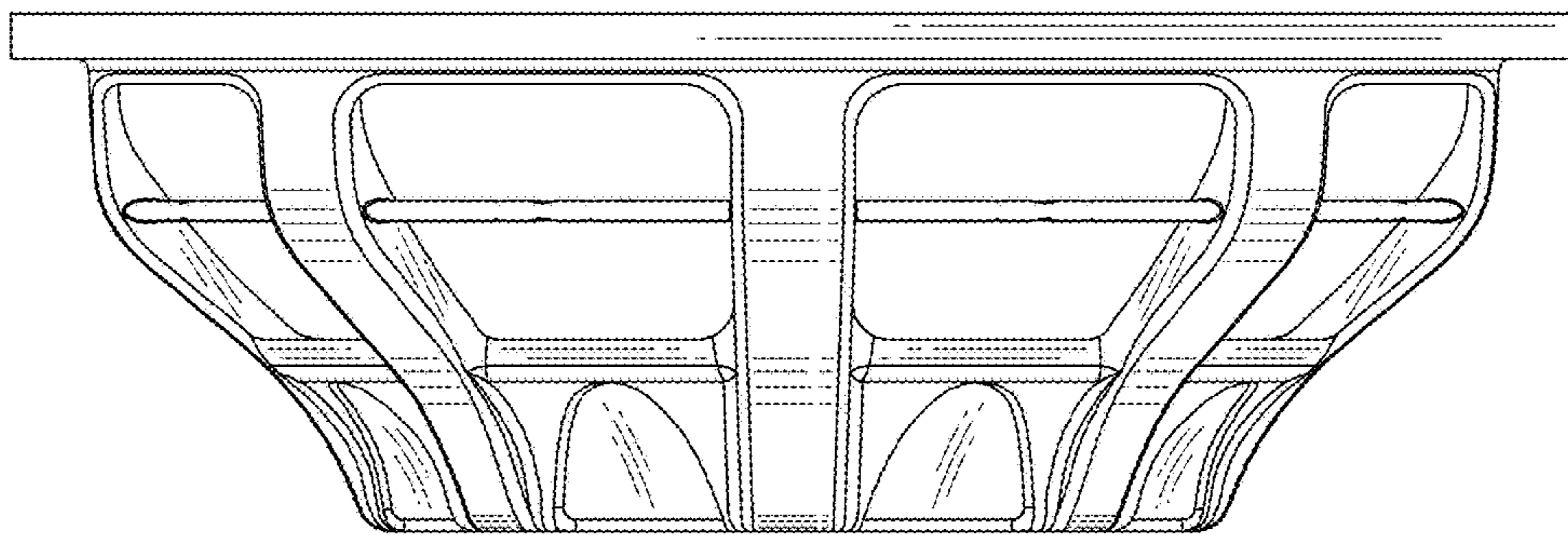


FIG. 3

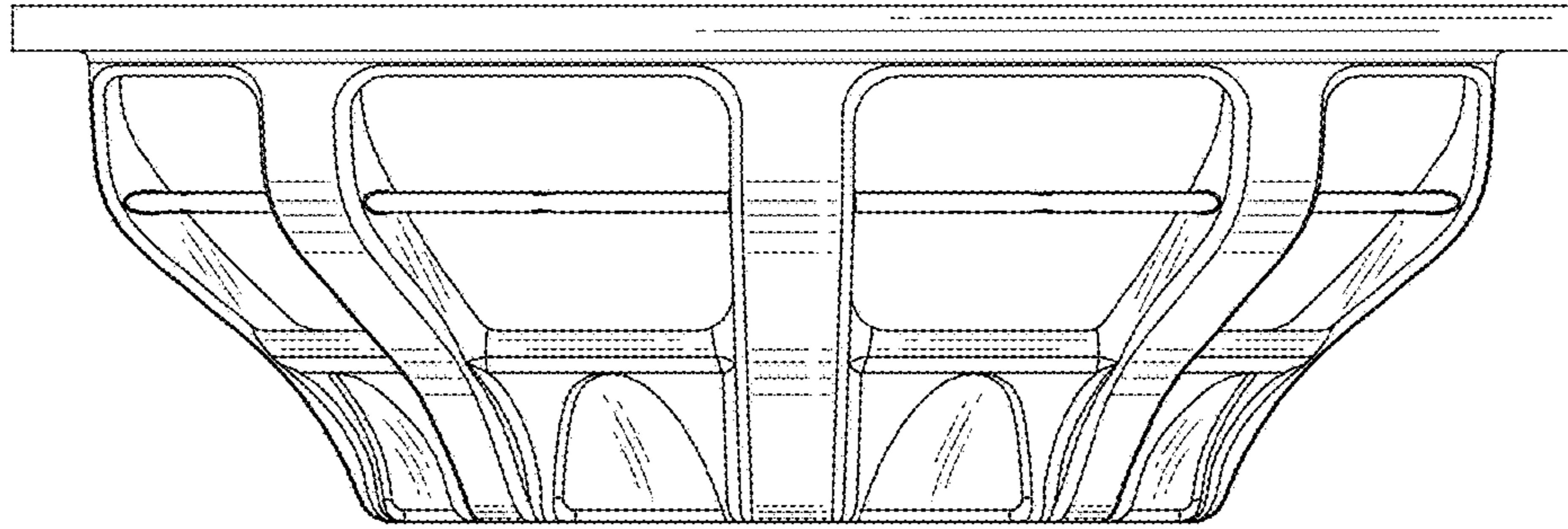


FIG. 4

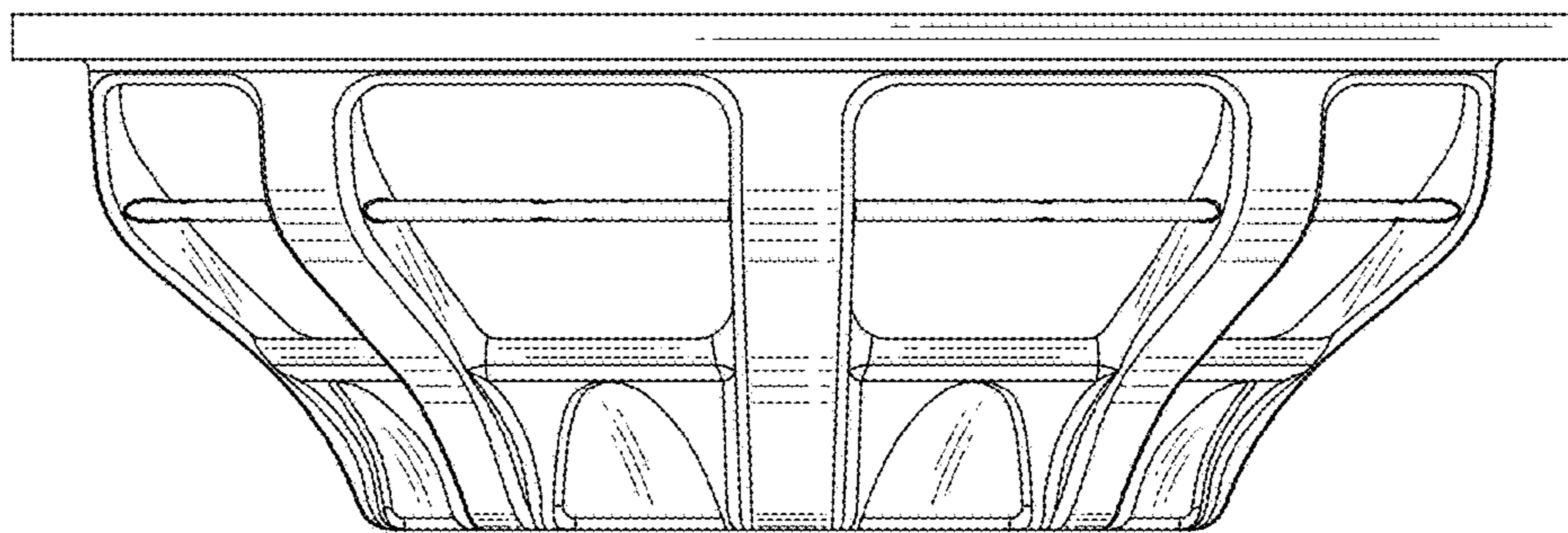


FIG. 5

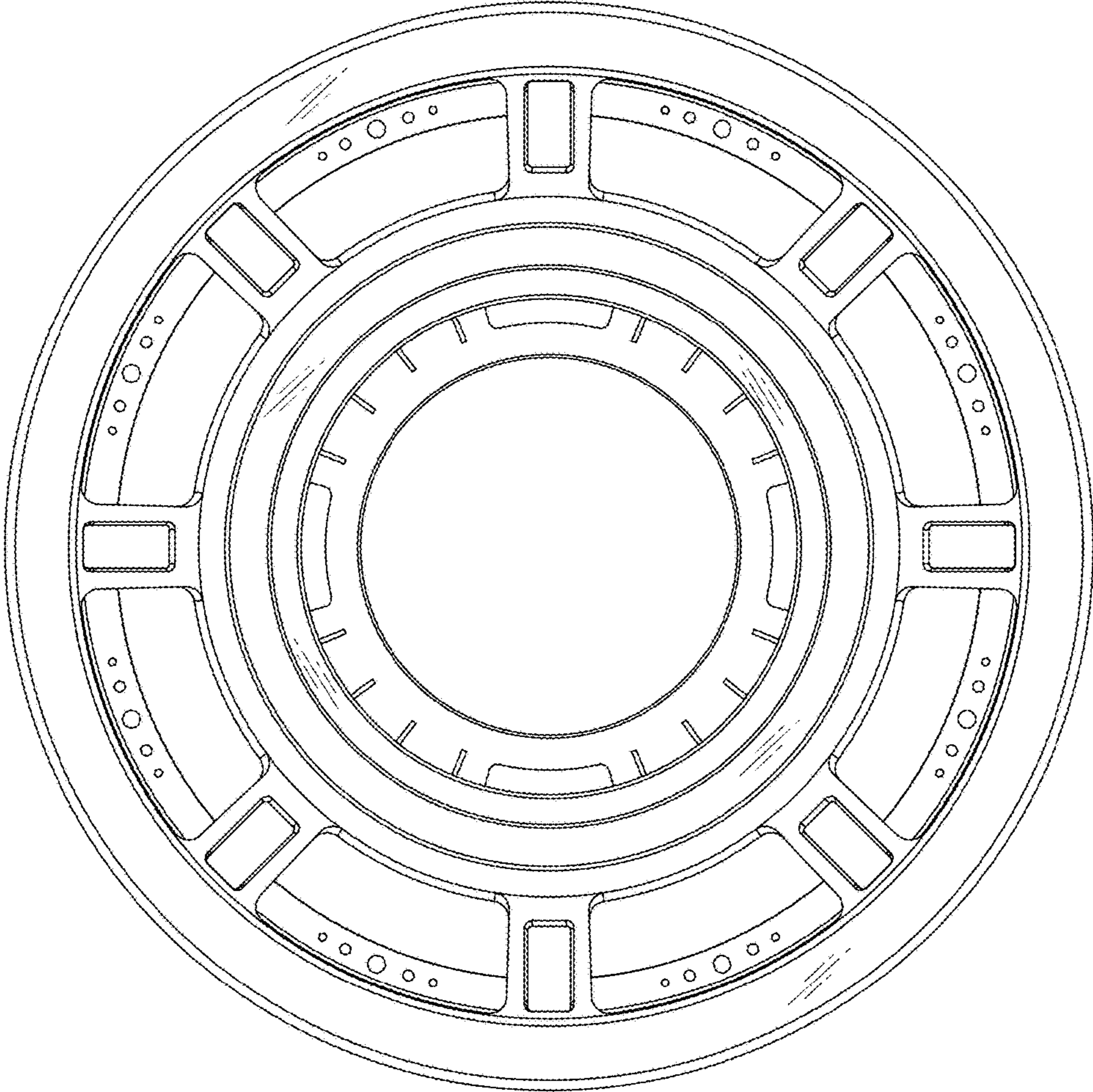


FIG. 6

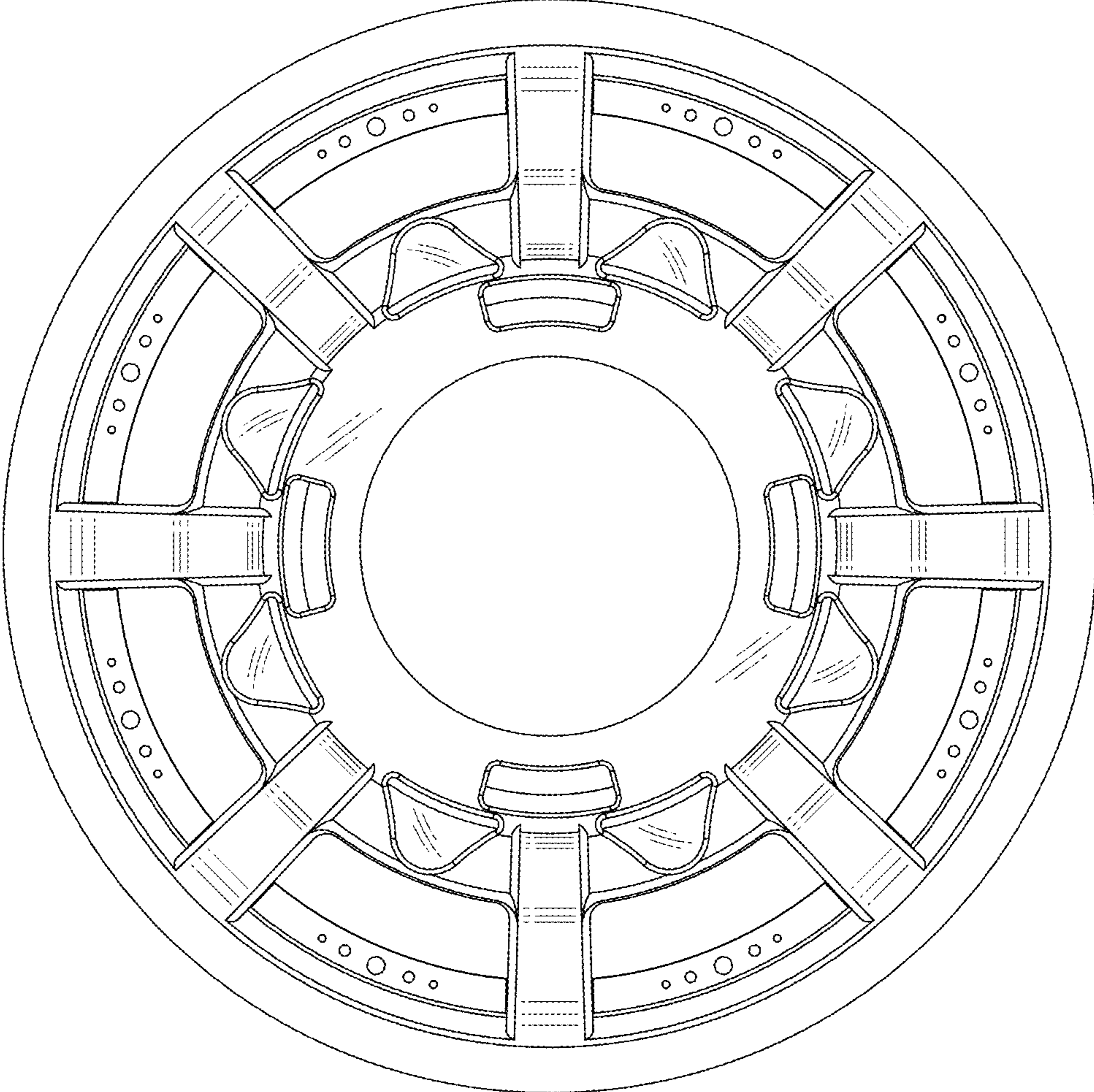


FIG. 7