



US00D808932S

(12) **United States Design Patent**
Noro et al.

(10) **Patent No.:** **US D808,932 S**
(45) **Date of Patent:** **** Jan. 30, 2018**

(54) **SPEAKER DIAPHRAGM**

2499/11; H04R 2499/13; H04R 2499/15;
H04S 3/00; H04S 7/30

(71) Applicant: **Yamaha Corporation**, Shizuoka (JP)

See application file for complete search history.

(72) Inventors: **Masao Noro**, Shizuoka (JP); **Soichi Takigawa**, Shizuoka (JP); **Kenichi Yoshinaga**, Shizuoka (JP); **Akihiko Nozaki**, Shizuoka (JP)

(56) **References Cited**

U.S. PATENT DOCUMENTS

(73) Assignee: **YAMAHA CORPORATION**, Shizuoka (JP)

D76,266	S	*	9/1928	Stevens	D14/222
D76,267	S	*	9/1928	Stevens	D14/222
D77,263	S	*	12/1928	Stevens	D14/222
2,873,812	A	*	2/1959	Avedon	H04R 1/30 181/159
D389,487	S	*	1/1998	Saraiva Lino Pires	D14/221
D452,964	S	*	1/2002	Vosse	D14/204
D591,728	S	*	5/2009	Pantaleone	D14/216
D591,730	S	*	5/2009	Pantaleone	D14/216
D609,223	S	*	2/2010	Pantaleone	D14/221
D617,315	S	*	6/2010	Pantaleone	D14/216
D698,751	S	*	2/2014	Swendseid	D14/214

(**) Term: **15 Years**

(21) Appl. No.: **29/564,393**

(22) Filed: **May 12, 2016**

* cited by examiner

Related U.S. Application Data

(62) Division of application No. 29/524,180, filed on Apr. 17, 2015, now Pat. No. Des. 775,608.

Primary Examiner — Keli L Hill

(51) **LOC (11) Cl.** **14-03**

(74) *Attorney, Agent, or Firm* — McDonald Hopkins LLC

(52) **U.S. Cl.**

(57) **CLAIM**

USPC **D14/222**

A speaker diaphragm, as shown and described.

(58) **Field of Classification Search**

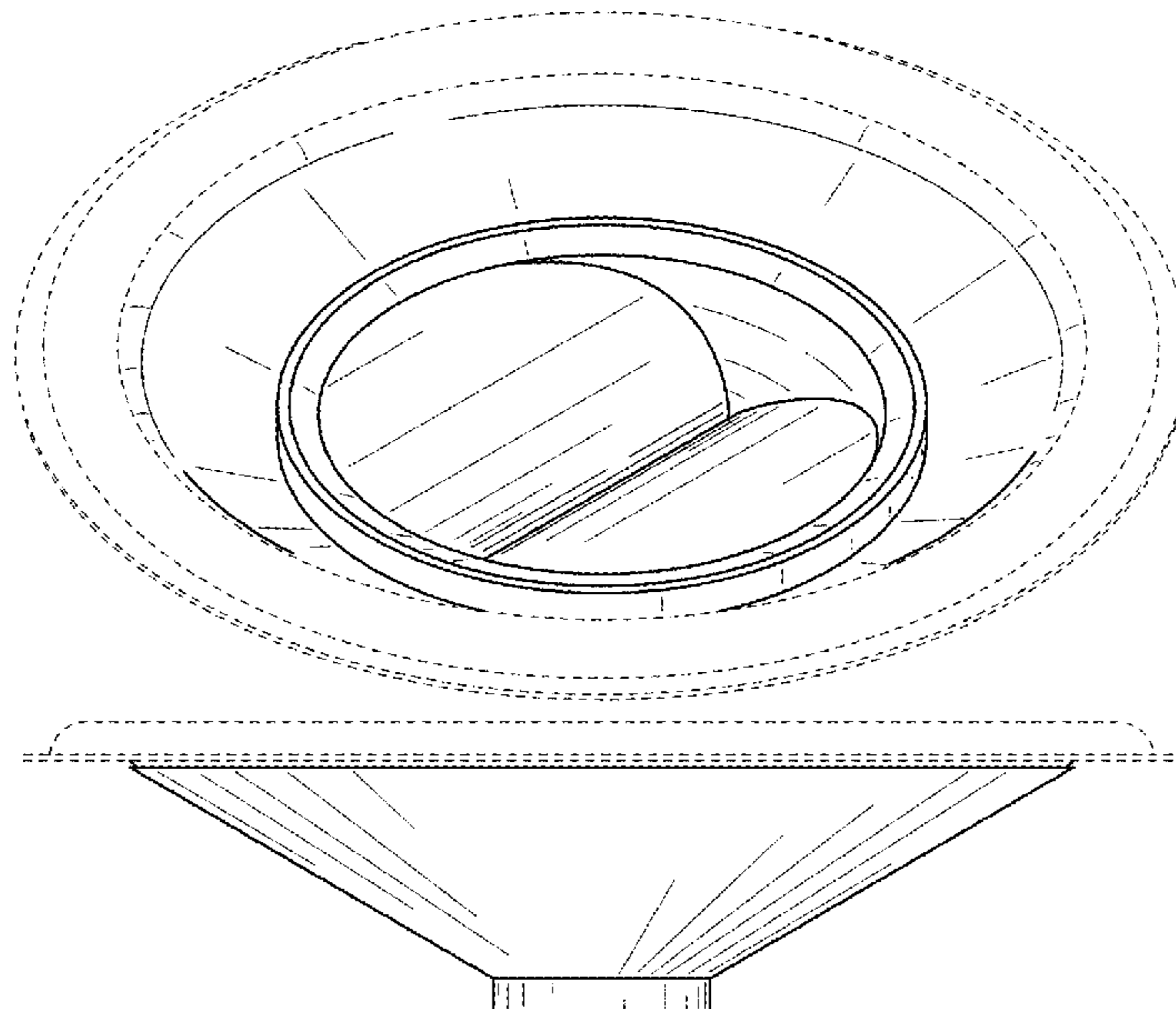
DESCRIPTION

USPC D14/167, 168, 170–172, 188, 194–196, D14/204, 207, 209.1, 210–216, 219, 221, D14/222, 224, 239, 496; 181/143, 144, 181/147, 148, 150, 153, 157, 198, 199; 381/300–303, 306, 332, 333, 336, 345, 381/361–364, 386–388; 369/6–12

CPC B60R 11/0217; G06F 1/1688; H04M 1/03; H04M 1/035; H04R 1/02; H04R 1/06; H04R 1/021; H04R 1/025; H04R 1/026; H04R 1/028; H04R 1/105; H04R 1/323; H04R 1/403; H04R 1/2803; H04R 1/2834; H04R 5/02; H04R 7/20; H04R 9/06; H04R 9/025; H04R 2201/021; H04R 2400/00; H04R 2400/07; H04R

FIG. 1 is a perspective view of a speaker diaphragm, showing our new design;
 FIG. 2 is a side view of FIG. 1;
 FIG. 3 is a front view of FIG. 1;
 FIG. 4 is a top view of FIG. 1;
 FIG. 5 is a bottom view of FIG. 1; and,
 FIG. 6 is a cross-sectional side view of FIG. 1.
 The broken lines immediately adjacent the shaded areas represent the bounds of the claimed design while all other broken lines are included for the purpose of illustrating portions of the speaker diaphragm; the broken lines form no part of the claimed design.

1 Claim, 3 Drawing Sheets



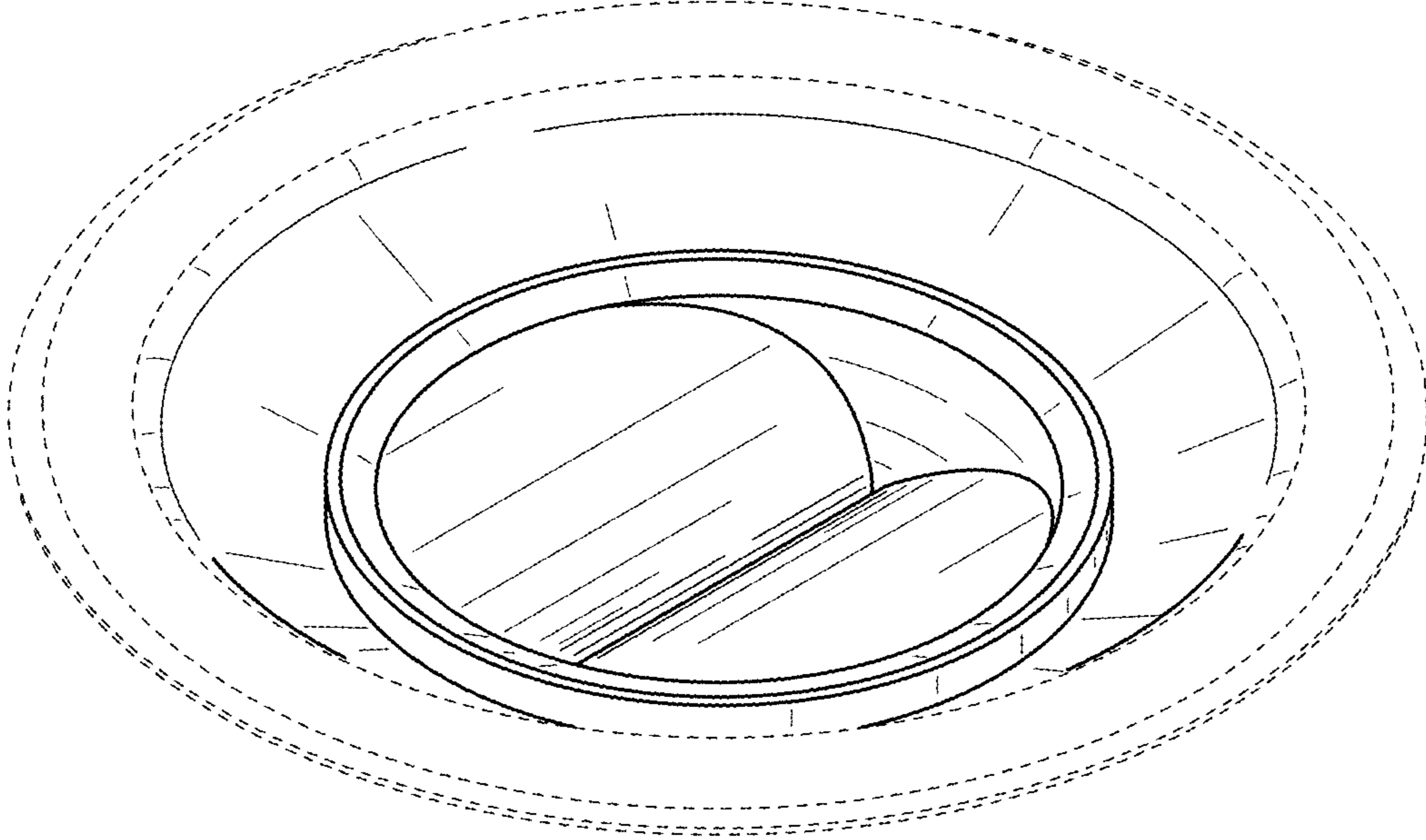


FIG. 1

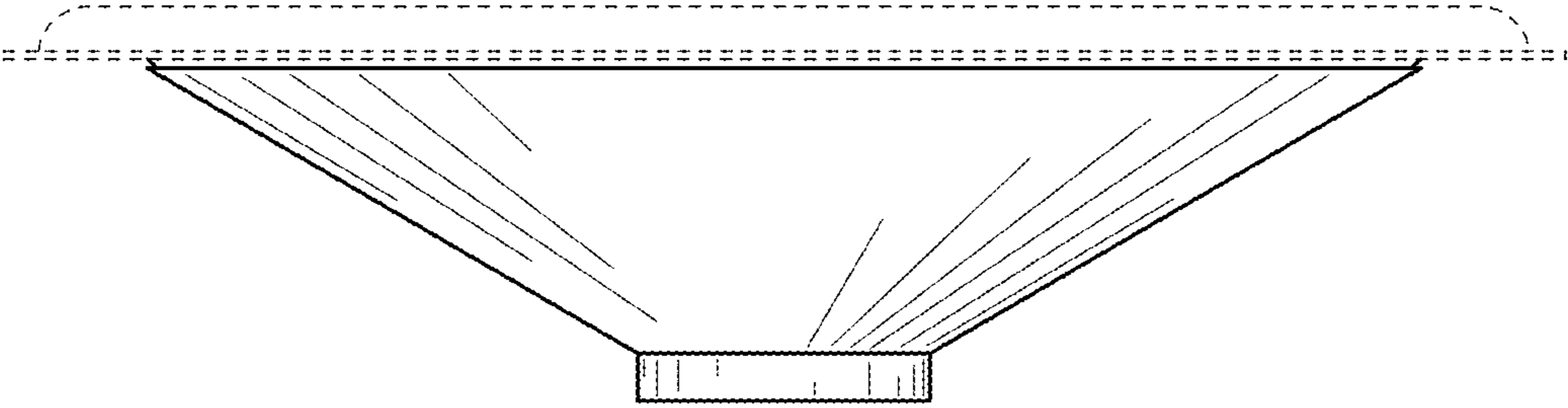


FIG. 2

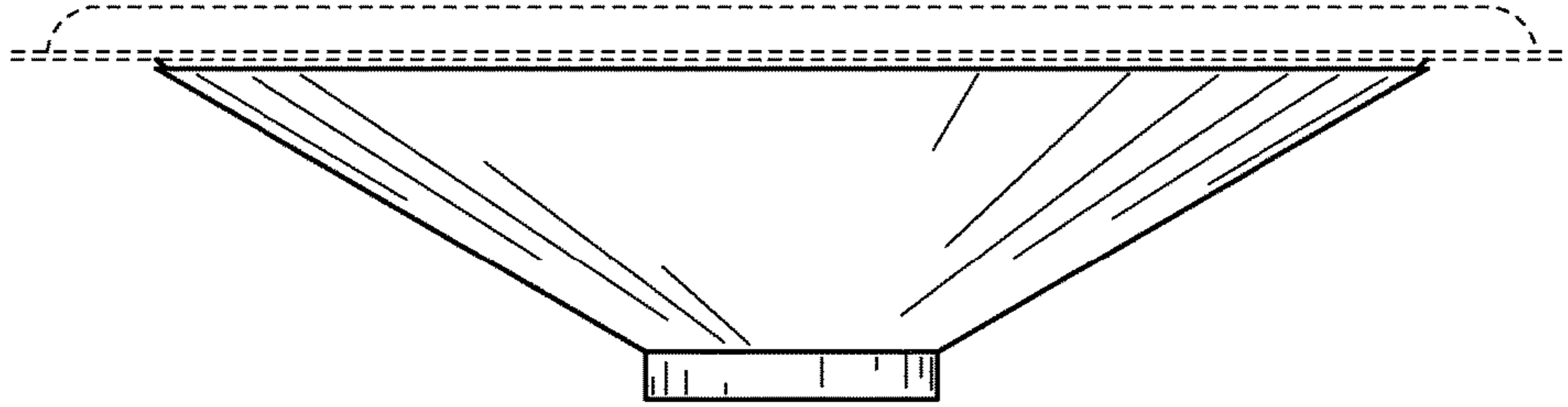


FIG. 3

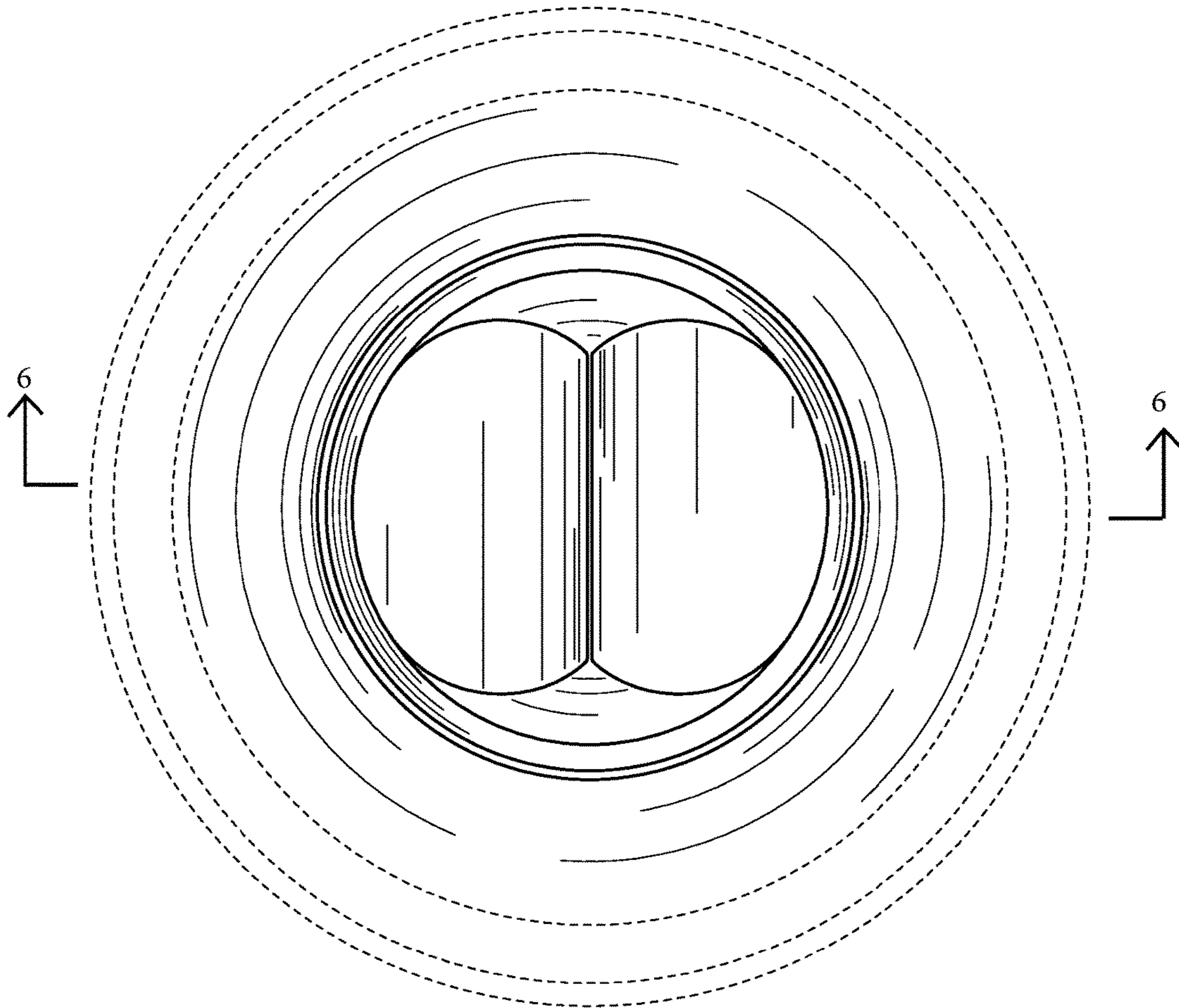


FIG. 4

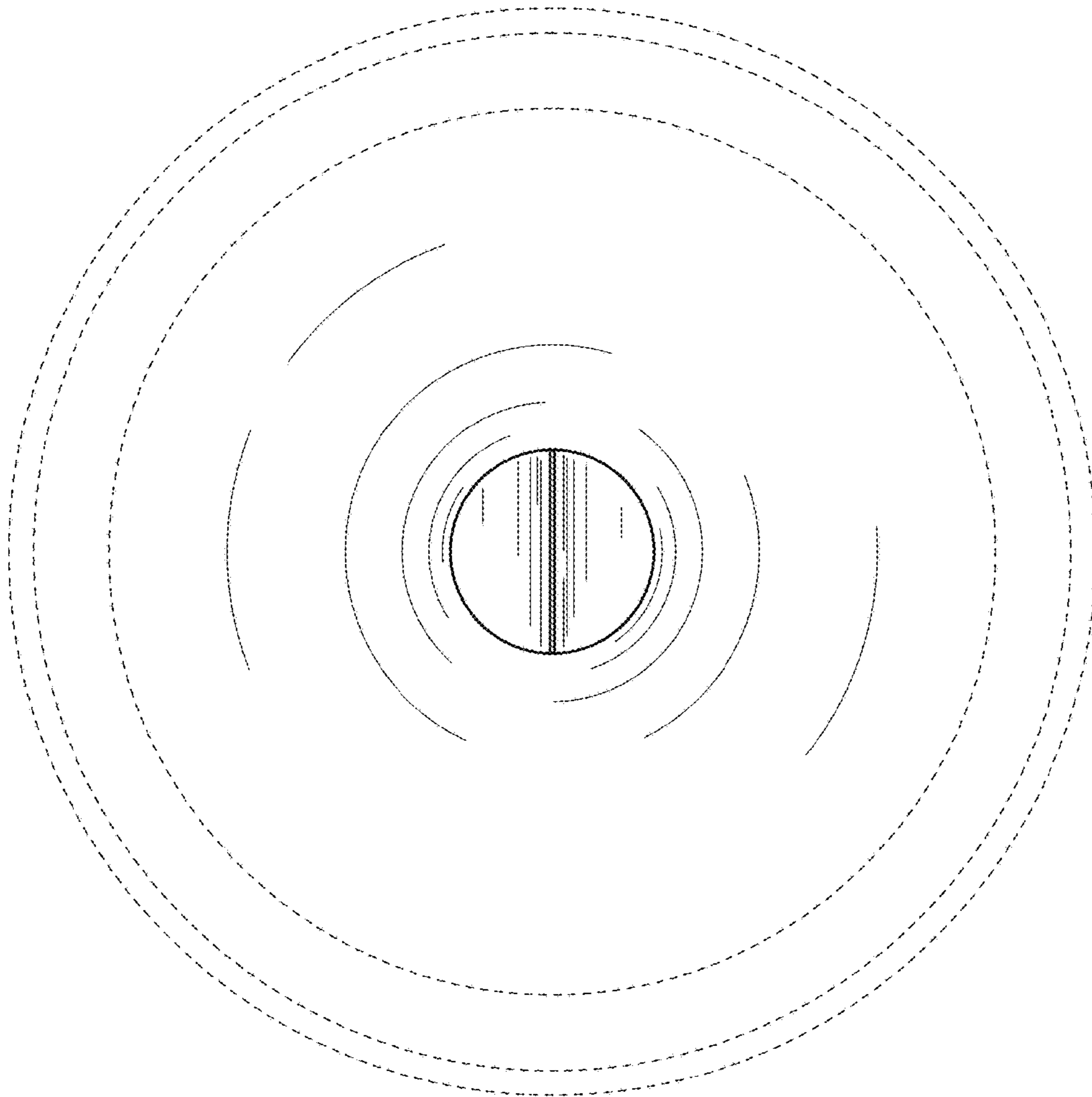


FIG. 5

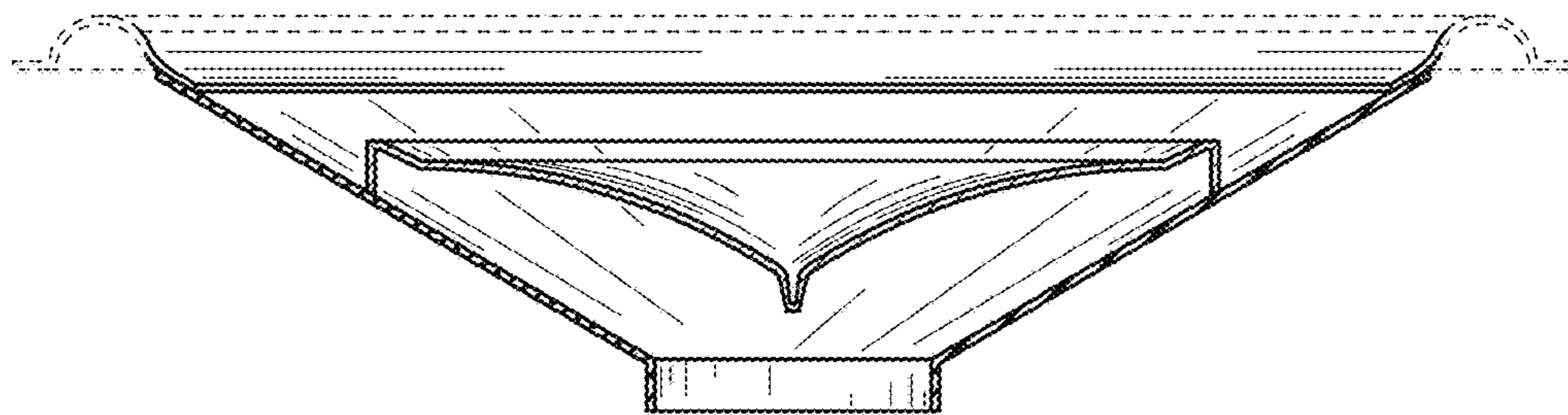


FIG. 6