



US00D808931S

(12) **United States Design Patent** (10) **Patent No.:** **US D808,931 S**  
**Maier** (45) **Date of Patent:** **\*\* Jan. 30, 2018**

(54) **WIRELESS REMOTE CONTROL** D647,509 S \* 10/2011 Maier ..... D14/218  
D656,488 S \* 3/2012 Nakayama ..... D14/218  
(71) Applicant: **FM MARKETING GMBH**, Neumarkt D658,636 S \* 5/2012 Maier ..... D14/218  
am Wallersee (AT) D695,272 S \* 12/2013 Hansen ..... D14/218  
D699,223 S \* 2/2014 Maier ..... D14/218  
(72) Inventor: **Ferdinand Maier**, Neumarkt am D703,187 S \* 4/2014 Maier ..... D14/218  
Wallersee (AT) D705,755 S \* 5/2014 Zaslaysky ..... D14/218  
D714,740 S \* 10/2014 Corsini ..... D13/168

(73) Assignee: **fm marketing gmbh**, Neumarkt am Wallersee (AT)

(\*\*) Term: **15 Years**

(21) Appl. No.: **35/500,675**

(22) Filed: **Jan. 5, 2016**

(80) **Hague Agreement Data**

Int. Filing Date: **Jan. 5, 2016**  
Int. Reg. No.: **DM/089488**  
Int. Reg. Date: **Jan. 5, 2016**  
Int. Reg. Pub. Date: **Mar. 4, 2016**

(30) **Foreign Application Priority Data**

Jul. 7, 2015 (EM) ..... 002732867-0001  
Jul. 7, 2015 (EM) ..... 002732867-0002  
Jul. 7, 2015 (EM) ..... 002732867-0003

(51) **LOC (11) Cl.** ..... **14-03**

(52) **U.S. Cl.**  
USPC ..... **D14/218**

(58) **Field of Classification Search**  
USPC ..... D14/218; D13/168; 429/97  
CPC ..... H01H 9/0235  
See application file for complete search history.

(56) **References Cited**

**U.S. PATENT DOCUMENTS**

D450,662 S \* 11/2001 Kwok ..... D13/168  
D519,989 S \* 5/2006 Wu ..... D14/218  
D594,850 S \* 6/2009 Yan ..... D14/218  
D611,932 S \* 3/2010 Maier ..... D14/218

*Primary Examiner* — Rhea Shields  
(74) *Attorney, Agent, or Firm* — Senniger Powers LLP

(57) **CLAIM**

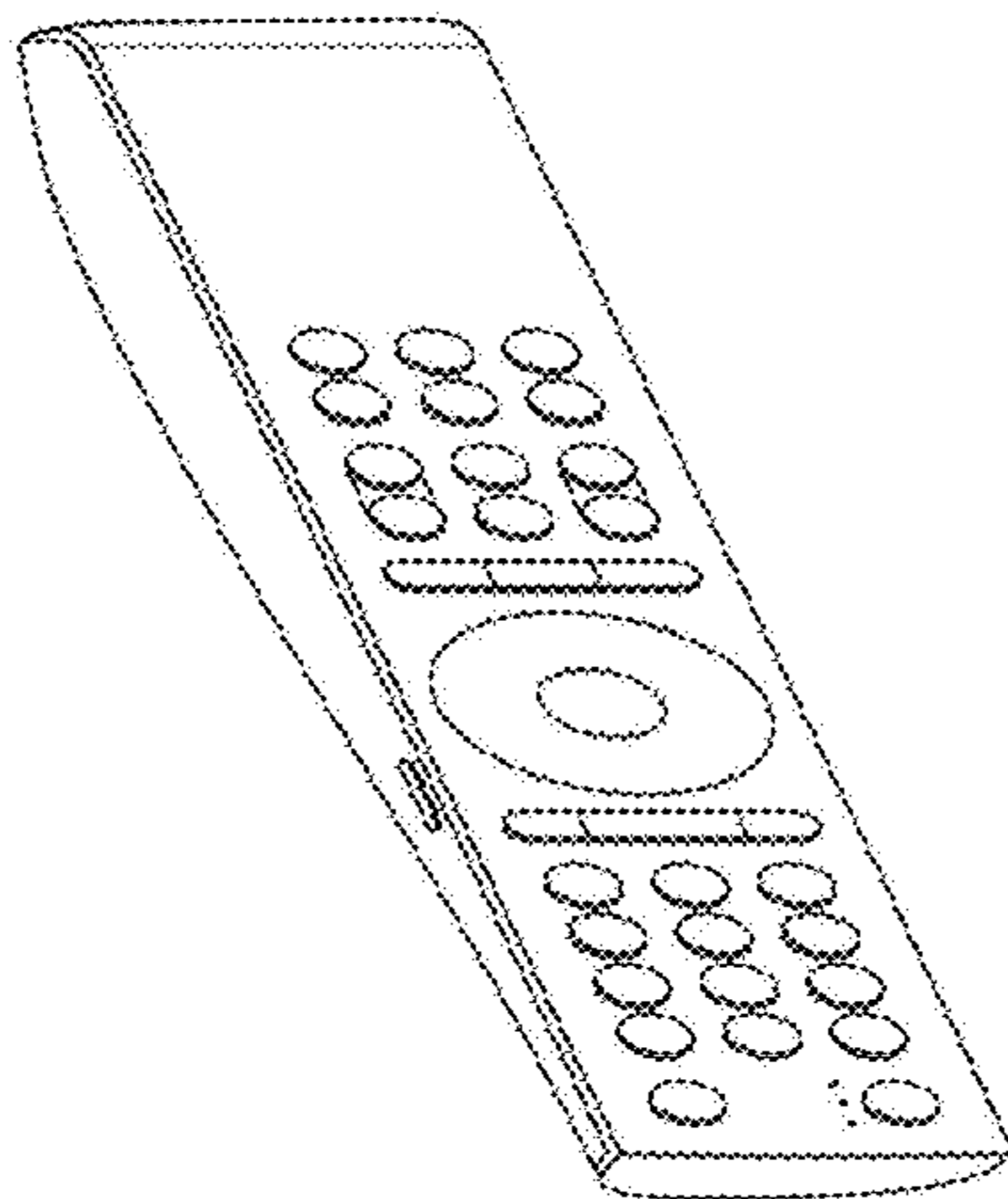
The ornamental design for the wireless remote control, as shown and described.

**DESCRIPTION**

1.-4.7 Wireless remote control

- 1.1 : Front
- 1.2 : Left
- 1.3 : Back
- 1.4 : Top
- 1.5 : Bottom
- 2.1 : Front
- 2.2 : Left
- 2.3 : Back
- 2.4 : Top
- 2.5 : Bottom
- 3.1 : Front
- 3.2 : Left
- 3.3 : Back
- 3.4 : Top
- 3.5 : Bottom
- 3.6 : Perspective
- 4.1 : Perspective
- 4.2 : Front
- 4.3 : Back
- 4.4 : Left
- 4.5 : Right
- 4.6 : Top
- 4.7 : Bottom

**1 Claim, 23 Drawing Sheets**



(56)

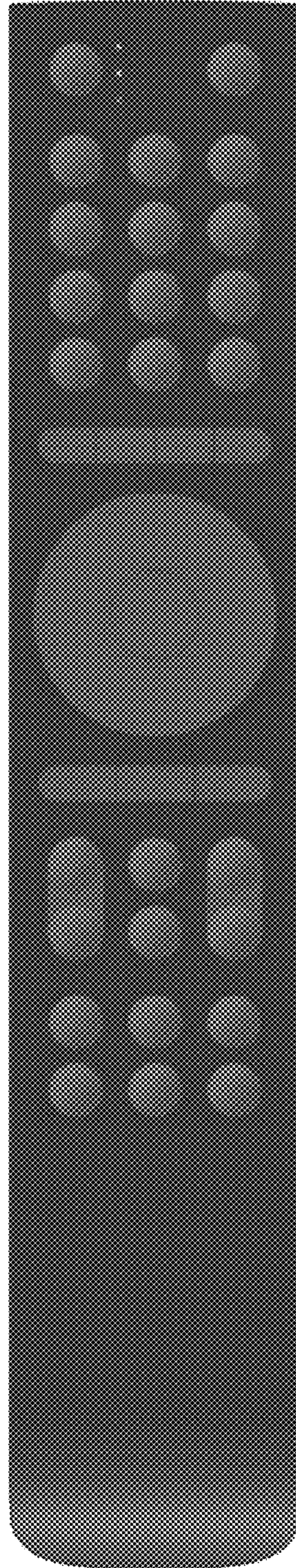
## References Cited

## U.S. PATENT DOCUMENTS

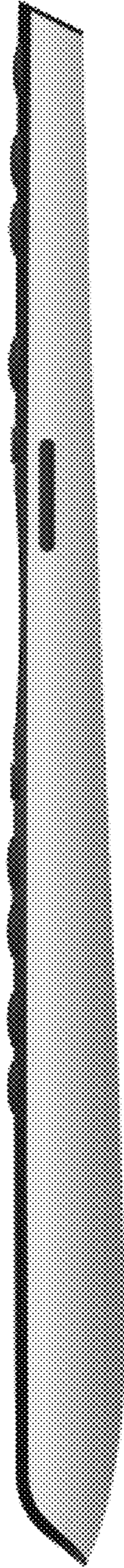
D720,725	S	*	1/2015	Peh	.....	D14/218
D724,568	S	*	3/2015	Peh	.....	D14/218
D726,692	S	*	4/2015	Peh	.....	D14/218
D728,529	S	*	5/2015	Seflic	.....	D14/218
D730,874	S	*	6/2015	McManigal	.....	D14/218
D735,166	S	*	7/2015	Hansen	.....	D14/218
D735,167	S	*	7/2015	Buch	.....	D14/218
D738,883	S	*	9/2015	Pang	.....	D14/218
D753,635	S	*	4/2016	Ko	.....	D14/218
D760,699	S	*	7/2016	Peh	.....	D14/218
D761,764	S	*	7/2016	Jou	.....	D14/218
D765,622	S	*	9/2016	Chong	.....	D14/218
D768,605	S	*	10/2016	Wong	.....	D14/218
D769,848	S	*	10/2016	Lee	.....	D14/218
D770,422	S	*	11/2016	Park	.....	D14/218
D774,493	S	*	12/2016	Wong	.....	D14/218
D777,143	S	*	1/2017	Moresco	.....	D14/218
D777,144	S	*	1/2017	McManigal	.....	D14/218
D777,708	S	*	1/2017	Shimonishi	.....	D14/218
D778,266	S	*	2/2017	Maier	.....	D14/218
D778,844	S	*	2/2017	Tsudoku	.....	D13/168
2010/0310914	A1	*	12/2010	Maier	.....	H01H 9/0235 429/97

\* cited by examiner

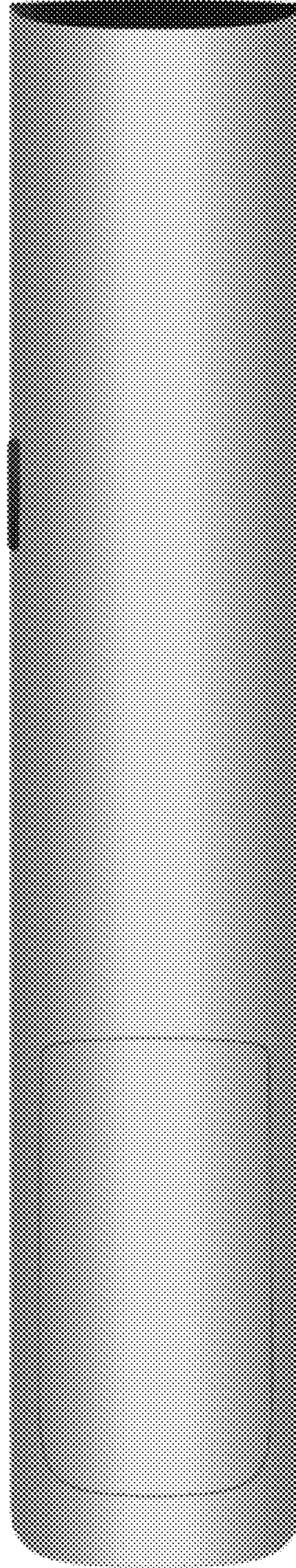
1.1



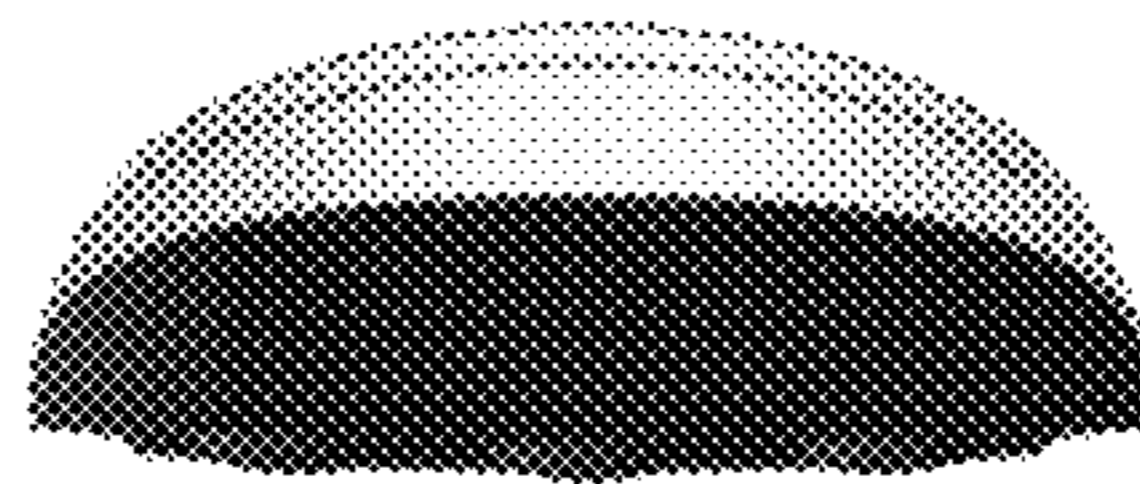
1.2



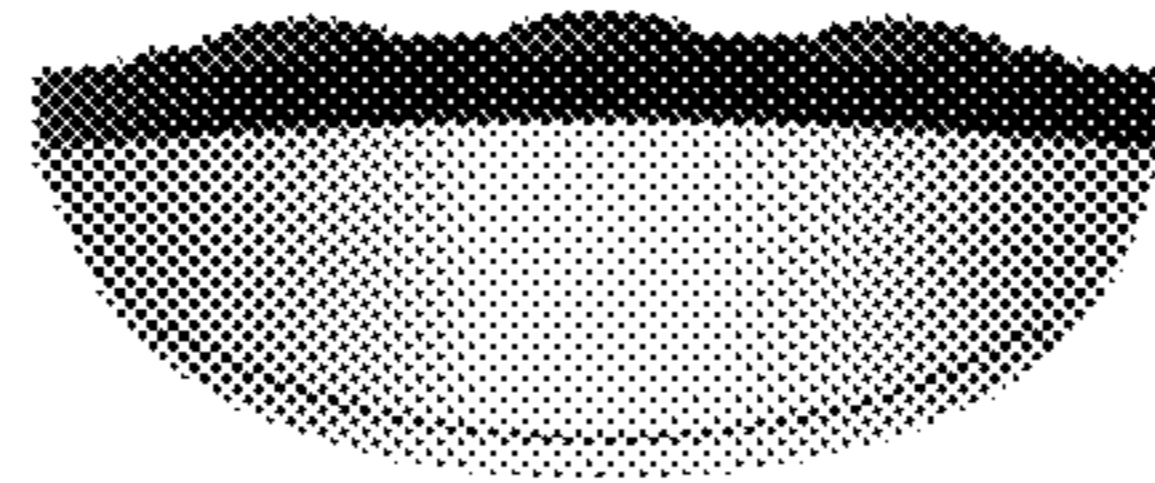
**1.3**



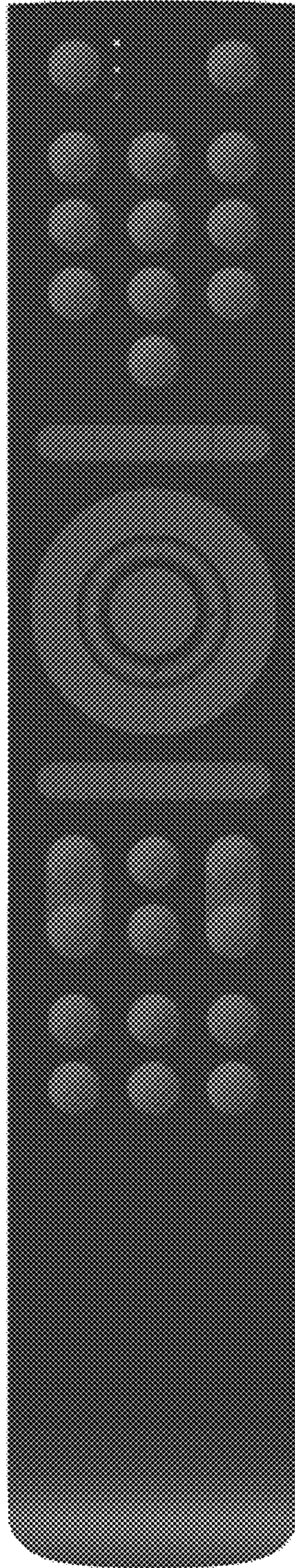
1.4



1.5

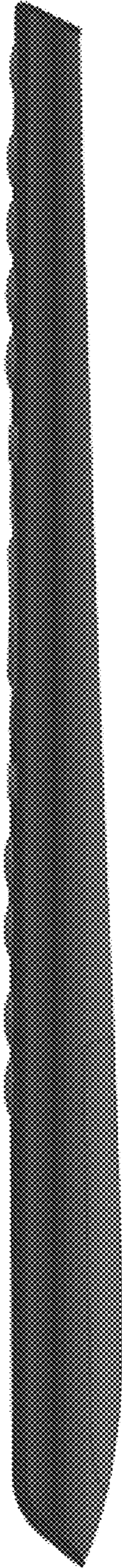


2.1

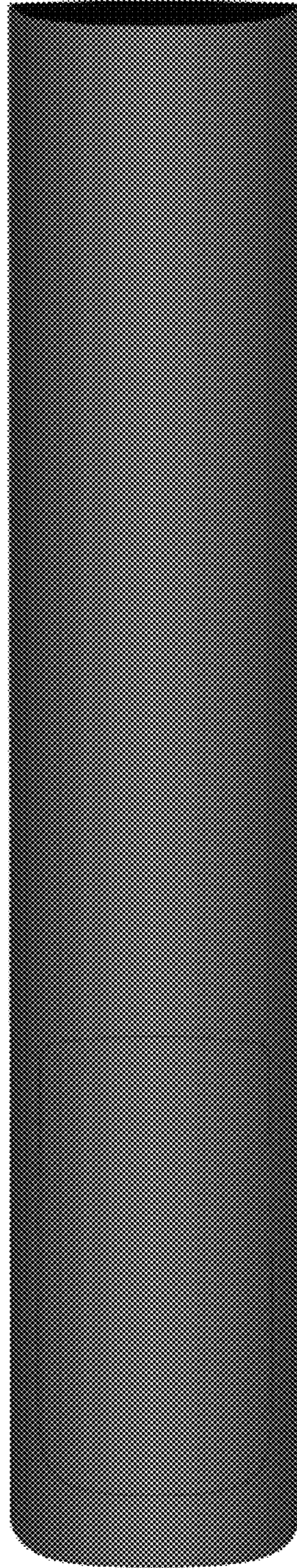




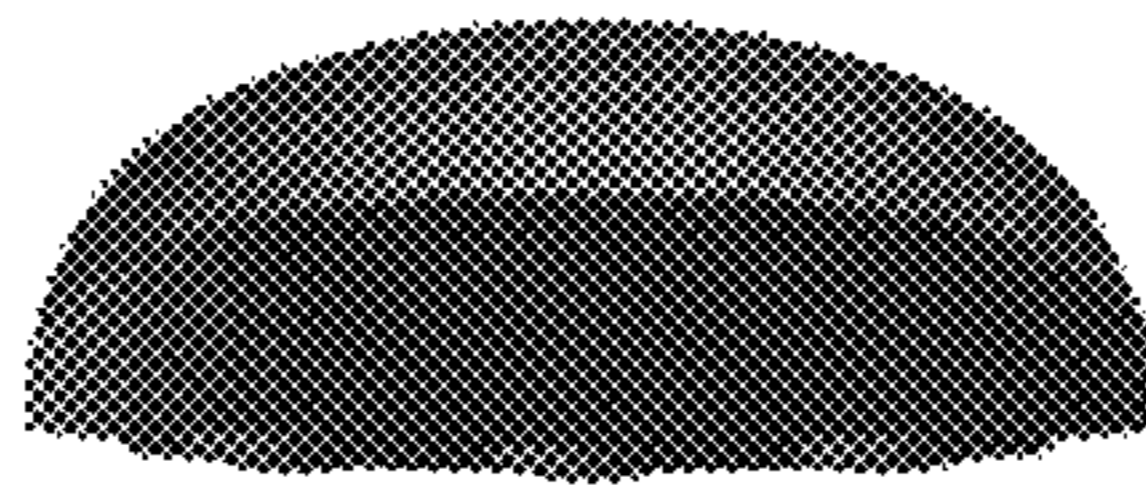
2.2



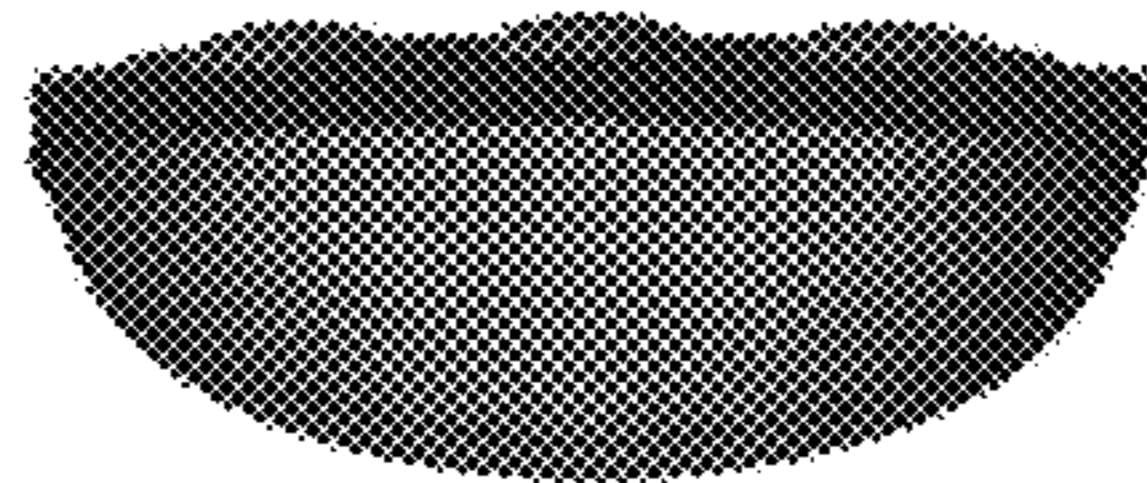
2.3



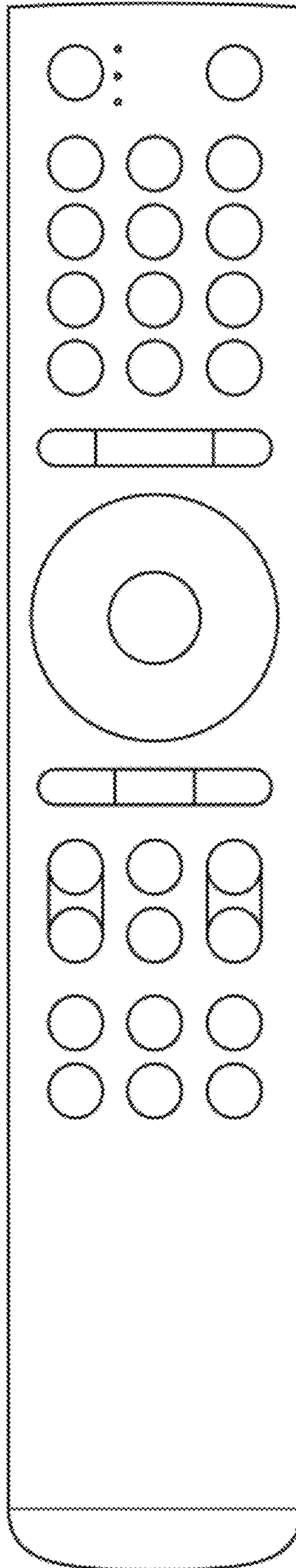
2.4



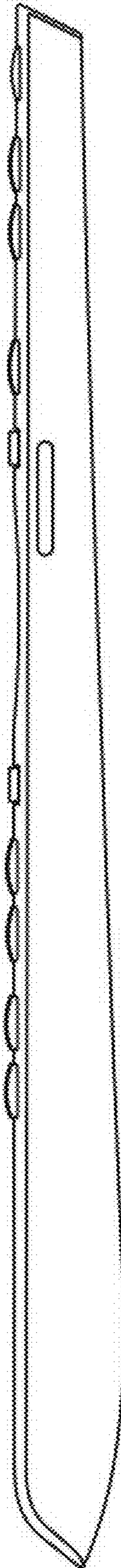
2.5



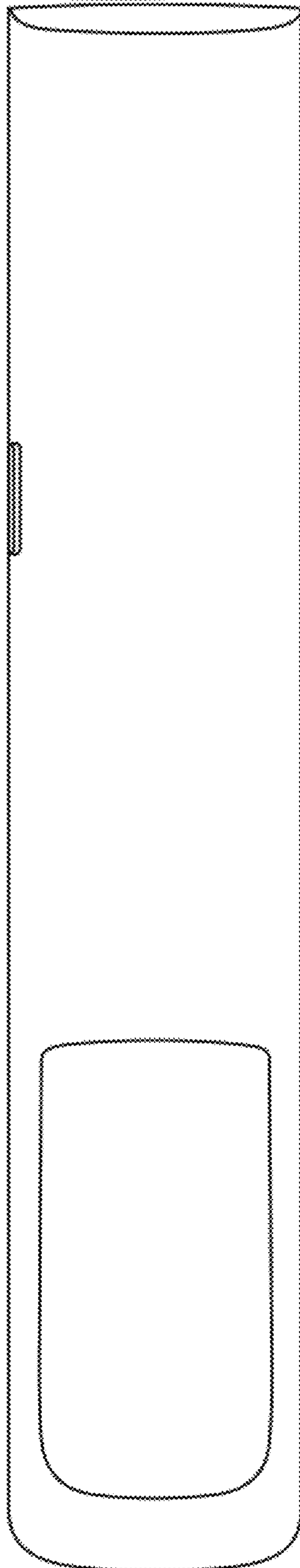
3.1



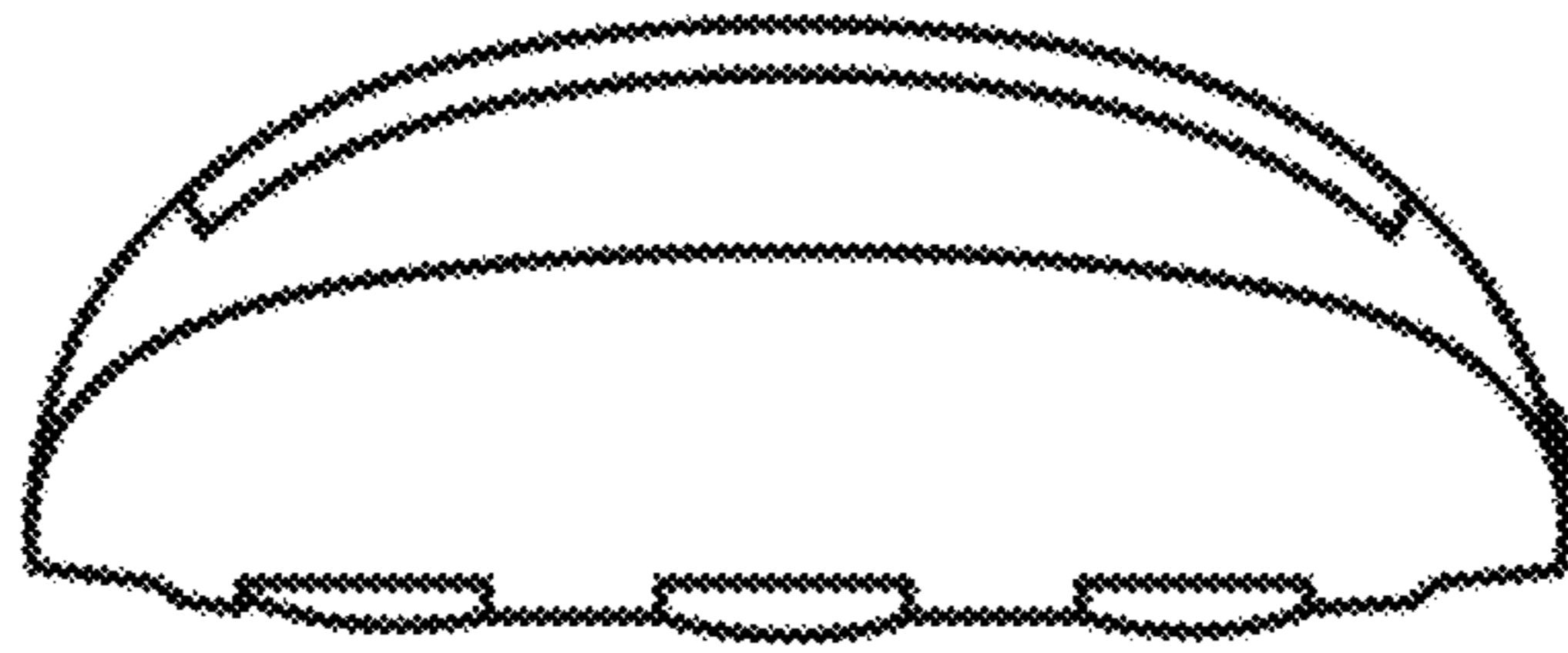
3.2



3.3



3.4

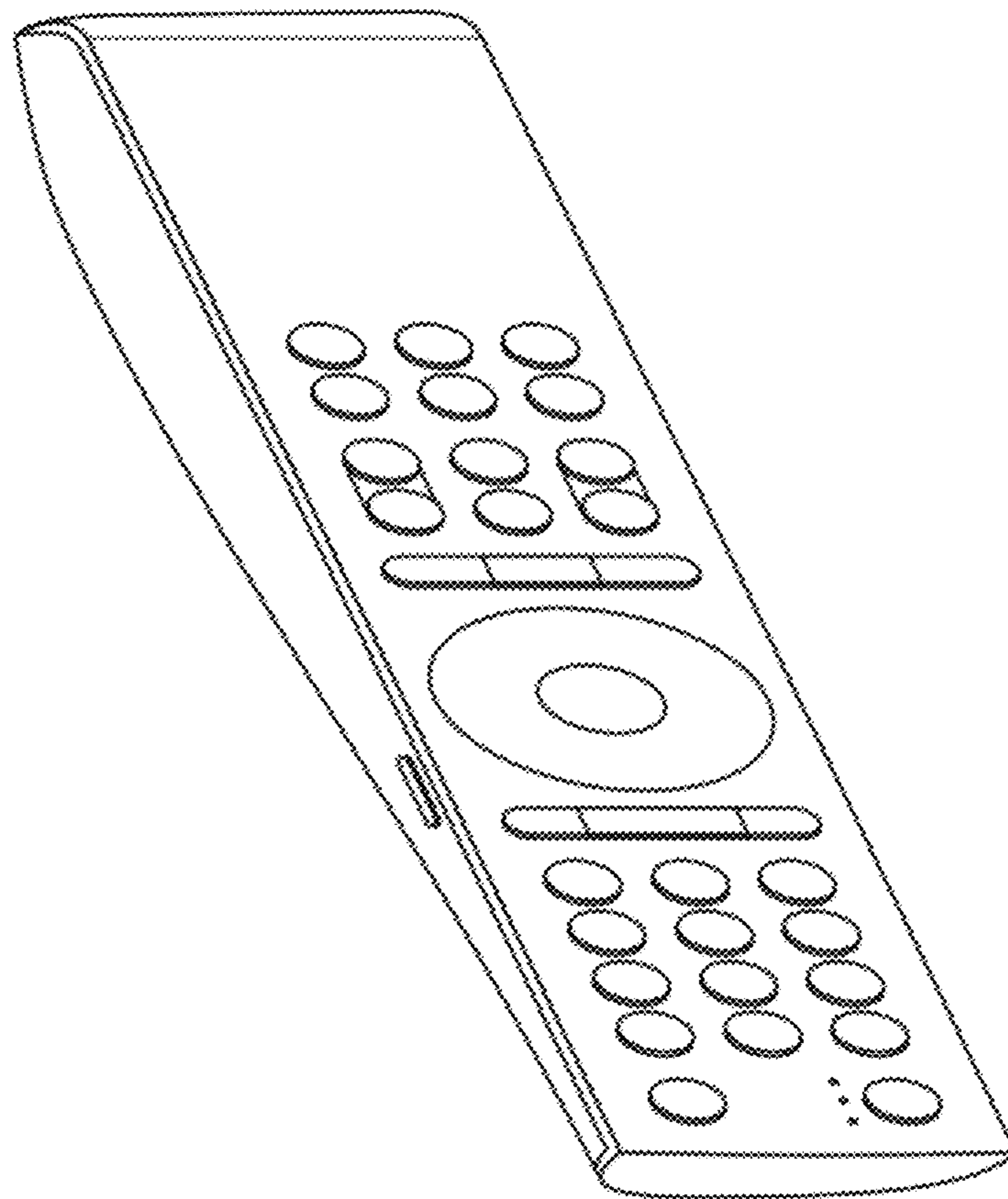




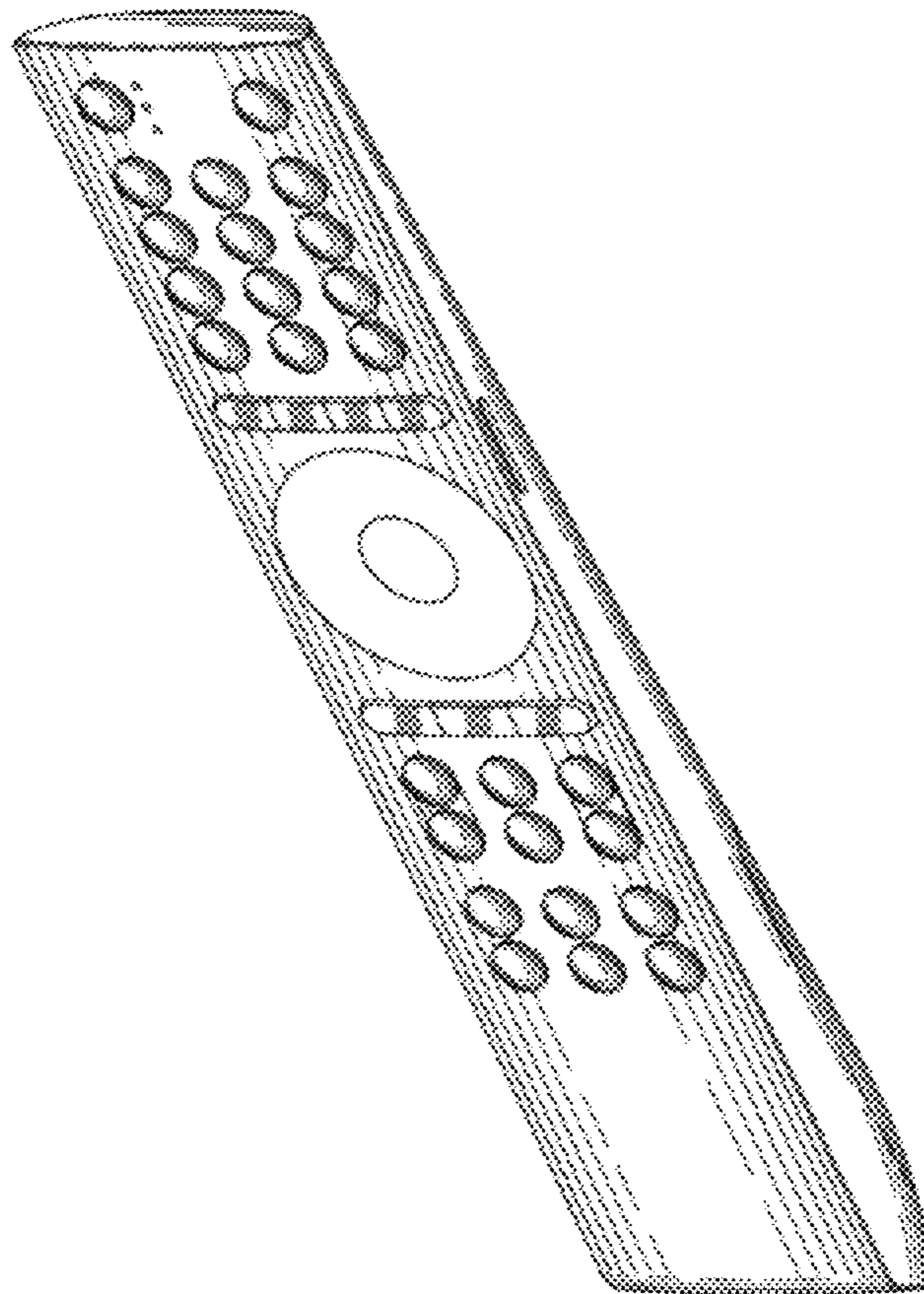
3.5



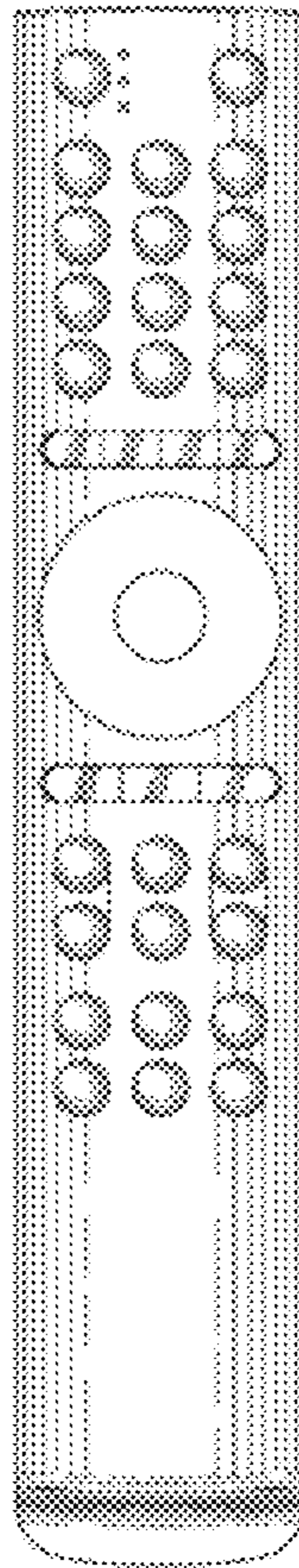
3.6



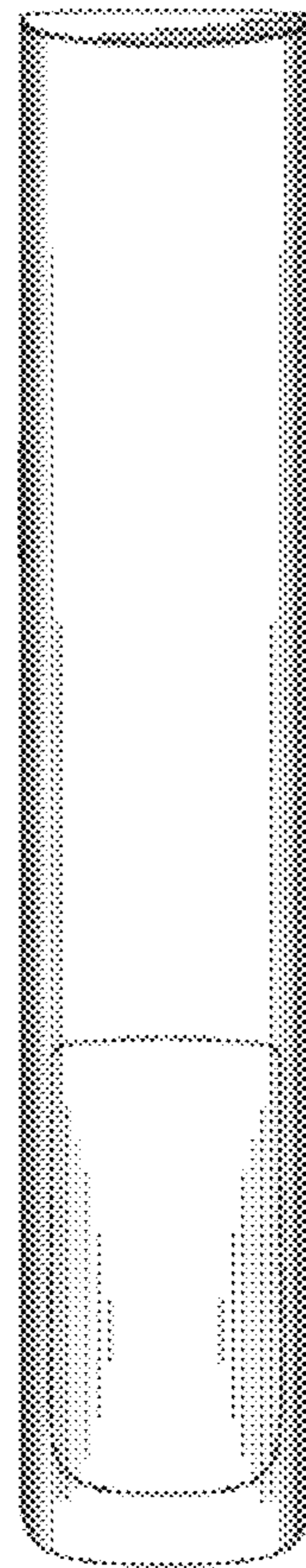
4.1



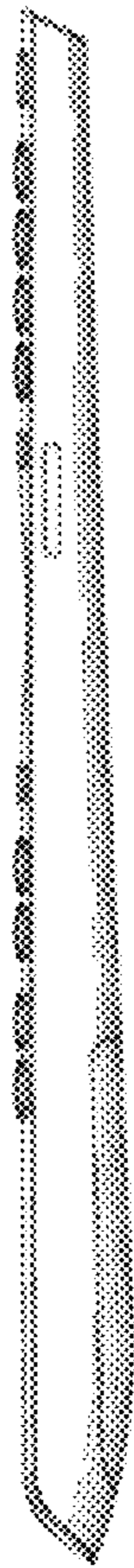
4.2



4.3



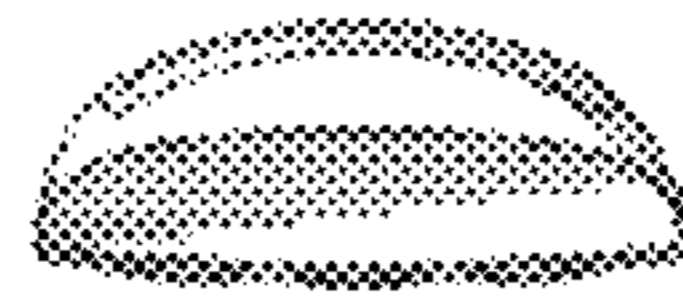
4.4



4.5



**4.6**





4.7

