



US00D808929S

(12) **United States Design Patent**
Graber

(10) **Patent No.:** **US D808,929 S**

(45) **Date of Patent:** **** Jan. 30, 2018**

(54) **SPEAKER**

(71) Applicant: **Curtis E. Graber**, Woodburn, IN (US)

(72) Inventor: **Curtis E. Graber**, Woodburn, IN (US)

(**) Term: **15 Years**

(21) Appl. No.: **29/580,330**

(22) Filed: **Oct. 7, 2016**

(51) **LOC (11) Cl.** **14-03**

(52) **U.S. Cl.**

USPC **D14/216**

(58) **Field of Classification Search**

USPC D14/167, 168, 170–172, 188, 194–196,
D14/204, 207, 209.1, 210–216, 219, 221,
D14/222, 224, 239, 496; 181/143, 144,
181/147, 148, 150, 153, 157, 198, 199;
381/300–303, 306, 332, 333, 336, 345,
381/361–364, 386–388; 369/6–12
CPC B60R 11/0217; G06F 1/1688; G10K 9/22;
G10K 11/004; H03F 1/327; H04M 1/03;
H04M 1/035; H04N 5/642; H04N
21/4852; H04R 1/02; H04R 1/06; H04R
1/021; H04R 1/025; H04R 1/026; H04R
1/028; H04R 1/105; H04R 1/323; H04R
1/403; H04R 1/2803; H04R 1/2834;
H04R 5/02; H04R 7/20; H04R 9/06;
H04R 9/025; H04R 2201/021; H04R
2400/00; H04R 2201/07; H04R 2499/11;
H04R 2499/13; H04R 2499/15; H04S
3/00; H04S 7/30

See application file for complete search history.

(56) **References Cited**

U.S. PATENT DOCUMENTS

D214,955 S * 8/1969 Duern D14/188
D711,853 S * 8/2014 Miyata H04R 1/02
D14/204

D720,706 S * 1/2015 Chang D13/179
D769,219 S * 10/2016 Ohmachi D14/205
D791,740 S * 7/2017 Fuller D14/204
2006/0051203 A1 * 3/2006 Lee H01L 23/467
415/204
2007/0110574 A1 * 5/2007 Lu F04D 29/023
415/206
2012/0328146 A1 * 12/2012 Tsuruta G10K 9/22
381/389
2013/0259692 A1 * 10/2013 Chen F04D 29/26
416/195
2014/0020871 A1 * 1/2014 Huang H01L 23/3672
165/104.34
2015/0342091 A1 * 11/2015 Scharinger H05K 7/20909
165/80.3

* cited by examiner

Primary Examiner — Keli L Hill

(74) *Attorney, Agent, or Firm* — Taylor IP, P.C.

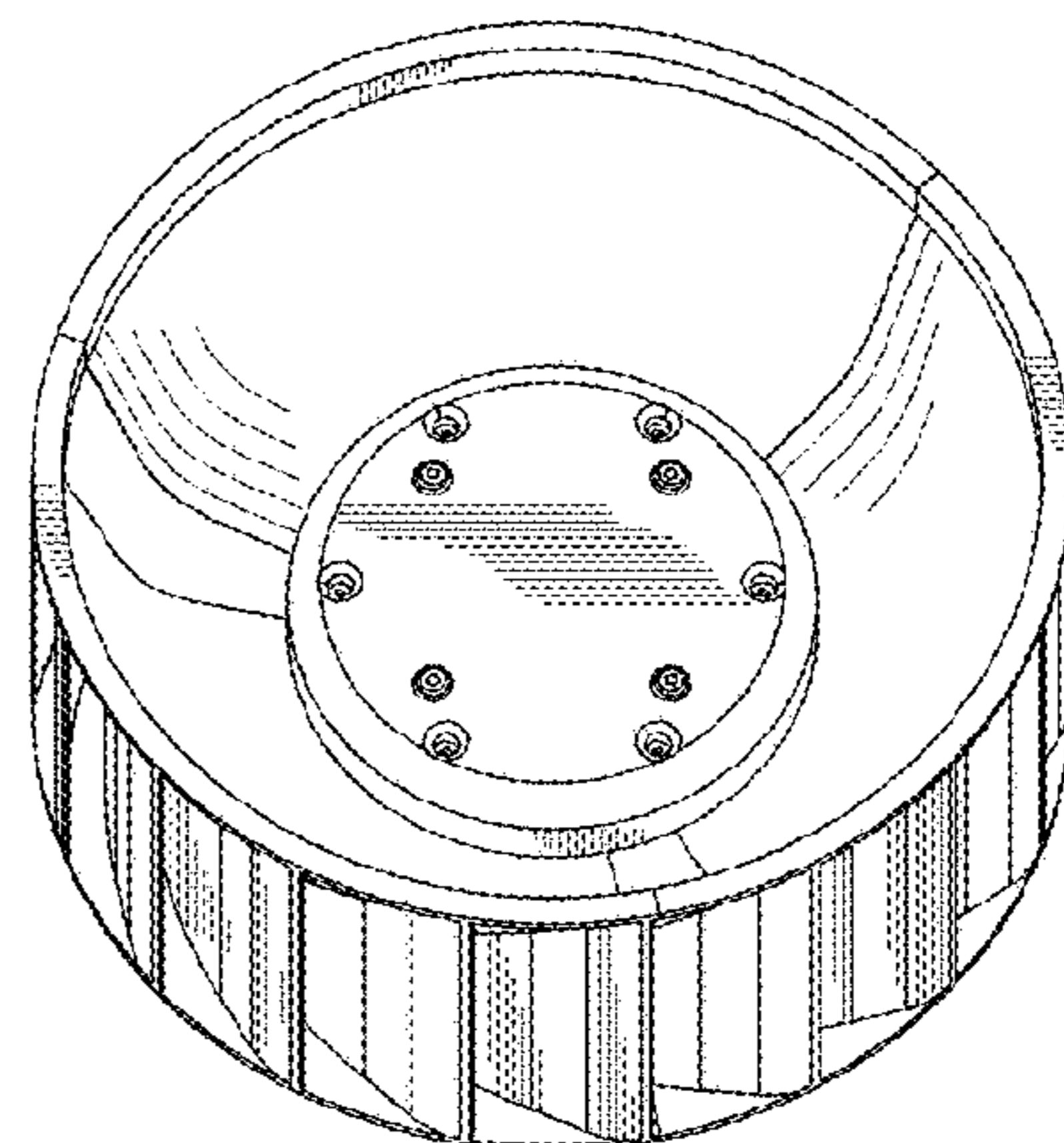
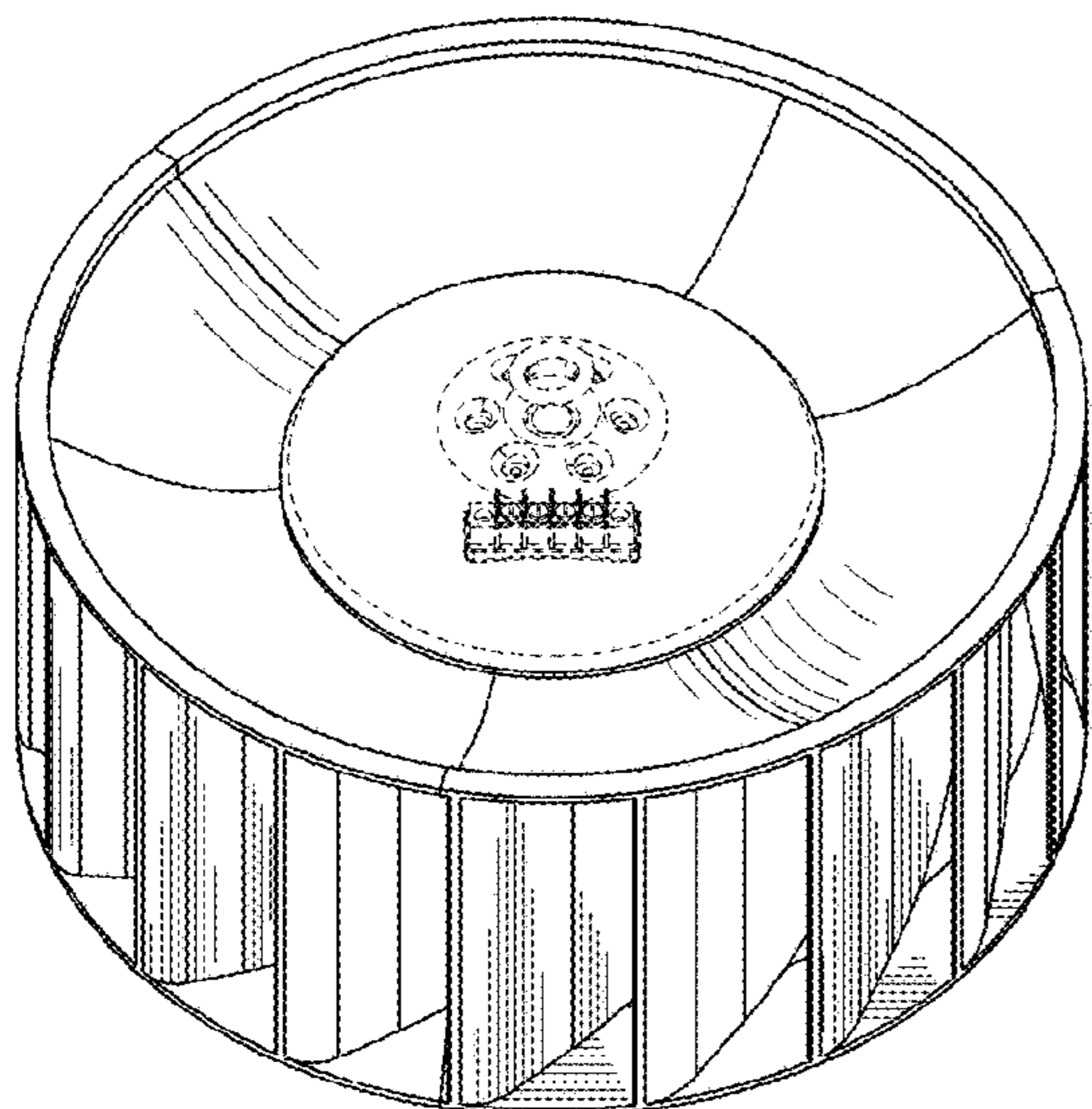
(57) **CLAIM**

The ornamental design for a speaker, as shown and described.

DESCRIPTION

FIG. 1 is a top perspective view of a speaker showing my new design;
FIG. 2 is a side view thereof;
FIG. 3 is another side view thereof;
FIG. 4 is yet another side view thereof;
FIG. 5 is still yet another side view thereof;
FIG. 6 is a top view thereof;
FIG. 7 is a bottom view thereof; and,
FIG. 8 is a bottom perspective view thereof.
The broken lines in the drawings depict portions of the speaker that form no part of the claimed design.

1 Claim, 5 Drawing Sheets



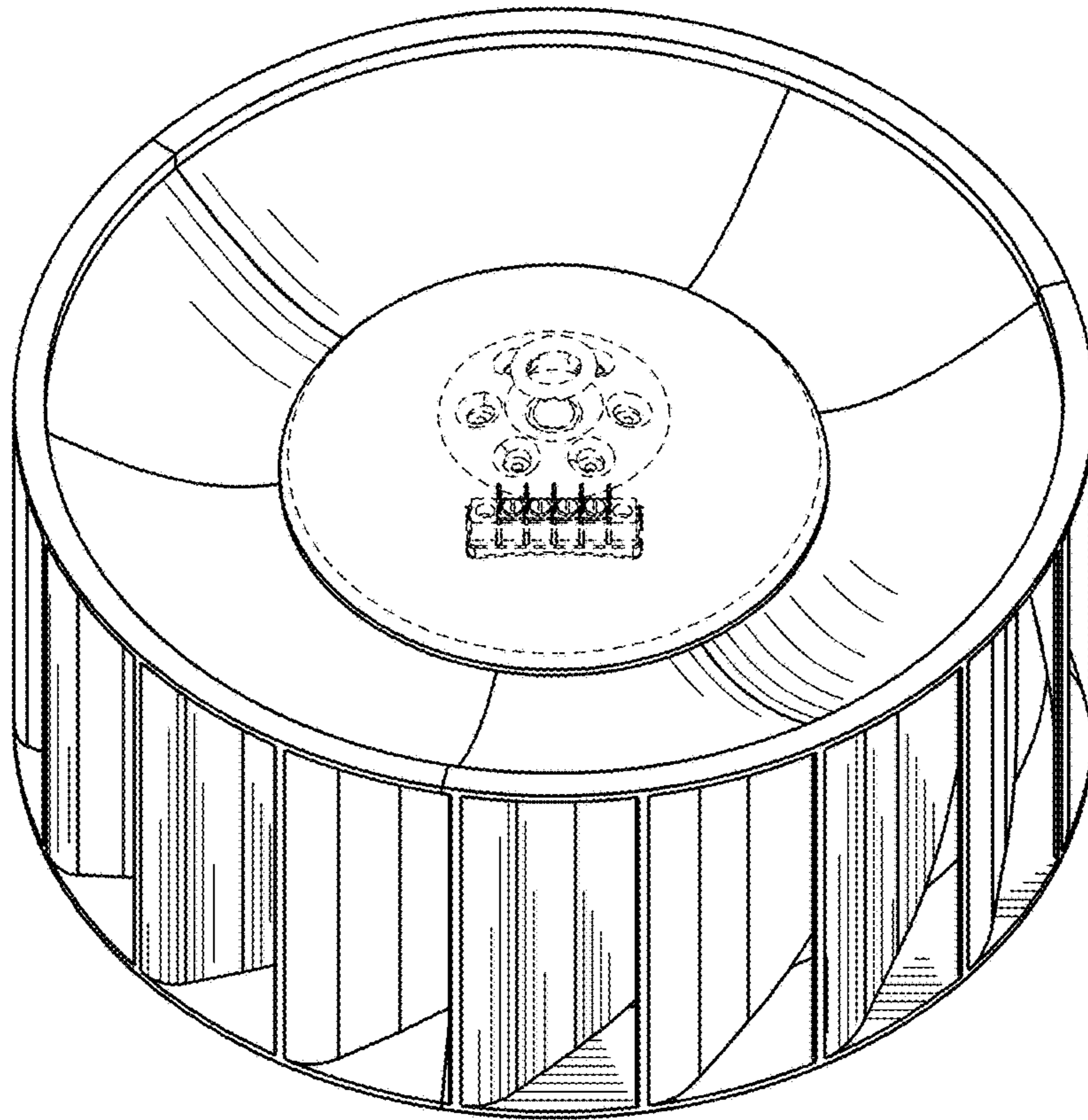


Fig. 1

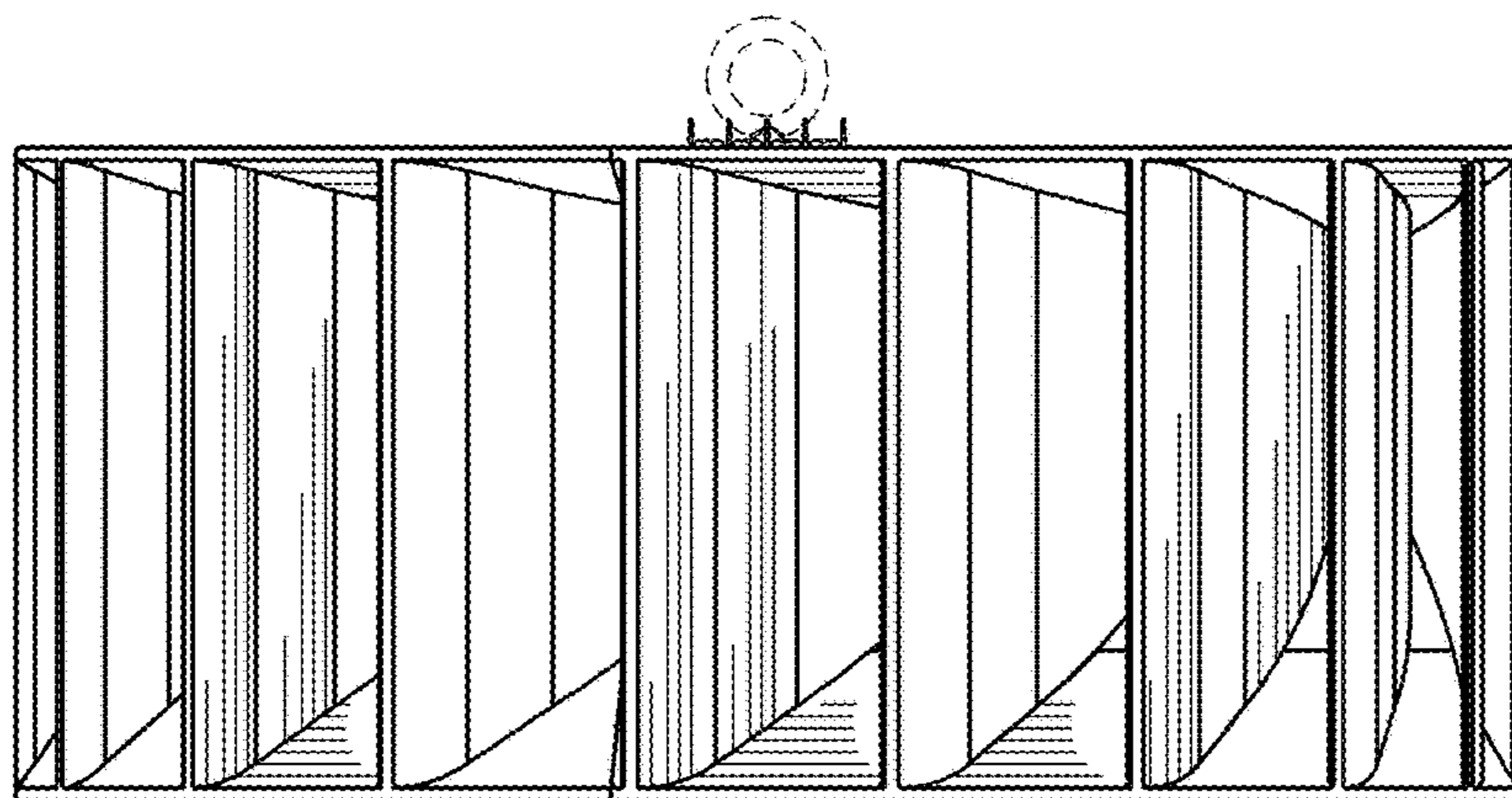


Fig. 2

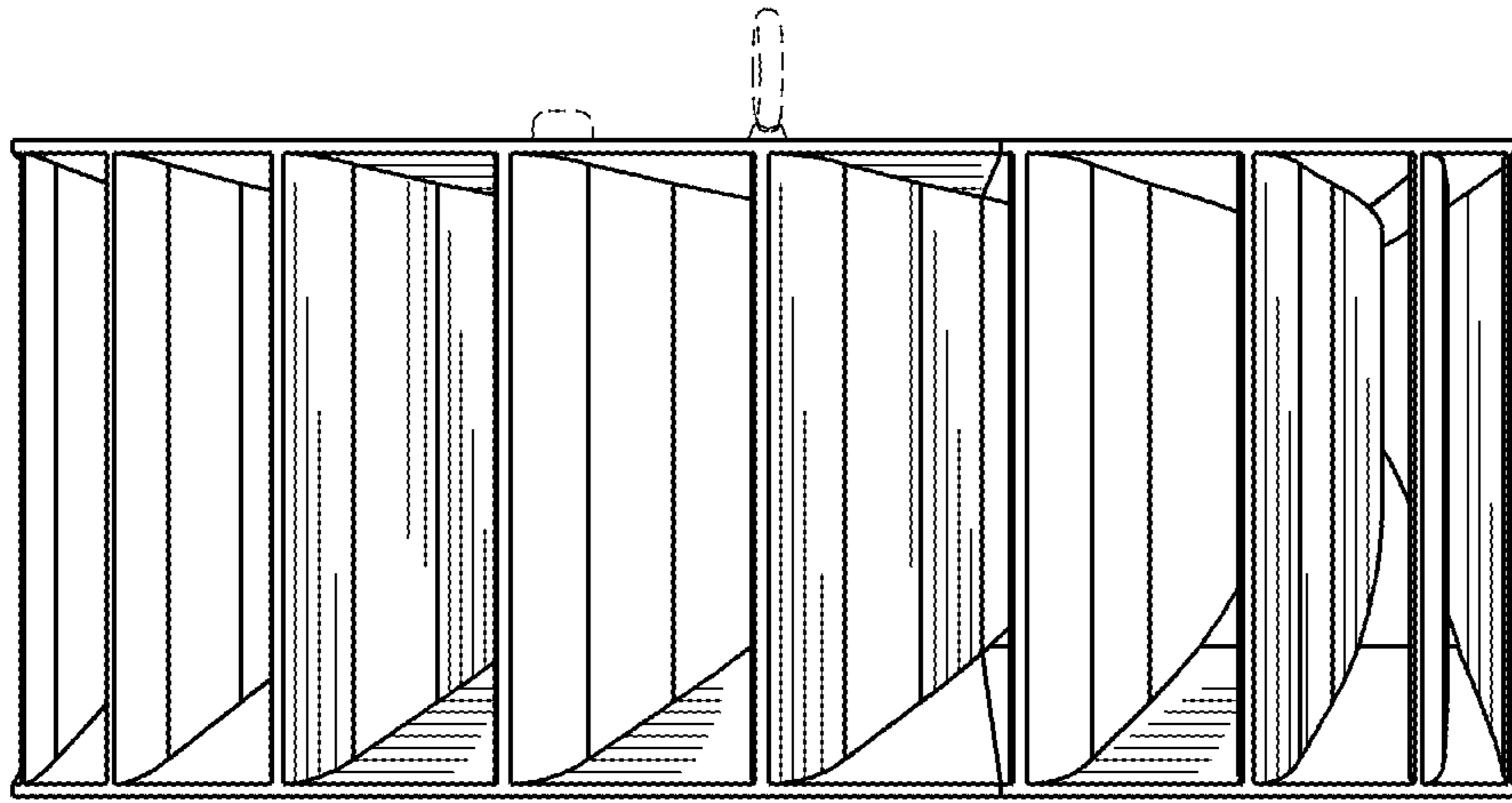


Fig. 3

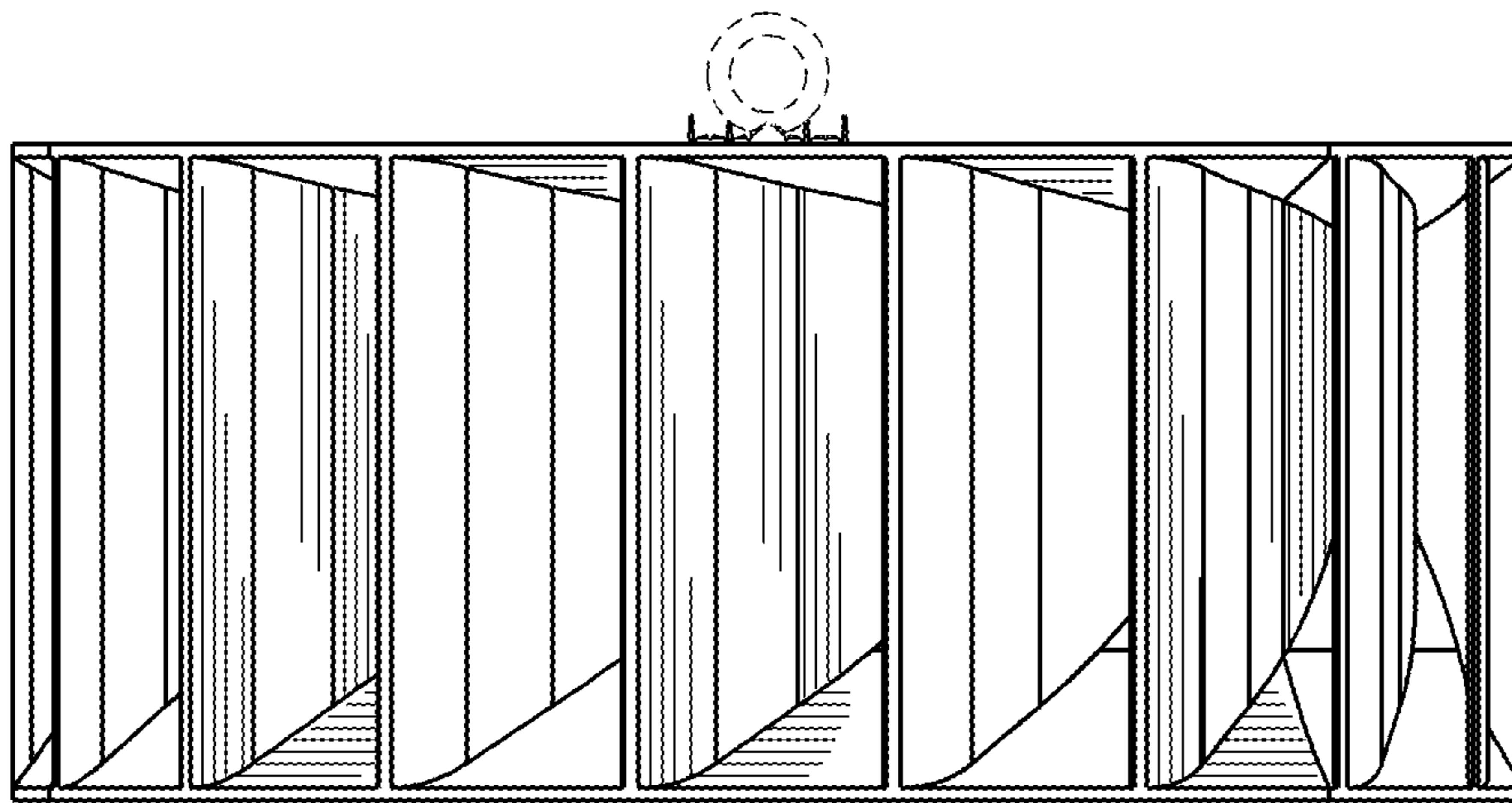


Fig. 4

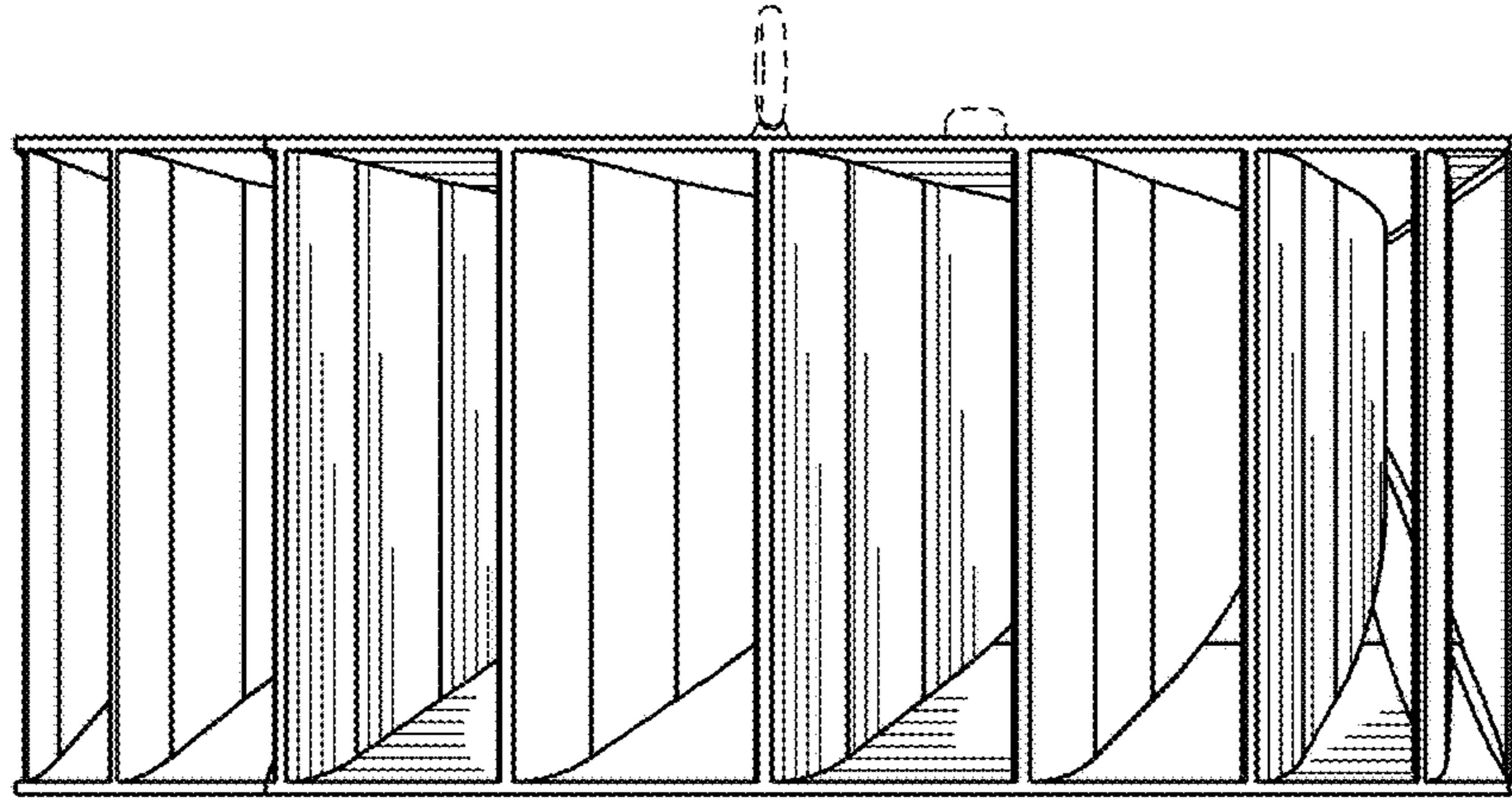


Fig. 5

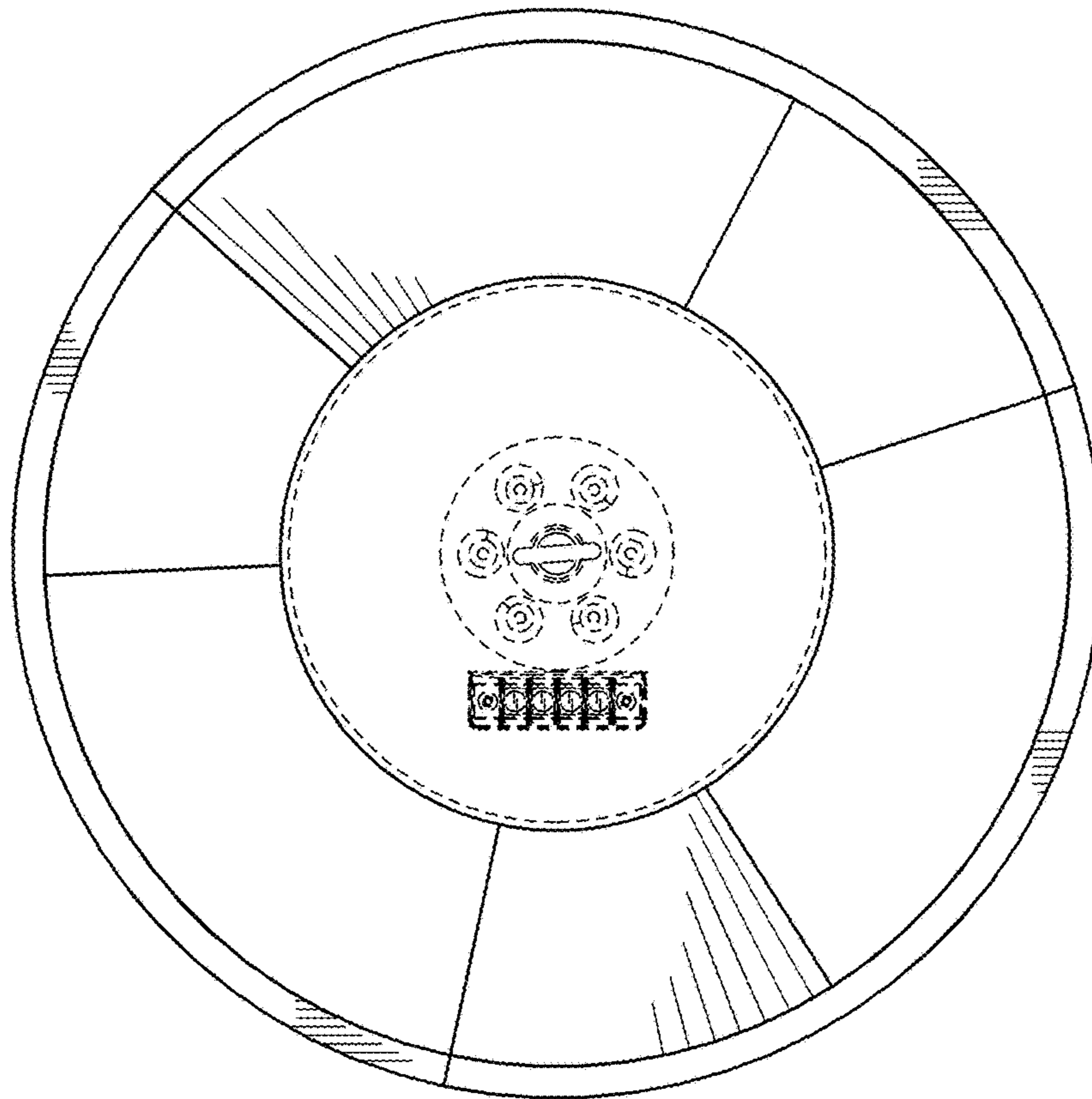


Fig. 6

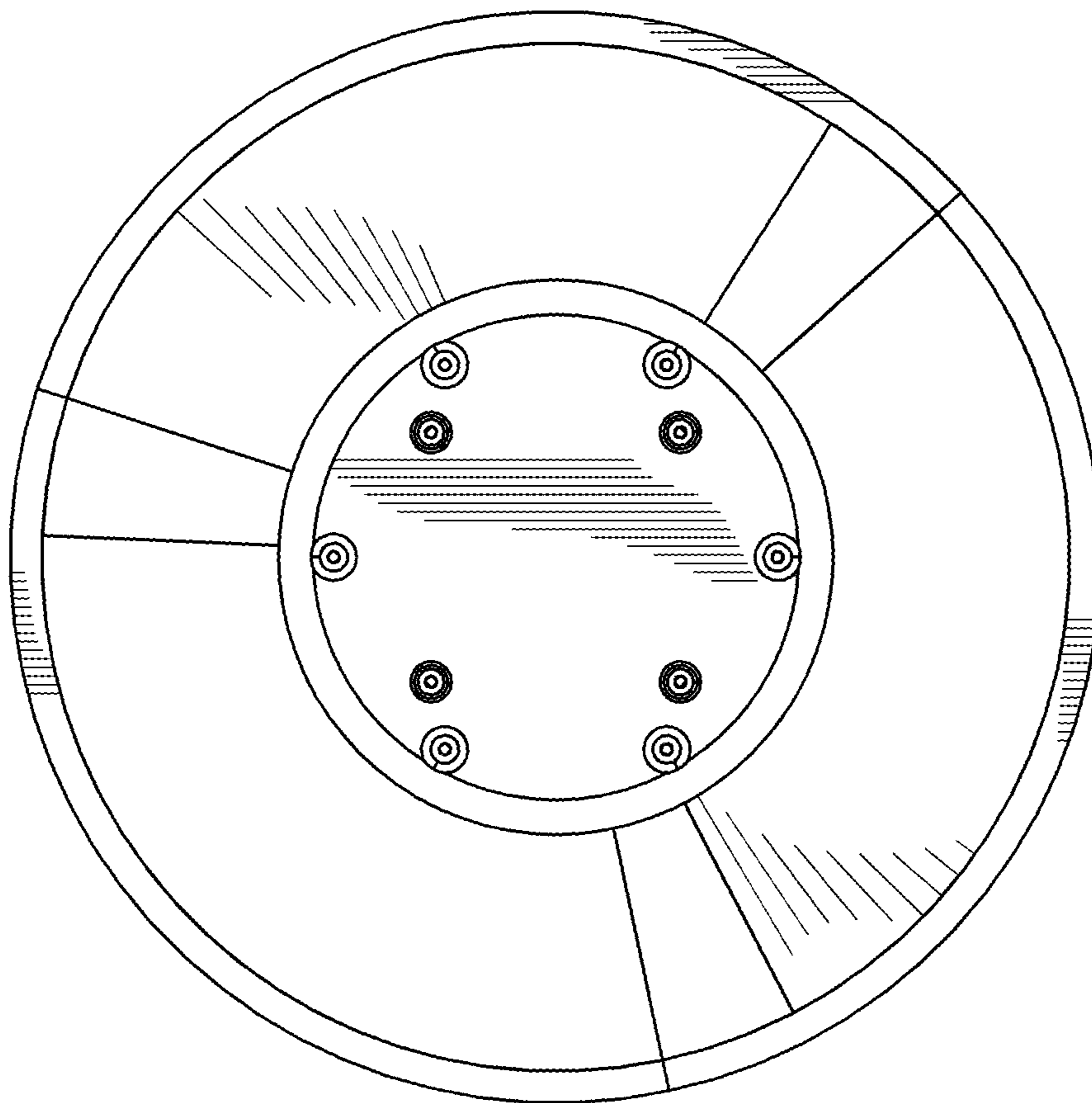


Fig. 7

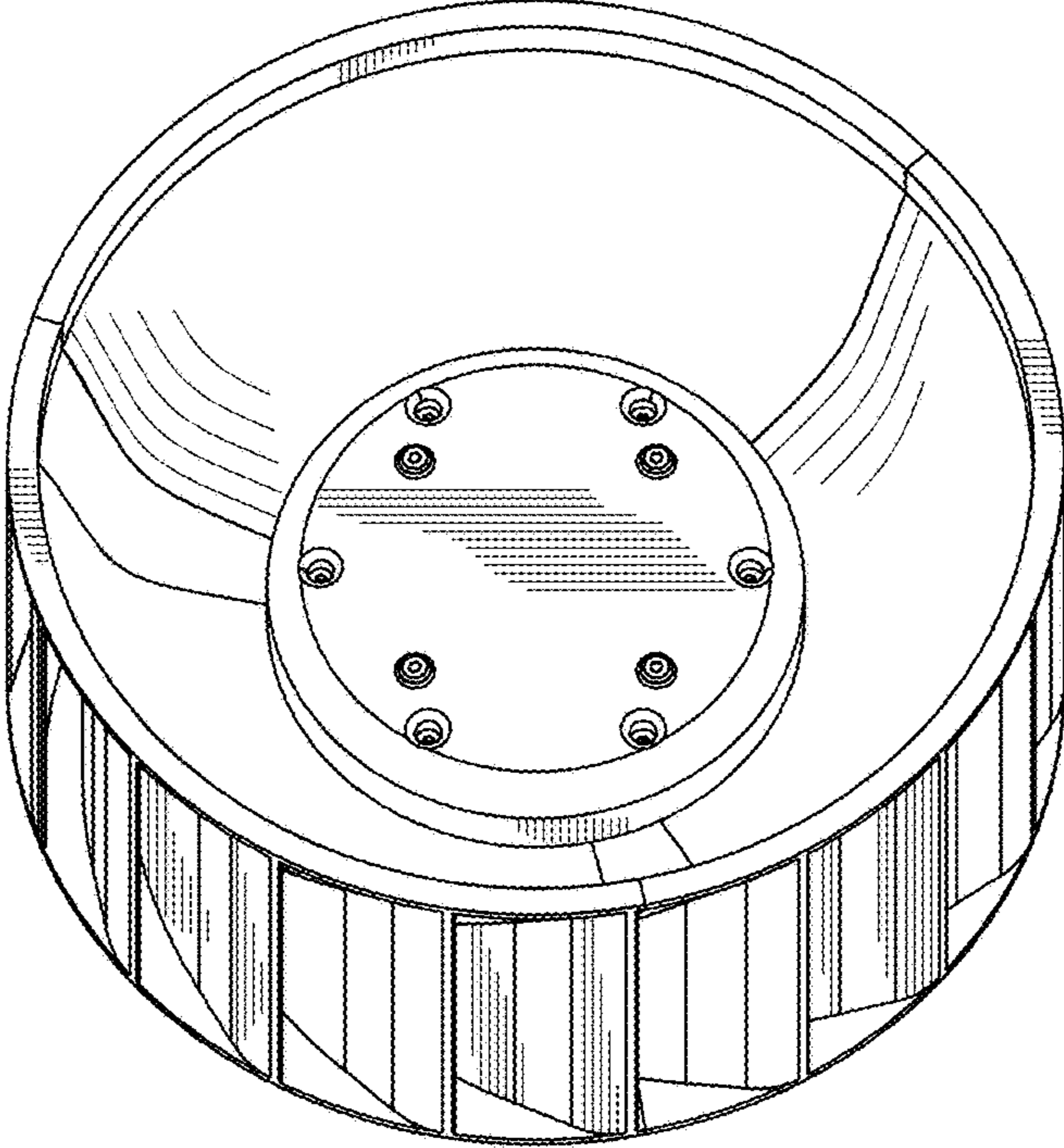


Fig. 8