



US00D808926S

(12) **United States Design Patent**
Kim et al.

(10) **Patent No.:** **US D808,926 S**

(45) **Date of Patent:** **** Jan. 30, 2018**

(54) **SPEAKER**

2400/00; H04R 2201/07; H04R 2499/11;
H04R 2499/13; H04R 2499/15; H04S
3/00; H04S 7/30

(71) Applicant: **Samsung Electronics Co., Ltd.**,
Suwon-si (KR)

See application file for complete search history.

(72) Inventors: **Ji Gwang Kim**, Seoul (KR); **Joon Soo Kim**, Seoul (KR); **YuLi Sung**, Goyang-si (KR); **Young Soo Hong**, Goyang-si (KR)

(56) **References Cited**

U.S. PATENT DOCUMENTS

D464,934 S *	10/2002	Chen	D13/110
D612,837 S *	3/2010	Murray	D14/216
D662,939 S *	7/2012	Akana	D14/447
D686,186 S *	7/2013	Kaneko	D14/168
D695,701 S *	12/2013	Lee	D14/126
D720,752 S *	1/2015	Bleeds	D14/420
D725,285 S *	3/2015	Wohlstadter	D14/336
D726,156 S *	4/2015	Gillespie-Brown	D14/216
D744,875 S *	12/2015	Repp	D10/57
D748,052 S *	1/2016	Behar	D13/107

(Continued)

Primary Examiner — Keli L Hill

(73) Assignee: **SAMSUNG ELECTRONICS CO., LTD.**, Suwon-si (KR)

(74) *Attorney, Agent, or Firm* — McAndrews Held & Malloy, Ltd.

(**) Term: **15 Years**

(57) **CLAIM**

(21) Appl. No.: **29/545,533**

The ornamental design for a speaker, as shown and described.

(22) Filed: **Nov. 13, 2015**

DESCRIPTION

(30) **Foreign Application Priority Data**

May 13, 2015 (KR) 30-2015-0024387

FIG. 1 is a front perspective view of a speaker showing my new design;
FIG. 2 is a front view thereof;
FIG. 3 is a rear view thereof;
FIG. 4 is a left-side elevation view thereof;
FIG. 5 is a right-side elevation view thereof;
FIG. 6 is a top plan view thereof; and,
FIG. 7 is a bottom plan view thereof.

(51) **LOC (11) Cl.** **14-03**

The dashed broken lines in the figures represent portions of the speaker that form no part of the claimed design.

(52) **U.S. Cl.**

USPC **D14/216**

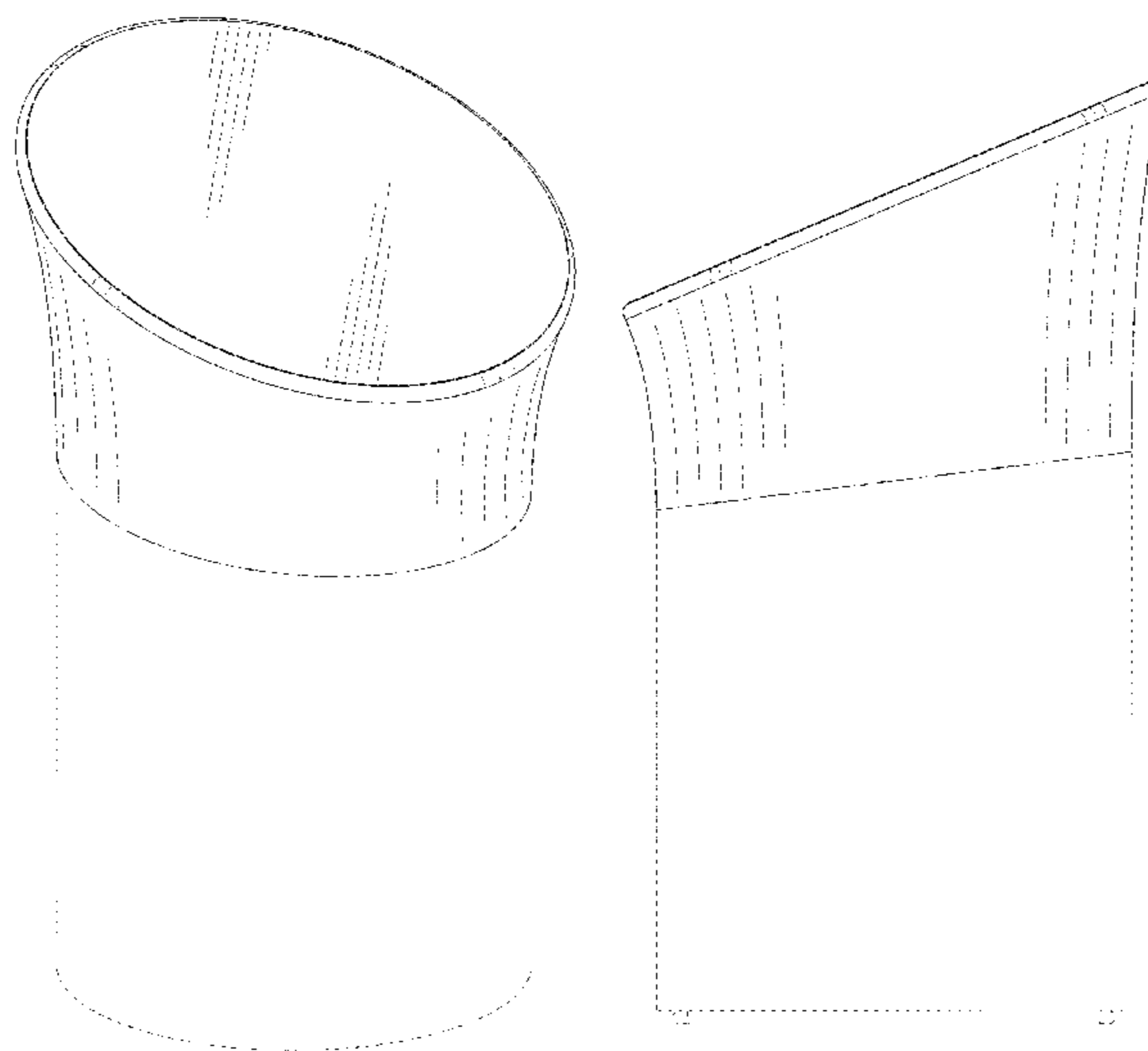
The dot-dash broken lines in the figures represent an unclaimed boundary line and form no part of the claimed design.

(58) **Field of Classification Search**

USPC D14/167, 168, 170–172, 188, 194–196, D14/204, 207, 209.1, 210–216, 219, 221, D14/222, 224, 239, 496; 181/143, 144, 181/147, 148, 150, 153, 157, 198, 199; 381/300–303, 306, 332, 333, 336, 345, 381/361–364, 386–388; 369/6–12

CPC B60R 11/0217; G06F 1/1688; G10K 9/22; G10K 11/004; H03F 1/327; H04M 1/03; H04M 1/035; H04N 5/642; H04N 21/4852; H04R 1/02; H04R 1/06; H04R 1/021; H04R 1/025; H04R 1/026; H04R 1/028; H04R 1/105; H04R 1/323; H04R 1/403; H04R 1/2803; H04R 1/2834; H04R 5/02; H04R 7/20; H04R 9/06; H04R 9/025; H04R 2201/021; H04R

1 Claim, 7 Drawing Sheets



(56)

References Cited

U.S. PATENT DOCUMENTS

D752,552 S * 3/2016 D'Ascanio D14/216
D770,416 S * 11/2016 Tkachuk D14/216

* cited by examiner

FIG. 1

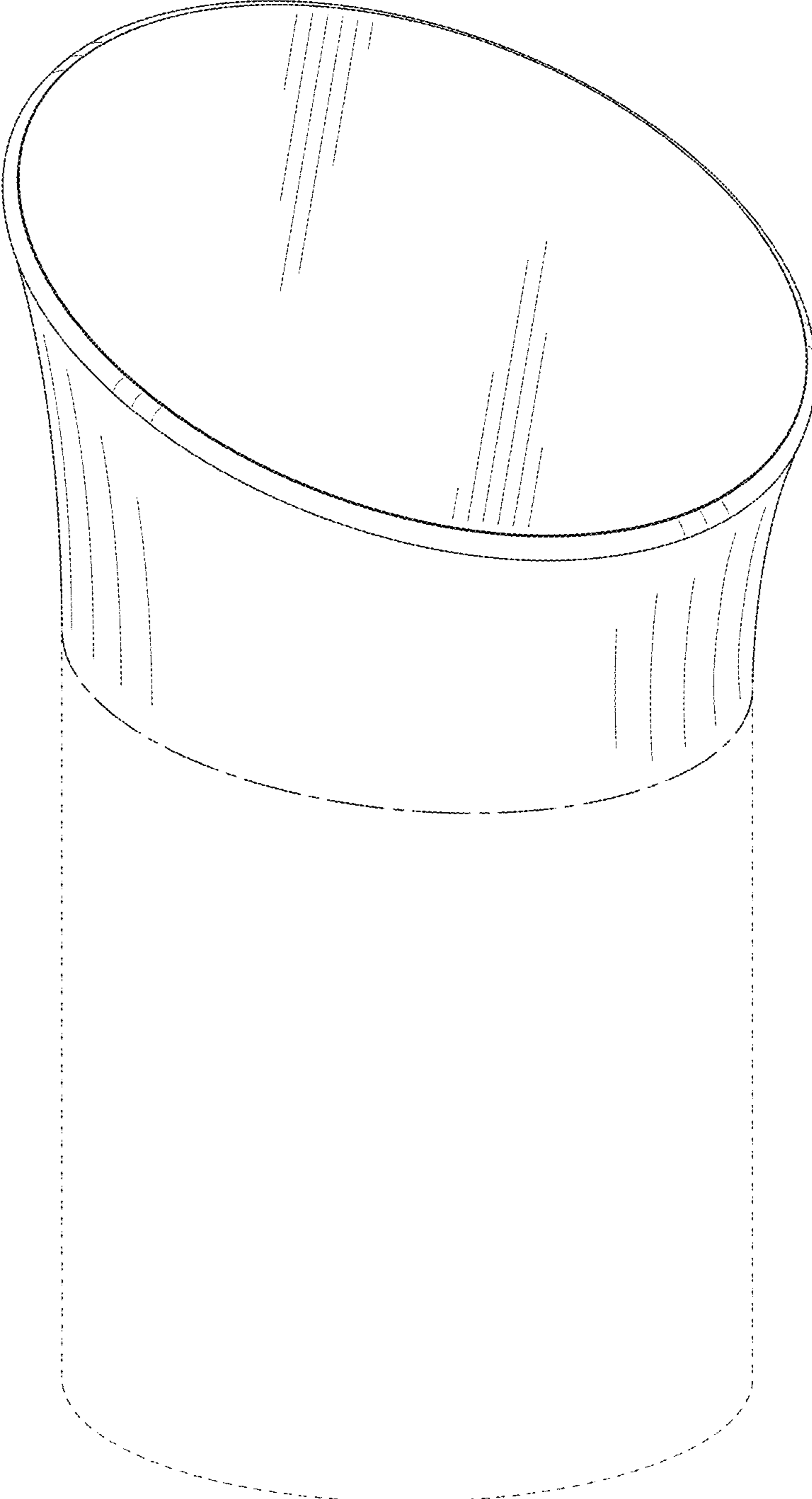


FIG. 2

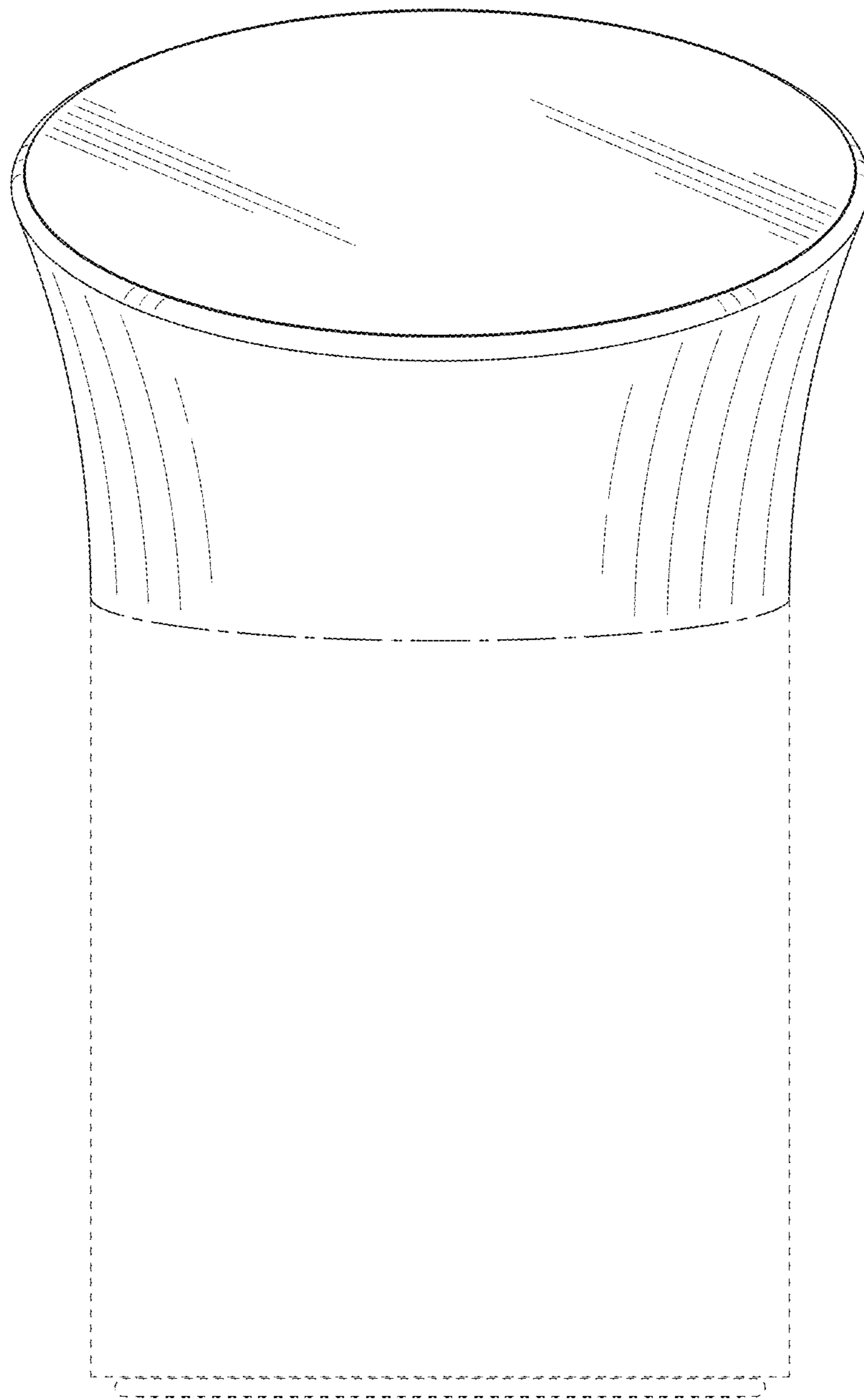


FIG. 3

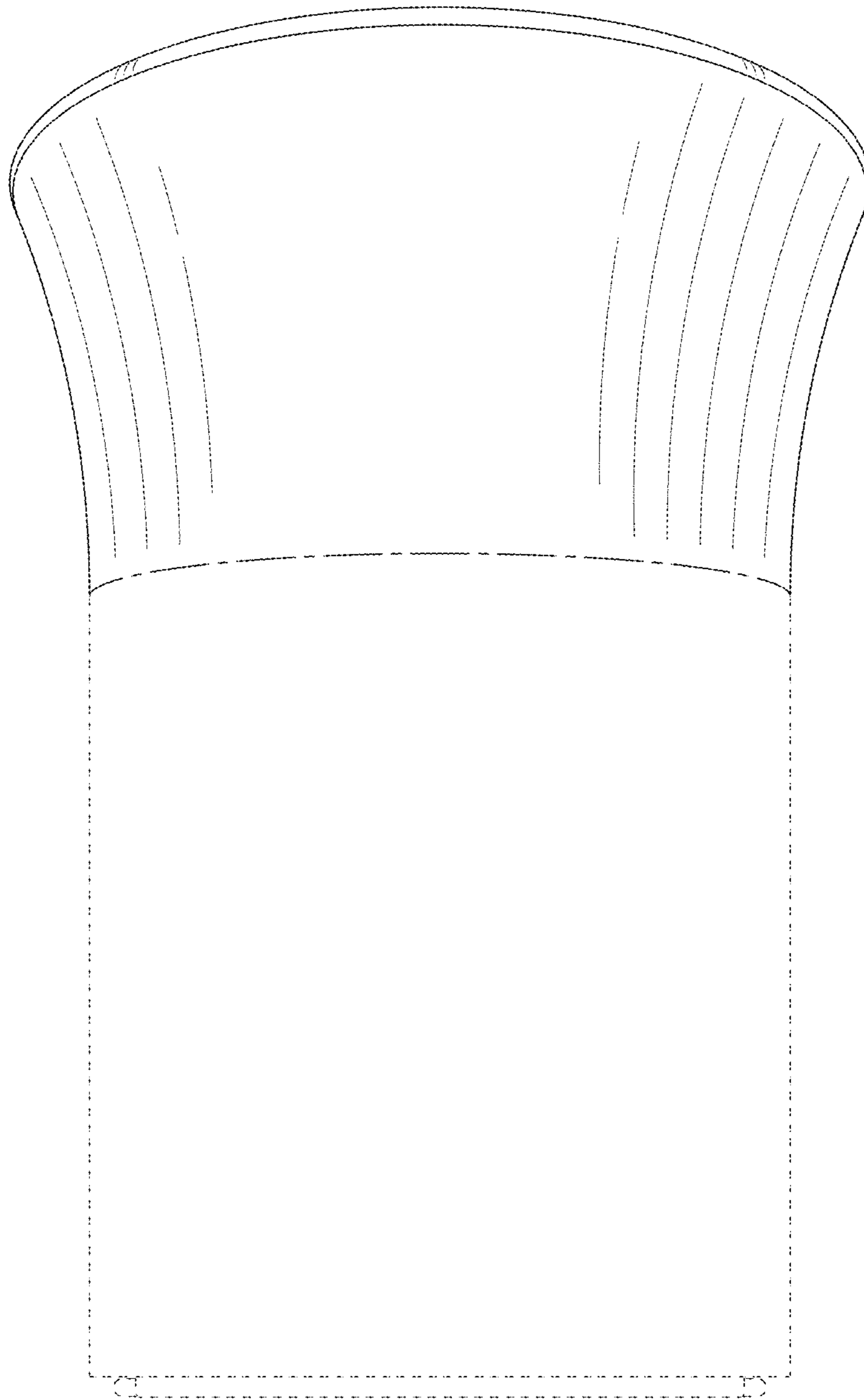


FIG. 4

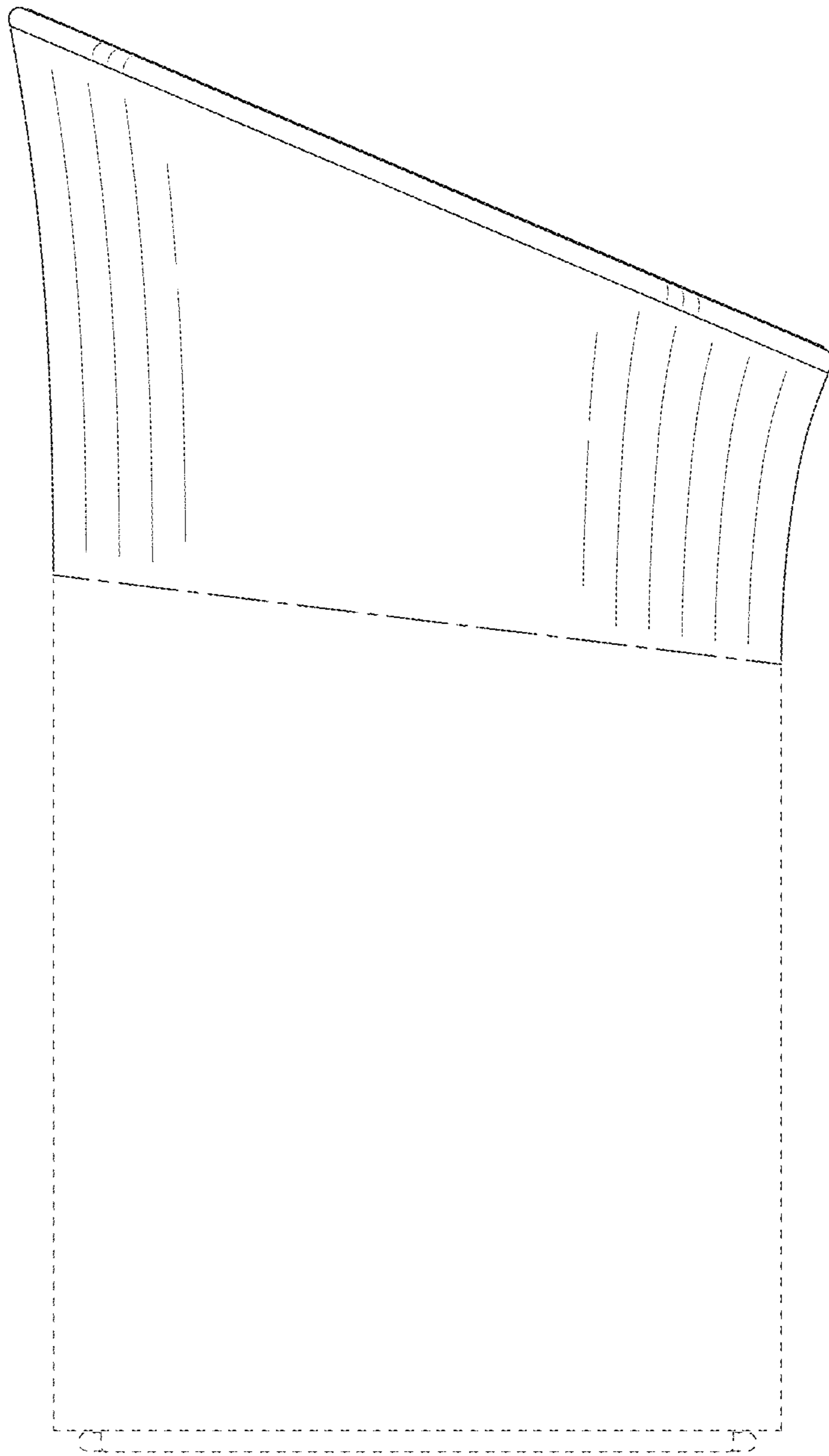


FIG. 5

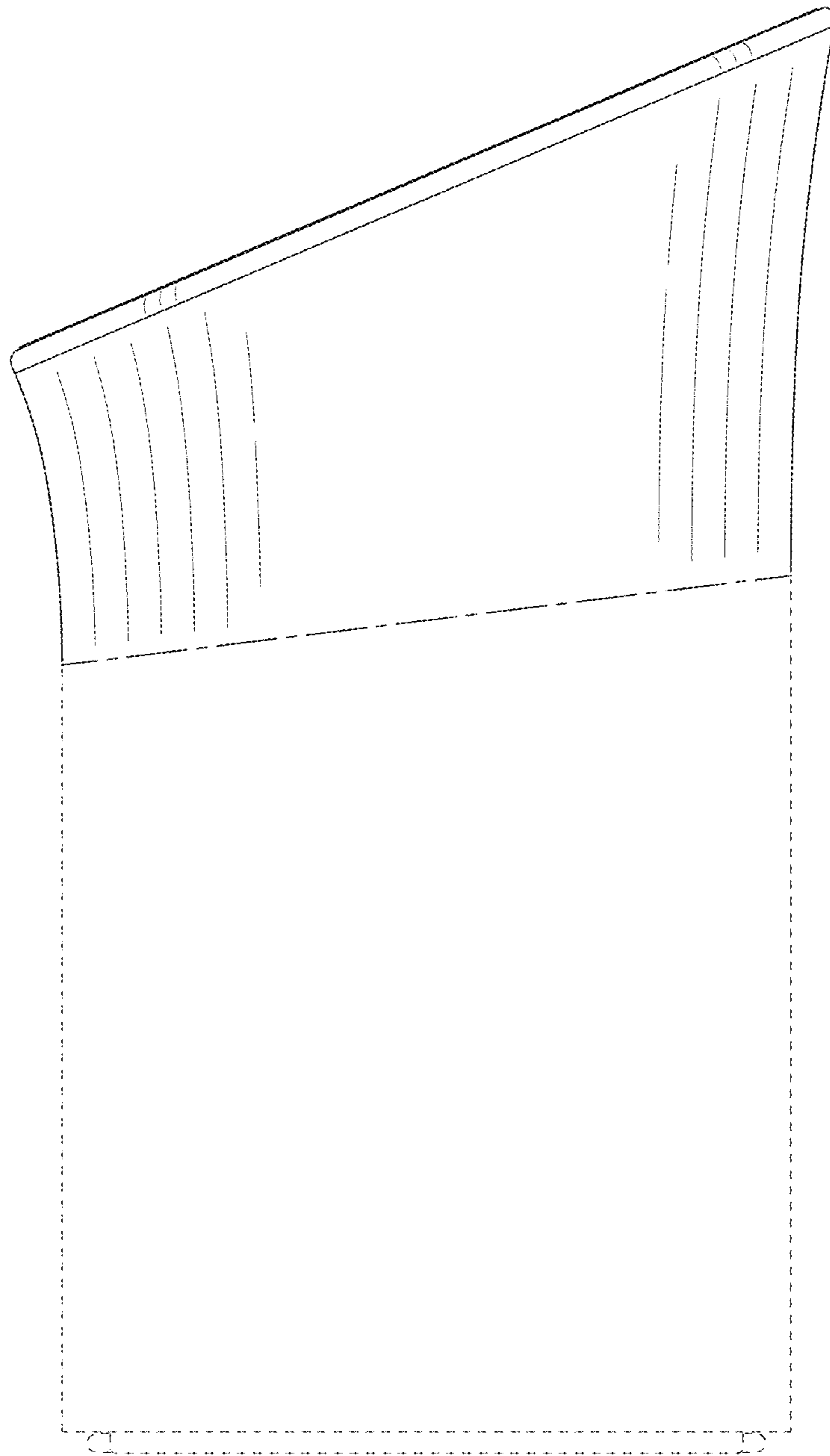


FIG. 6

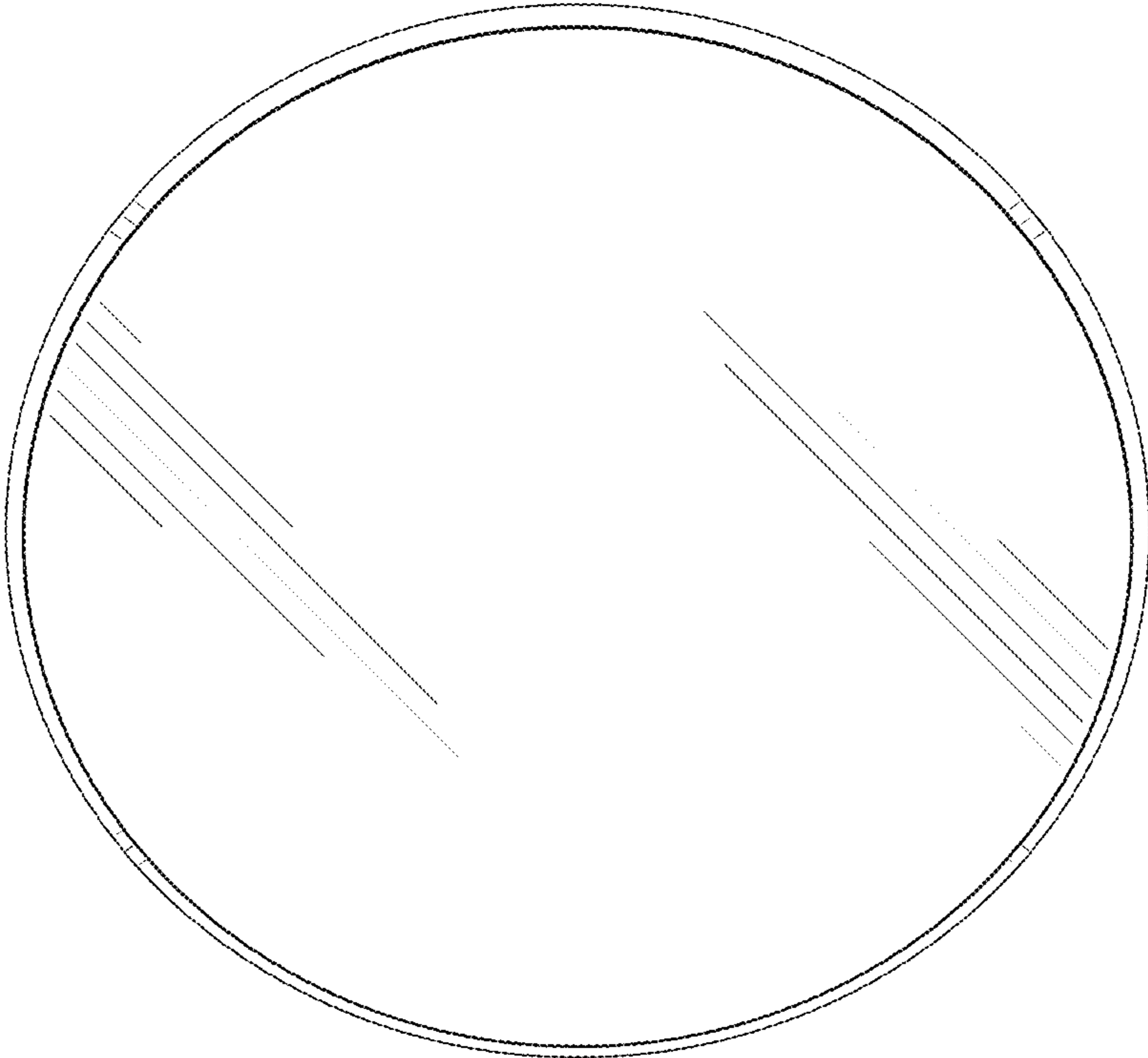


FIG. 7

