



US00D808925S

(12) **United States Design Patent**
Kaplan

(10) **Patent No.:** **US D808,925 S**

(45) **Date of Patent:** **** Jan. 30, 2018**

- (54) **SPEAKER PANEL**
- (71) Applicant: **SSV WORKS, INC.**, Oxnard, CA (US)
- (72) Inventor: **Trevor Kaplan**, Oxnard, CA (US)
- (73) Assignee: **SSV WORKS, INC.**, Oxnard, CA (US)

(**) Term: **15 Years**

(21) Appl. No.: **29/572,402**

(22) Filed: **Jul. 27, 2016**

(51) **LOC (11) Cl.** **14-01**

(52) **U.S. Cl.**
USPC **D14/215**

(58) **Field of Classification Search**
USPC D14/168, 188, 194, 195, 196, 204, 210,
D14/211, 212, 213, 214, 215, 216, 197,
D14/198

CPC B60R 11/0217; G06F 1/1688; G10K 9/22;
G10K 11/004; H03F 1/327; H04M 1/03;
H04M 1/035; H04N 5/642; H04N
21/4852; H04S 3/00; H04S 7/30; H04R
1/02; H04R 1/06; H04R 1/021; H04R
1/025; H04R 1/026; H04R 1/028; H04R
1/105; H04R 1/323; H04R 1/403; H04R
1/2803; H04R 1/2834; H04R 5/02; H04R
7/20; H04R 9/06; H04R 9/025; H04R
2201/021; H04R 2400/00; H04R 2400/07;
H04R 2499/11; H04R 2499/13; H04R
2499/15

See application file for complete search history.

(56) **References Cited**

U.S. PATENT DOCUMENTS

- 1,536,712 A * 5/1925 Hehny H04R 1/1008
181/175
- 1,893,474 A * 1/1933 Lieber H04R 25/656
381/328

- 3,087,028 A * 4/1963 Bonnin H04M 1/05
2/209
- D372,243 S * 7/1996 Thorley D14/204
- D414,152 S * 9/1999 Sprague D12/195
- D430,145 S * 8/2000 Boyden D14/223
- D448,334 S * 9/2001 Williams D12/195
- D467,574 S * 12/2002 Suzuki D14/216

(Continued)

OTHER PUBLICATIONS

Amazon—SSV WORKS Front Speaker Pods, announced Sep. 12, 2016 [online], [site visited Sep. 13, 2017]. Available from internet, URL: <<https://www.amazon.com/SSV-WORKS-YZX1000R-Speaker-speakers/dp/B01LXSX3WX>>.*

(Continued)

Primary Examiner — Keli L Hill

Assistant Examiner — Karra S Johnson

(74) *Attorney, Agent, or Firm* — Koppel, Patrick, Heybl & Philpott

(57) **CLAIM**

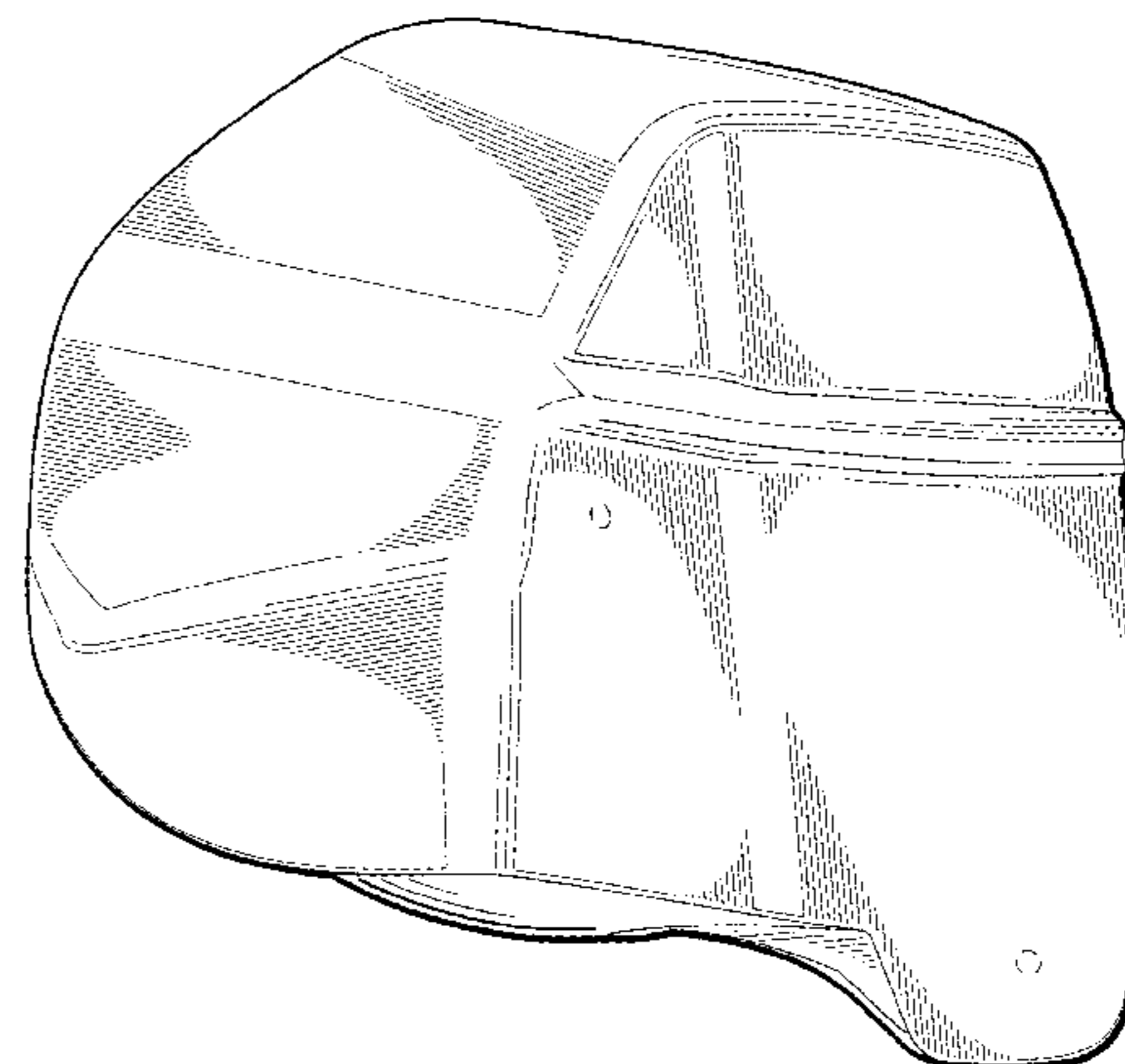
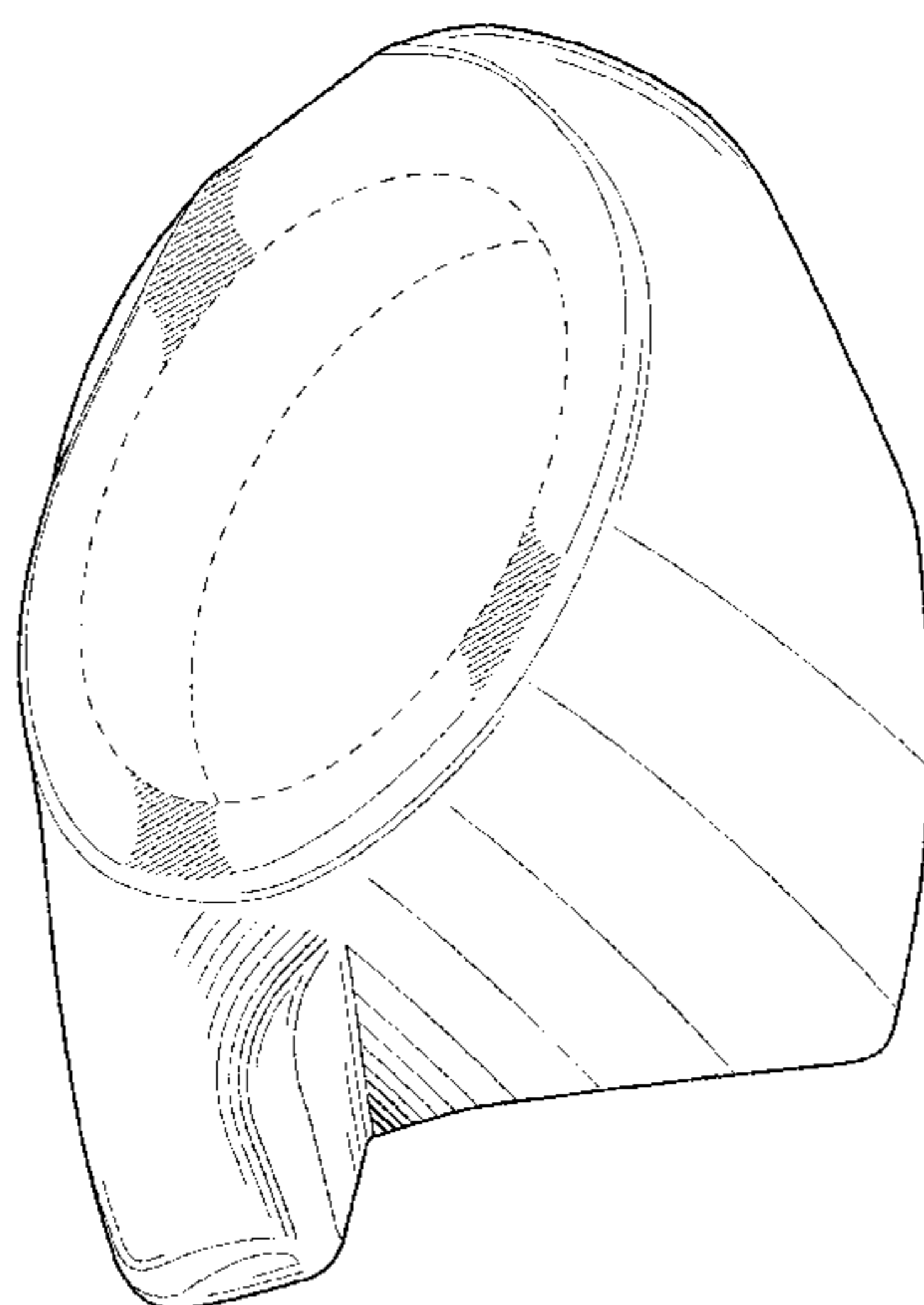
The ornamental design for a speaker panel, as shown and described herein.

DESCRIPTION

FIG. 1 is top, front, right side perspective view of a speaker panel, showing my new design installed in a vehicle; FIG. 2 is a top, front, right side perspective view thereof; FIG. 3 is a bottom, front, right side perspective view thereof; FIG. 4 is a front elevation view thereof; FIG. 5 is a rear elevation view thereof; FIG. 6 is a left side elevation view thereof; and FIG. 7 is a right side elevation view thereof; FIG. 8 is top plan view thereof; and, FIG. 9 is a bottom plan view thereof.

The broken lines shown are included for the purpose of illustrating environmental subject matter and portions of the speaker panel that form no part of the claimed design.

1 Claim, 5 Drawing Sheets



(56)

References Cited

U.S. PATENT DOCUMENTS

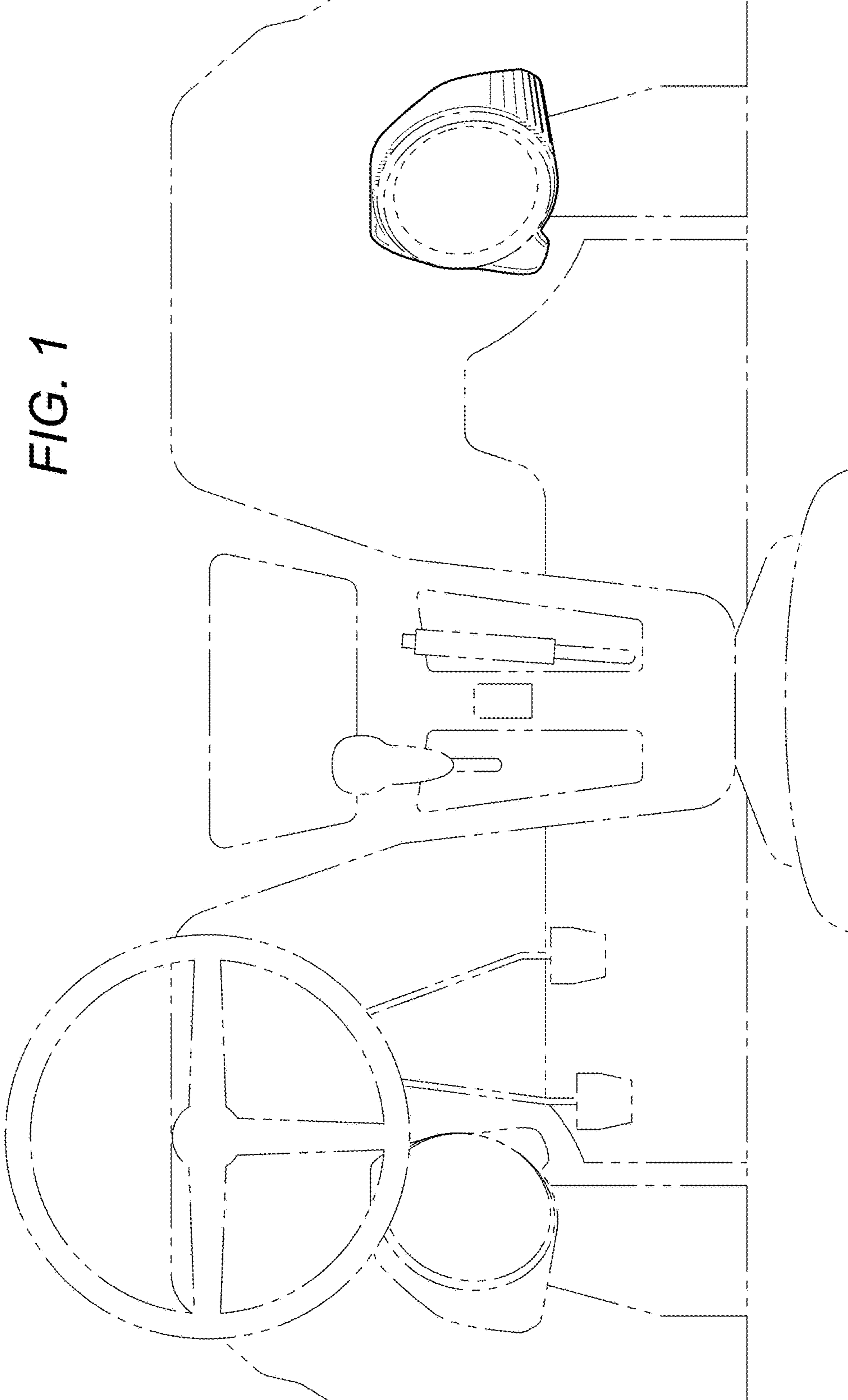
6,614,913 B1 * 9/2003 Allen H04R 1/025
181/150
6,688,421 B2 * 2/2004 Dyer A61F 11/08
181/130
D593,537 S * 6/2009 Arimoto D14/205
D618,219 S * 6/2010 Burgett D14/223
D678,462 S * 3/2013 Whitis D23/201
D716,770 S * 11/2014 Bonahoom D14/223
D729,193 S * 5/2015 Kirsch D14/205
D740,199 S * 10/2015 Akita D12/307
D763,824 S * 8/2016 Kaplan D14/215
2006/0188124 A1 * 8/2006 Sasaki H04R 1/22
381/386

OTHER PUBLICATIONS

Tour-Pak Rear Speaker Enclosure Kit, announced Oct. 30, 2015
[online, dated via reviews], [site visited Sep. 13, 2017]. Available
from internet, URL: <<https://www.harley-davidson.com/store/tour-pak-rear-speaker-enclosure-kit>>.*

* cited by examiner

FIG. 1



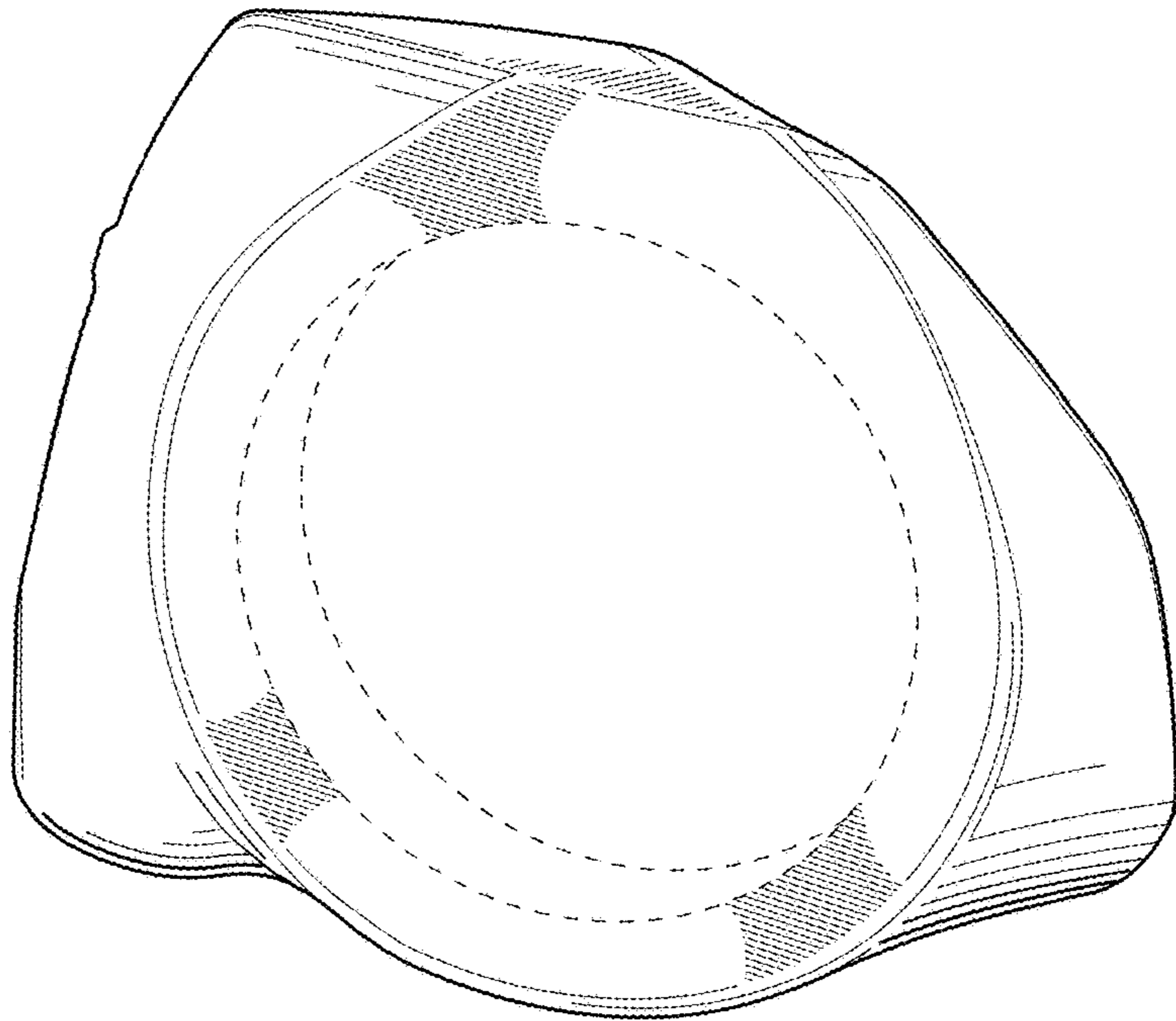


FIG. 2

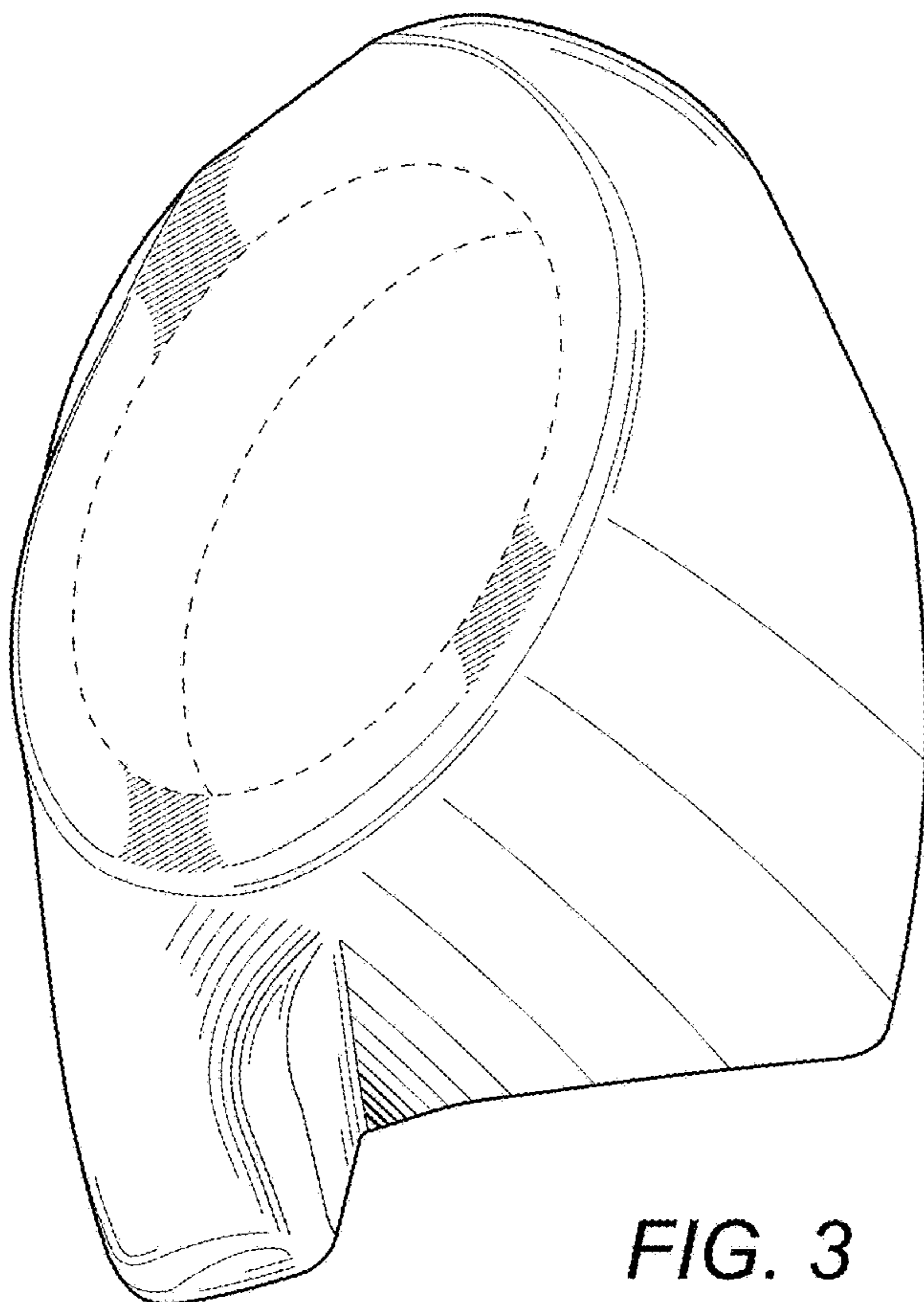


FIG. 3

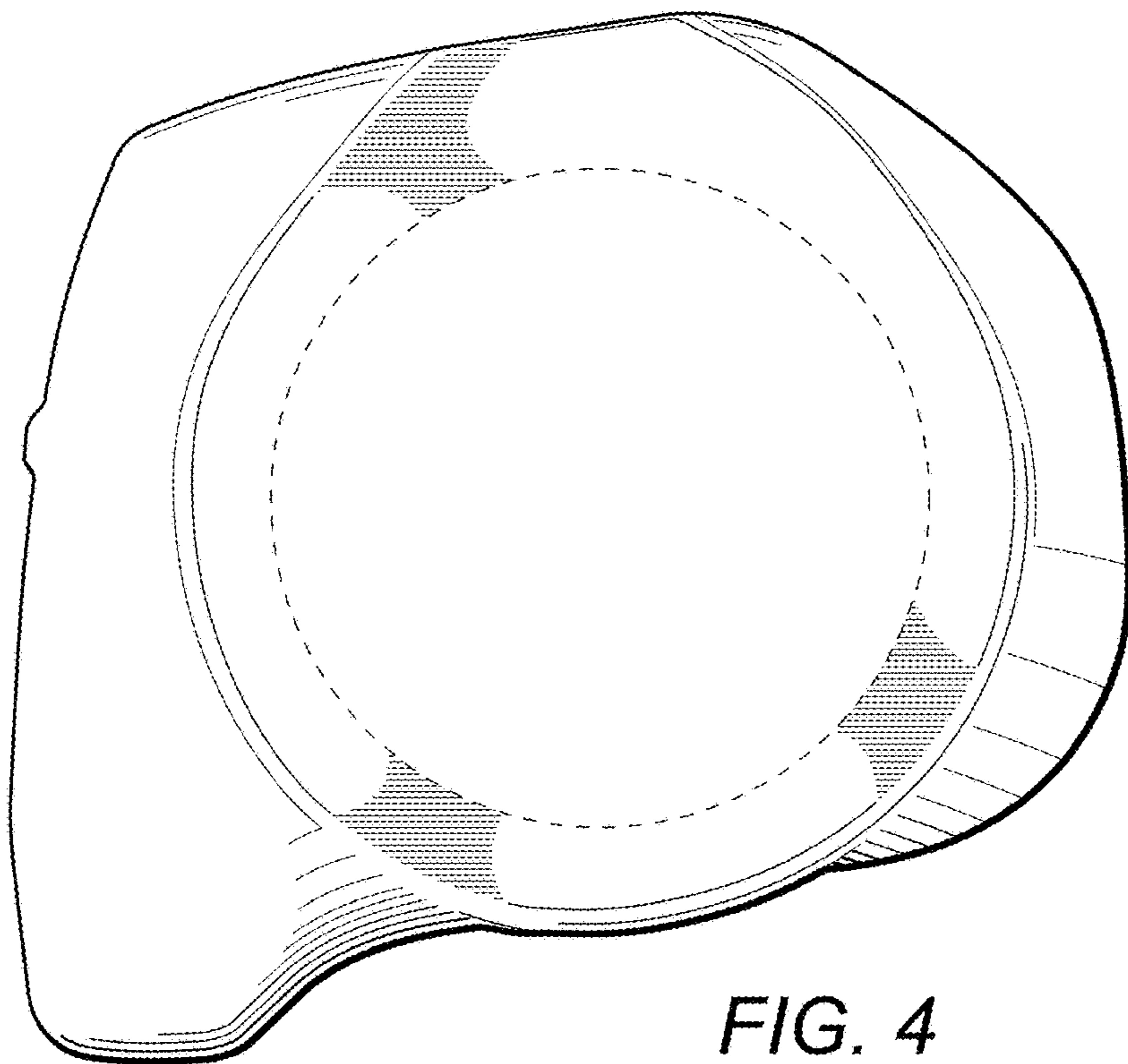


FIG. 4

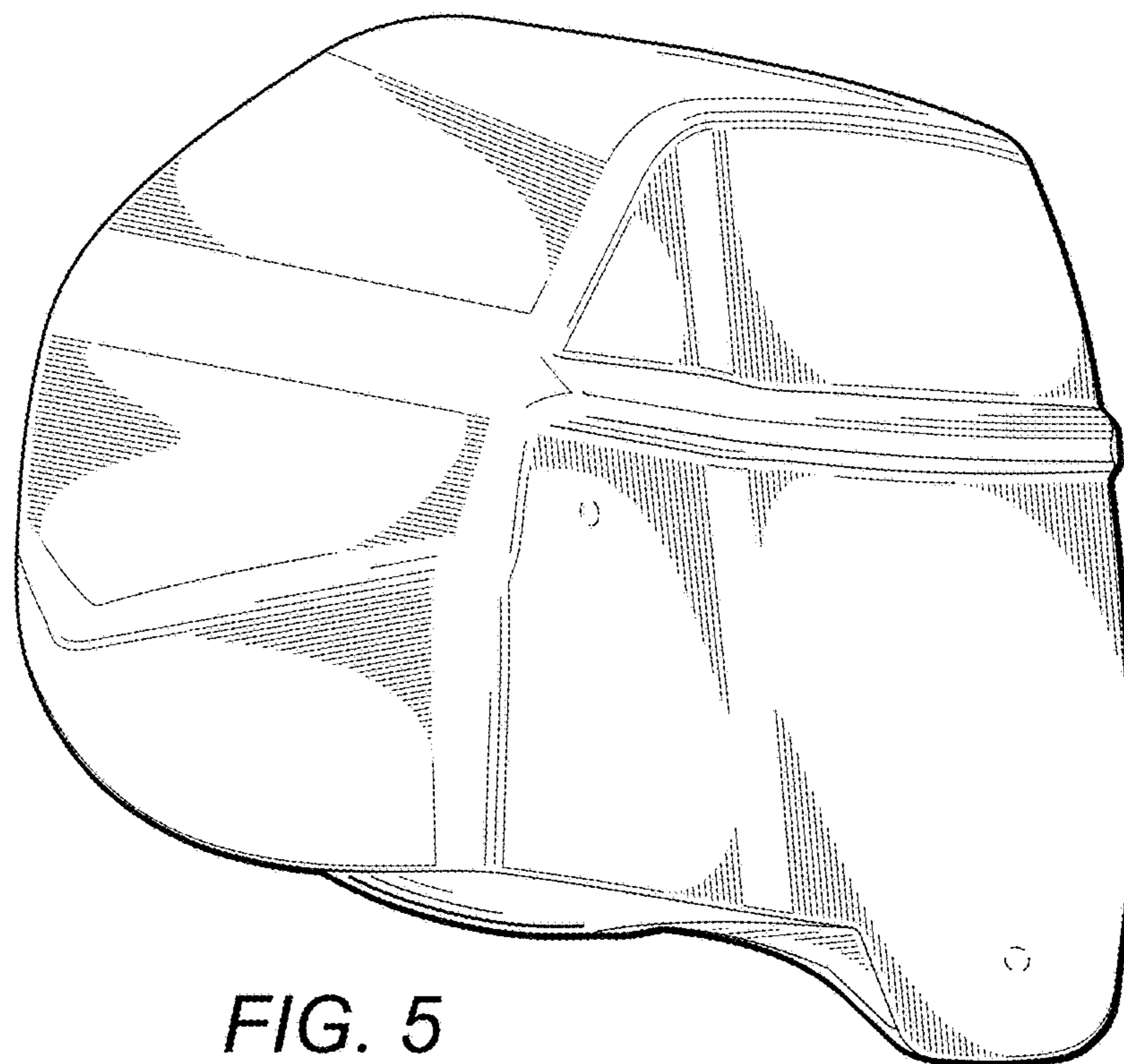


FIG. 5

FIG. 6

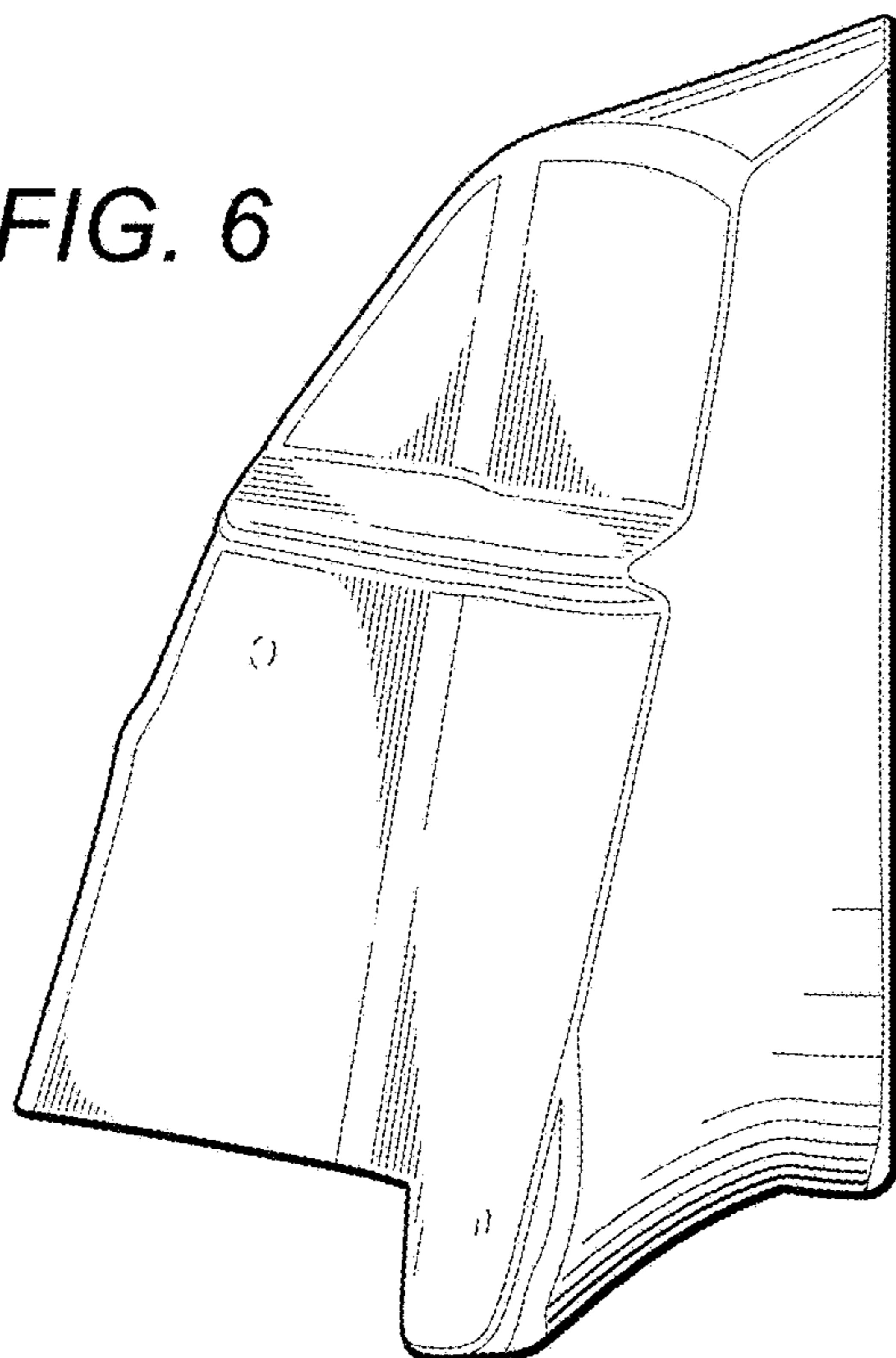
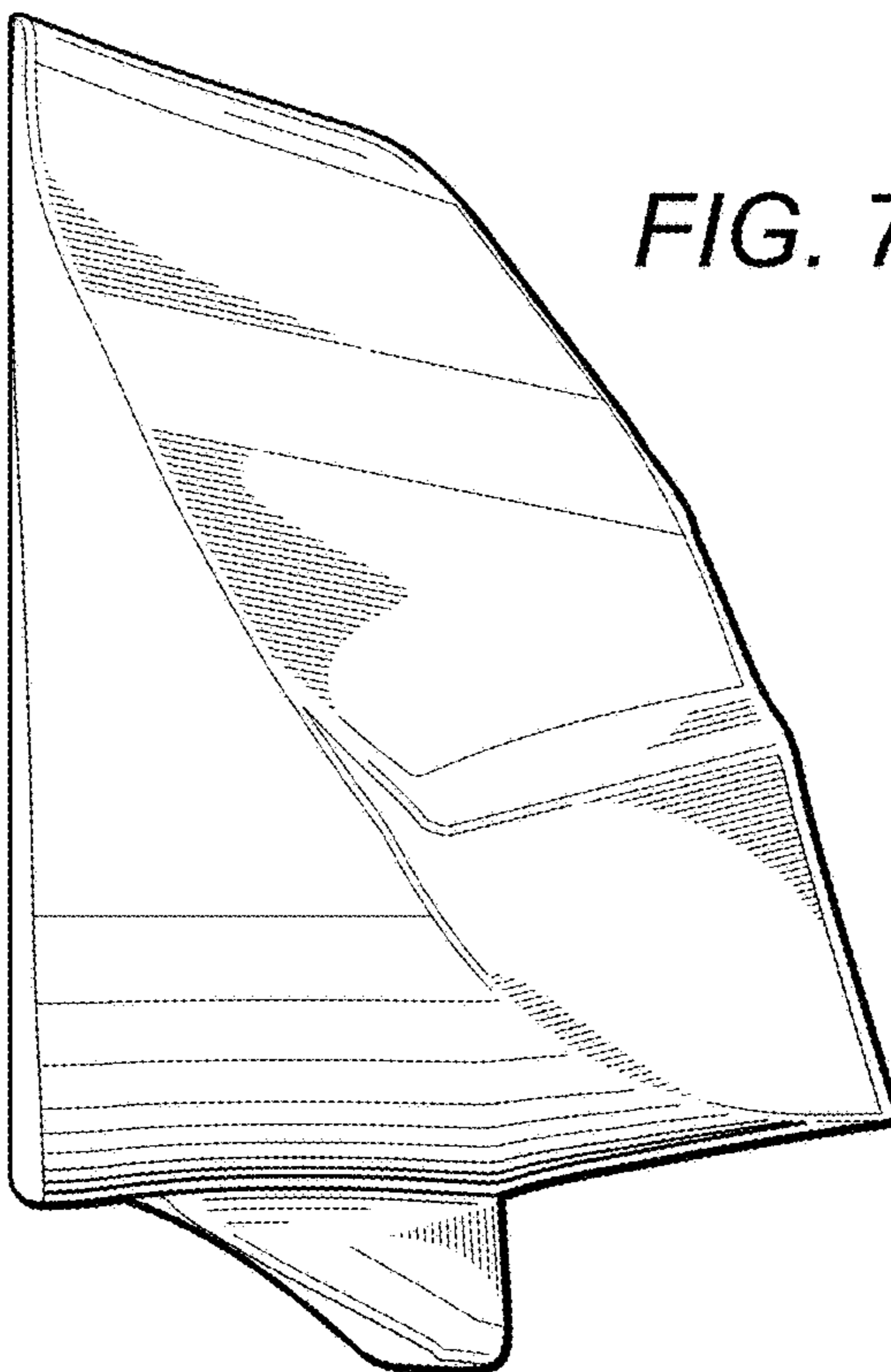


FIG. 7



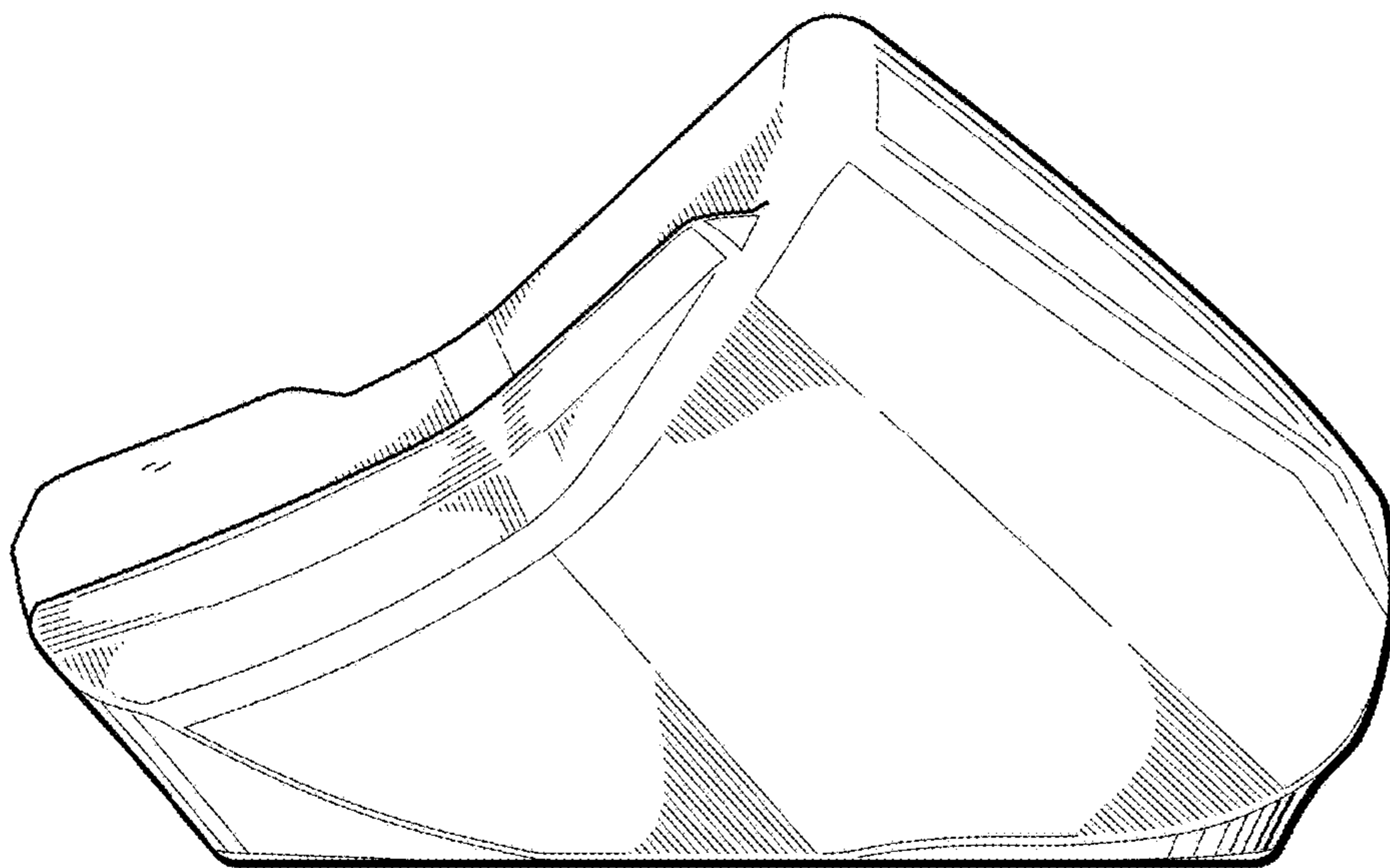


FIG. 8

FIG. 9

