



US00D808924S

(12) **United States Design Patent**
Kitamura

(10) **Patent No.:** **US D808,924 S**

(45) **Date of Patent:** **** Jan. 30, 2018**

(54) **SPEAKER BOX**

2400/00; H04R 2400/07; H04R 2499/11;
H04R 2499/13; H04R 2499/15; H04S
3/00; H04S 7/30

(71) Applicant: **Pioneer DJ Corporation,**
Kawasaki-shi, Kanagawa (JP)

See application file for complete search history.

(72) Inventor: **Meiji Kitamura,** Kawasaki (JP)

(56) **References Cited**

(73) Assignee: **Pioneer DJ CORPORATION,**
Kawasaki-shi, Kanagawa (JP)

U.S. PATENT DOCUMENTS

(**) Term: **15 Years**

D519,105 S *	4/2006	Masui	D14/214
D657,777 S *	4/2012	Jursch	D14/215
D668,634 S *	10/2012	Suzuki	D14/215
D692,862 S *	11/2013	Tanaka	D14/214
D724,564 S *	3/2015	Davies	D14/215
D748,604 S *	2/2016	Hartmann	D14/214
D759,631 S *	6/2016	Espinosa	D14/215
D776,086 S *	1/2017	Baird	D14/214

(21) Appl. No.: **29/541,806**

(22) Filed: **Oct. 8, 2015**

* cited by examiner

(30) **Foreign Application Priority Data**

Apr. 9, 2015 (JP) 2015-008048

Primary Examiner — Keli L Hill

(51) **LOC (11) Cl.** **14-03**

(74) *Attorney, Agent, or Firm* — Drinker Biddle & Reath
LLP

(52) **U.S. Cl.**
USPC **D14/215**

(57) **CLAIM**

(58) **Field of Classification Search**

I claim the ornamental design for a speaker box, as shown
and described.

USPC D14/167, 168, 170–172, 188, 194–196,
D14/204, 207, 209.1, 210–216, 219, 221,
D14/222, 224, 239, 496; 181/143, 144,
181/147, 148, 150, 153, 157, 198, 199;
381/300–303, 306, 332, 333, 336, 345,
381/361–364, 386–388; 369/6–12

CPC B60R 11/0217; G06F 1/1688; G10K 9/22;
G10K 11/004; H03F 1/327; H04M 1/03;
H04M 1/035; H04N 5/642; H04N
21/4852; H04R 1/02; H04R 1/06; H04R
1/021; H04R 1/025; H04R 1/026; H04R
1/028; H04R 1/105; H04R 1/323; H04R
1/403; H04R 1/2803; H04R 1/2834;
H04R 5/02; H04R 7/20; H04R 9/06;
H04R 9/025; H04R 2201/021; H04R

DESCRIPTION

FIG. 1 is a front view of a speaker box, showing my new design.
FIG. 2 is a rear view thereof.
FIG. 3 is a left-side view thereof.
FIG. 4 is a right-side view thereof.
FIG. 5 is a top view thereof.
FIG. 6 is a bottom view thereof.
FIG. 7 is a cross-sectional view taken in the direction of line
7-7 of FIG. 2, without internal mechanism; and,
FIG. 8 is an enlarged sectional view taken at line 8-8 of FIG.
1.

1 Claim, 8 Drawing Sheets

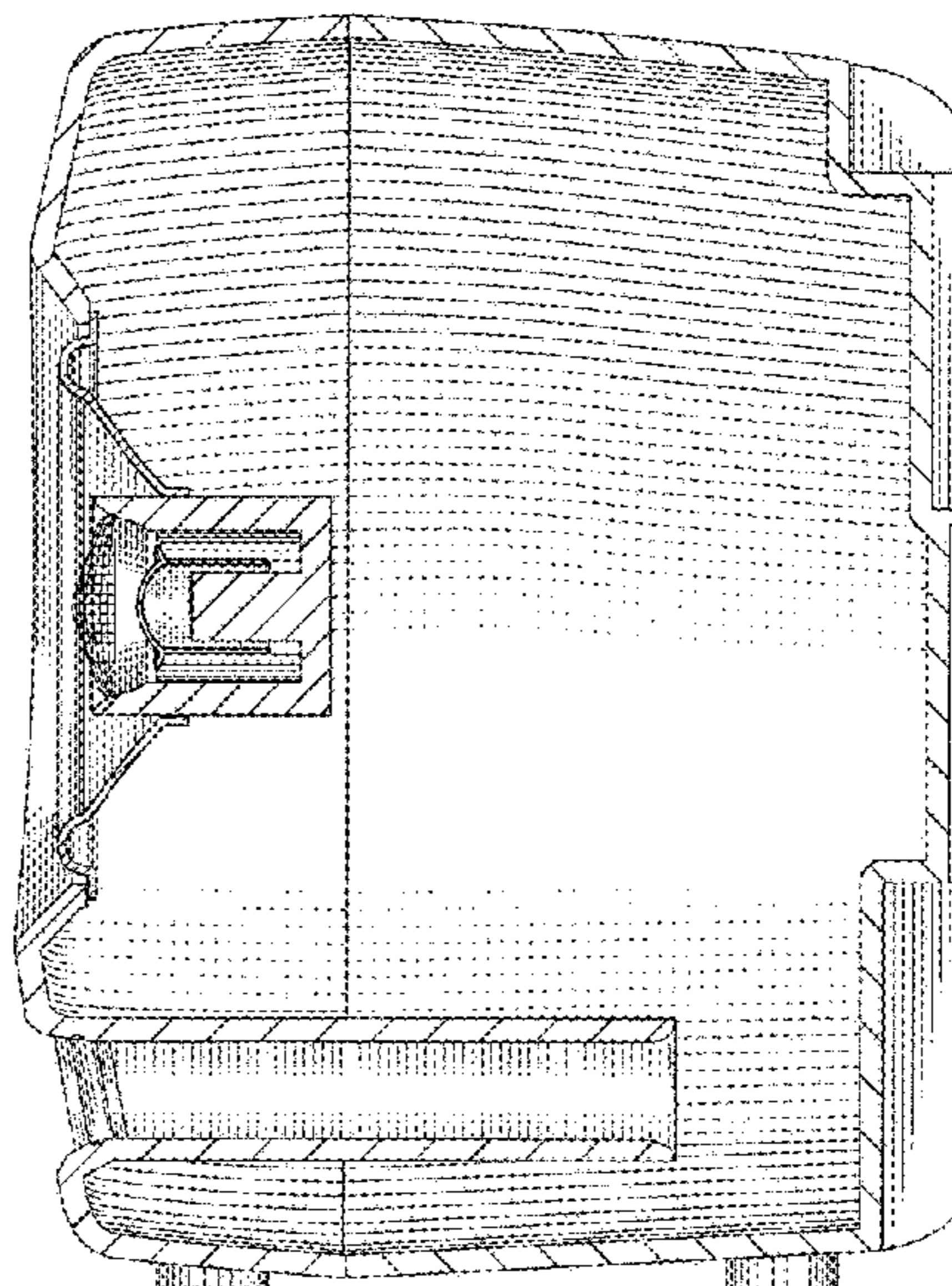
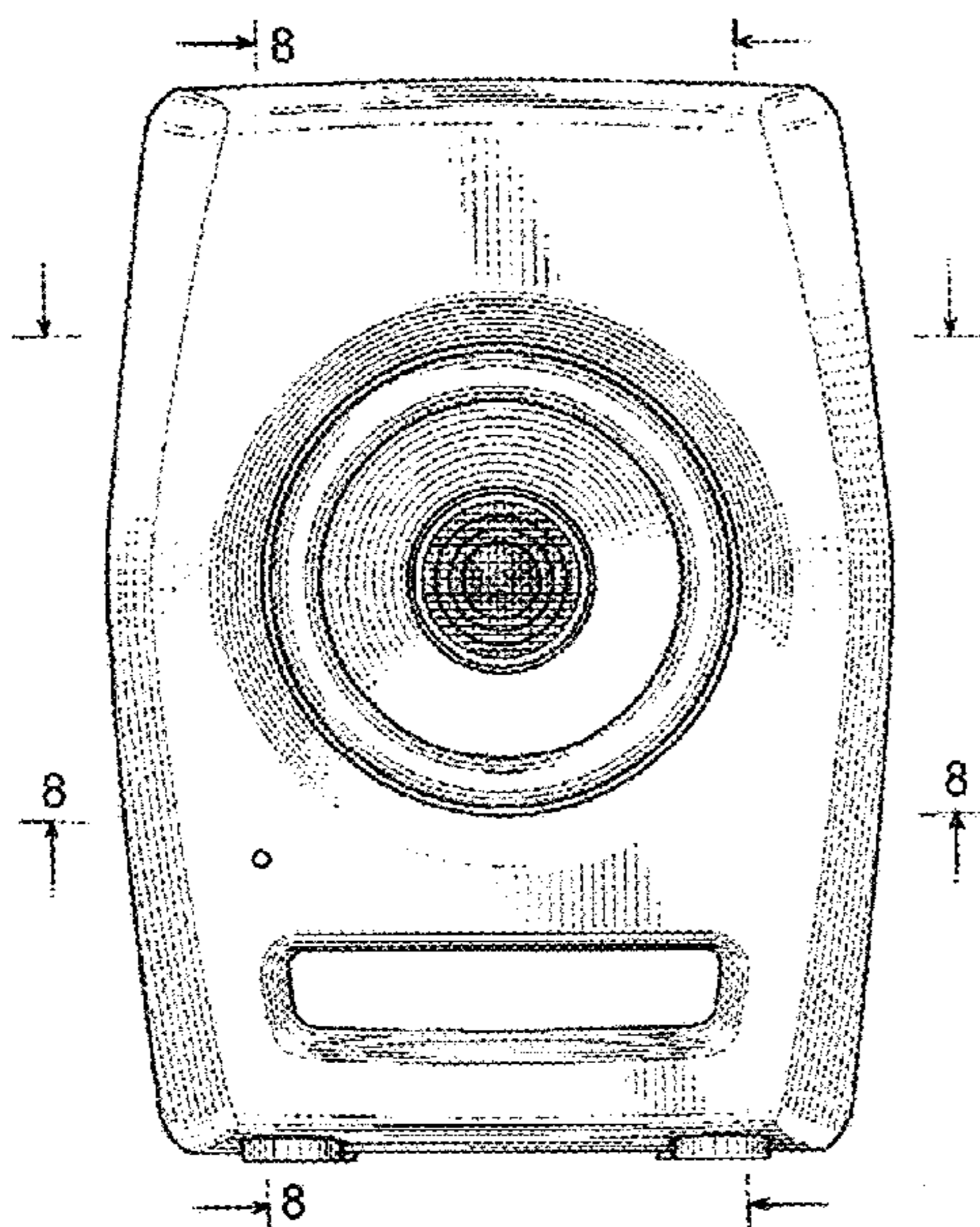
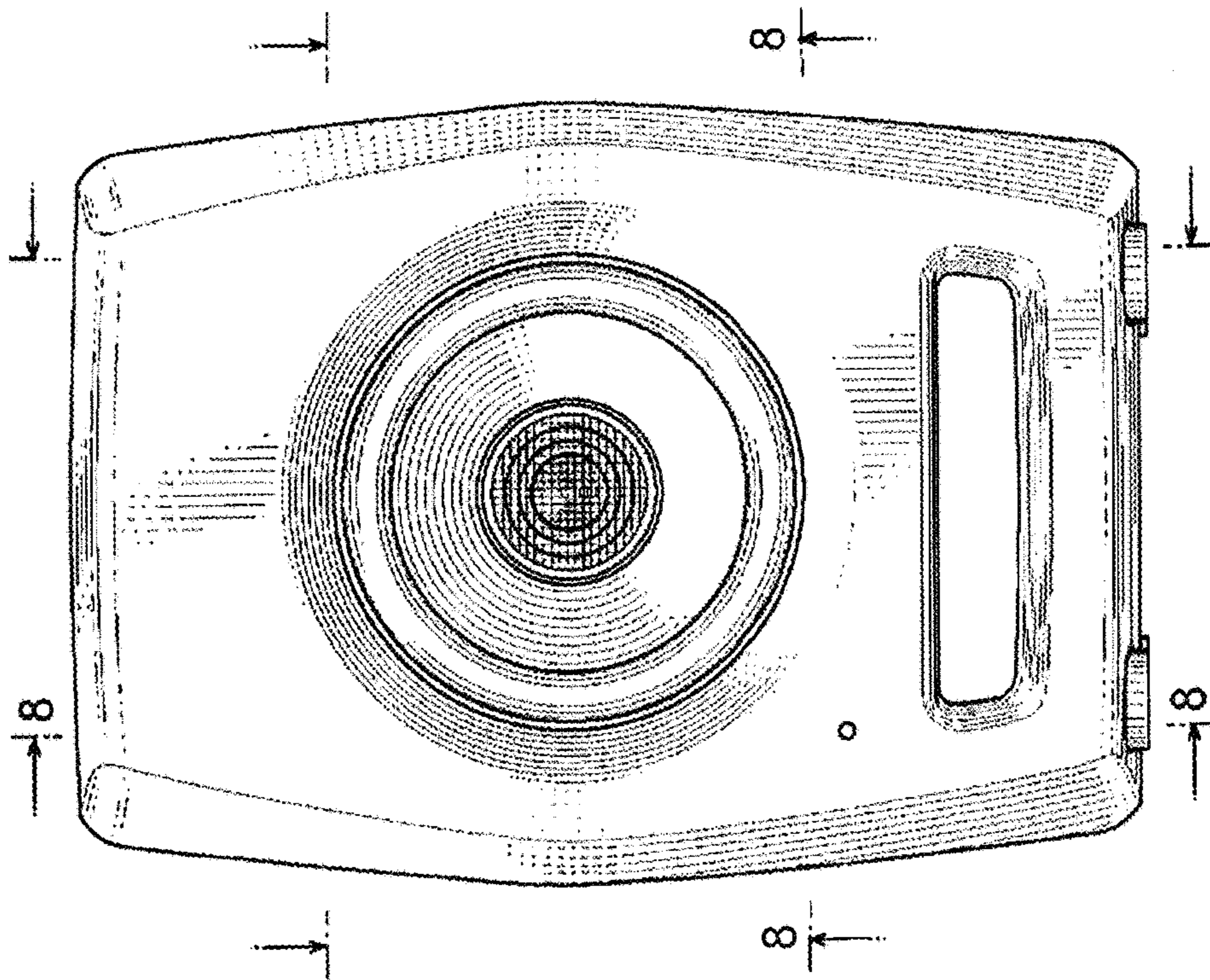


FIG. 1



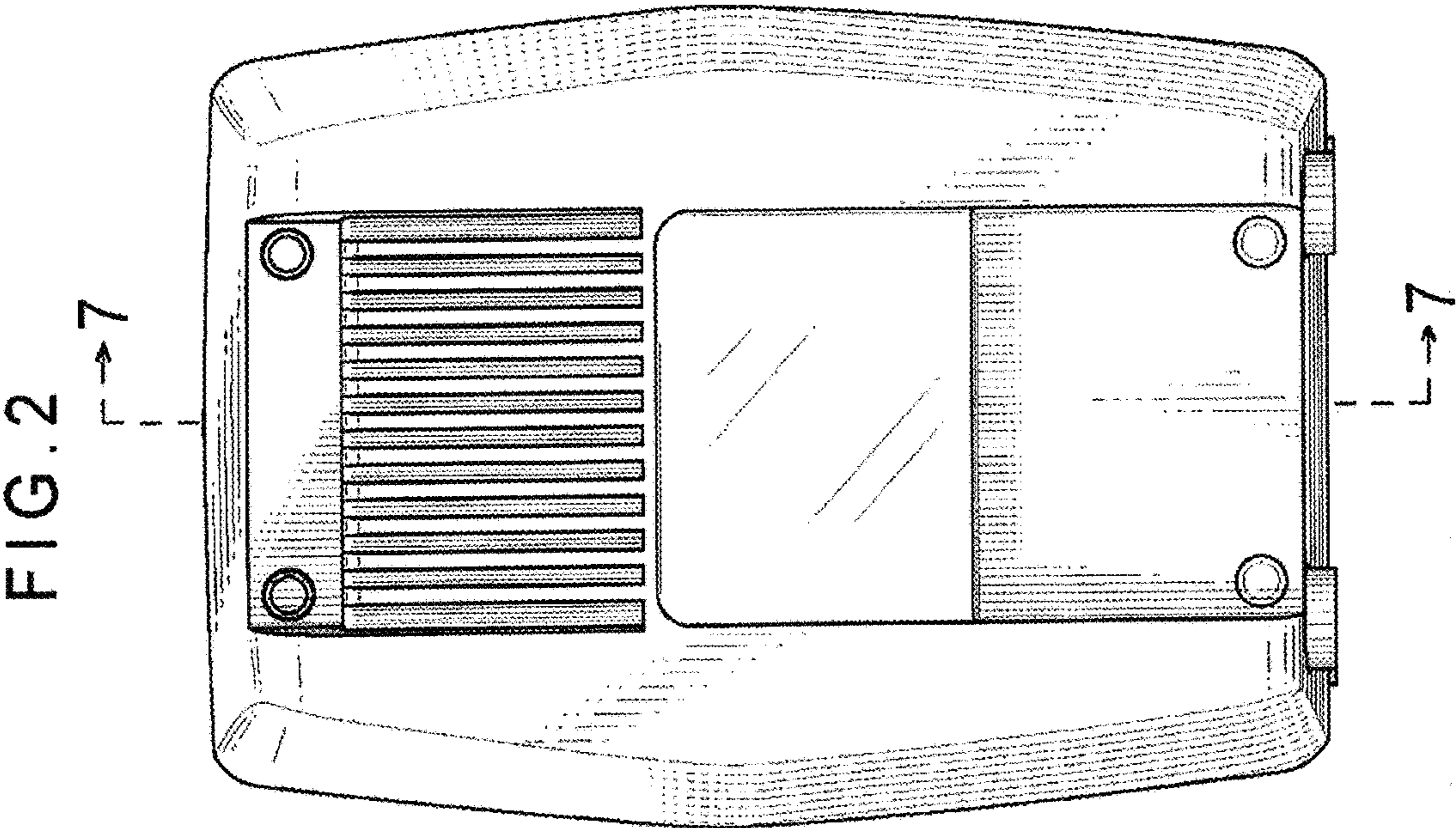


FIG. 3

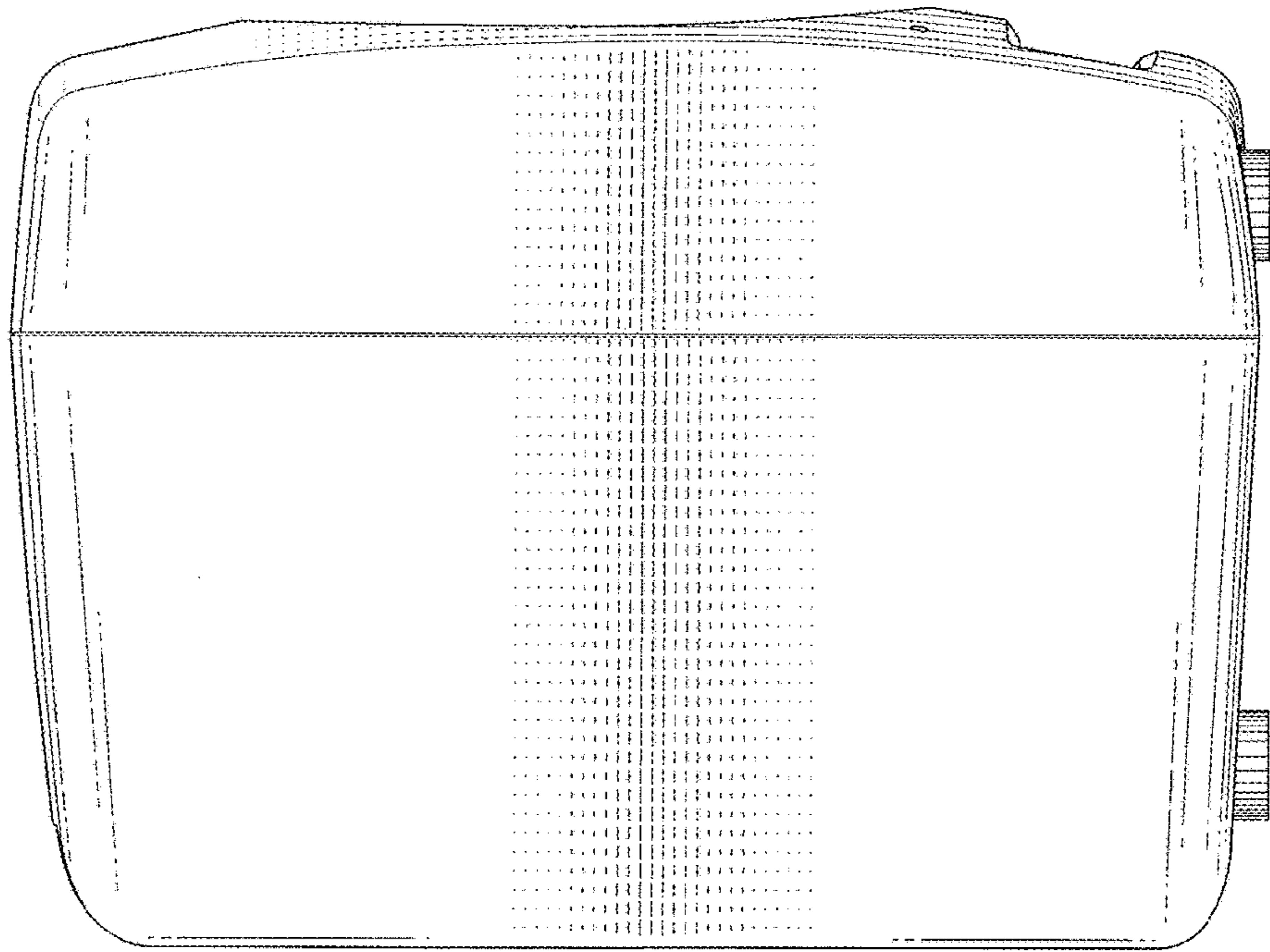


FIG. 4

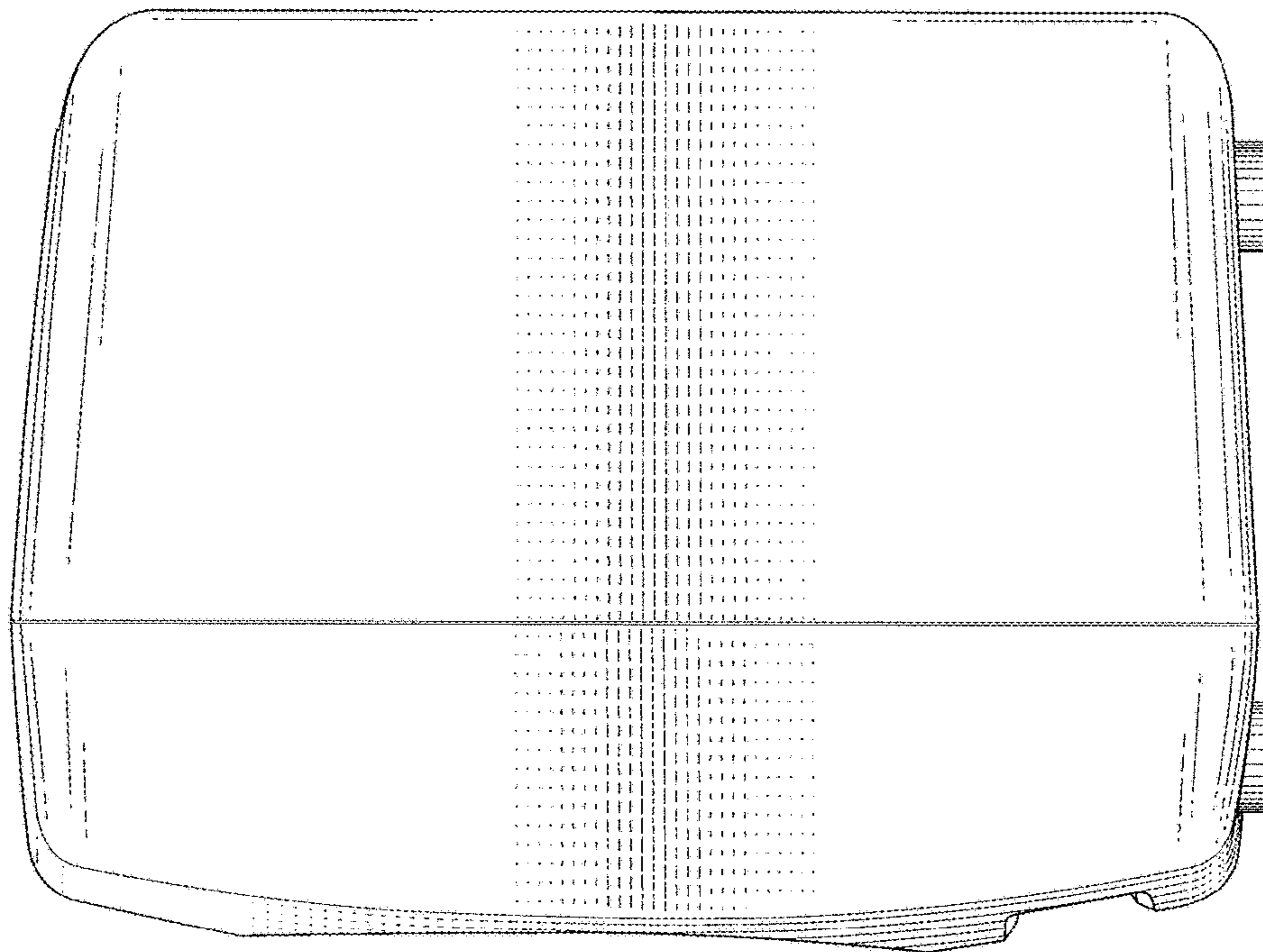


FIG. 5

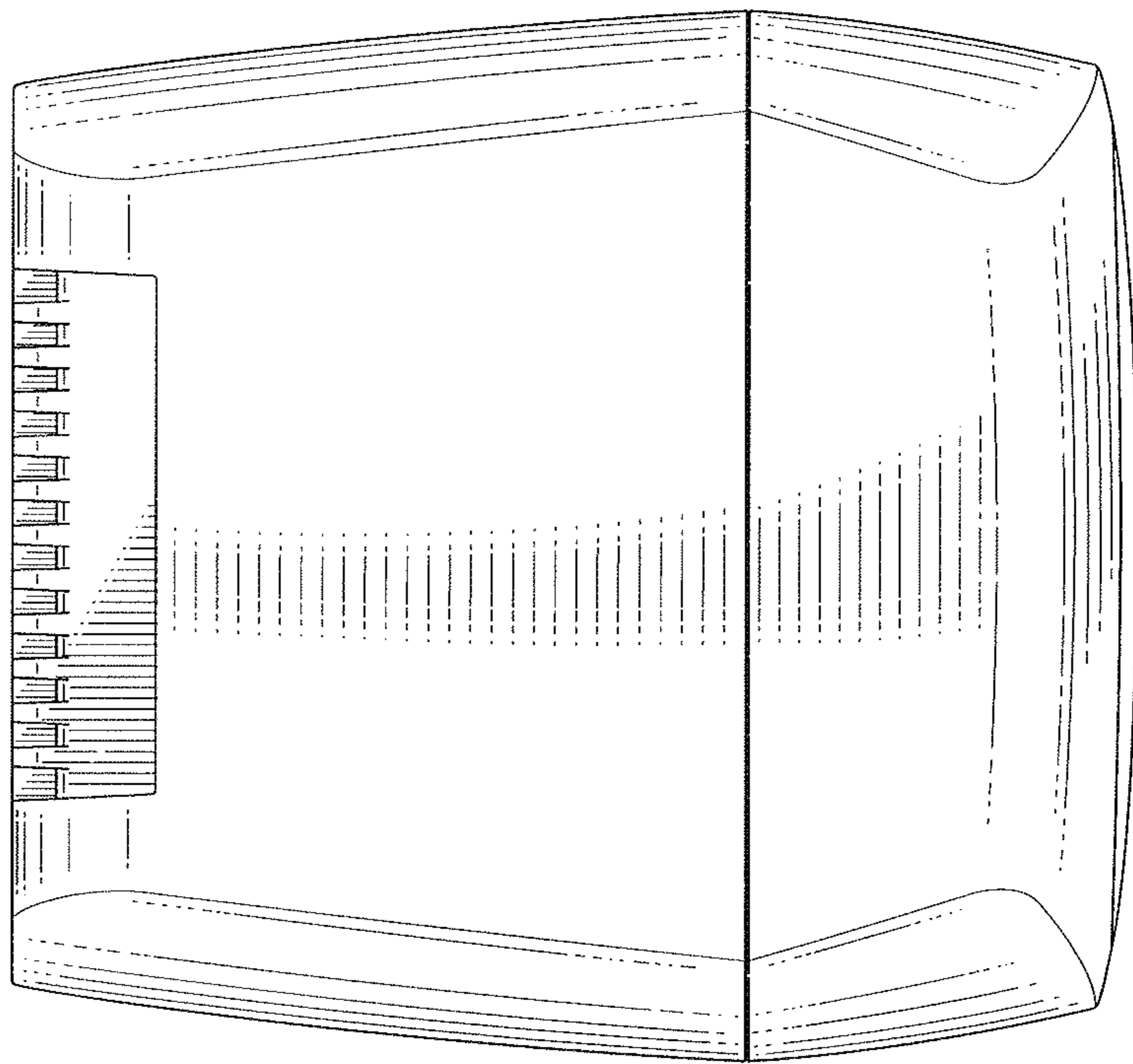


FIG. 6

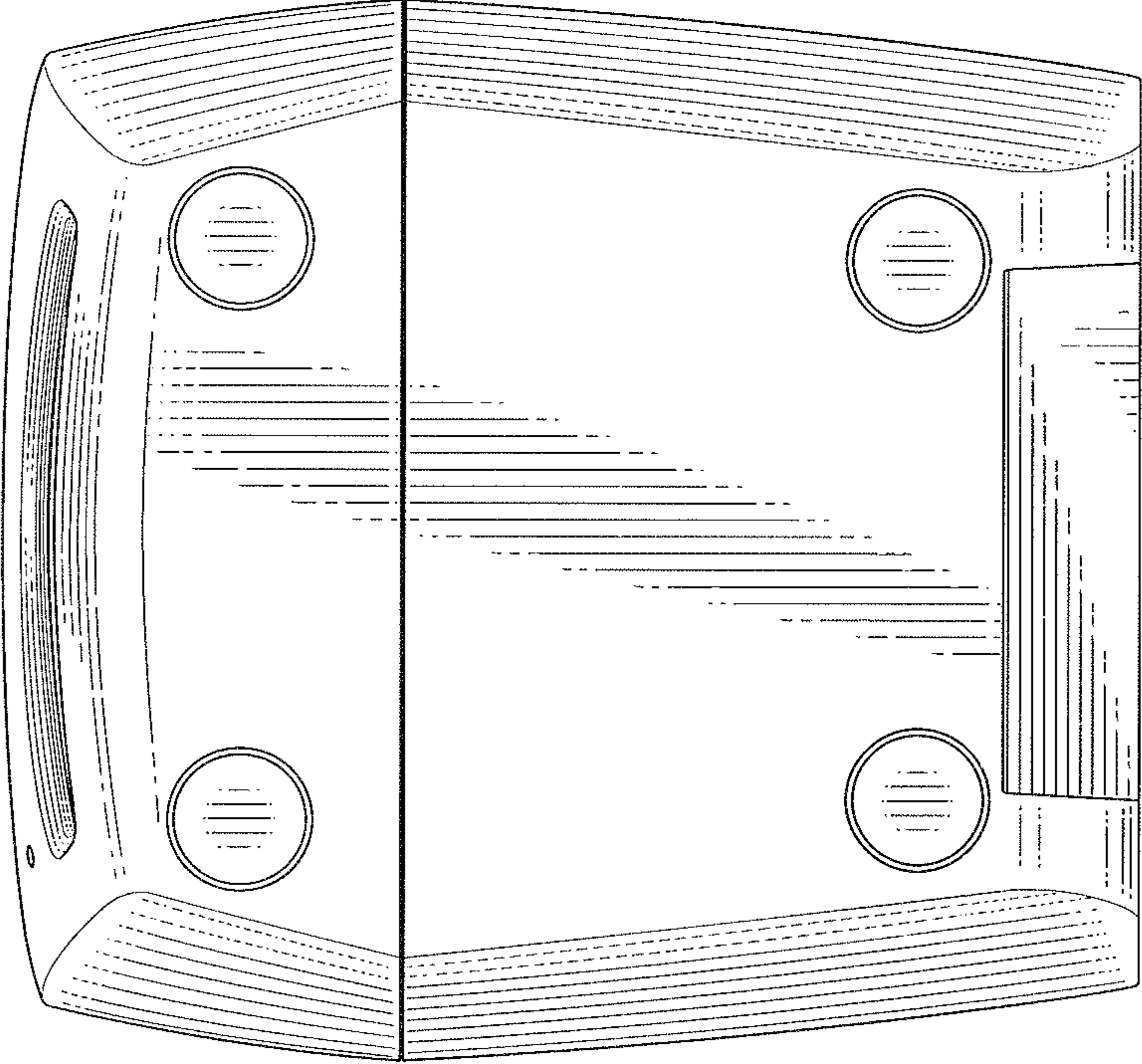


FIG. 7

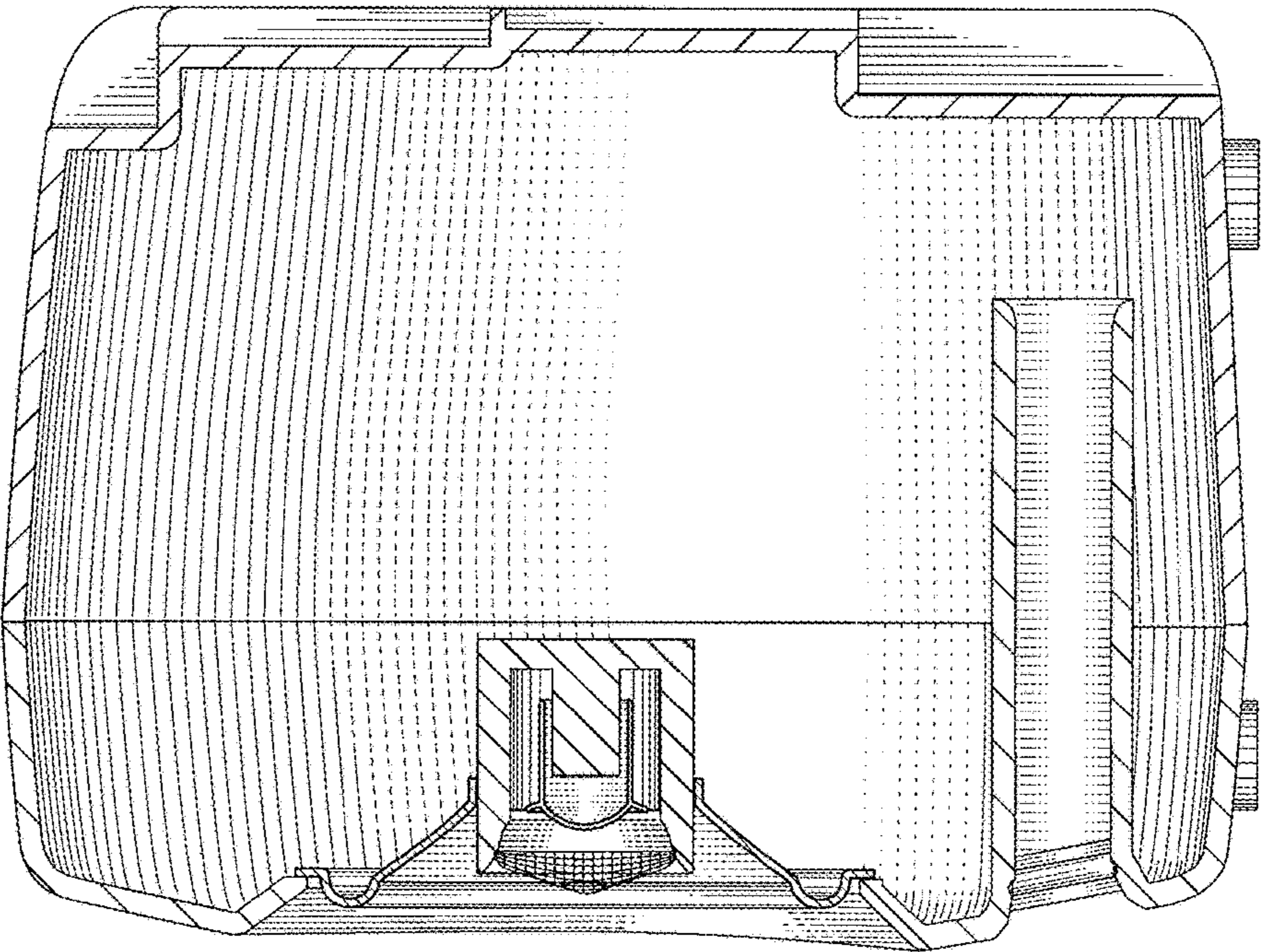


FIG. 8

