



US00D808918S

(12) **United States Design Patent**
Wei

(10) **Patent No.:** **US D808,918 S**
(45) **Date of Patent:** **** Jan. 30, 2018**

(54) **INTELLIGENT COMMUNICATION
TERMINAL**

(71) Applicant: **Jinshou Wei**, Shenzhen (CN)
(72) Inventor: **Jinshou Wei**, Shenzhen (CN)
(**) Term: **15 Years**
(21) Appl. No.: **29/569,433**

(22) Filed: **Jun. 27, 2016**

(30) **Foreign Application Priority Data**

Dec. 30, 2015 (CN) 2015 3 0572745

(51) **LOC (11) Cl.** **14-03**

(52) **U.S. Cl.**
USPC **D14/138 G; D14/341**

(58) **Field of Classification Search**
USPC D14/138 G, 138 AD, 341, 138 R, 496,
D14/203.1, 203.3, 203.5, 203.7, 248;
455/575.1, 556.2; D21/517, 329;
361/679.3, 679.56
CPC . G06F 1/1626; H04M 1/0266; H04M 1/0264;
H04M 1/0202

See application file for complete search history.

(56) **References Cited**

U.S. PATENT DOCUMENTS

D602,892 S * 10/2009 Devenish, III D14/137
D608,322 S * 1/2010 Kim D14/138 G
D650,766 S * 12/2011 Hong D14/138 G
D685,754 S * 7/2013 Palmer D14/138 G
D687,004 S * 7/2013 Behling D14/138 G
D701,203 S * 3/2014 Katori D14/341
D707,644 S * 6/2014 Asano D14/138 G
D716,249 S * 10/2014 Zhang D14/138 G
D717,781 S * 11/2014 Kim D14/250
D743,392 S * 11/2015 Ju D14/341
9,317,066 B2 * 4/2016 Mochizuki G06F 1/1626

(Continued)

OTHER PUBLICATIONS

Jesy J7 Outdoor 4G Rugged Cellphone Ip68 Waterproof Dustproof Shockproof 3GB RAM Android 5.1 MTK6753 Octa Core Unlocked smartphone Support NFC(Walkie Talkie Version)-Red, by Jesy, amazon.co.uk, first posted, [online], [site visited Sep. 30, 2017]. Available from Internet, <URL: https://www.amazon.co.uk/JESY-Cellphone-Waterproof-Shockproof-smartphone/d.*

(Continued)

Primary Examiner — Jeffrey D Asch

(74) *Attorney, Agent, or Firm* — Hemisphere Law, PLLC

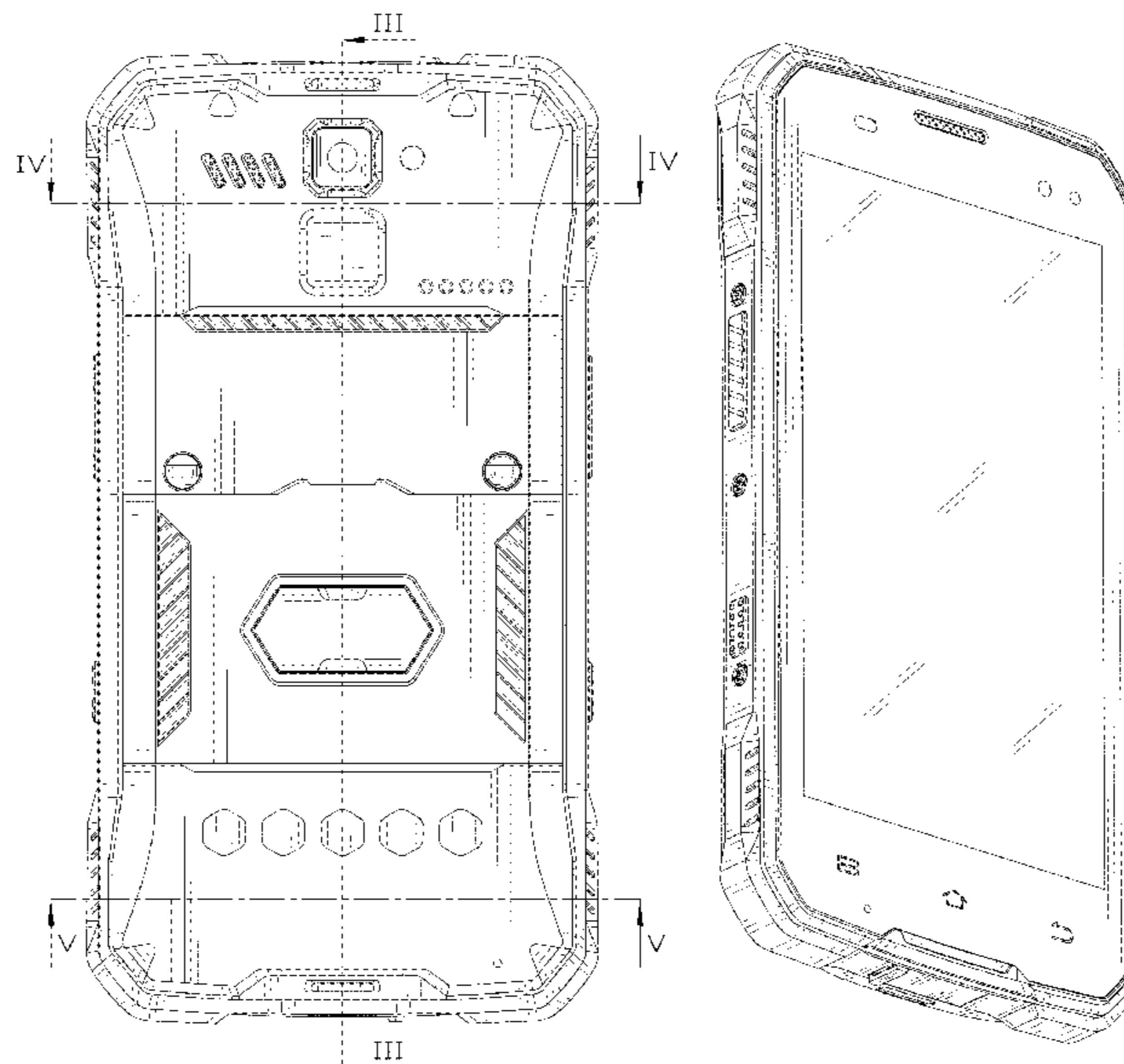
(57) **CLAIM**

I claim the ornamental design for an intelligent communication terminal, as shown and described.

DESCRIPTION

FIG. 1 is a front elevational view of an intelligent communication terminal showing my new design;
FIG. 2 is a rear elevational view thereof;
FIG. 3 is cross-section view along line III-III of FIG. 2, showing the contours of the cross-section view;
FIG. 4 is cross-section view along line IV-IV of FIG. 2, showing the contours of the cross-section view;
FIG. 5 is cross-section view along line V-V of FIG. 2, showing the contours of the cross-section view;
FIG. 6 is a left side elevational view thereof;
FIG. 7 is a right side elevational view thereof;
FIG. 8 is a top plan view thereof;
FIG. 9 is a bottom plan view thereof;
FIG. 10 is a perspective view thereof; and,
FIG. 11 is a perspective view of the intelligent communication terminal with a fastener clipped on, wherein the fastener is equipped with an antenna.
The broken lines illustrate portions of the intelligent communication terminal that form no part of the claim design.

1 Claim, 11 Drawing Sheets



(56)

References Cited

U.S. PATENT DOCUMENTS

D766,885	S *	9/2016	Armstrong	D14/250
D775,596	S *	1/2017	Guo	D14/138 G
D779,453	S *	2/2017	Daniel	D14/138 G
D780,148	S *	2/2017	Nagao	D14/138 G
D785,612	S *	5/2017	Kim	D14/248
D787,464	S *	5/2017	Kim	D14/138 G
D788,058	S *	5/2017	Astheimer	D14/138 G
D788,735	S *	6/2017	Daniel	D14/138 G
D788,736	S *	6/2017	Kim	D14/138 G
D789,315	S *	6/2017	Astheimer	D14/138 G
D793,389	S *	8/2017	Kim	D14/341
D797,695	S *	9/2017	Yoshihara	D14/138 G
2016/0299536	A1 *	10/2016	Mori	H04R 1/342
2017/0104854	A1 *	4/2017	Park	A45F 5/00

OTHER PUBLICATIONS

Archos 50 Saphir, released Jun. 2017, [online], [site visited Aug. 16, 2017]. Available from Internet, <URL: http://www.gsmarena.com/archos_50_saphir-pictures-8592.php>.*

Blu Tank Xtreme Pro, released Jul. 2017, [online], [site visited Aug. 16, 2017]. Available from Internet, <URL: http://www.gsmarena.com/blu_tank_xtreme_pro-pictures-8736.php>.*

Blu Tank Xtreme 5.0, released Jan. 2017, [online], [site visited Aug. 16, 2017]. Available from Internet, <URL: http://www.gsmarena.com/blu_tank_xtreme_5_0-pictures-8524.php>.*

Cat B15 Q, released Jun. 2014, [online], [site visited Aug. 16, 2017]. Available from Internet, <URL: http://www.gsmarena.com/cat_b15_q-pictures-6698.php>.*

Energizer Energy 400, released Jun. 2015, [online], [site visited Aug. 16, 2017]. Available from Internet, <URL: http://www.gsmarena.com/energizer_energy_400-pictures-7722.php>.*

Blu Tank Xtreme 4.0, released Jan. 2017, [online], [site visited Aug. 16, 2017]. Available from Internet, <URL: http://www.gsmarena.com/blu_tank_xtreme_4_0-pictures-8525.php>.*

Samasung Galaxy S5 Active, released May 2014, [online], [site visited Aug. 16, 2017]. Available from Internet, <URL: http://www.gsmarena.com/blu_tank_xtreme_4_0-pictures-8525.php>.*

* cited by examiner

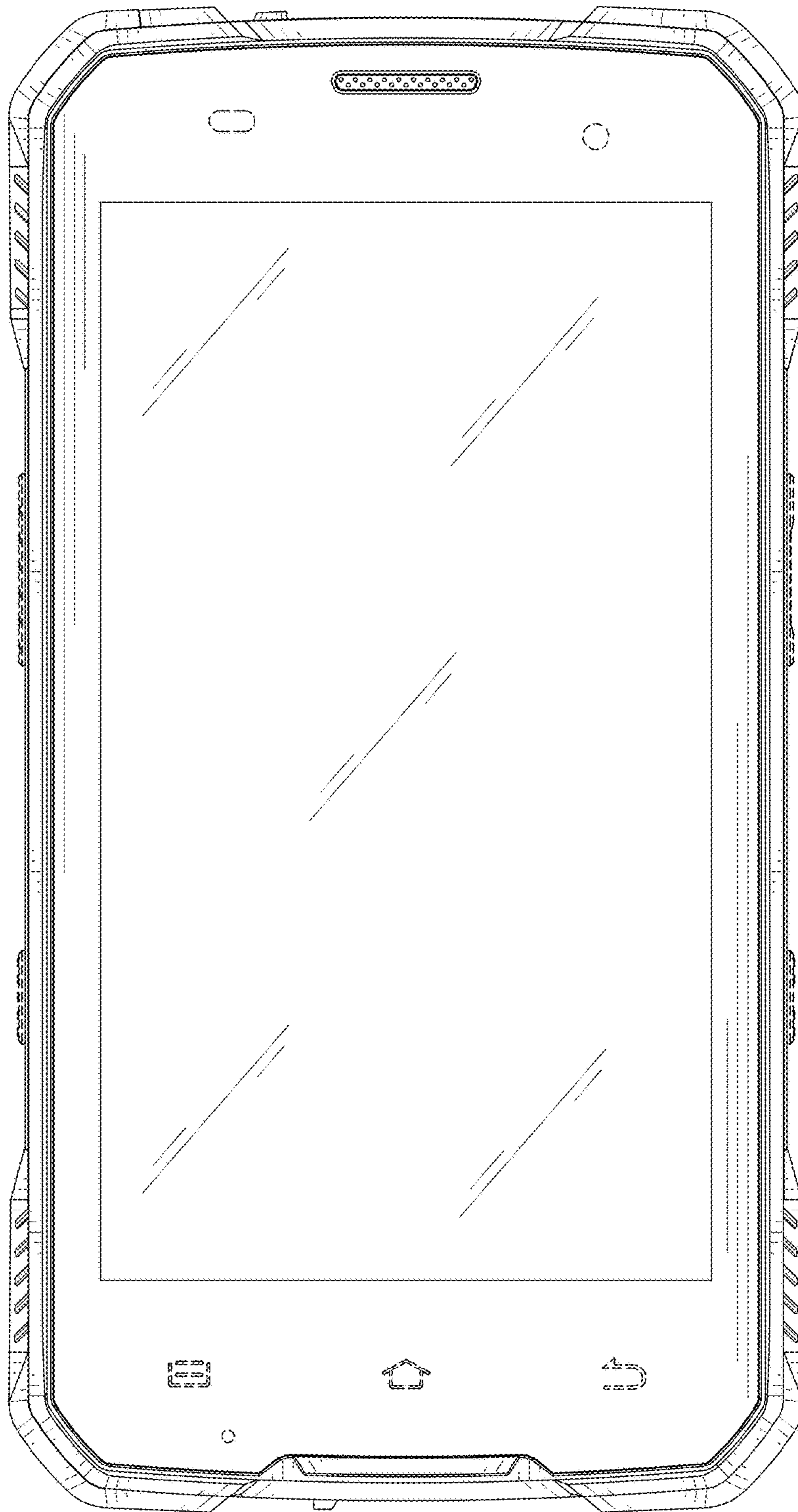


FIG. 1

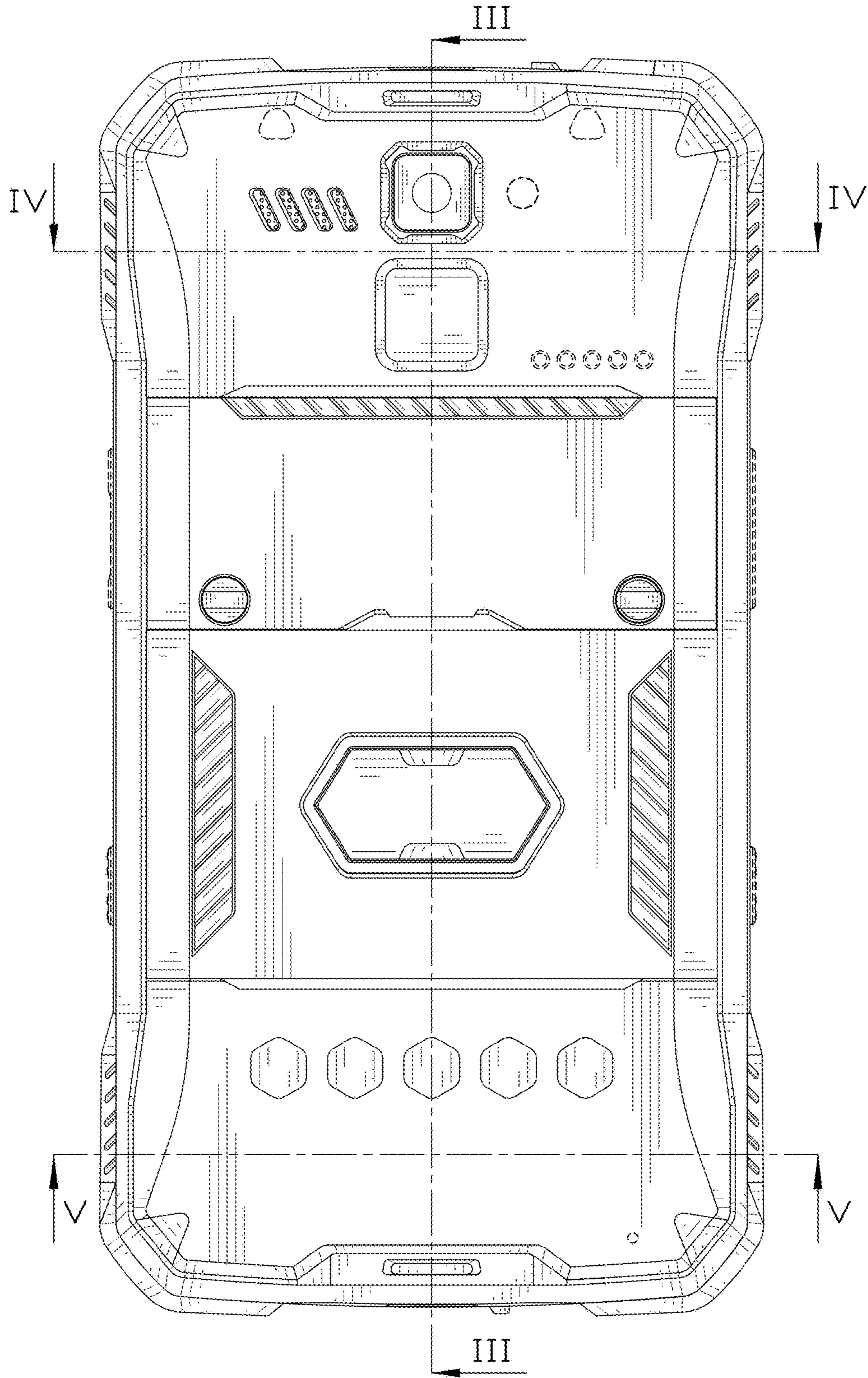


FIG. 2

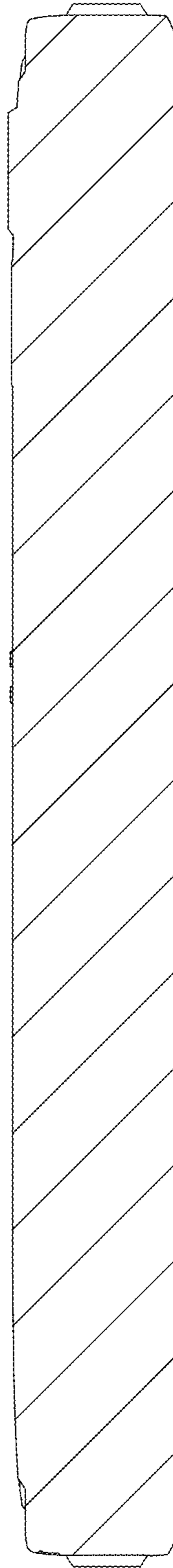


FIG. 3

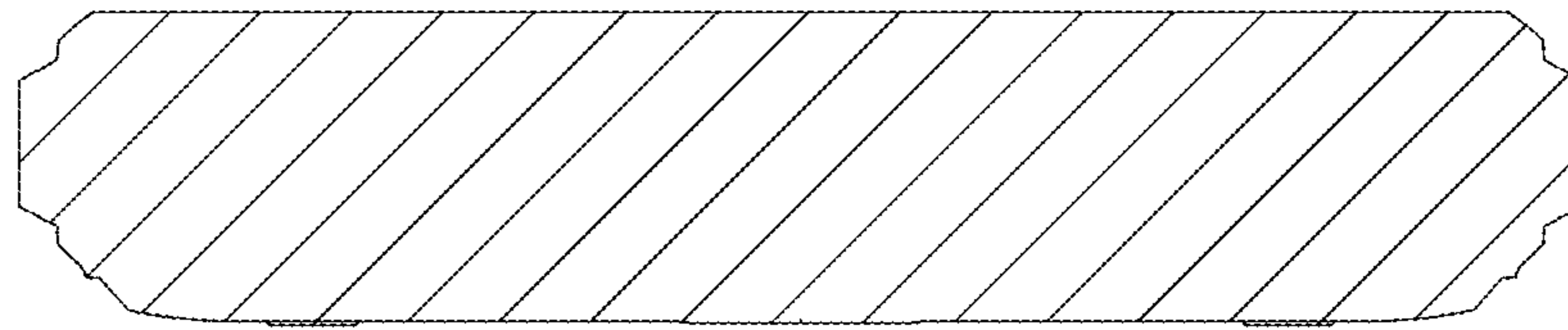


FIG. 4

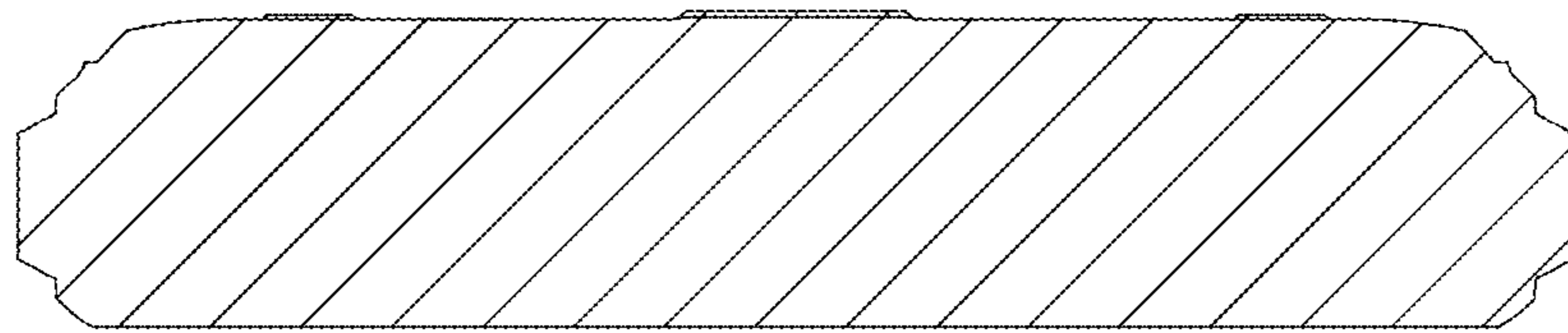


FIG. 5

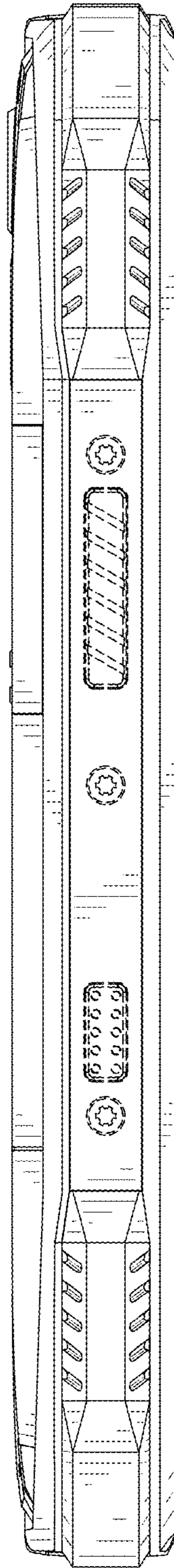


FIG. 6

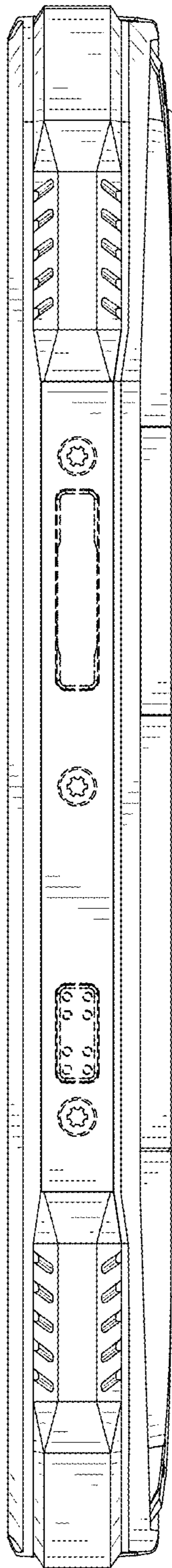


FIG. 7

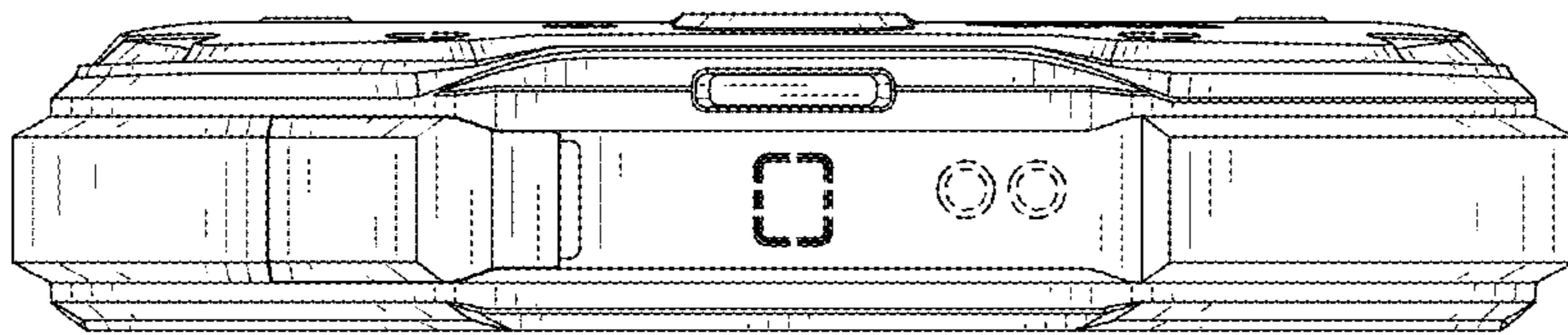


FIG. 8

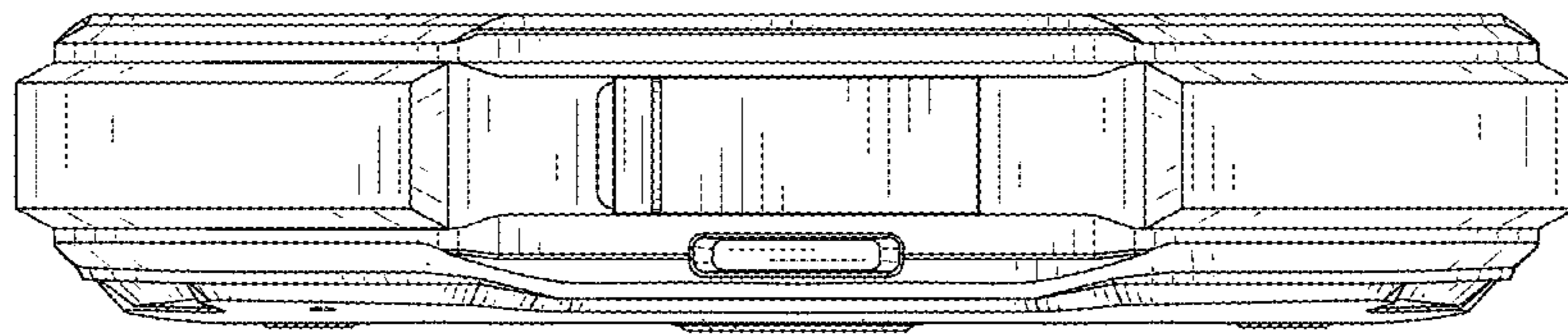


FIG. 9

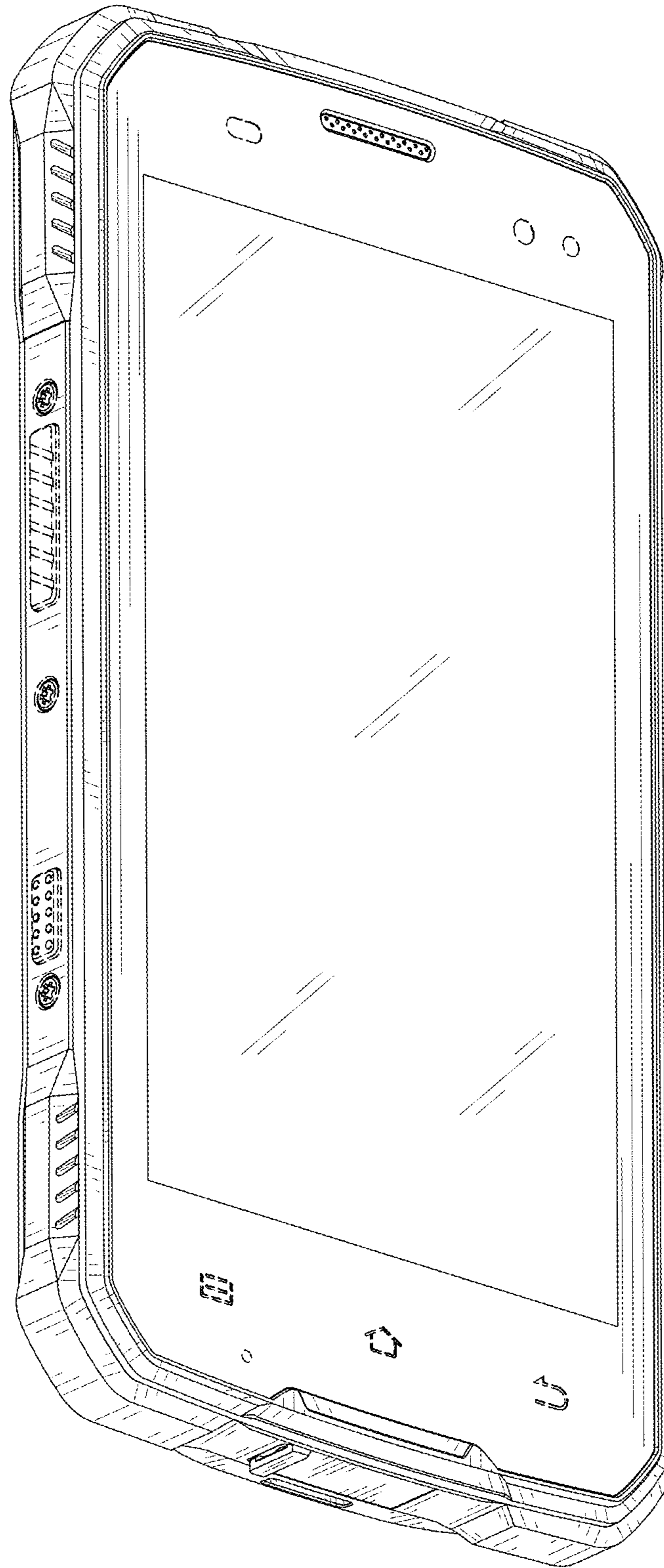


FIG. 10

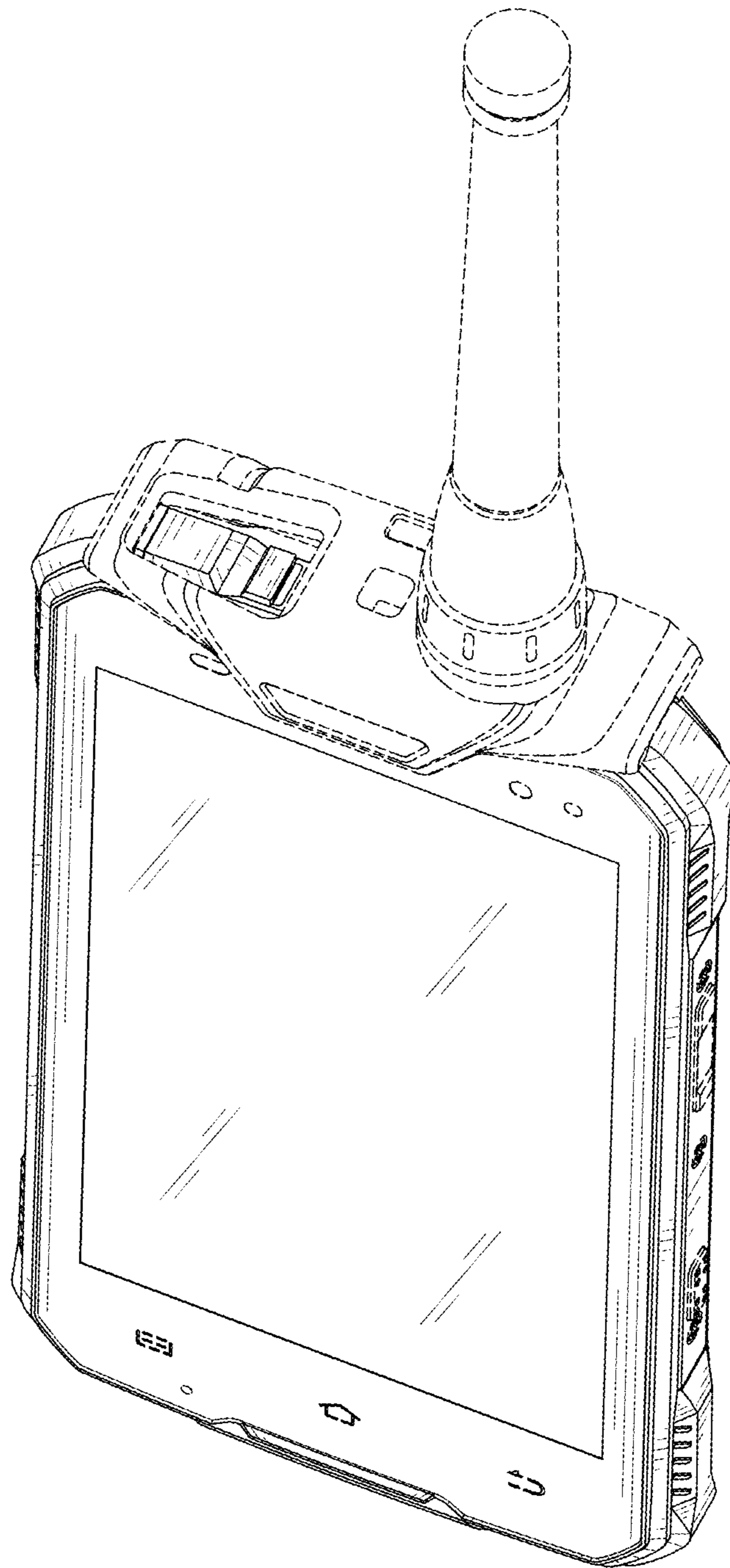


FIG. 11