



US00D808915S

(12) **United States Design Patent**  
**Wang**

(10) **Patent No.:** **US D808,915 S**

(45) **Date of Patent:** **\*\* Jan. 30, 2018**

(54) **SET-TOP BOX**

(71) Applicant: **Kui Wang**, Shenzhen (CN)

(72) Inventor: **Kui Wang**, Shenzhen (CN)

(\*\*) Term: **15 Years**

(21) Appl. No.: **29/585,748**

(22) Filed: **Nov. 29, 2016**

(51) **LOC (11) Cl.** ..... **14-03**

(52) **U.S. Cl.**  
USPC ..... **D14/125**

(58) **Field of Classification Search**  
USPC ..... D14/125, 357-358, 496, 188, 242, 432;  
D13/184; 348/10, 460, 706, 731;  
340/825.03; 455/6.1, 6.2; 312/223.1, 7.2  
CPC ..... H04N 7/00  
See application file for complete search history.

(56) **References Cited**

**U.S. PATENT DOCUMENTS**

D639,254 S \* 6/2011 Giovannoni ..... D14/125

D648,722 S \* 11/2011 Meyerhoffer ..... D14/341  
D666,563 S \* 9/2012 Lee ..... D14/125  
D740,771 S \* 10/2015 Daniel ..... D14/125

\* cited by examiner

*Primary Examiner* — Randall Gholson

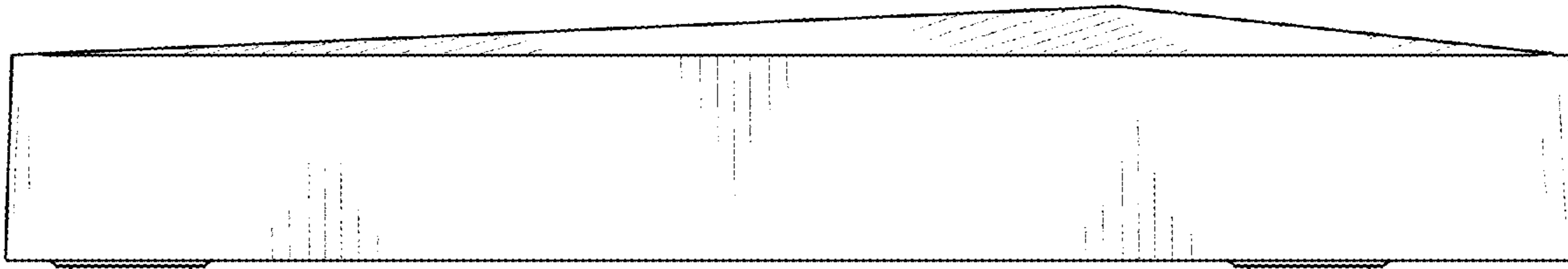
(57) **CLAIM**

The ornamental design for a set-top box, as shown.

**DESCRIPTION**

FIG. 1 is a front elevational view of a set-top box showing my new design;  
FIG. 2 is a rear elevational view thereof;  
FIG. 3 is a left side elevational view thereof;  
FIG. 4 is a right side elevational view thereof;  
FIG. 5 is a top plan view thereof;  
FIG. 6 is a bottom plan view thereof; and,  
FIG. 7 is a front perspective view thereof.  
The claimed set-top box is used to connect television and internet.

**1 Claim, 7 Drawing Sheets**



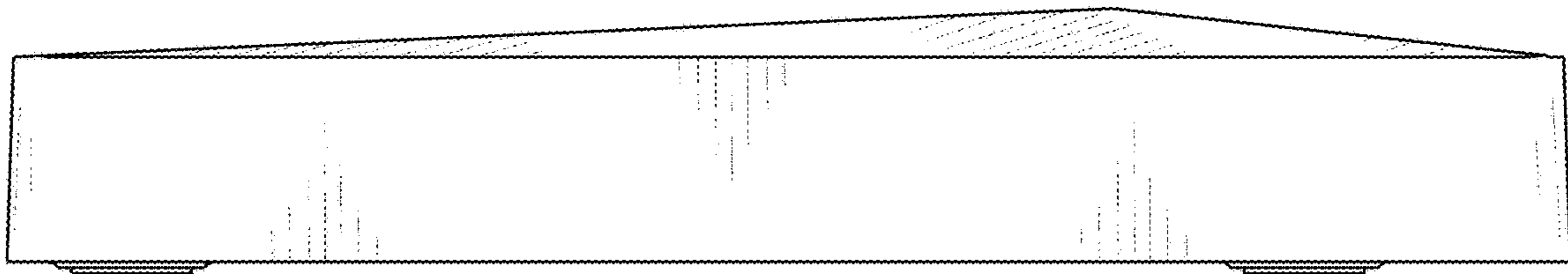


FIG. 1

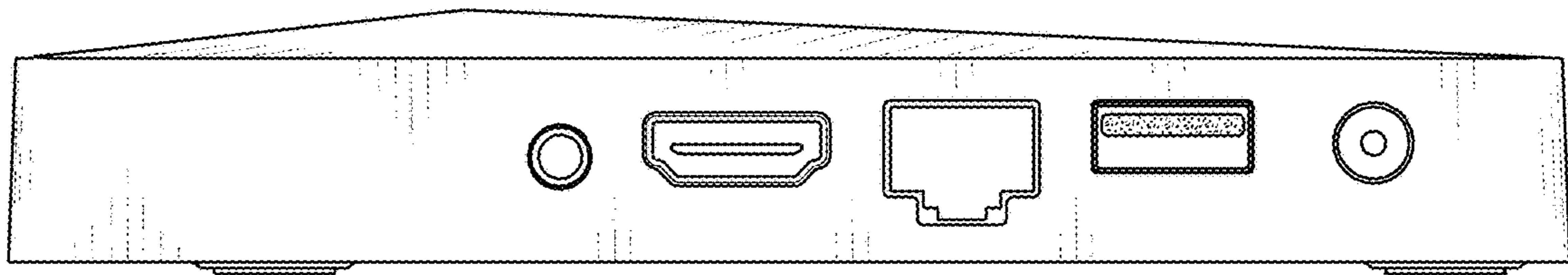


FIG.2

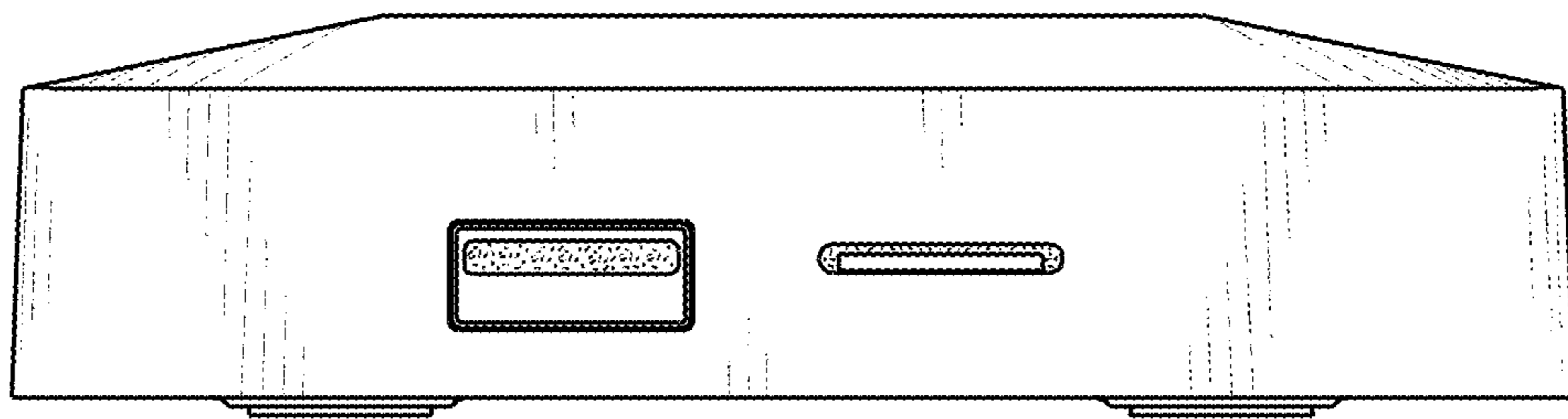


FIG.3

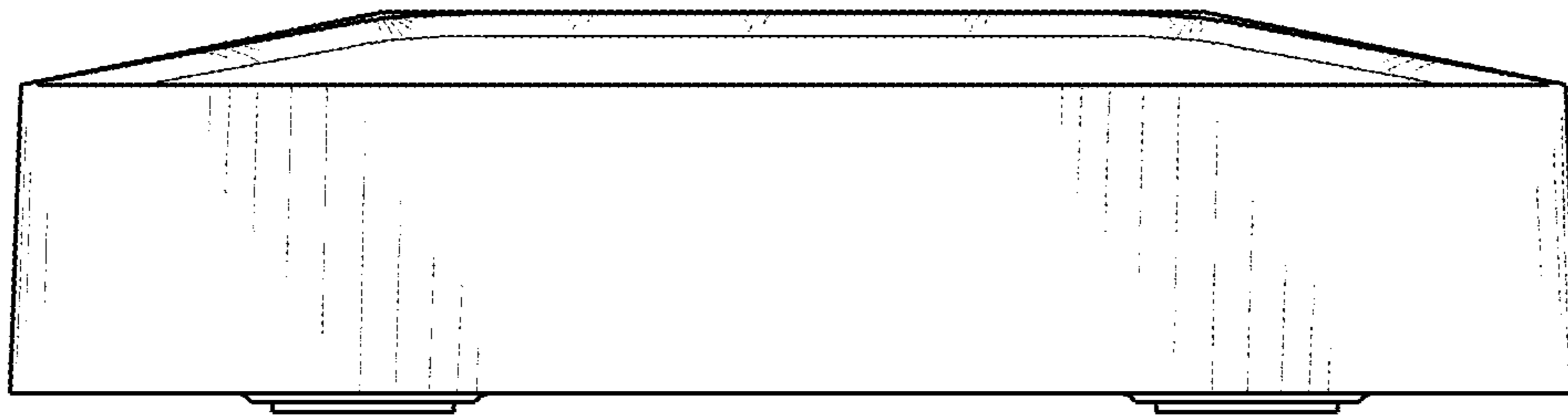


FIG.4

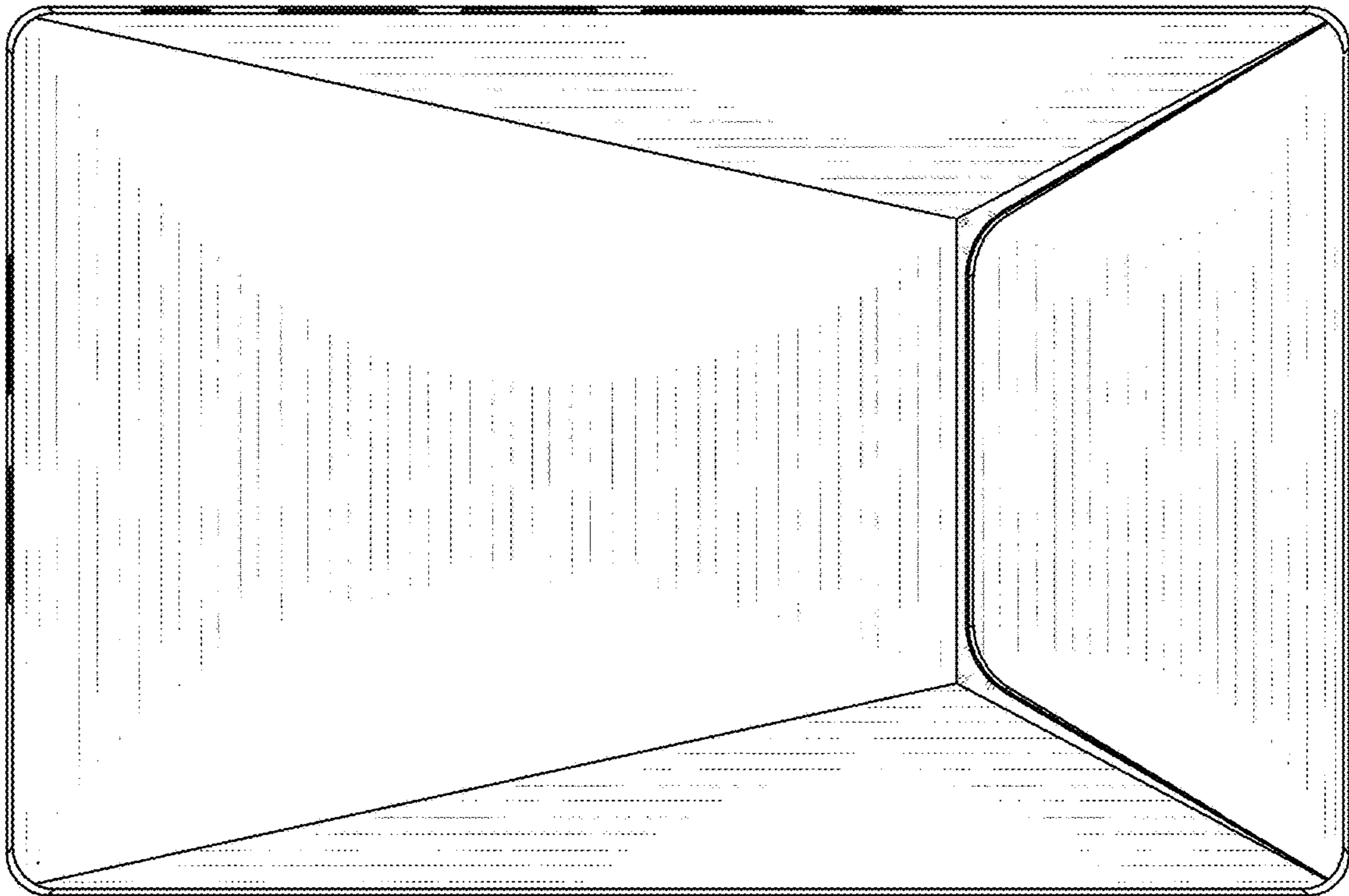


FIG.5

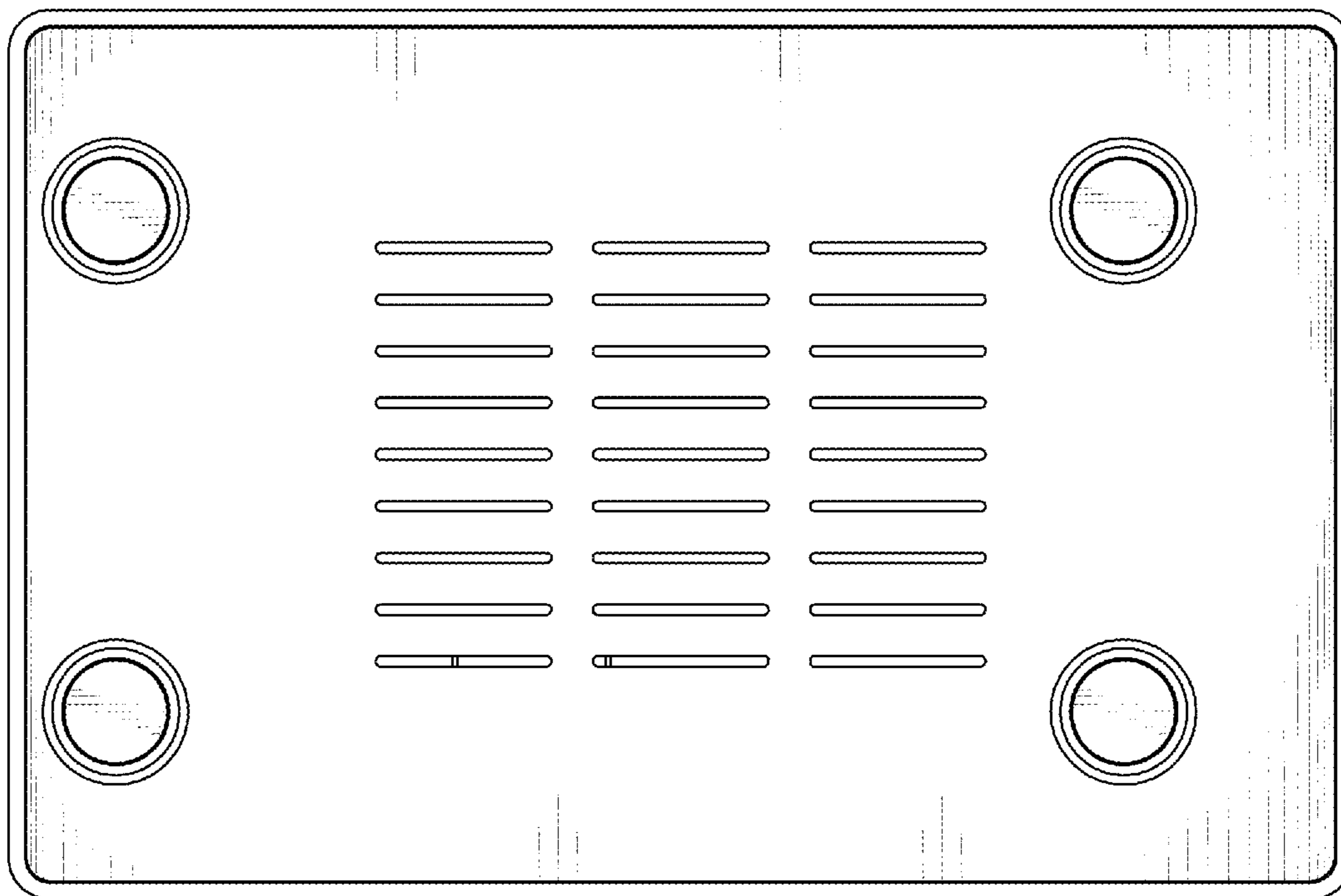


FIG.6

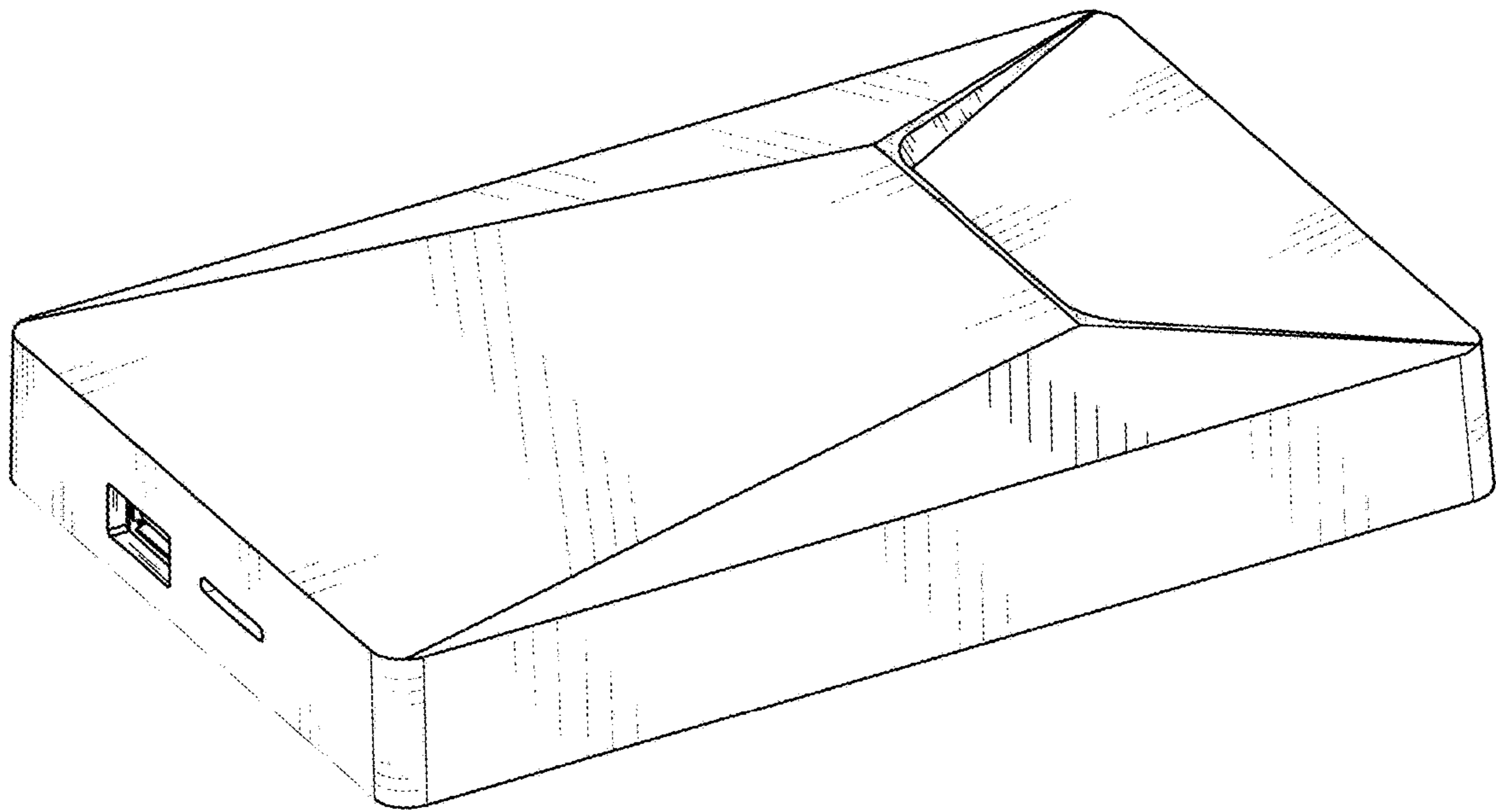


FIG.7