



US00D808914S

(12) **United States Design Patent**
Ochiai et al.

(10) **Patent No.:** **US D808,914 S**
(45) **Date of Patent:** **** Jan. 30, 2018**

(54) **LIGHT-EMITTING DIODE**

(71) Applicants: **CITIZEN ELECTRONICS CO., LTD.**, Yamanashi-ken (JP); **CITIZEN WATCH CO., LTD.**, Tokyo (JP)

(72) Inventors: **Yuki Ochiai**, Yamanashi-ken (JP); **Yuki Nishikawa**, Shiga-ken (JP)

(73) Assignees: **CITIZEN ELECTRONICS CO., LTD.**, Yamanashi-Ken (JP); **CITIZEN WATCH CO., LTD.**, Tokyo (JP)

(**) Term: **15 Years**

(21) Appl. No.: **29/602,761**

(22) Filed: **May 3, 2017**

Related U.S. Application Data

(62) Division of application No. 29/561,823, filed on Apr. 20, 2016, now Pat. No. Des. 789,308.

(30) **Foreign Application Priority Data**

Oct. 23, 2015 (JP) 2015-023530
Oct. 23, 2015 (JP) 2015-023540

(Continued)

(51) **LOC (11) Cl.** **13-03**

(52) **U.S. Cl.**
USPC **D13/180**

(58) **Field of Classification Search**
USPC D13/180; D26/1

(Continued)

(56) **References Cited**

U.S. PATENT DOCUMENTS

D618,635 S 6/2010 Imai
D658,603 S 5/2012 Egawa

(Continued)

FOREIGN PATENT DOCUMENTS

EP 002551812-0001 10/2014
EP 002551812-0002 10/2014

(Continued)

OTHER PUBLICATIONS

Design U.S. Appl. No. 29/504,427, filed Oct. 6, 2014.
Design U.S. Appl. No. 29/504,423, filed Oct. 6, 2014.

Primary Examiner — Selina Sikder

(74) *Attorney, Agent, or Firm* — Wenderoth, Lind & Ponack, L.L.P.

(57) **CLAIM**

The ornamental design for a light-emitting diode, as shown and described.

DESCRIPTION

FIG. 1 is a top perspective view of a first embodiment of a light-emitting diode showing an upper surface with front and left side surfaces;

FIG. 2 is a bottom perspective view thereof showing a bottom surface with rear and right side surfaces;

FIG. 3 is a front view thereof, a rear view being a mirror image of Figure;

FIG. 4 is a top plan view thereof;

FIG. 5 is a bottom plan view thereof;

FIG. 6 is a left side view thereof;

FIG. 7 is a right side view thereof;

FIG. 8 is a top perspective view of a second embodiment of a light-emitting diode showing an upper surface with front and left side surfaces;

FIG. 9 is a bottom perspective view thereof showing a bottom surface with rear and right side surfaces;

FIG. 10 is a front view thereof, a rear view being a mirror image of FIG. 10;

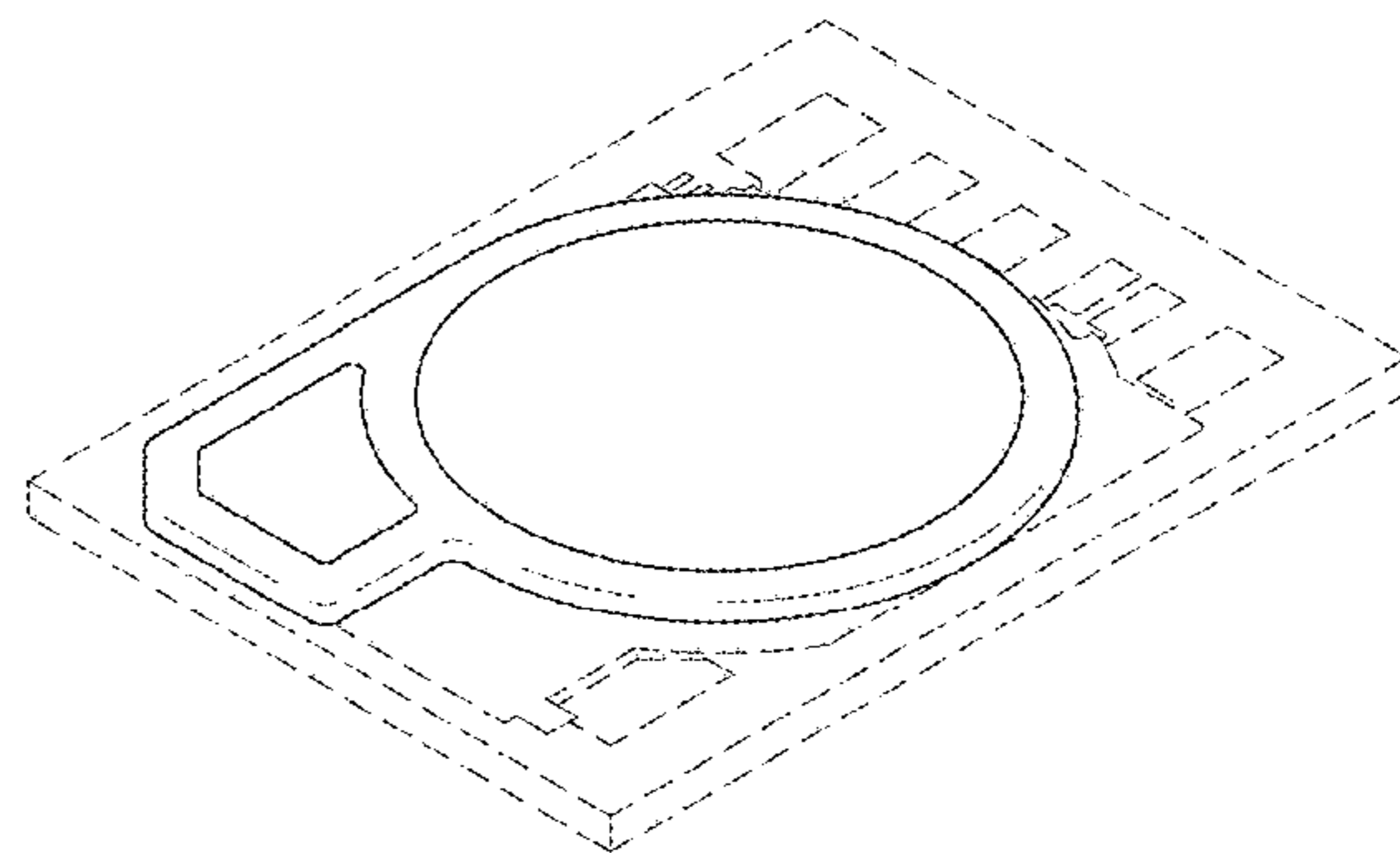
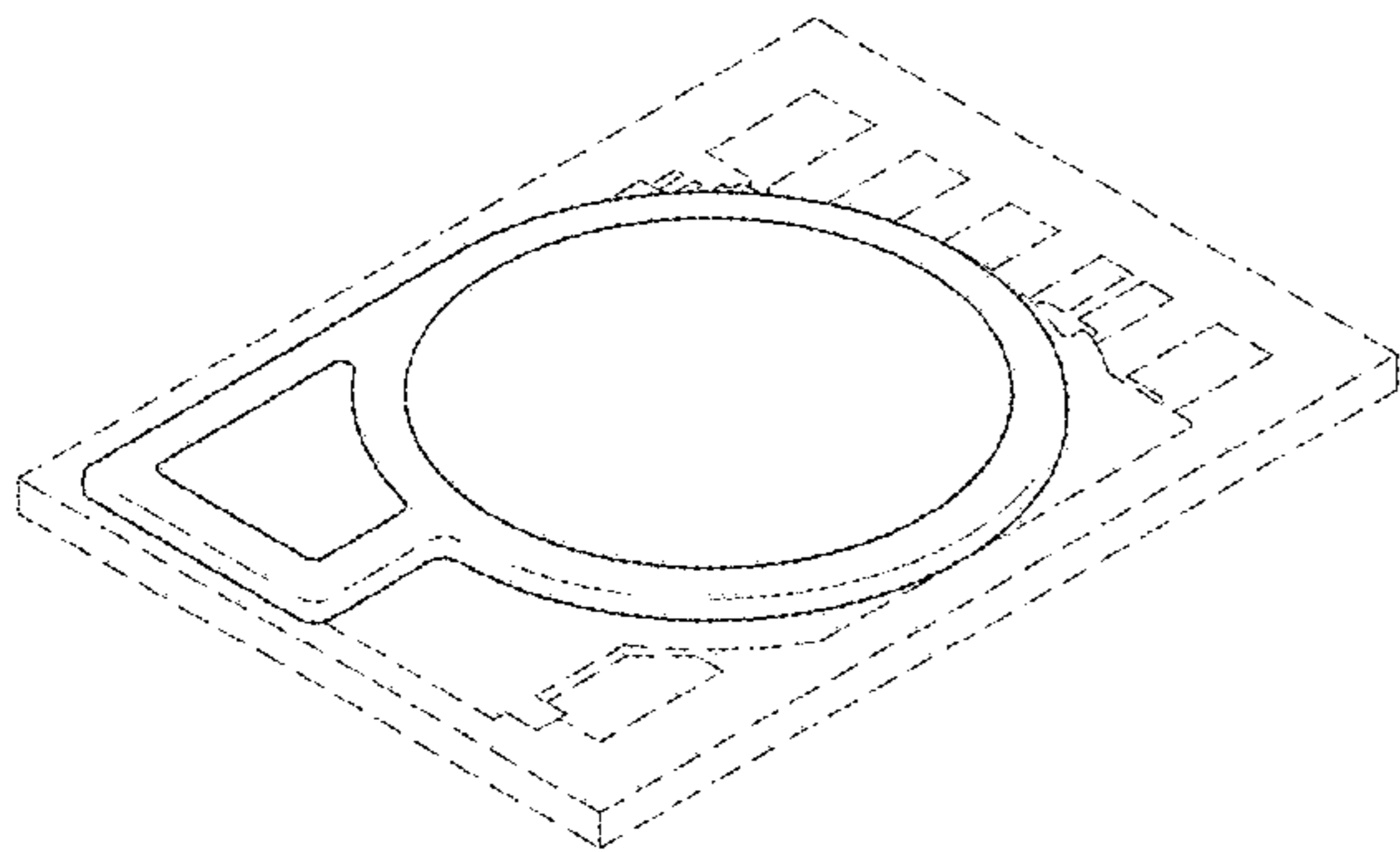
FIG. 11 is a top plan view thereof;

FIG. 12 is a bottom plan view thereof;

FIG. 13 is a left side view thereof; and,

FIG. 14 is a right side view thereof.

(Continued)



The broken lines shown herein are for illustrative purposes only and form no part of the claimed design.

1 Claim, 6 Drawing Sheets

(30) Foreign Application Priority Data

Oct. 23, 2015 (JP) 2015-023541
 Oct. 23, 2015 (JP) 2015-023542

(58) Field of Classification Search

CPC ... H01L 25/167; H01L 25/0753; H01L 27/15;
 H01L 27/156; H01L 31/02; H01L 33/00;
 H01L 33/04; H01L 33/08; H01L 33/10;
 H01L 33/20; H01L 33/38; H01L 33/42;
 H01L 33/4862; H01L 33/483; H01L
 33/486

See application file for complete search history.

(56) References Cited

U.S. PATENT DOCUMENTS

D669,041 S 10/2012 Imai
 D683,708 S 6/2013 Sasano
 D714,236 S 9/2014 Watanabe et al.
 D727,860 S 4/2015 Watanabe et al.

9,046,226 B2 6/2015 Shimosawa
 9,059,376 B2 6/2015 Chou
 9,130,140 B2 9/2015 Tsuchiya
 D762,182 S 7/2016 Akiyama
 D766,196 S 9/2016 Akiyama
 9,484,512 B2 * 11/2016 Kawano H01L 33/62
 D786,808 S * 5/2017 Kayanuma D13/180
 D789,308 S * 6/2017 Ochiai D13/180
 D791,089 S * 7/2017 Goto D13/180
 2011/0084297 A1 4/2011 Ogata
 2012/0106155 A1 5/2012 Hata
 2013/0193462 A1 8/2013 Ishizaki
 2014/0268783 A1 9/2014 Agatani

FOREIGN PATENT DOCUMENTS

EP 002551812-0003 10/2014
 EP 002551812-0004 10/2014
 EP 002551812-0005 10/2014
 EP 002551812-0006 10/2014
 EP 002551812-0007 10/2014
 EP 002551812-0008 10/2014
 JP D1465336 3/2013
 JP D1465337 3/2013
 JP D1465486 3/2013
 JP D1481437 10/2013
 JP D1532207 8/2015
 JP D1536637 11/2015
 JP D1536638 11/2015

* cited by examiner

Fig. 1

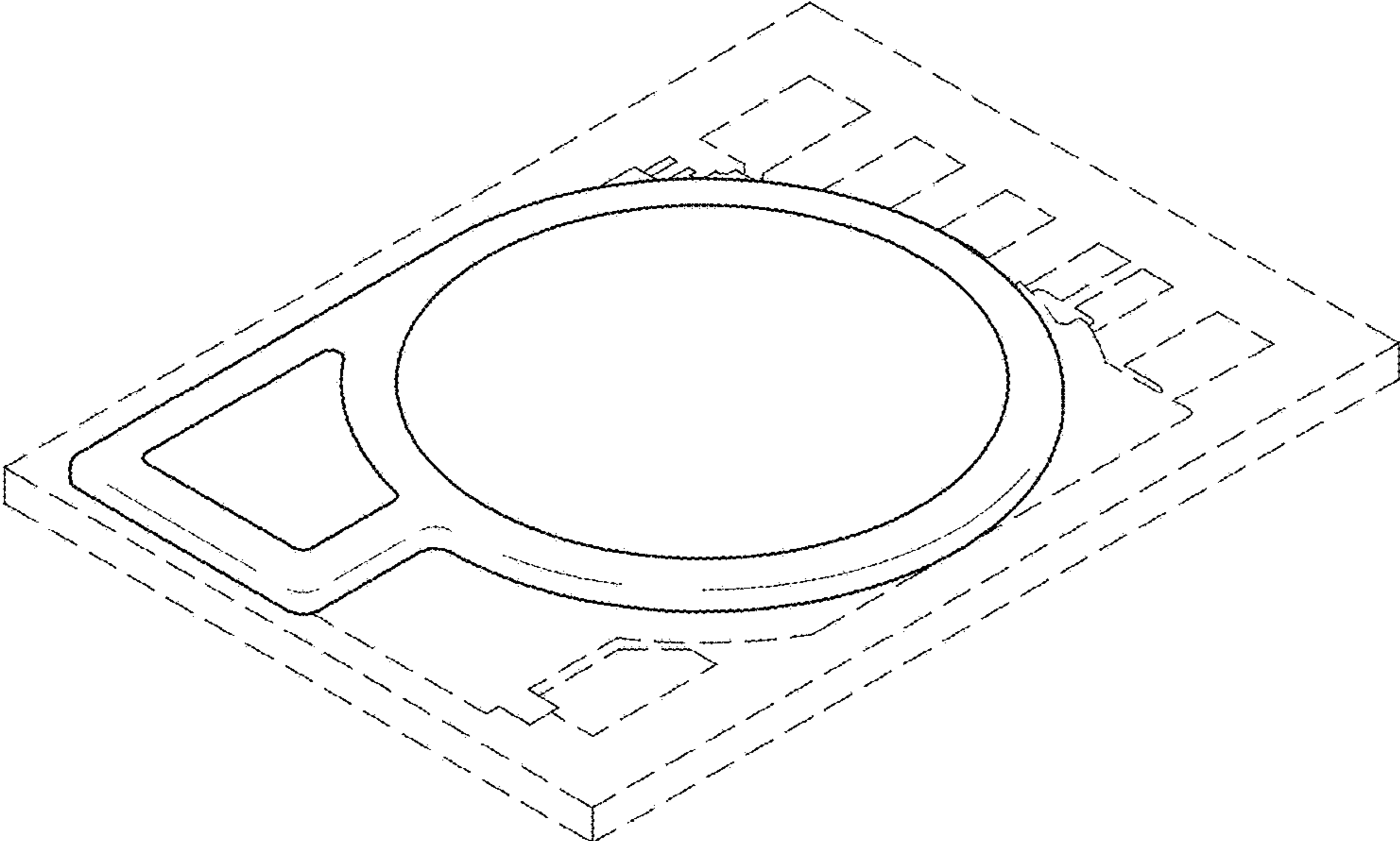


Fig. 2

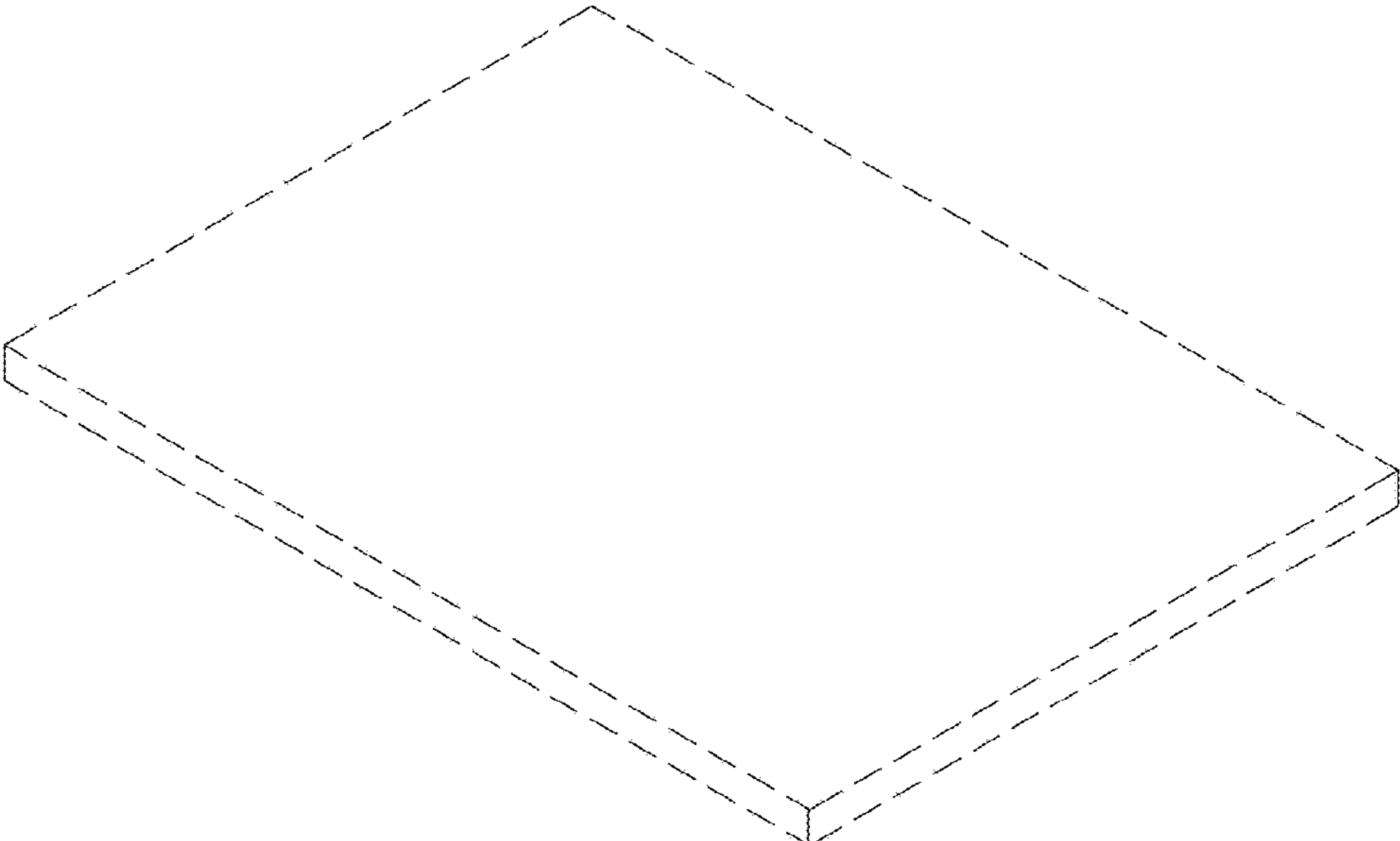


Fig. 3

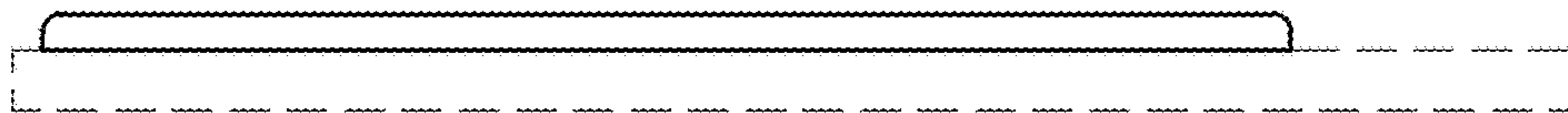


Fig. 4

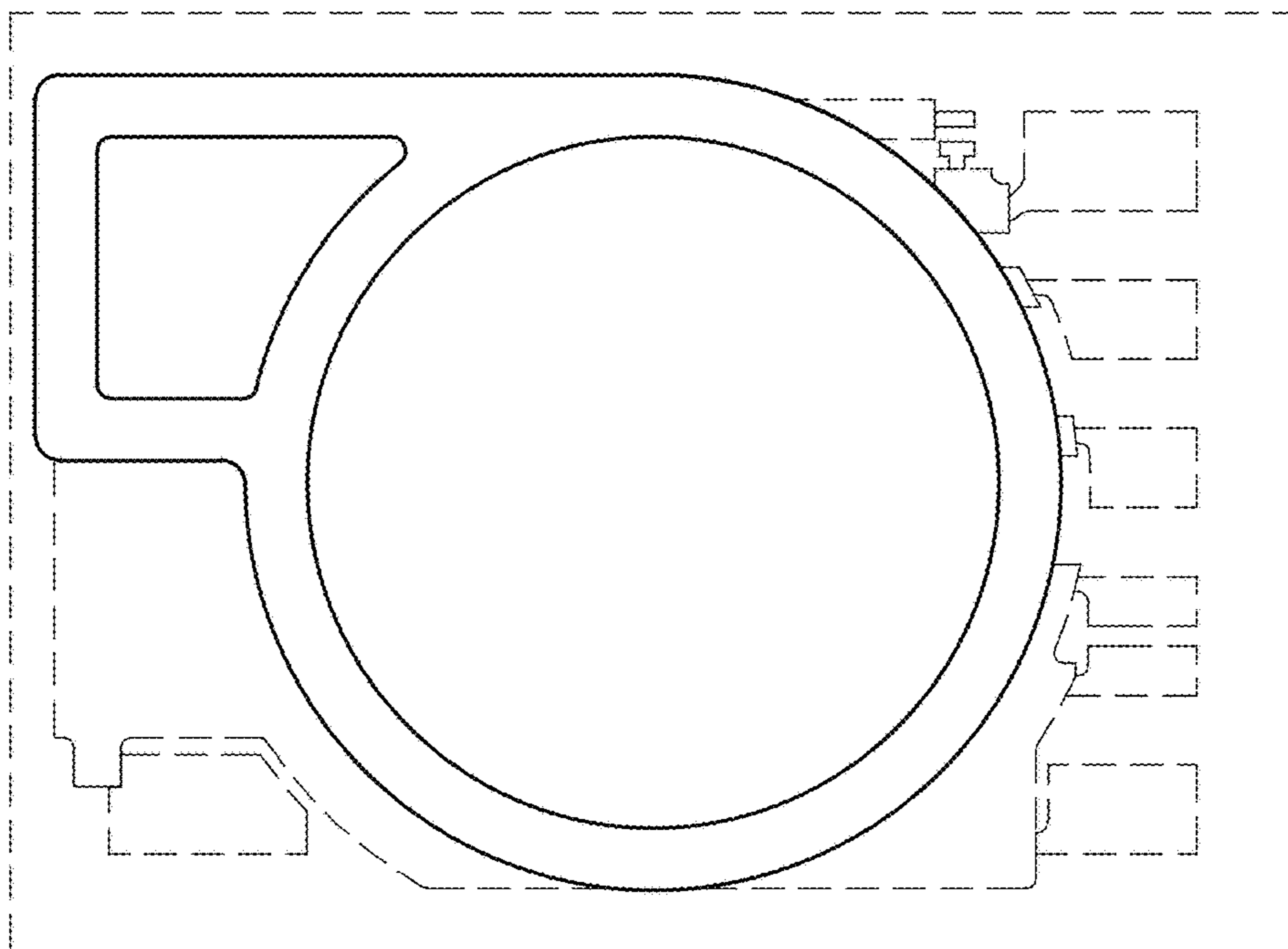


Fig. 5

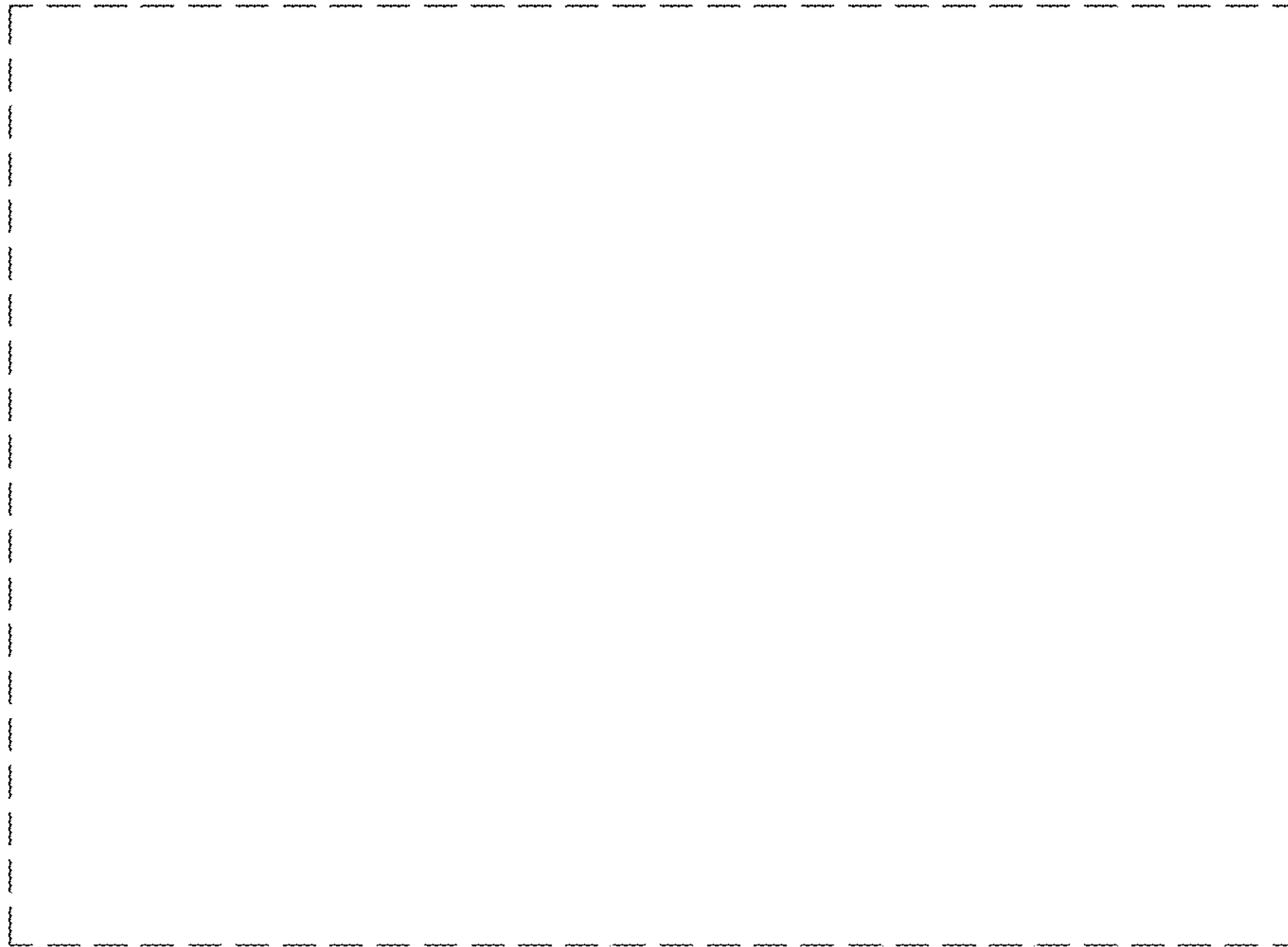


Fig. 6

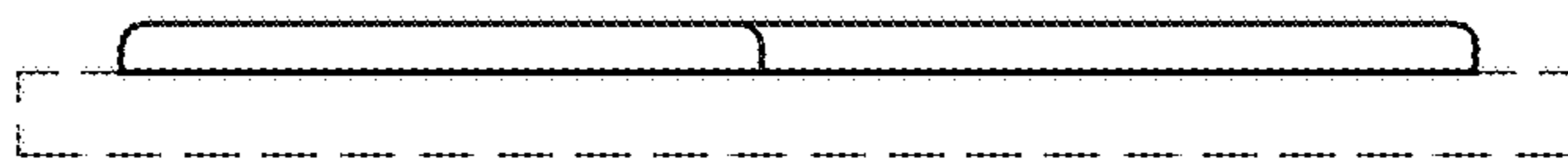


Fig. 7

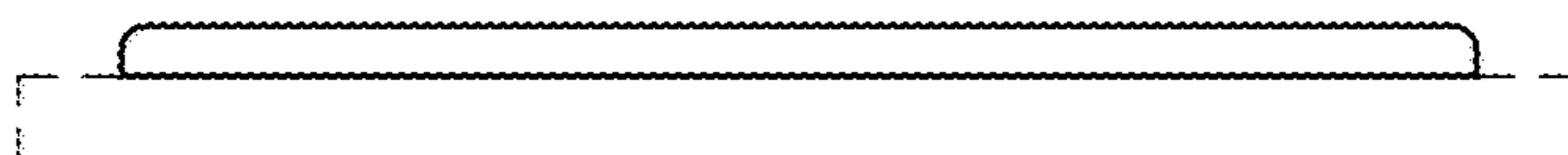


Fig. 8

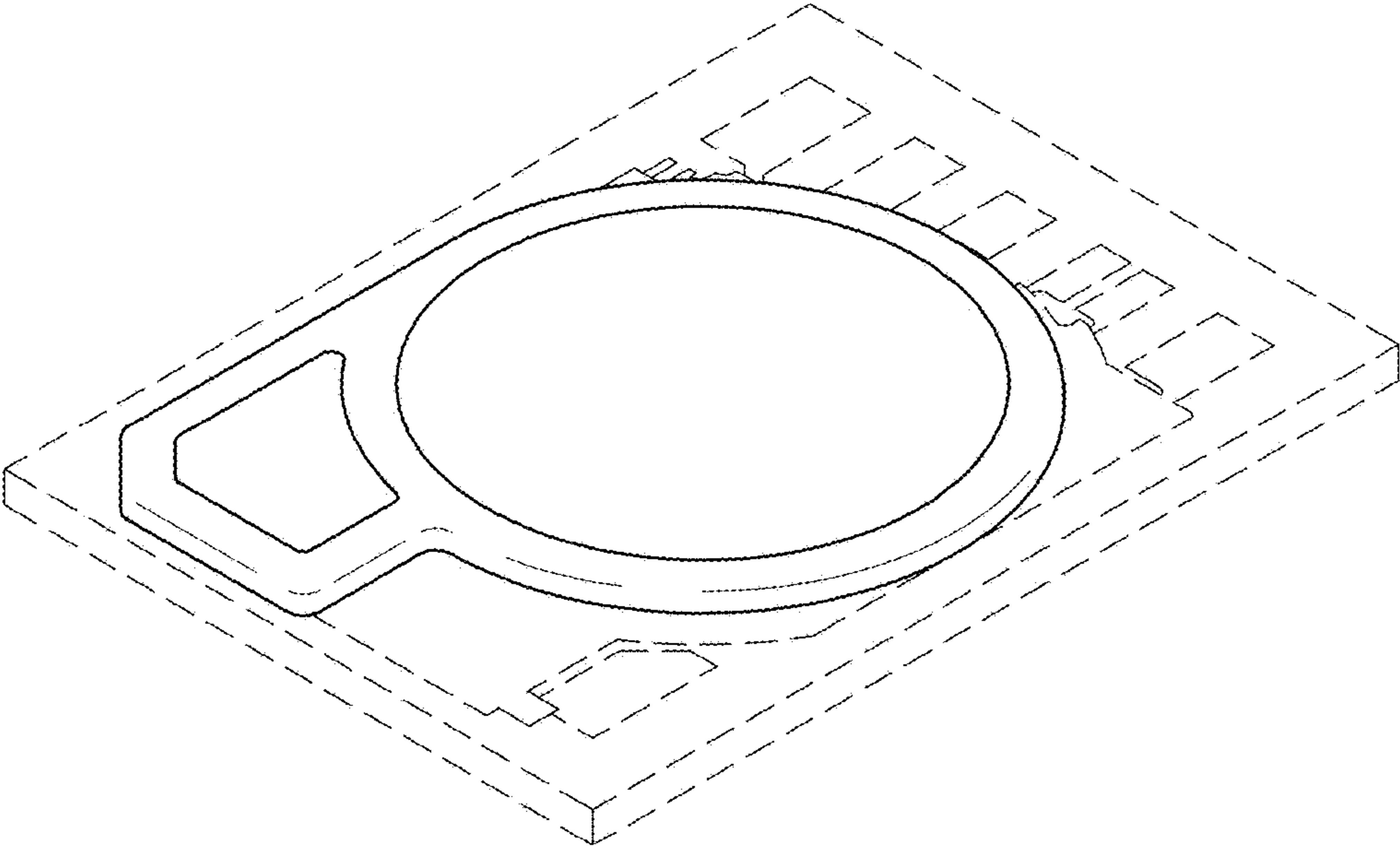


Fig. 9

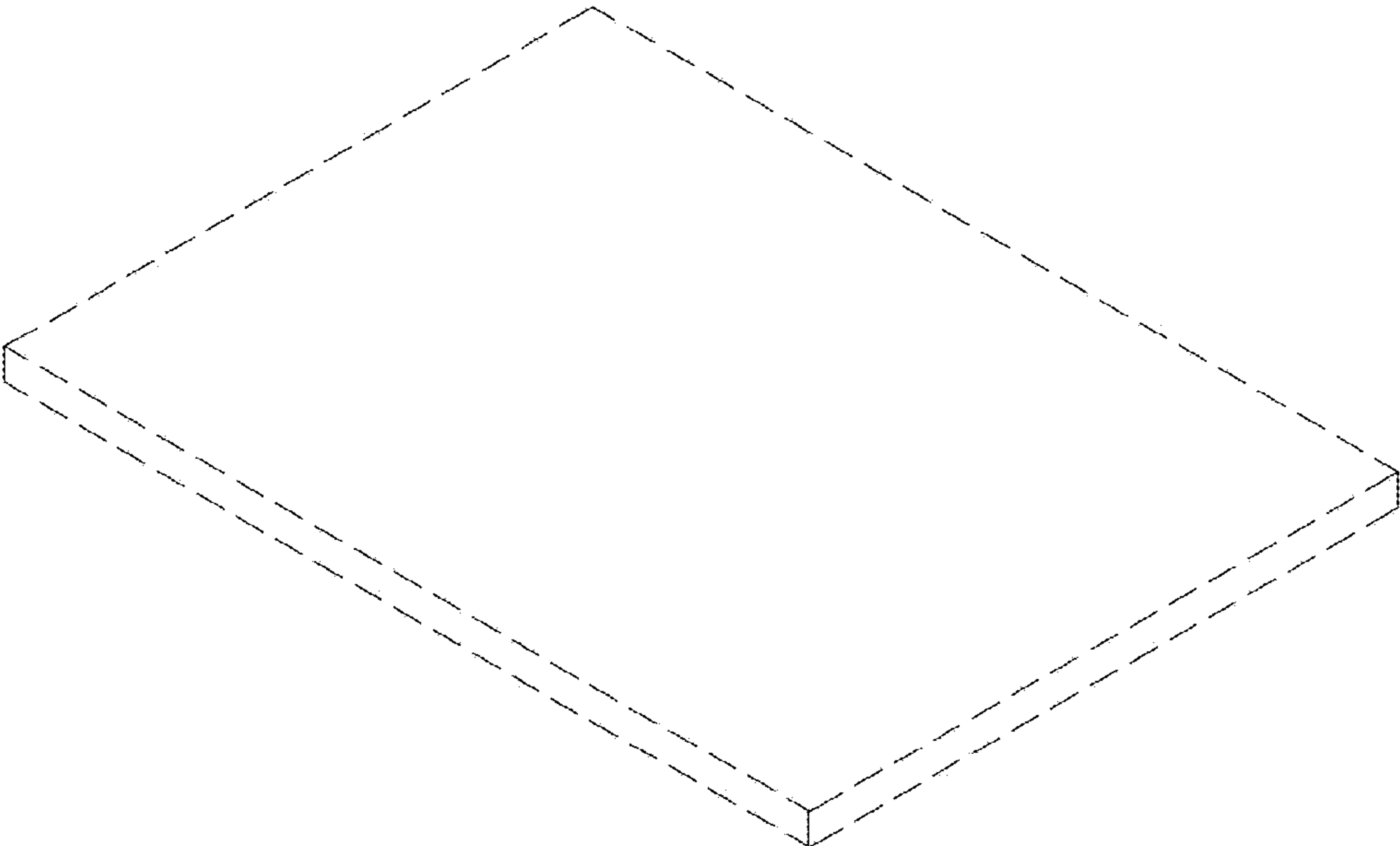


Fig. 10

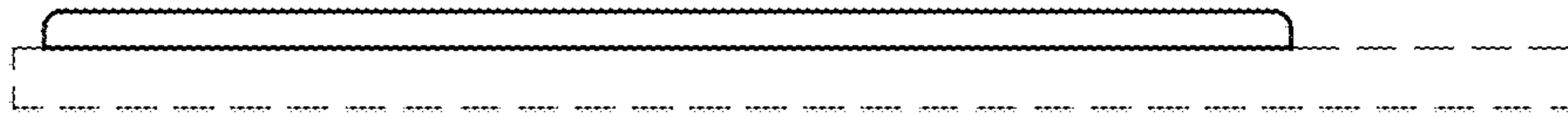


Fig. 11

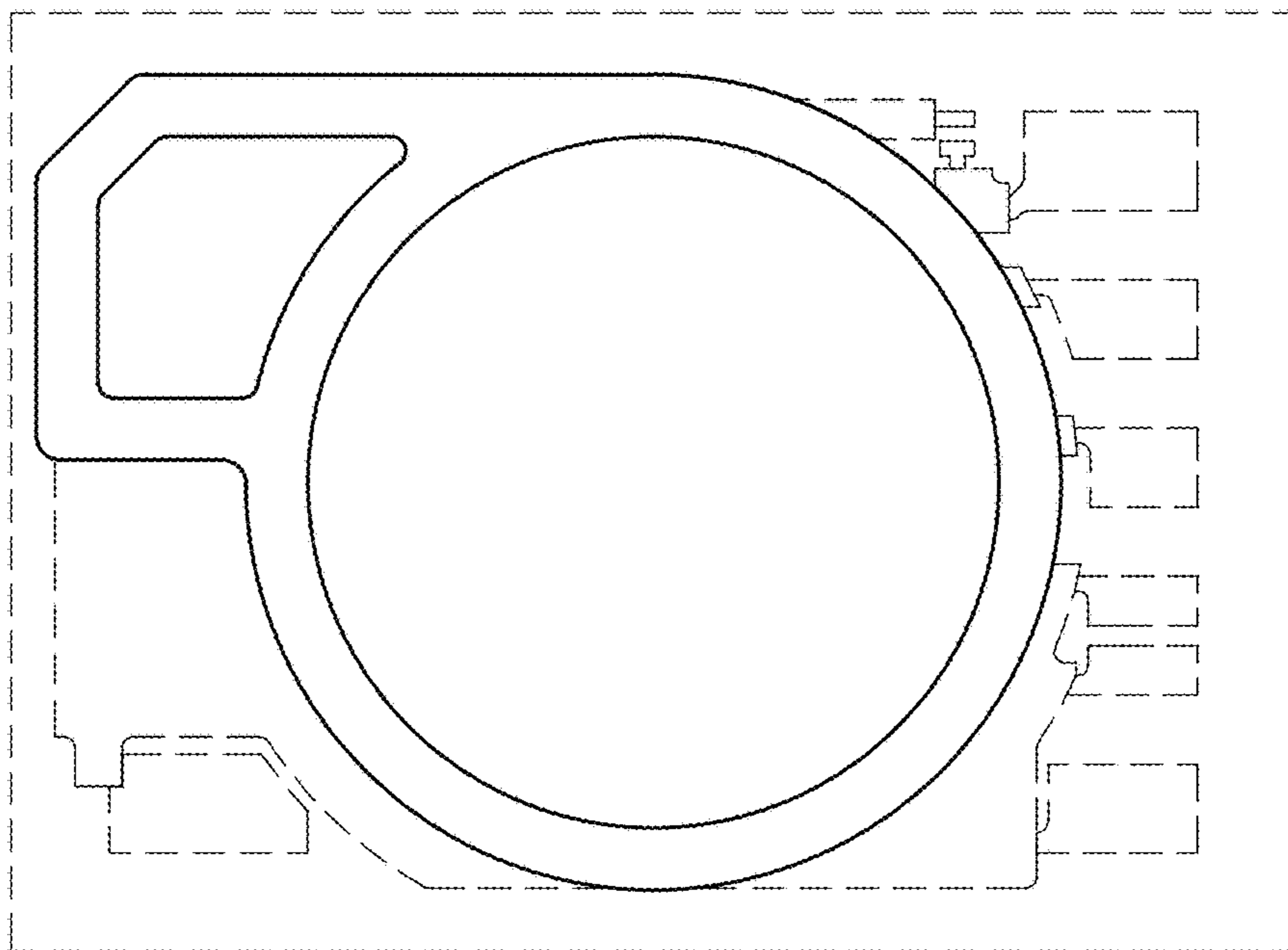


Fig. 12

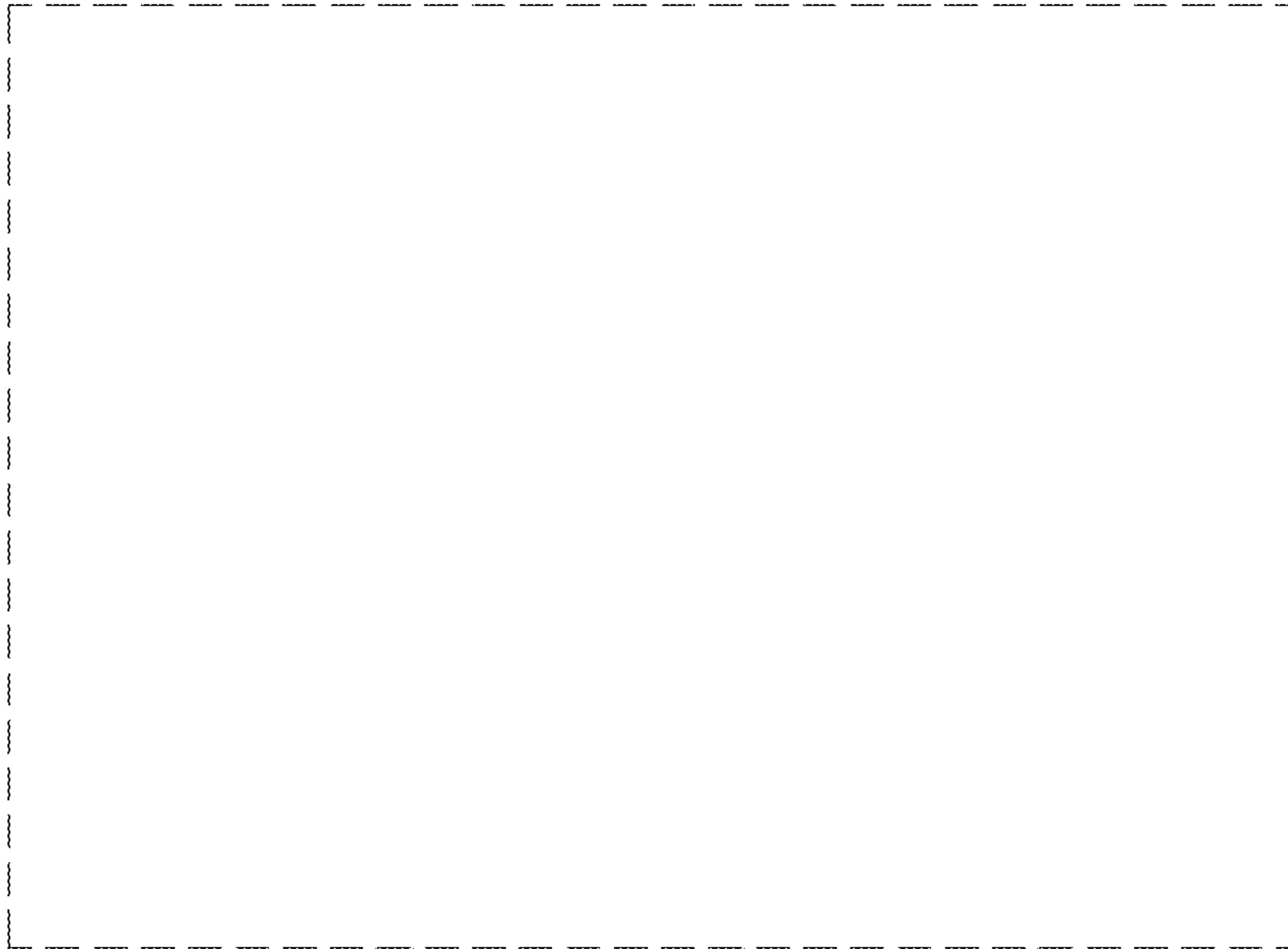


Fig. 13

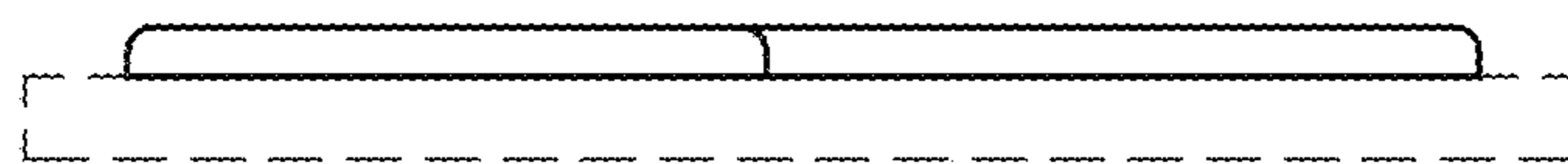


Fig. 14

