



US00D808912S

(12) **United States Design Patent**  
**Dimberg et al.**

(10) **Patent No.:** **US D808,912 S**

(45) **Date of Patent:** **\*\* Jan. 30, 2018**

(54) **CONTROL DEVICE**

(71) Applicant: **Lutron Electronics Co., Inc.**,  
Coopersburg, PA (US)

(72) Inventors: **Chris Dimberg**, Easton, PA (US);  
**Susan Hakkarainen**, Doylestown, PA  
(US); **Jason C. Killo**, Emmaus, PA  
(US); **Brad Michael Kreschollek**,  
Bethlehem, PA (US); **Noel Mayo**,  
Philadelphia, PA (US); **Matthew Philip  
McDonald**, Phoenixville, PA (US)

(73) Assignee: **Lutron Electronics Co., Inc.**,  
Coopersburg, PA (US)

(\*\*) Term: **15 Years**

(21) Appl. No.: **29/566,966**

(22) Filed: **Jun. 3, 2016**

(51) **LOC (11) Cl.** ..... **13-03**

(52) **U.S. Cl.**  
USPC ..... **D13/174; D13/168**

(58) **Field of Classification Search**  
USPC ..... D13/162, 168, 171, 173, 174; D14/487,  
D14/489; D10/104.1

CPC ..... H01H 3/12; H01H 3/122; H01H 9/02;  
H01H 9/16; H01H 9/18; H01H 9/181;  
H01H 9/182; H01H 13/023; H01H 13/04;  
H01H 13/06; H01H 13/14; H01H  
2009/187; H05B 33/0803; H05B 33/0863;  
H05B 37/02; H05B 37/0254; H05B  
37/0272; H05B 39/02; H05B 39/04;  
H05B 39/085; H05B 39/086; H05B  
39/088; G08C 17/02; H03K 17/962

See application file for complete search history.

(56) **References Cited**

**U.S. PATENT DOCUMENTS**

D362,841 S \* 10/1995 Roza ..... D13/171  
6,107,583 A \* 8/2000 Berfield ..... H01H 23/143  
200/302.2

D441,346 S \* 5/2001 Bonn ..... D13/174  
D464,630 S \* 10/2002 Woodworth ..... D13/171  
D469,411 S \* 1/2003 Decosse ..... D13/171  
D515,516 S \* 2/2006 Mayo ..... D13/171  
D558,692 S \* 1/2008 Neveu ..... D13/174  
D589,463 S \* 3/2009 Sykes ..... D13/168  
7,884,299 B2 \* 2/2011 Glew ..... H03K 17/955  
200/310  
D645,005 S \* 9/2011 Menheere ..... D13/171  
D654,880 S \* 2/2012 Lam ..... D13/174  
D687,328 S \* 8/2013 Clymer ..... D10/104.1  
8,786,196 B2 7/2014 Biery et al.

(Continued)

**OTHER PUBLICATIONS**

Legrand® / Pass & Seymour®, P&S Dimmers—DR Series Bro-  
chure, 2010, 2 pages.

(Continued)

*Primary Examiner* — Selina Sikder

(74) *Attorney, Agent, or Firm* — Saidman DesignLaw  
Group, LLC

(57) **CLAIM**

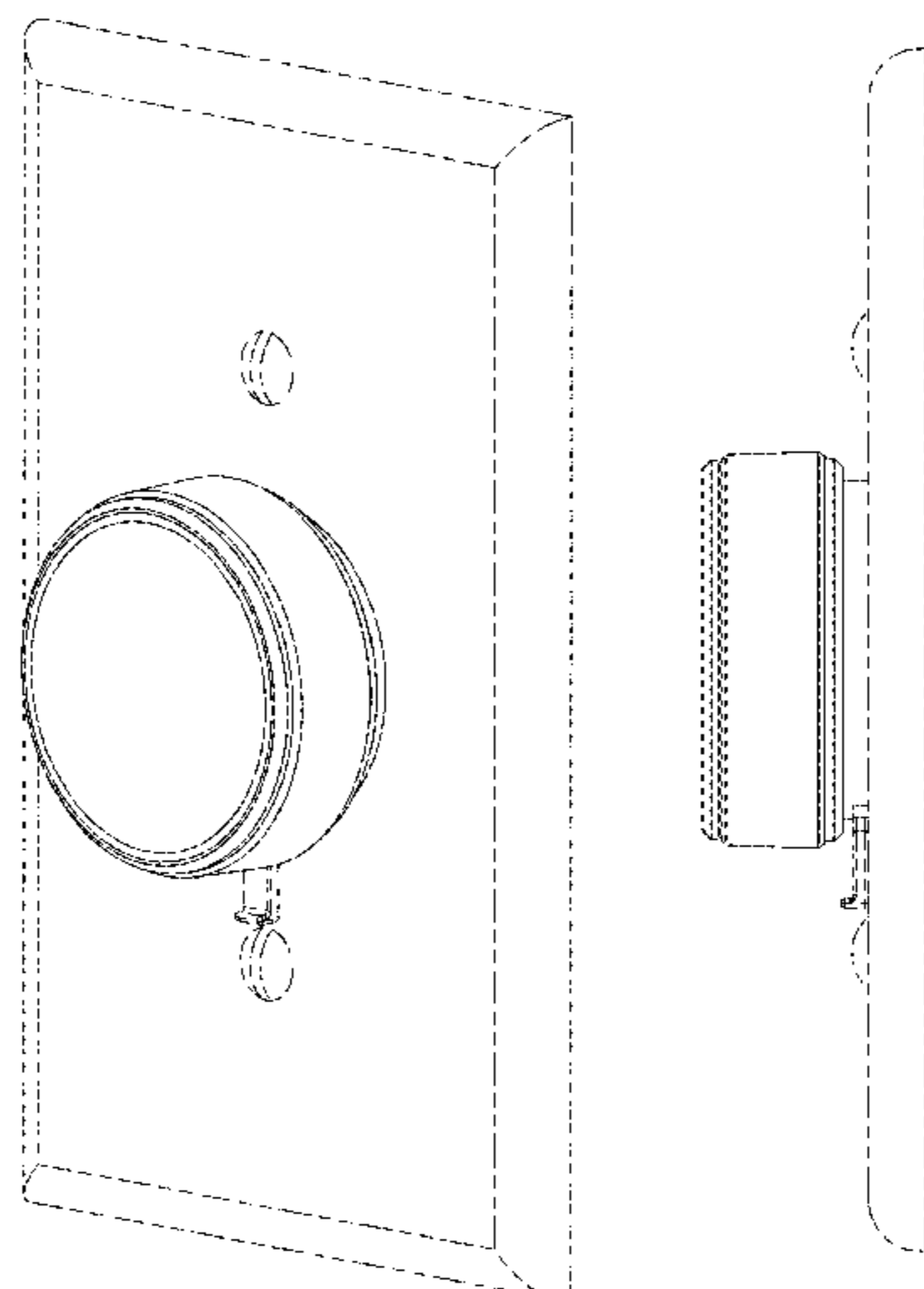
The ornamental design for a control device, as shown and  
described.

**DESCRIPTION**

FIG. 1 is a front perspective view of a control device  
showing our new design;  
FIG. 2 is a front view thereof;  
FIG. 3 is a left side view thereof;  
FIG. 4 is a right side view thereof;  
FIG. 5 is a top view thereof; and,  
FIG. 6 is a bottom view thereof.

The dashed broken lines illustrate structure or features  
which form no part of the claimed design; the broken lines  
themselves form no part of the claimed design.

**1 Claim, 4 Drawing Sheets**



(56)

References Cited

U.S. PATENT DOCUMENTS

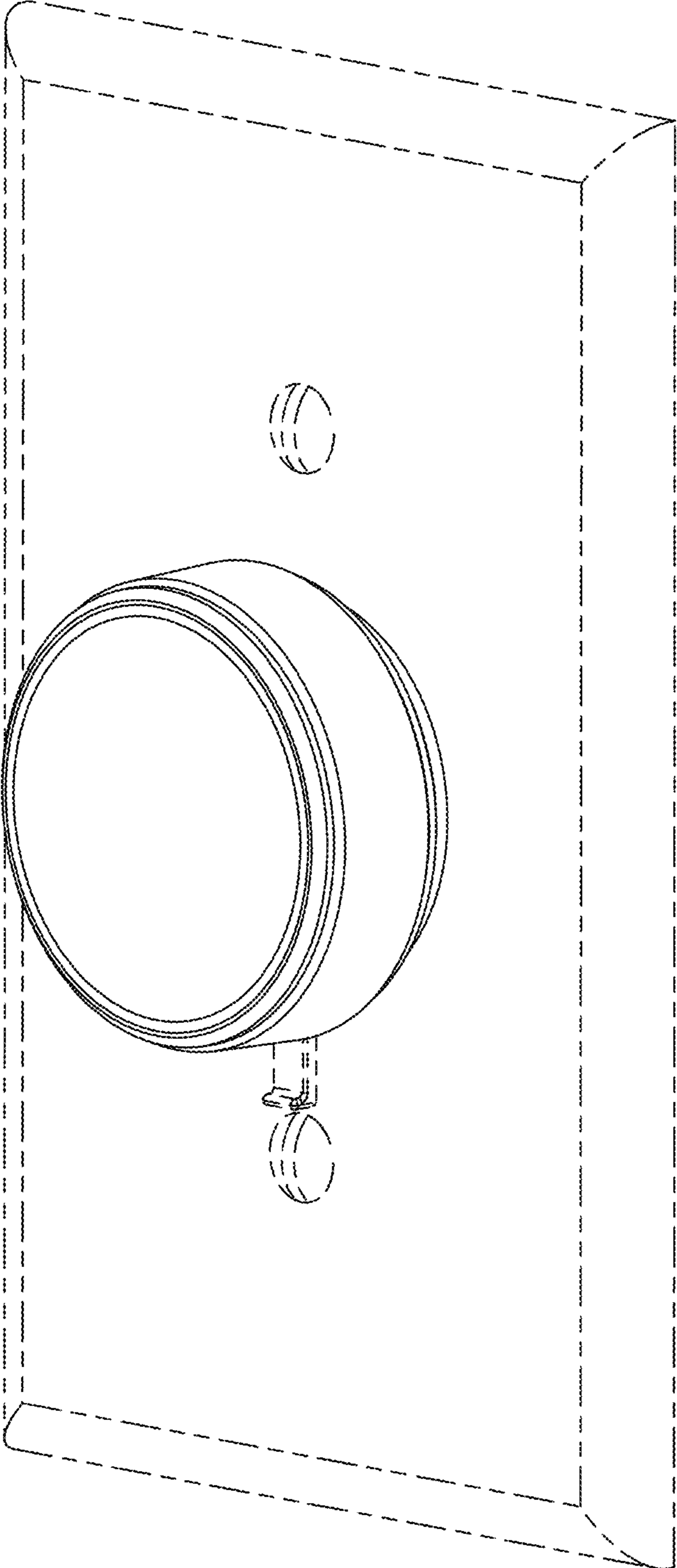
D725,612 S \* 3/2015 Schlegel ..... D13/174  
D748,648 S \* 2/2016 Kim ..... D14/486  
D755,037 S \* 5/2016 Czerwinski, Jr. .... D8/300  
9,337,943 B2 \* 5/2016 Mosebrook ..... H04L 12/2816  
D761,277 S \* 7/2016 Harvell ..... D14/485  
D762,716 S \* 8/2016 Yang ..... D14/489  
D763,308 S \* 8/2016 Wang ..... D14/486  
D766,844 S \* 9/2016 Turksu ..... D10/104.1  
D786,932 S \* 5/2017 Kim ..... D14/488  
2007/0057922 A1 \* 3/2007 Schultz ..... G06F 3/03547  
345/173  
2007/0102275 A1 \* 5/2007 Genz ..... H01H 13/06  
200/406  
2007/0193867 A1 \* 8/2007 Lorenzo Riera ..... H01H 13/023  
200/314  
2010/0175971 A1 \* 7/2010 Kim ..... B60R 25/04  
200/313  
2013/0328500 A1 \* 12/2013 Toda ..... H05B 37/0209  
315/292

2014/0042002 A1\* 2/2014 Chu ..... H03K 17/9622  
200/313  
2014/0117871 A1 5/2014 Swatsky et al.  
2015/0371534 A1 12/2015 Dimberg et al.

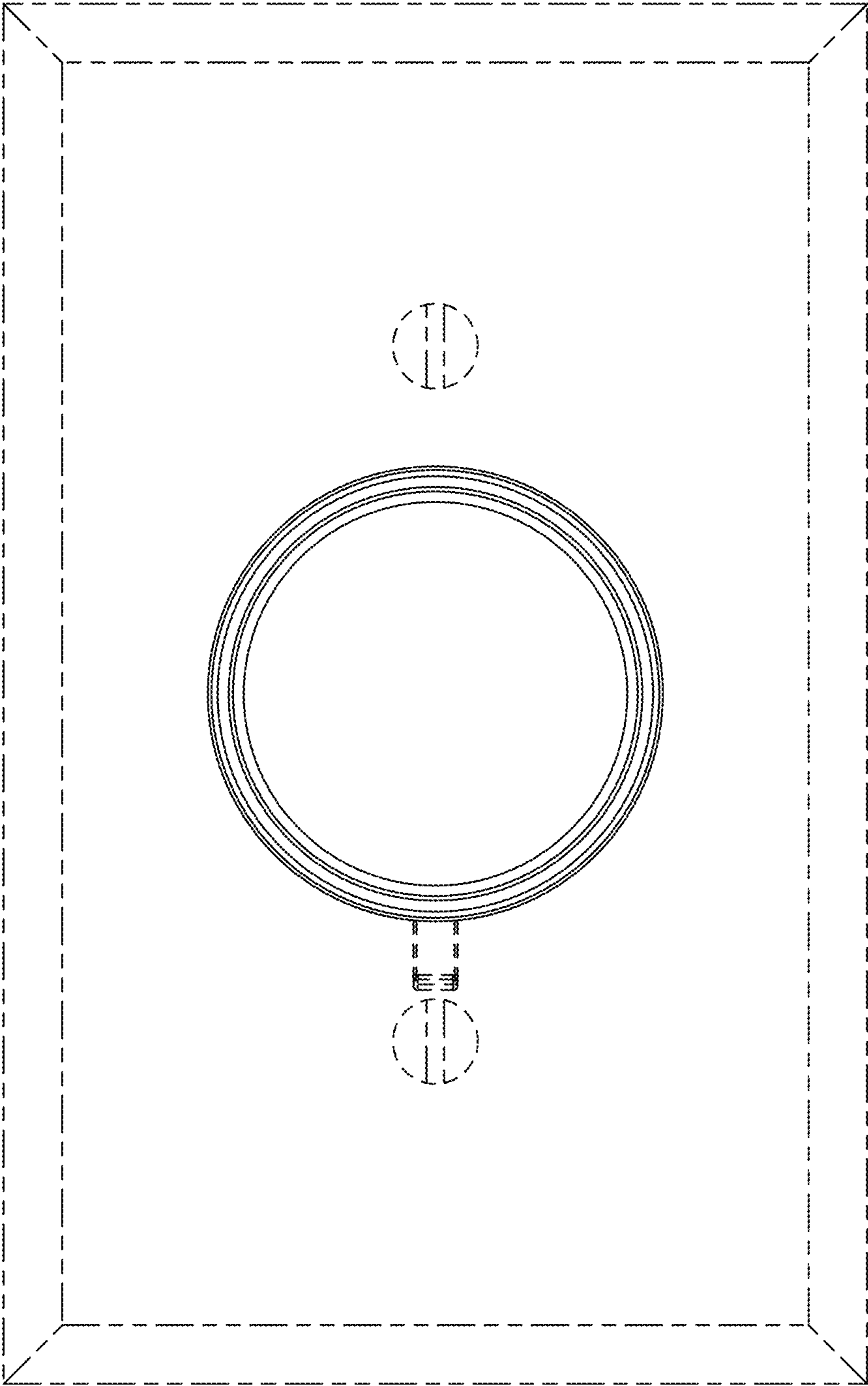
OTHER PUBLICATIONS

Legrand®, Dimmers Brochure, 2015, 18 pages.  
Lumenpulse™, Lumentone™ Specification Sheet, 2013, 4 pages.  
Lumenpulse™, Lumentone™ Installation Instructions, 2013, 1 page.  
Lumenpulse™, Lumentone™ Quick Reference Guide, 2015, 3 pages.  
U.S. Appl. No. 62/345,449, filed Jun. 3, 2016 (unpublished).  
U.S. Appl. No. 62/345,222, filed Jun. 3, 2016 (unpublished).  
U.S. Appl. No. 29/566,959, filed Jun. 3, 2016 (unpublished).  
U.S. Appl. No. 29/569,814, filed Jun. 30, 2016 (unpublished).  
U.S. Appl. No. 29/569,786, filed Jun. 30, 2016 (unpublished).  
U.S. Appl. No. 29/594,200, filed Feb. 16, 2017 (unpublished).  
U.S. Appl. No. 29/594,202, filed Feb. 16, 2017 (unpublished).  
U.S. Appl. No. 29/597,335, filed Mar. 16, 2017 (unpublished).

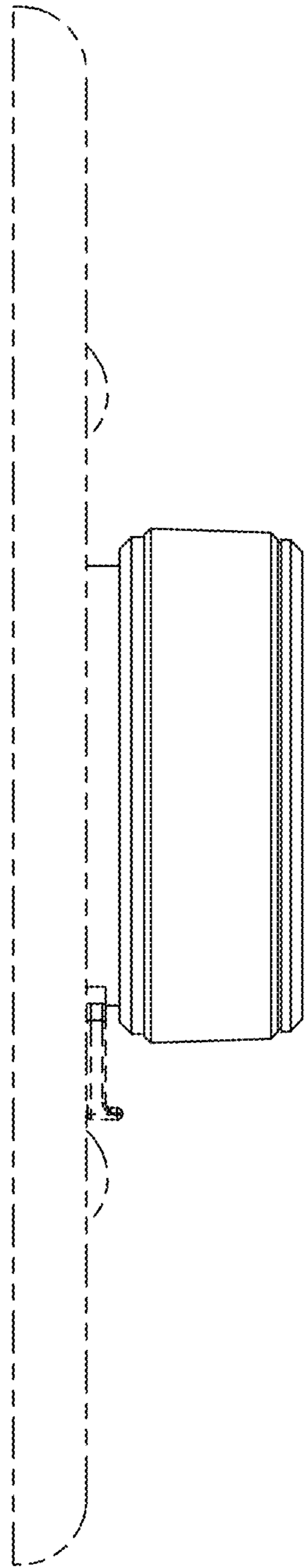
\* cited by examiner



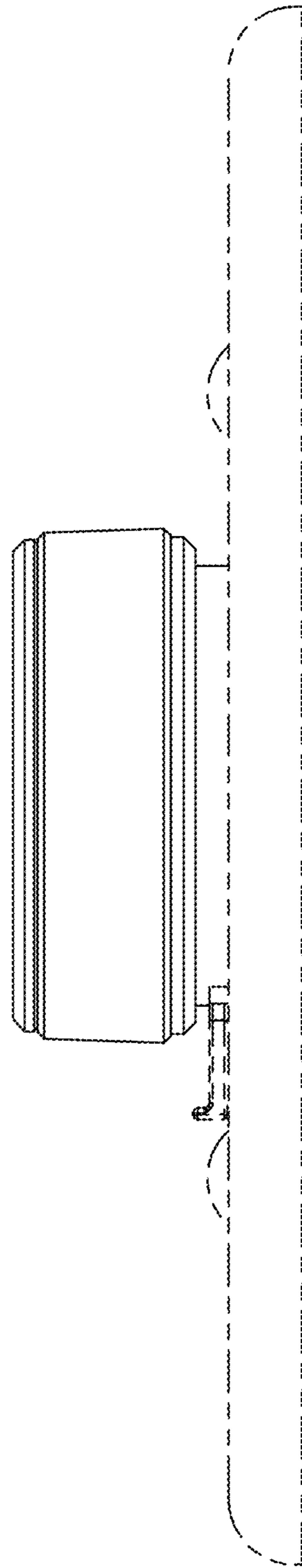
**FIG. 1**



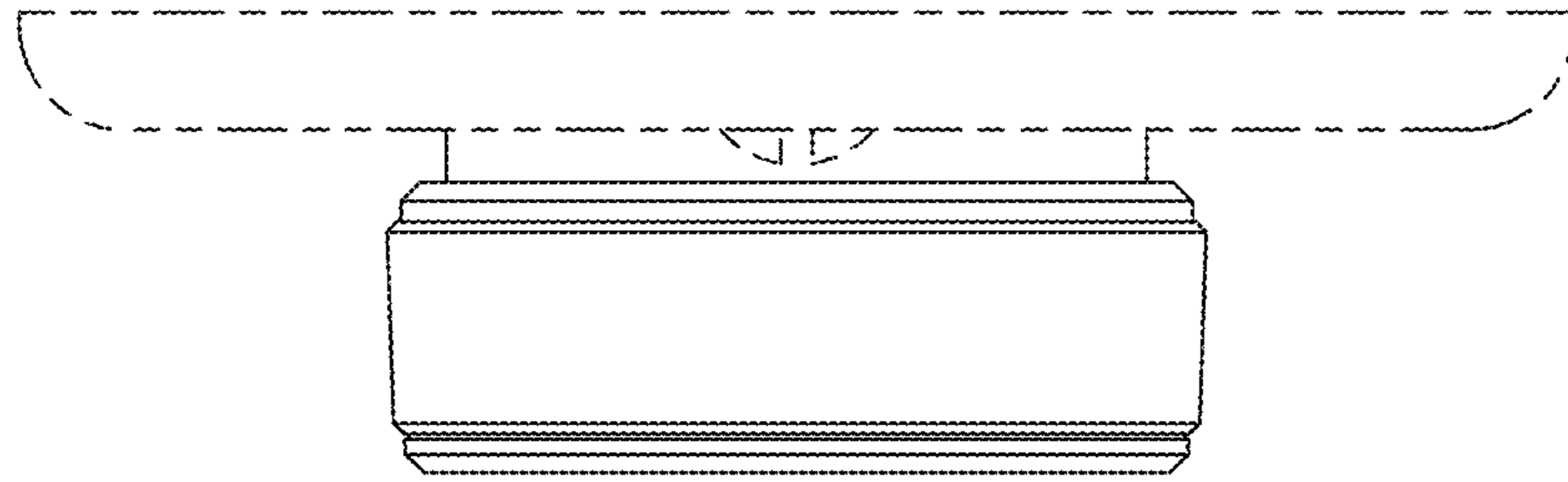
**FIG. 2**



**FIG. 3**



**FIG. 4**



**FIG. 5**



**FIG. 6**