



US00D808909S

(12) **United States Design Patent**  
**Findik et al.**

(10) **Patent No.:** **US D808,909 S**  
(45) **Date of Patent:** **\*\* Jan. 30, 2018**

(54) **REMOTE CONTROL**

(71) Applicant: **NBB Holding AG**, Oelbronn-Duerrn (DE)

(72) Inventors: **Martina Findik**, Karlsruhe-Durlach (DE); **Juergen Goos**, Speyer (DE)

(73) Assignee: **NBB Holding AG**, Oelbronn-Duerrn (DE)

(\*\*) Term: **15 Years**

(21) Appl. No.: **29/582,052**

(22) Filed: **Oct. 25, 2016**

(30) **Foreign Application Priority Data**

May 10, 2016 (WO) ..... DM/090562

(51) **LOC (11) Cl.** ..... **14-03**

(52) **U.S. Cl.**  
USPC ..... **D13/168**

(58) **Field of Classification Search**  
USPC ..... D13/164, 168; D14/218  
(Continued)

(56) **References Cited**

**U.S. PATENT DOCUMENTS**

D402,966 S \* 12/1998 Lim ..... D13/168  
5,847,336 A 12/1998 Thornton  
(Continued)

**FOREIGN PATENT DOCUMENTS**

DE 8413936 11/1984  
DE 4236062 4/1993  
(Continued)

**OTHER PUBLICATIONS**

Brochure of NBB Controls, Inc., "Easy Movement", 2 pages, May 2010.

*Primary Examiner* — Selina Sikder

(74) *Attorney, Agent, or Firm* — Lipsitz & McAllister, LLC

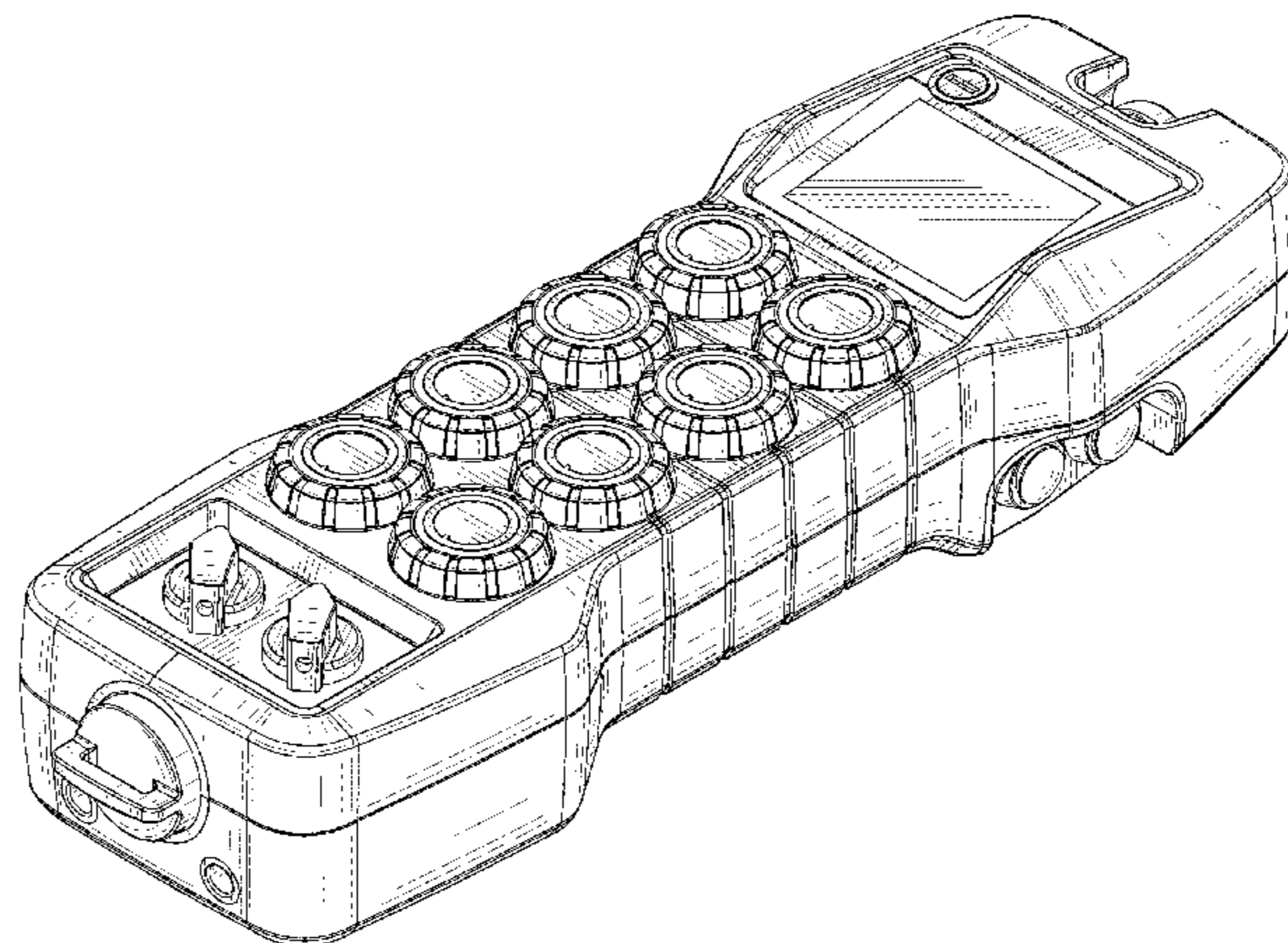
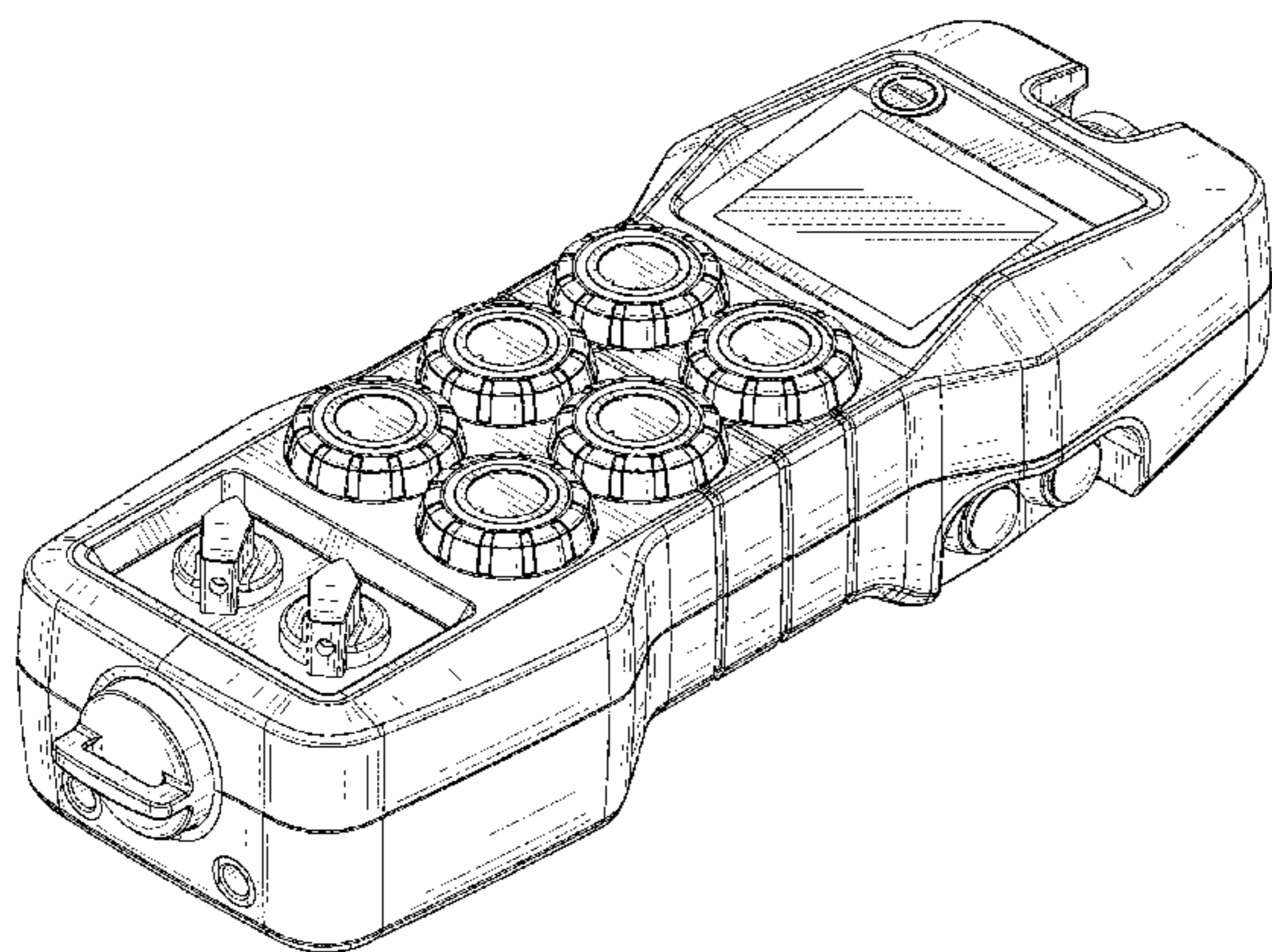
(57) **CLAIM**

The ornamental design for a remote control, as shown and described.

**DESCRIPTION**

FIG. 1 is a front, top and right side perspective view of a first embodiment of a remote control showing the new design; FIG. 2 is a front elevational view thereof; FIG. 3 is a right side elevational view thereof; FIG. 4 is a rear elevational view thereof; FIG. 5 is a left side elevational view thereof; FIG. 6 is a top plan view thereof; and FIG. 7 is a bottom plan view thereof. FIG. 8 is a top, front and right side perspective view of a second embodiment of a remote control showing the new design; FIG. 9 is a front elevational view of the design of FIG. 8; FIG. 10 is a right side elevational view of the design of FIG. 8; FIG. 11 is a rear elevational view of the design of FIG. 8; FIG. 12 is a left side elevational view of the design of FIG. 8; FIG. 13 is top plan view of the design of FIG. 8; and FIG. 14 is a bottom plan view of the design of FIG. 8. FIG. 15 is a top, front and right side perspective view of a third embodiment of a remote control showing the new design; FIG. 16 is a front elevational view of the design of FIG. 15; FIG. 17 is a right side elevational view of the design of FIG. 15; FIG. 18 is a rear side elevational view of the design of FIG. 15; FIG. 19 is a left side elevational view of the design of FIG. 15; FIG. 20 is a top view of the design of FIG. 15; and, FIG. 21 is a bottom plan view of the design of FIG. 15.

**1 Claim, 21 Drawing Sheets**



# US D808,909 S

Page 2

(58) **Field of Classification Search**

CPC ..... H03J 1/0025; H01H 9/0235; H04B 1/202;  
G08C 17/00; G08C 17/02; G08C 19/00;  
G08C 19/28; G08C 23/02; G08C 23/04;  
G05B 15/02

See application file for complete search history.

(56)

**References Cited**

U.S. PATENT DOCUMENTS

6,310,609 B1 10/2001 Morgenthaler  
D467,578 S \* 12/2002 Ichijima ..... D14/218  
6,488,425 B1 \* 12/2002 Spence ..... H01H 9/0214  
200/302.2  
6,608,271 B2 8/2003 Duarte  
D481,687 S \* 11/2003 Moriya ..... D13/171  
D491,923 S \* 6/2004 Navarrete ..... D14/218  
7,120,471 B2 10/2006 Deeds  
D540,749 S \* 4/2007 Kaule ..... D13/168  
7,244,899 B2 7/2007 Jung et al.  
7,294,802 B2 11/2007 Yurochko

D585,387 S \* 1/2009 Fukano ..... D13/168  
D624,903 S \* 10/2010 Wlotzka ..... D14/218  
7,965,204 B2 6/2011 Bredow et al.  
D713,803 S \* 9/2014 Bouyer ..... D13/168  
D776,090 S \* 1/2017 Huang ..... D14/218  
2005/0248930 A1 11/2005 Naval et al.  
2008/0012747 A1 1/2008 Bredow et al.  
2009/0284403 A1 \* 11/2009 Chu ..... G08C 17/00  
341/176  
2011/0069961 A1 \* 3/2011 Hudson ..... G08C 17/02  
398/115  
2013/0147611 A1 \* 6/2013 Brendel ..... G08C 17/02  
340/12.5

FOREIGN PATENT DOCUMENTS

DE 10031665 1/2002  
EP 0685954 12/1995  
EP 1583122 10/2005  
EP 1873596 10/2009

\* cited by examiner



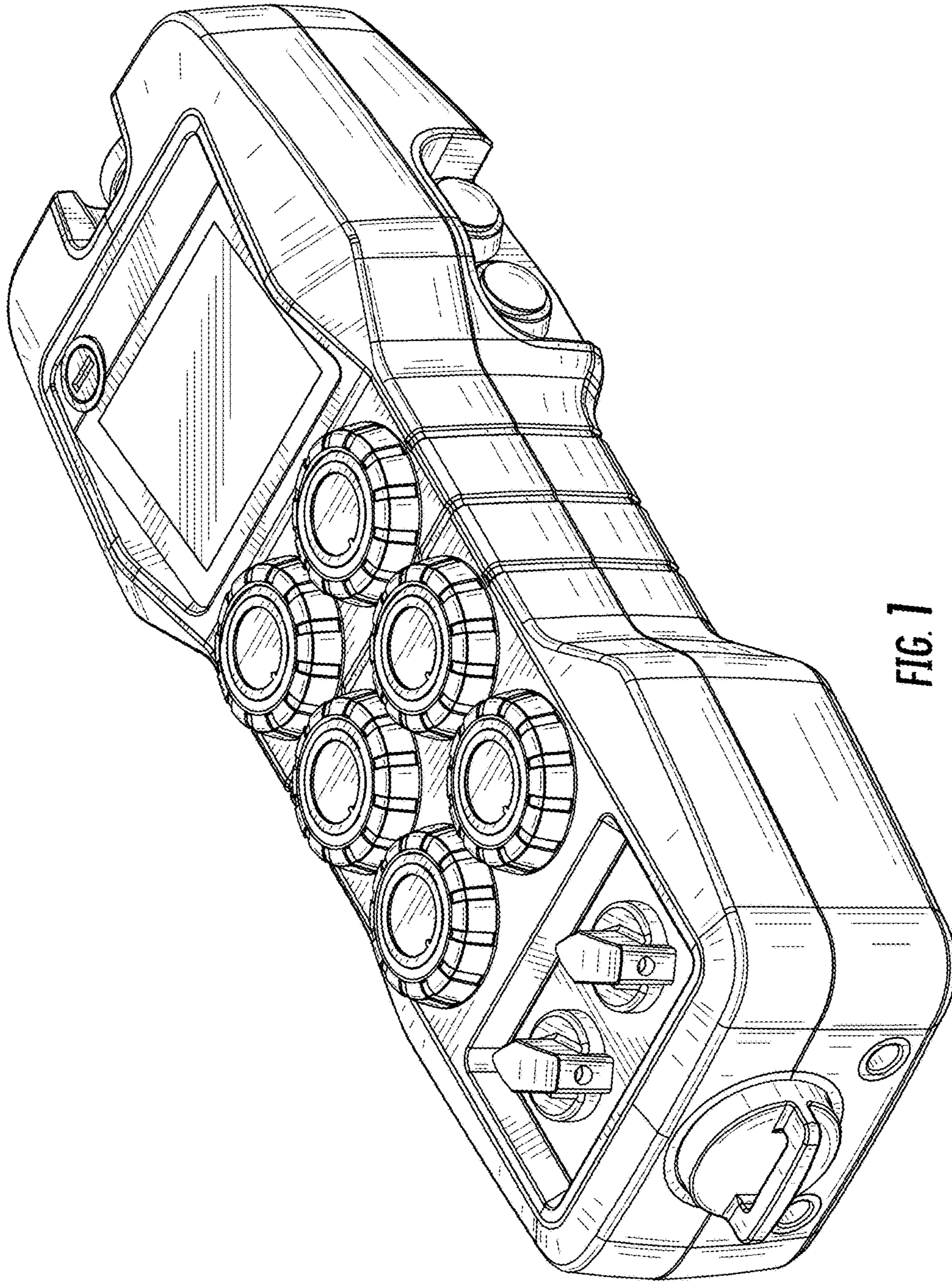
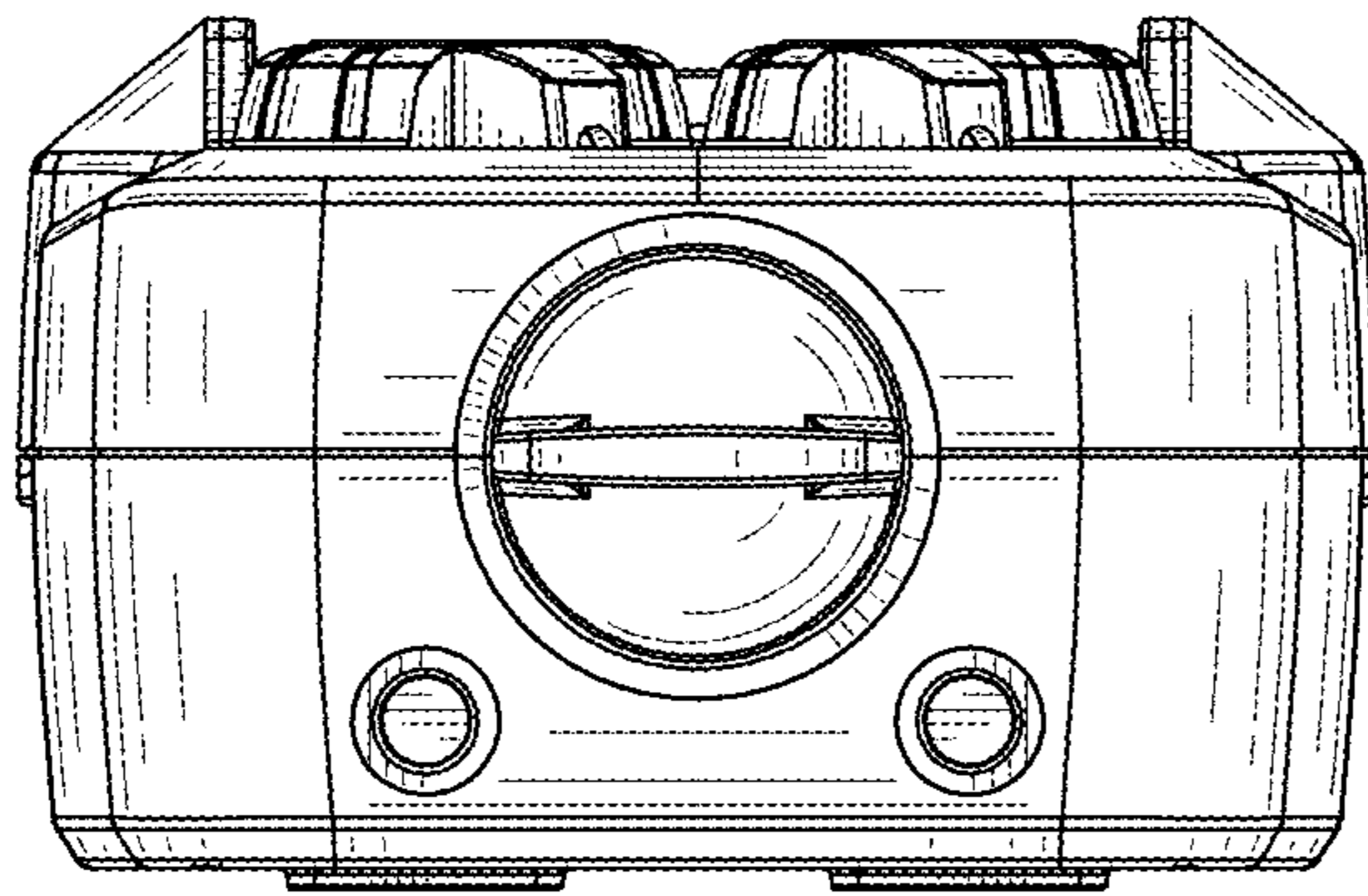


FIG. 1



**FIG. 2**

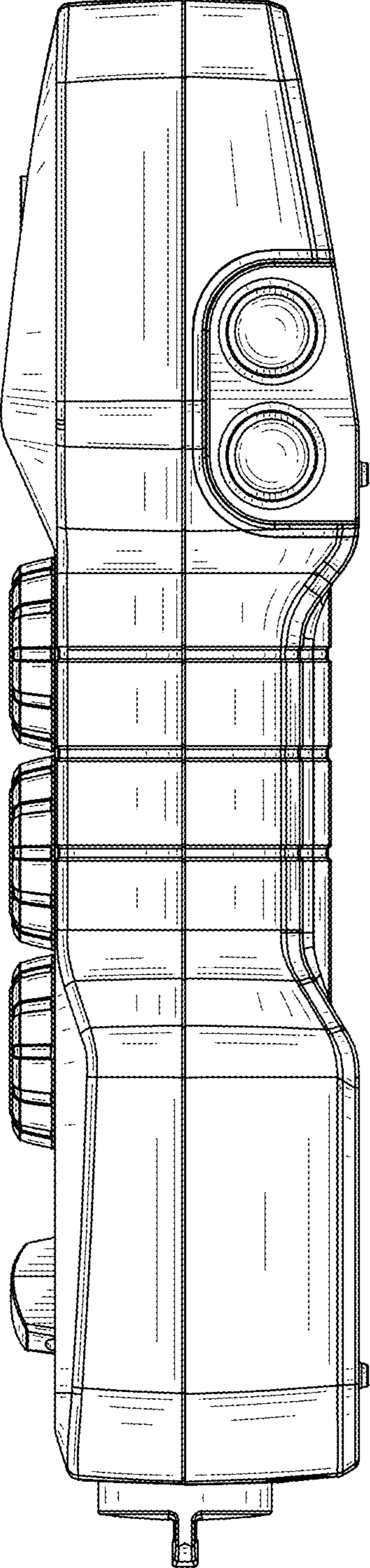
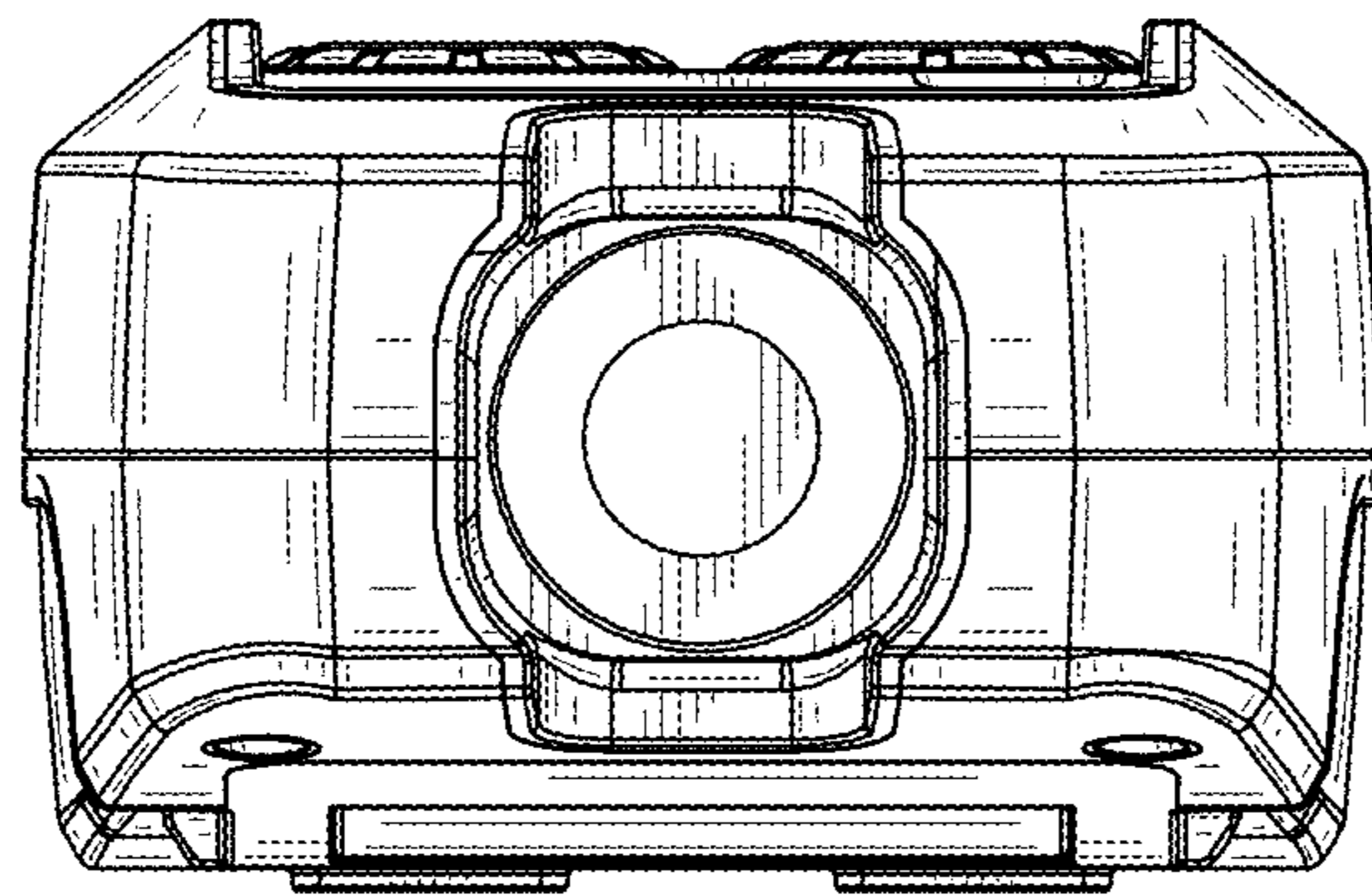


FIG. 3



**FIG. 4**



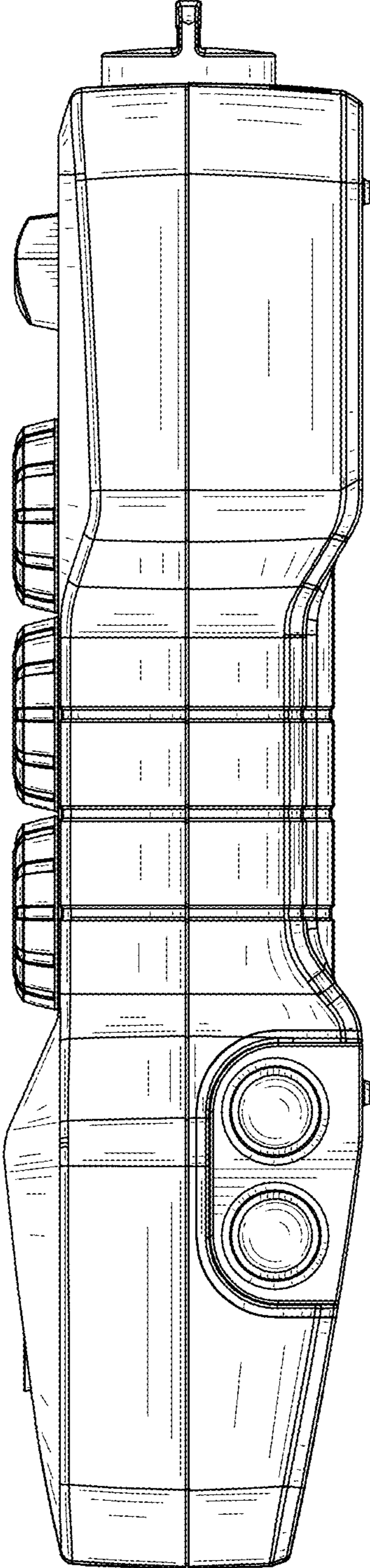


FIG. 5

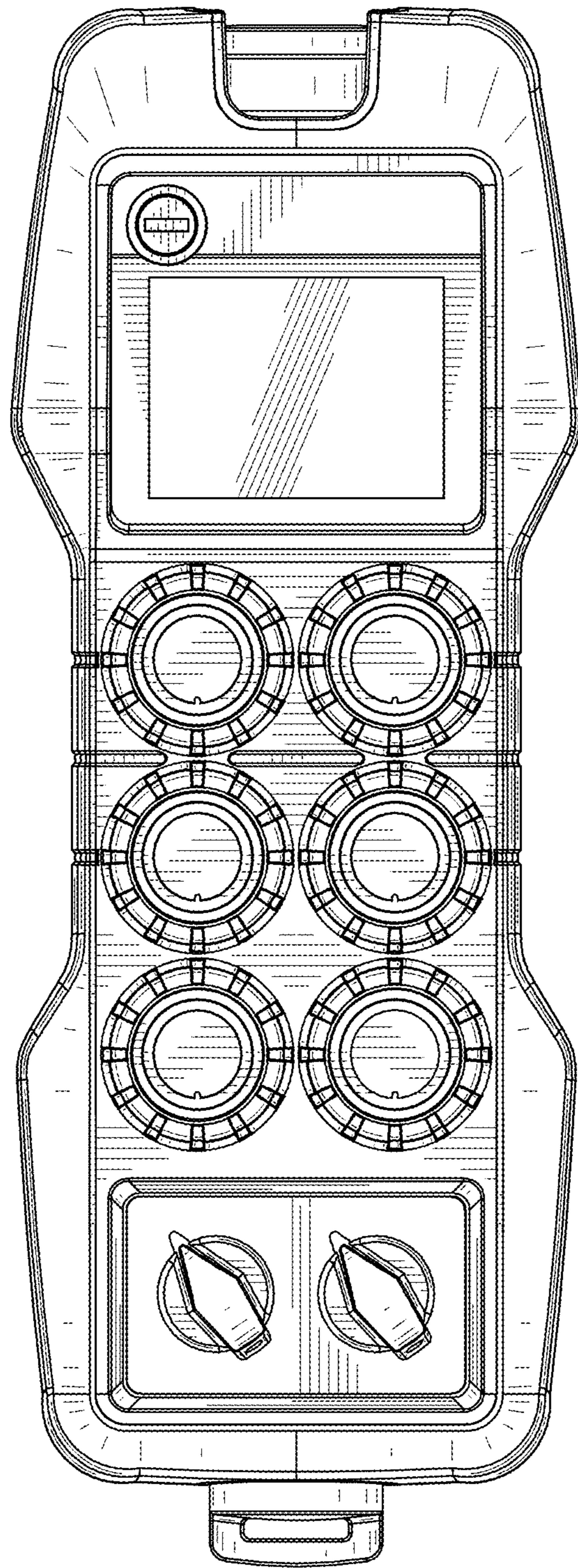


FIG. 6



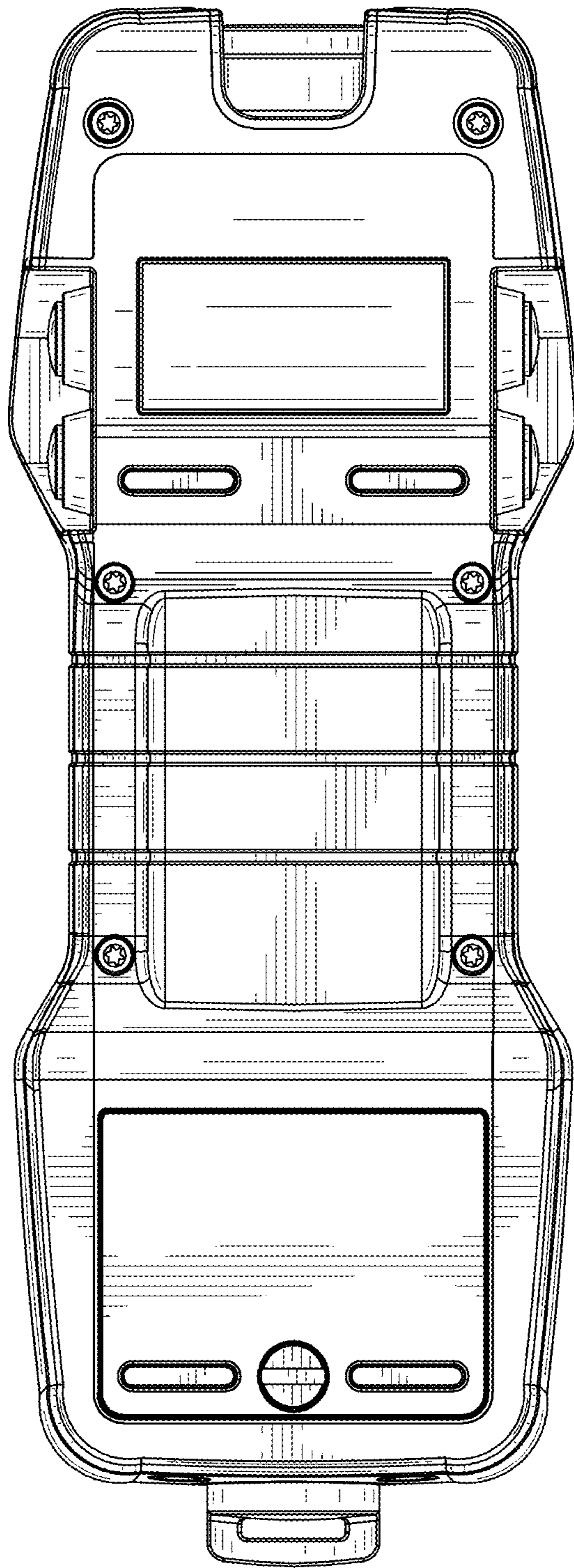


FIG. 7

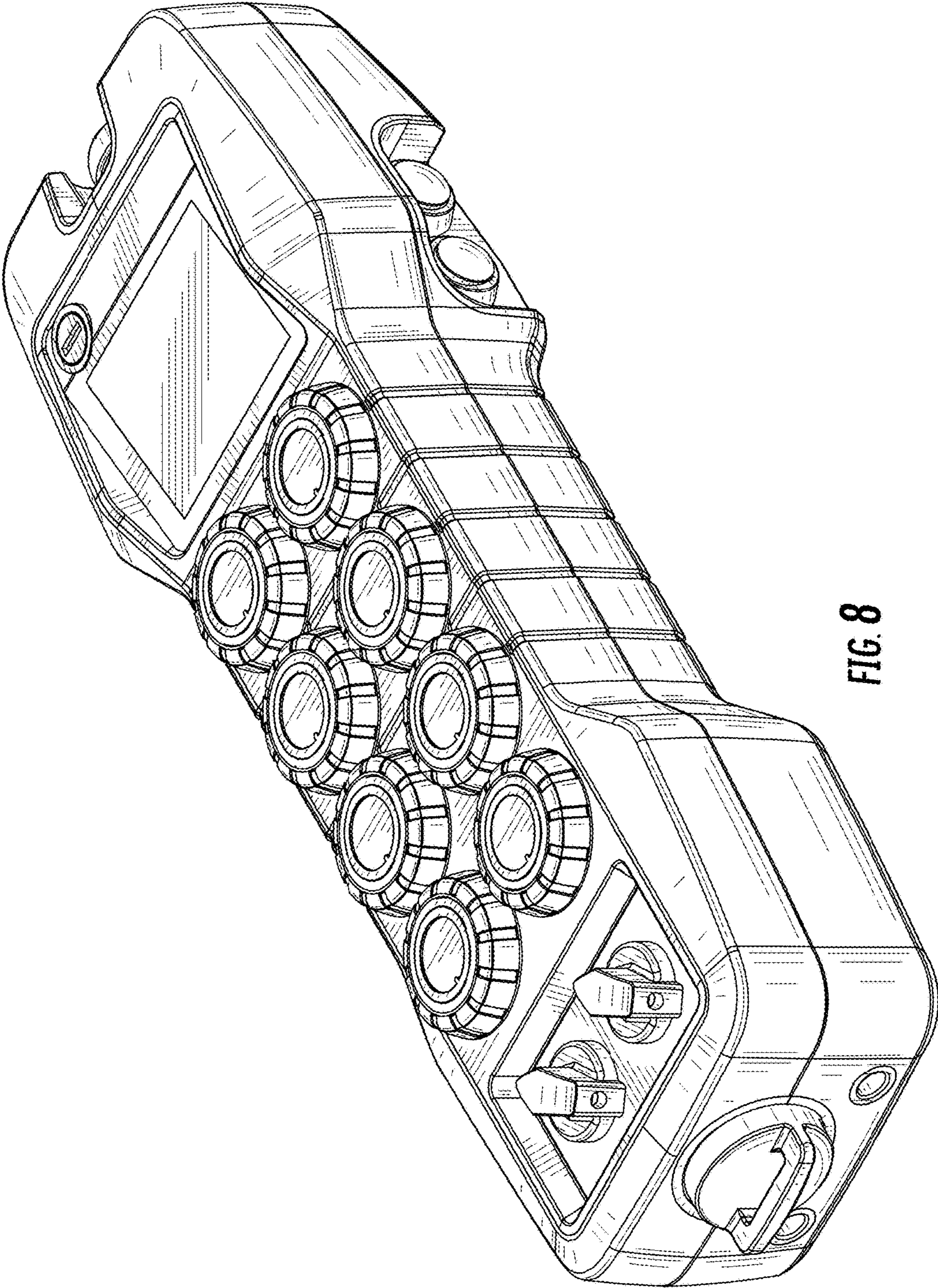
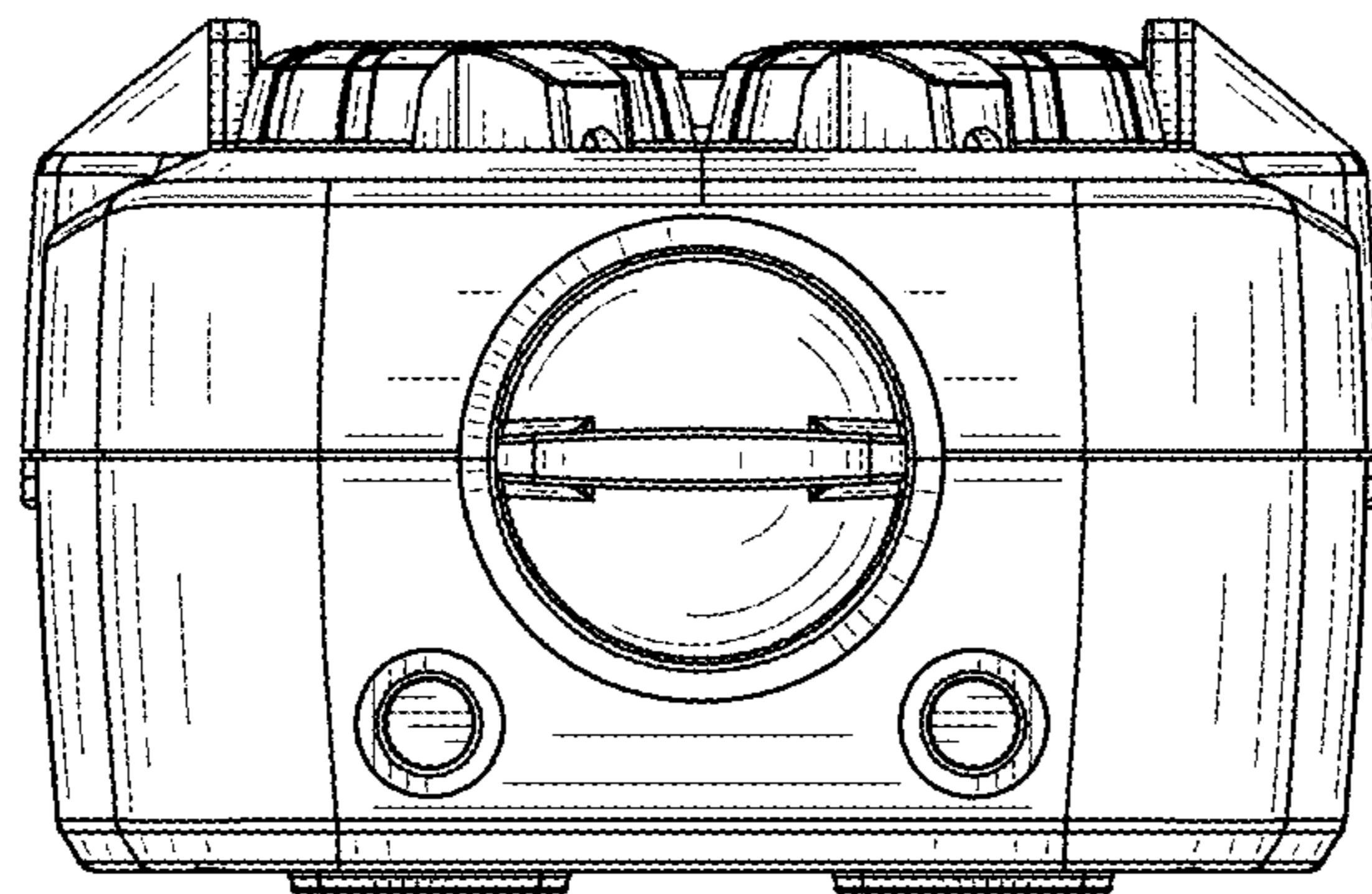


FIG. 8



**FIG. 9**



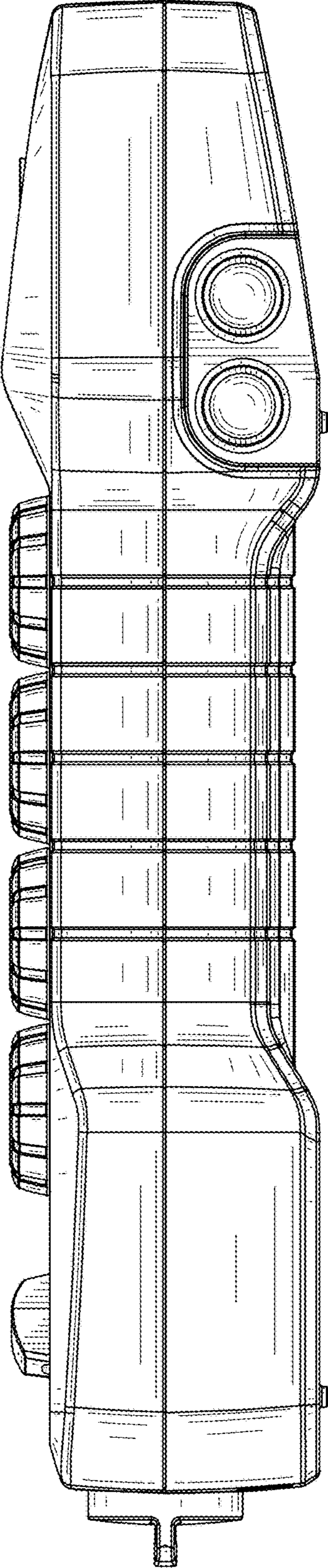
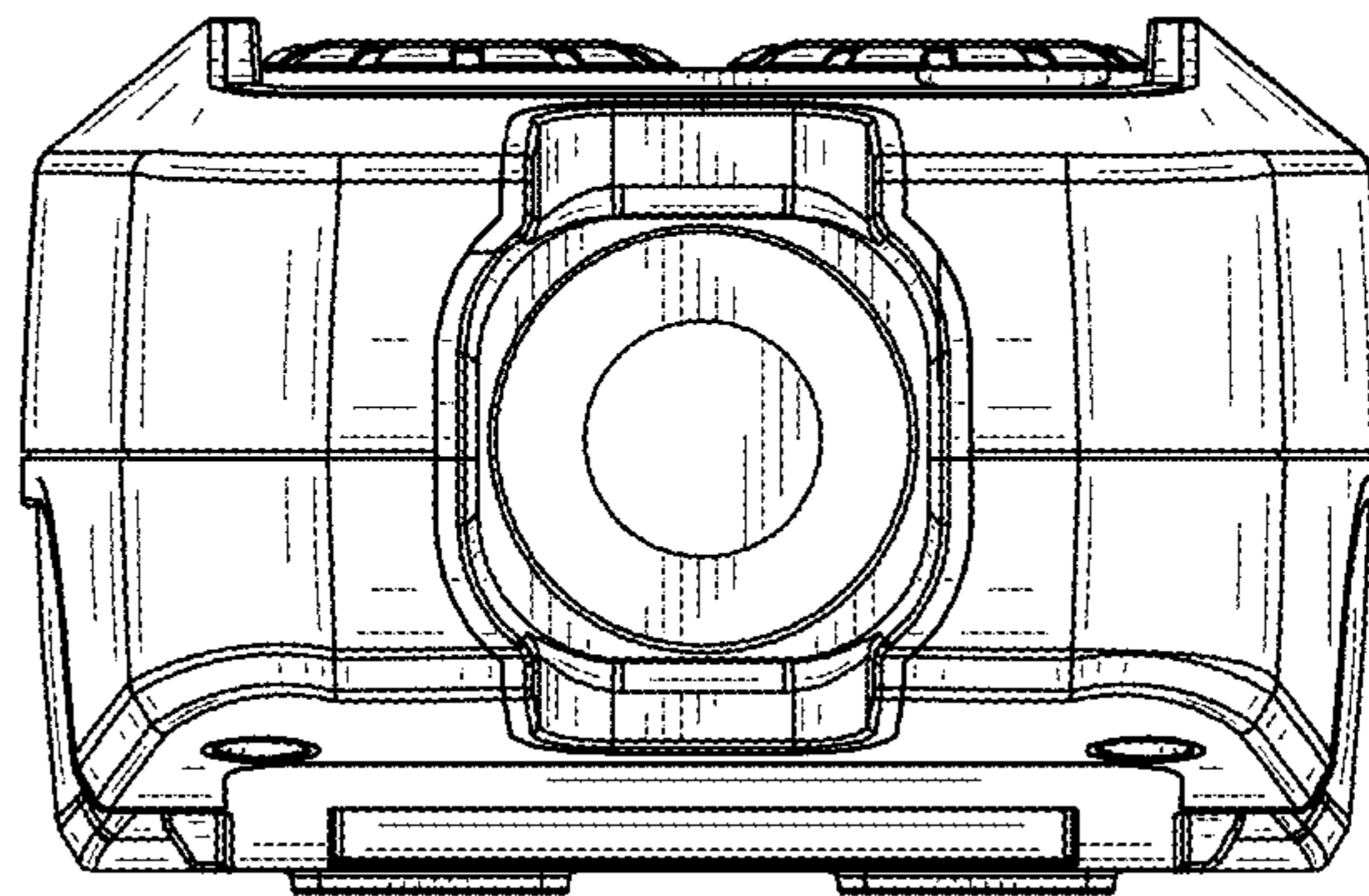


FIG. 10



**FIG. 11**

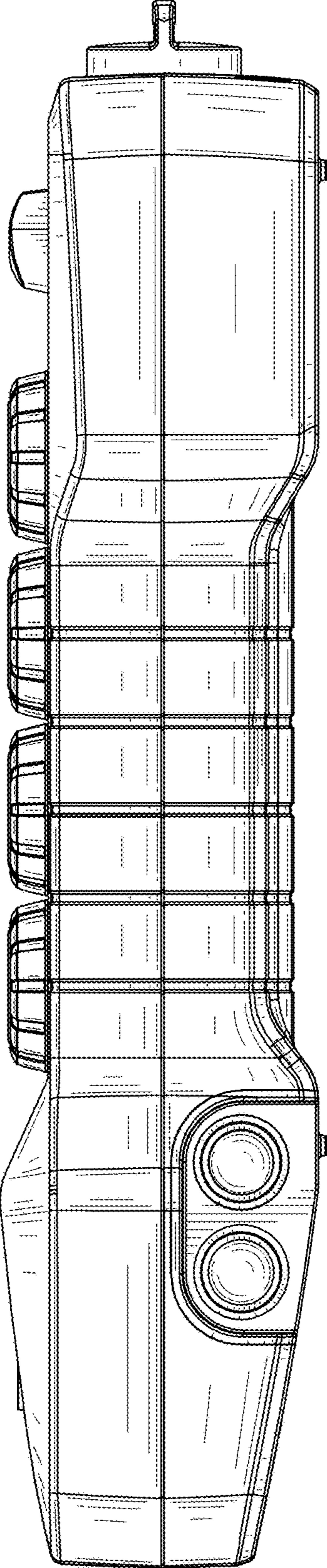


FIG. 12



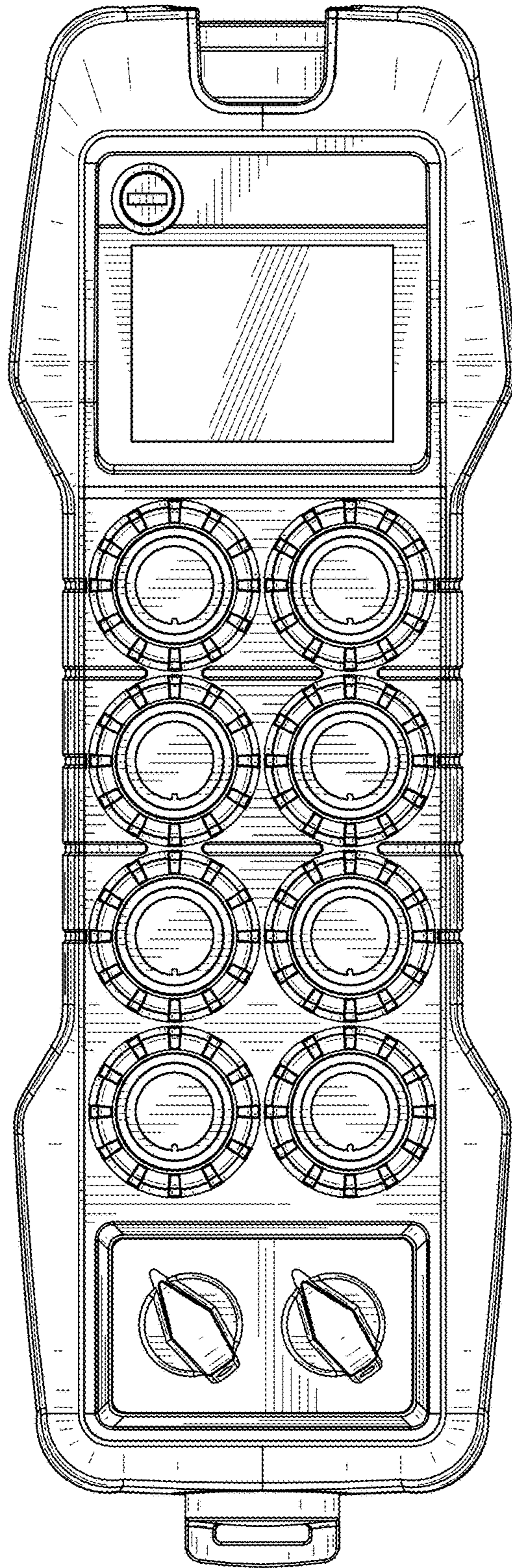


FIG. 13

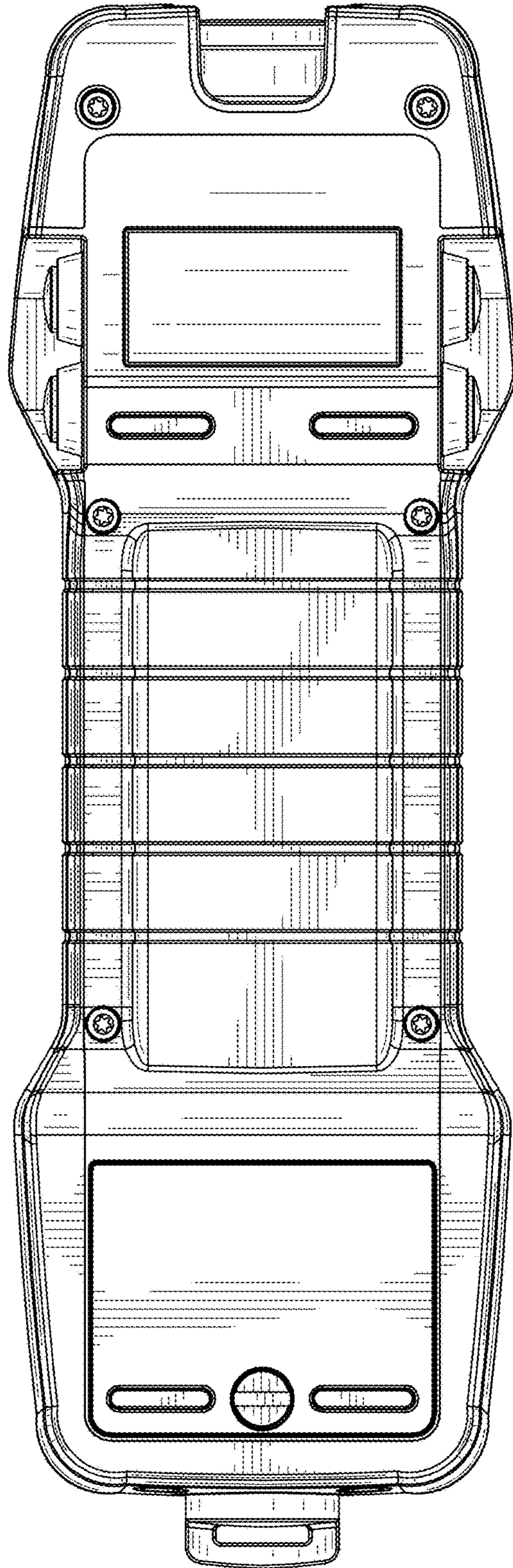


FIG. 14



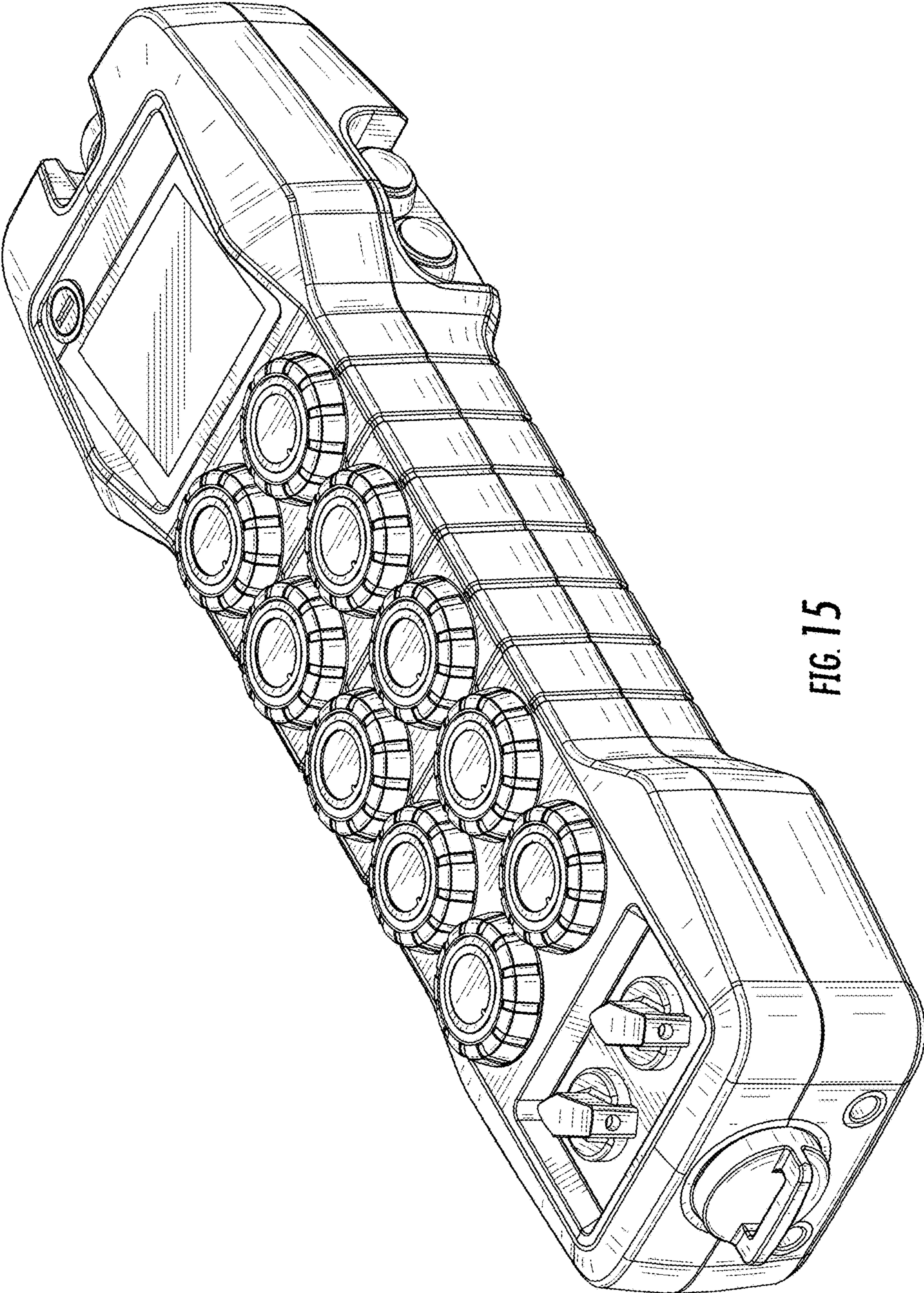
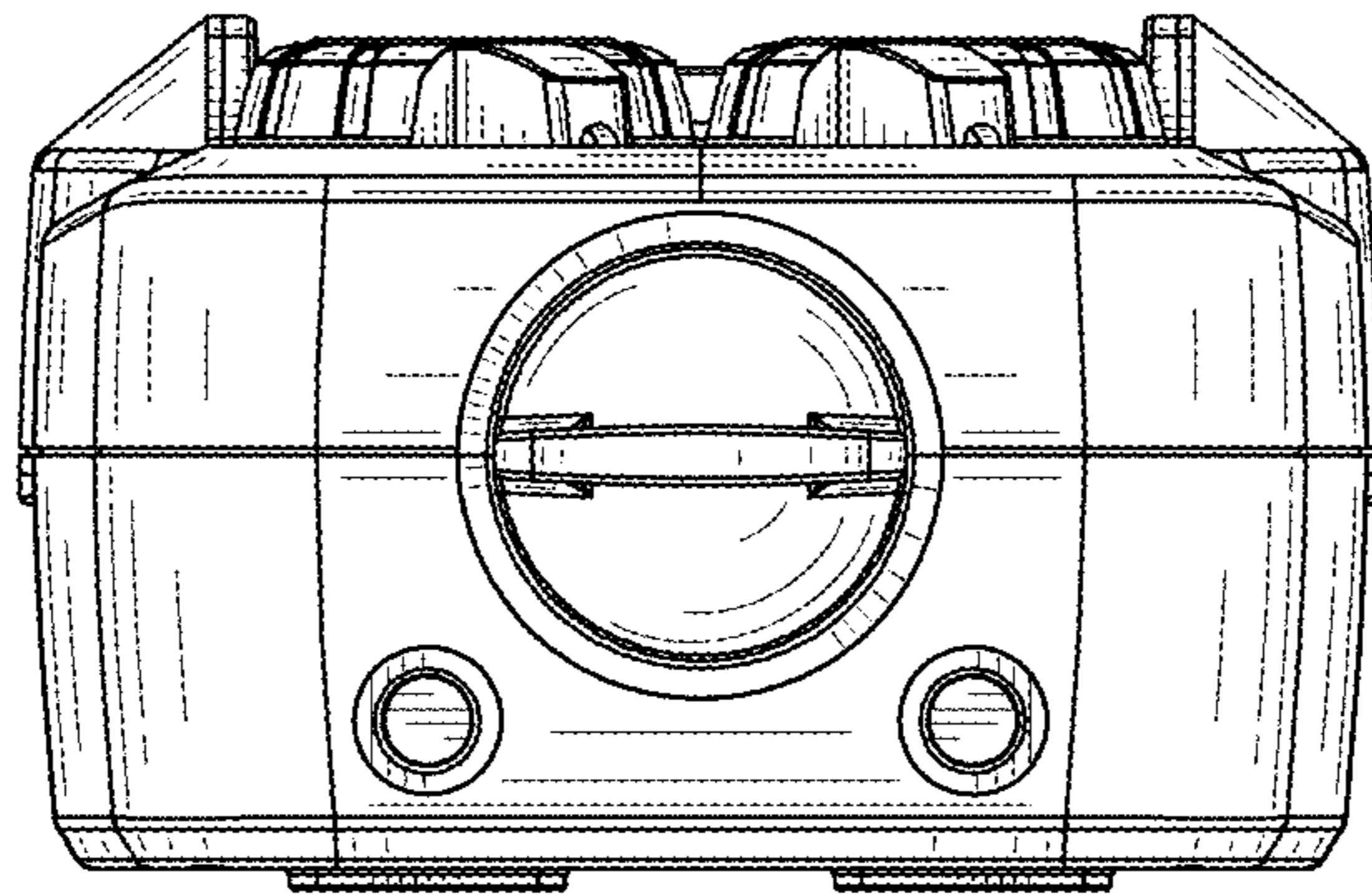


FIG. 15





**FIG. 16**

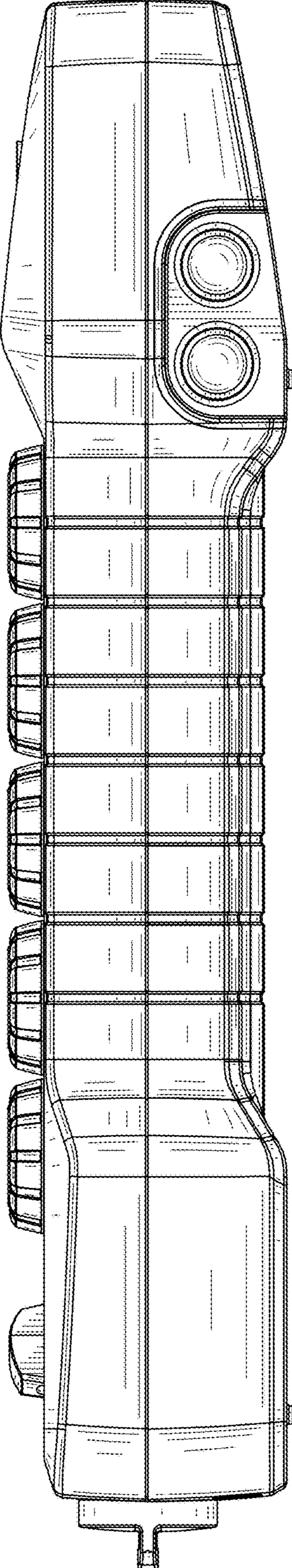
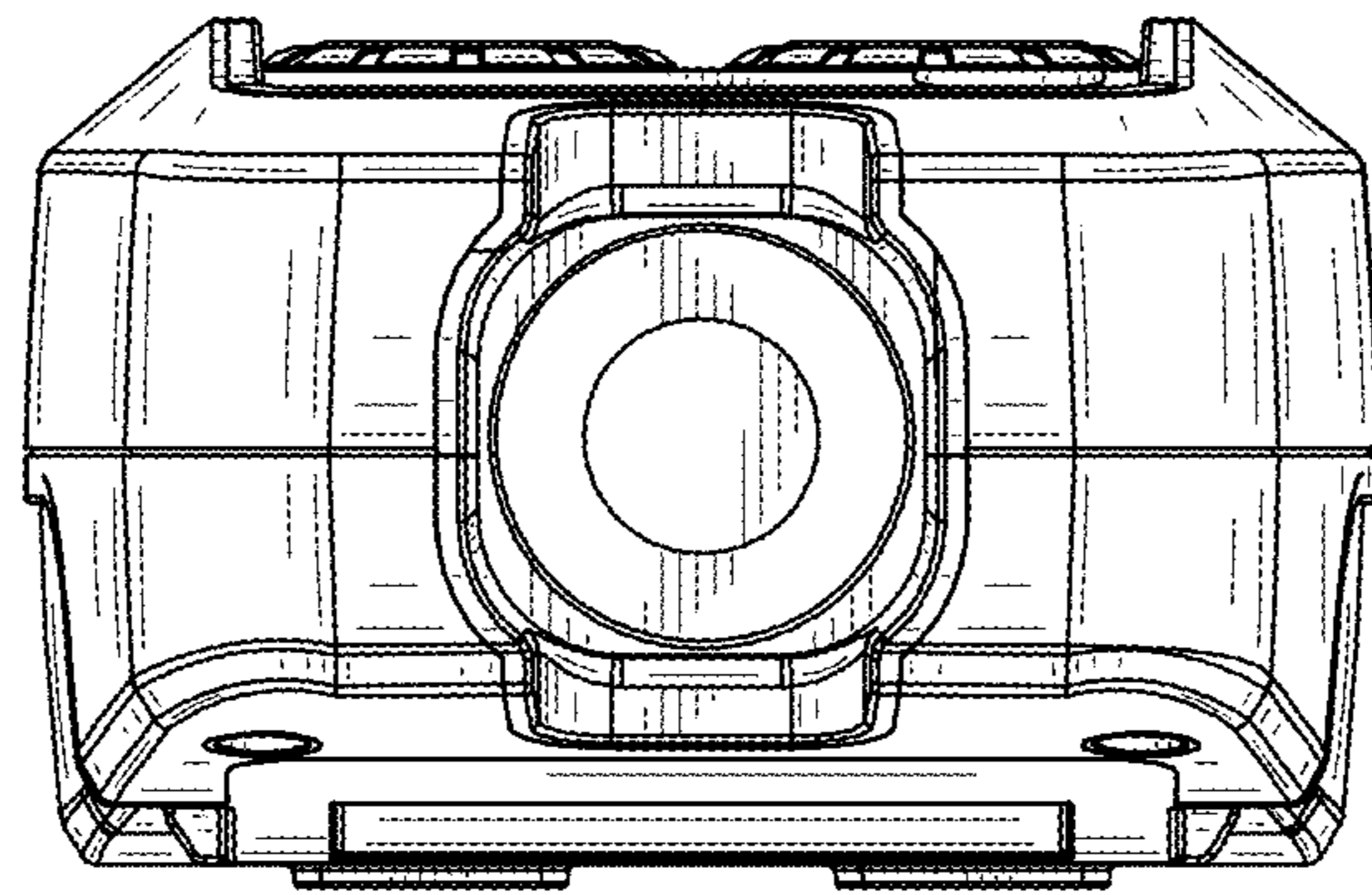


FIG. 17



**FIG. 18**



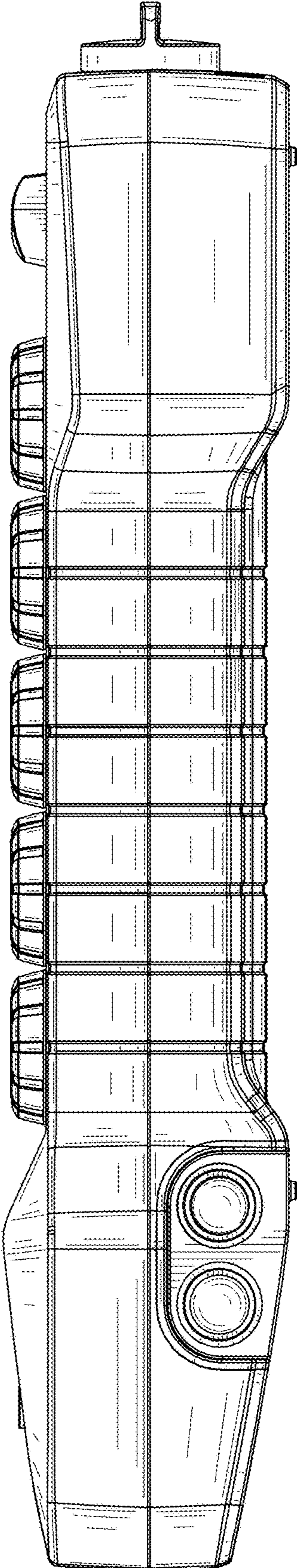


FIG. 19

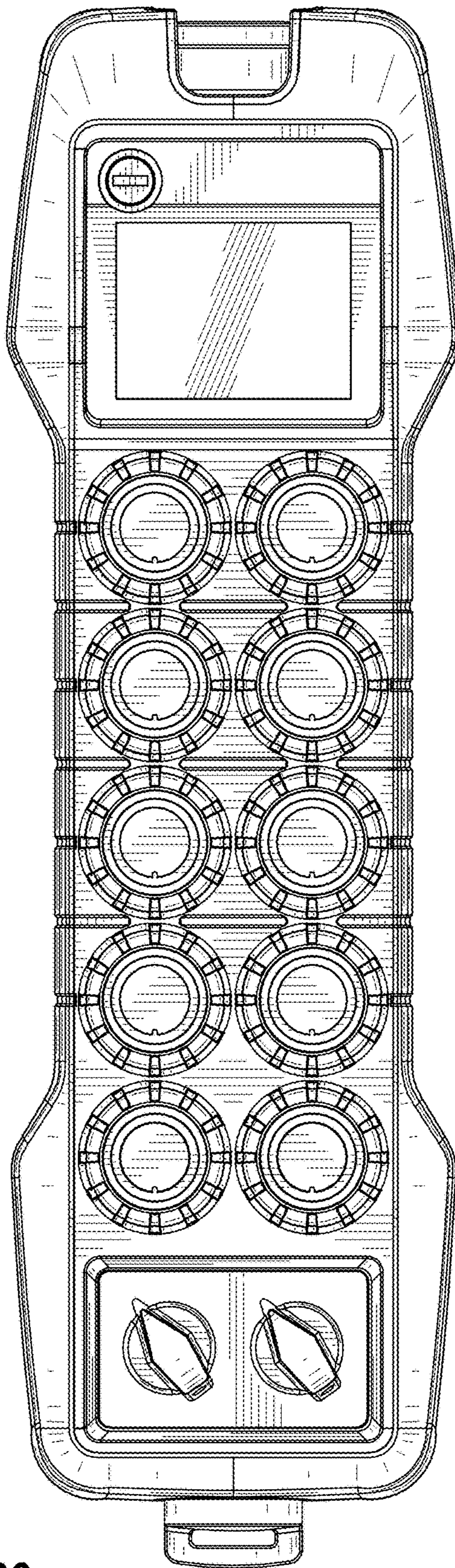


FIG. 20



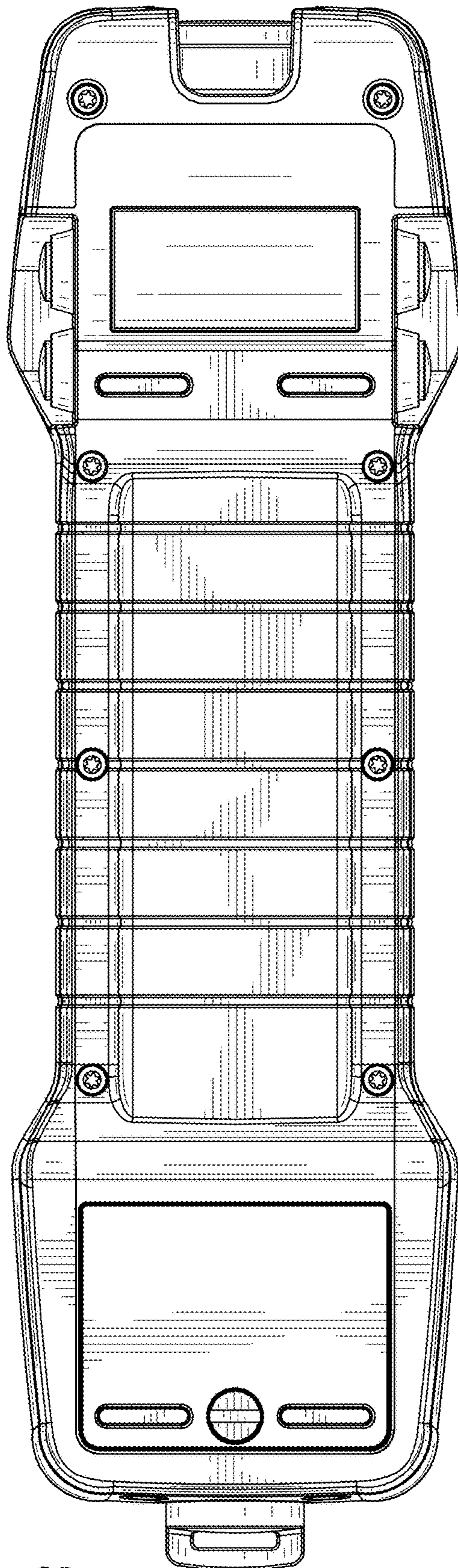


FIG. 21