



US00D808908S

(12) **United States Design Patent**
Paul et al.

(10) **Patent No.:** **US D808,908 S**
(45) **Date of Patent:** **** Jan. 30, 2018**

- (54) **CHASSIS FOR AN ELECTRONIC IRRIGATION CONTROLLER**
- (71) Applicant: **Hunter Industries, Inc.**, San Marcos, CA (US)
- (72) Inventors: **Michael F. Paul**, San Diego, CA (US);
Stephen A. Sharp, San Diego, CA (US)
- (73) Assignee: **Hunter Industries, Inc.**, San Marcos, CA (US)
- (**) Term: **15 Years**
- (21) Appl. No.: **29/586,361**
- (22) Filed: **Dec. 2, 2016**
- (51) **LOC (11) Cl.** **13-03**
- (52) **U.S. Cl.**
USPC **D13/162**
- (58) **Field of Classification Search**
USPC D13/162, 164, 168, 184; D10/50
CPC A01G 25/16; A01G 25/165; A01G 25/167;
H05K 5/0017; G05B 19/02; G05B 19/04;
G05B 19/042; G05B 19/0423; G05B
19/0426; Y10T 137/86389
See application file for complete search history.

D669,036 S *	10/2012	Apruzzese	D13/164
D689,441 S *	9/2013	Kah, Jr.	D13/162
8,867,194 B2 *	10/2014	Woytowitz	H05K 5/0017 361/600
8,868,246 B2 *	10/2014	Thornton	A01G 25/16 307/109
D777,682 S *	1/2017	Miller	D13/164
9,538,713 B2 *	1/2017	Pearson	A01G 25/16
9,577,415 B1 *	2/2017	Veloskey	H02G 3/14
9,678,485 B2 *	6/2017	Malaugh	G05B 13/02
D797,682 S *	9/2017	Sharp	D13/162
2006/0030971 A1 *	2/2006	Nelson	A01G 25/165 700/284
2008/0058964 A1 *	3/2008	Nickerson	A01G 25/16 700/19
2008/0071426 A1 *	3/2008	Perez	A01G 25/16 700/284
2014/0018965 A1 *	1/2014	Pearson	A01G 25/16 700/284

* cited by examiner

Primary Examiner — Selina Sikder

(74) *Attorney, Agent, or Firm* — Knobbe, Martens, Olson & Bear, LLP

(57) **CLAIM**

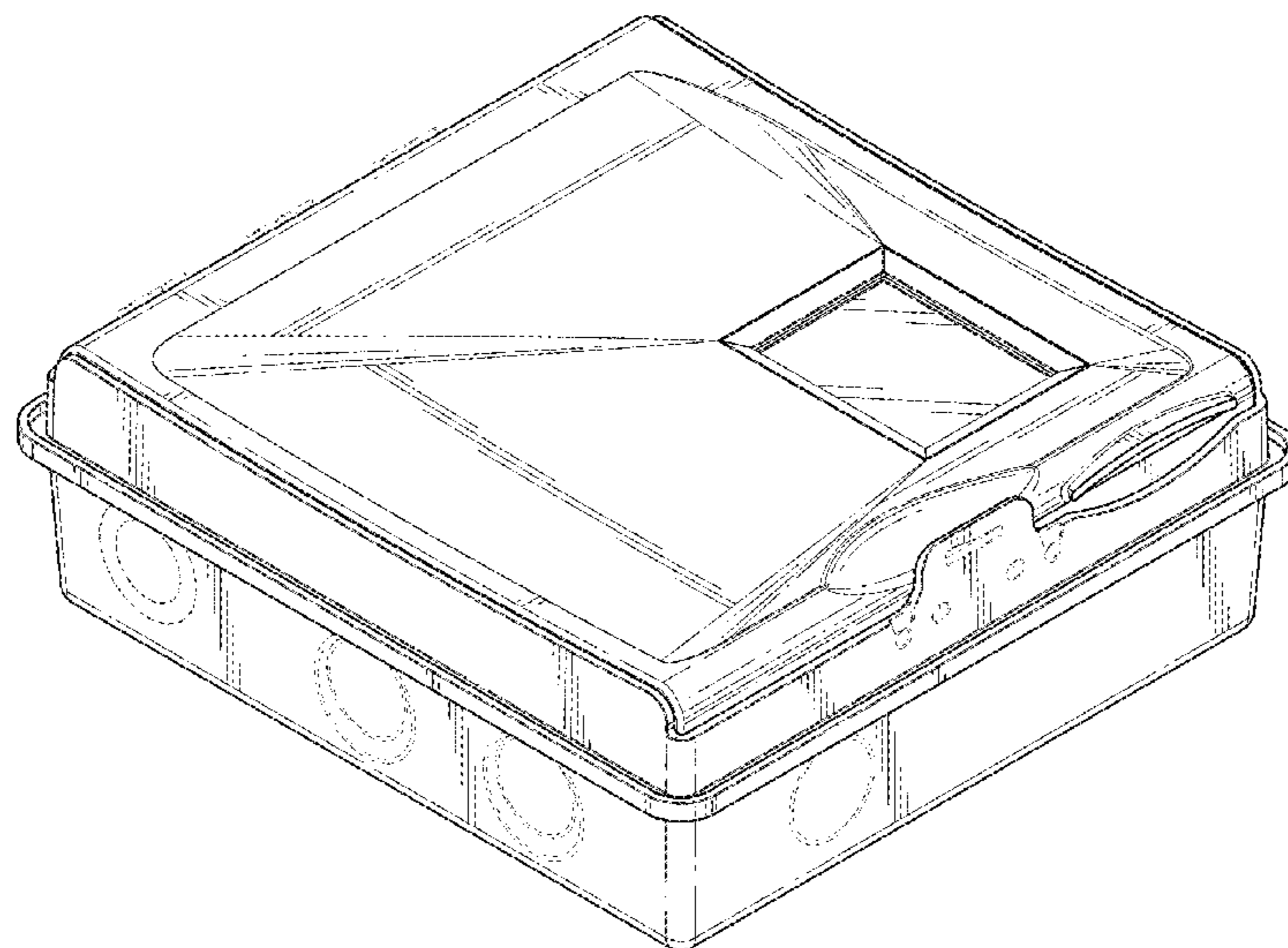
The ornamental design for a chassis for an electronic irrigation controller, as shown and described.

DESCRIPTION

FIG. 1 is a front perspective view of a chassis for an electronic irrigation controller showing our new design.
 FIG. 2 is a front elevational view thereof.
 FIG. 3 is a rear elevational view thereof.
 FIG. 4 is a top plan view thereof.
 FIG. 5 is a bottom plan view thereof.
 FIG. 6 is a left-side elevational view thereof; and,
 FIG. 7 is a right-side elevational view thereof.
 Broken lines throughout the drawings indicate environmental elements that form no part of the claimed design.

1 Claim, 4 Drawing Sheets

- (56) **References Cited**
U.S. PATENT DOCUMENTS
- D291,974 S * 9/1987 Fenne D10/50
- D580,373 S * 11/2008 Stange D13/162
- D581,880 S * 12/2008 Neitzel D13/162
- 7,574,285 B2 * 8/2009 Kah, Jr. A01G 25/16
137/624.11
- 7,613,546 B2 * 11/2009 Nelson A01G 25/165
239/63
- 7,772,726 B1 * 8/2010 Porter A01G 25/165
307/326



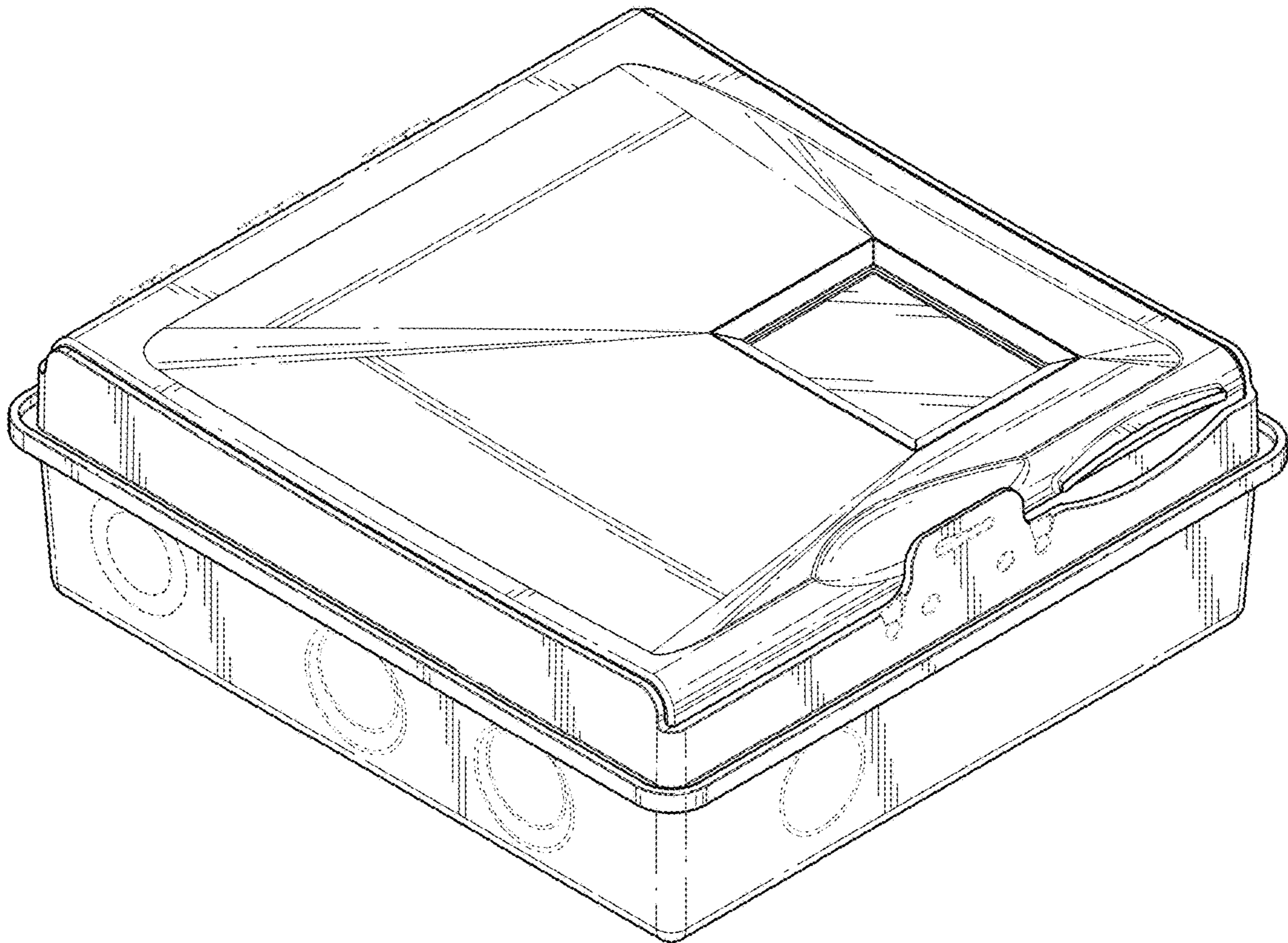


FIG. 1

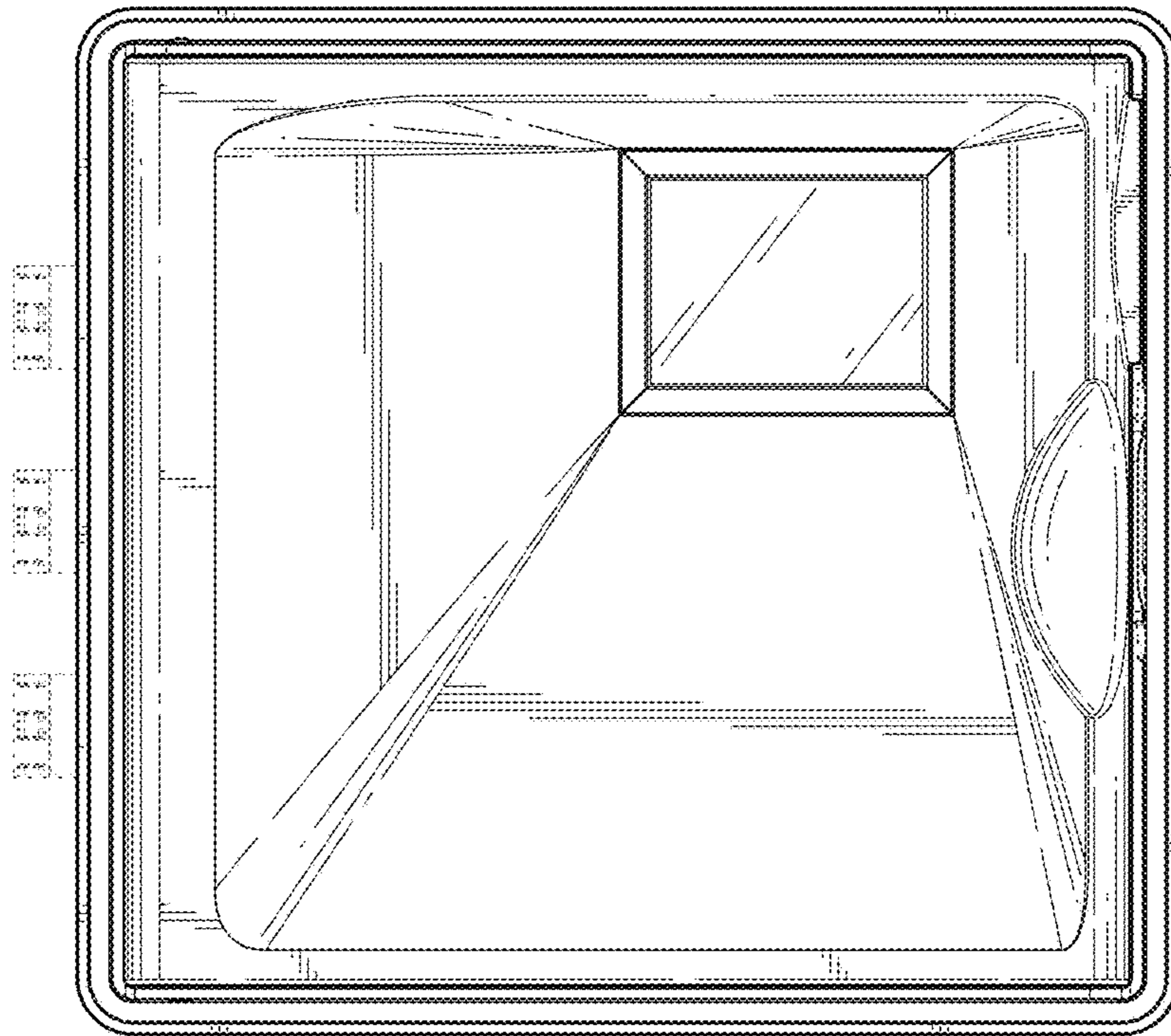


FIG. 2

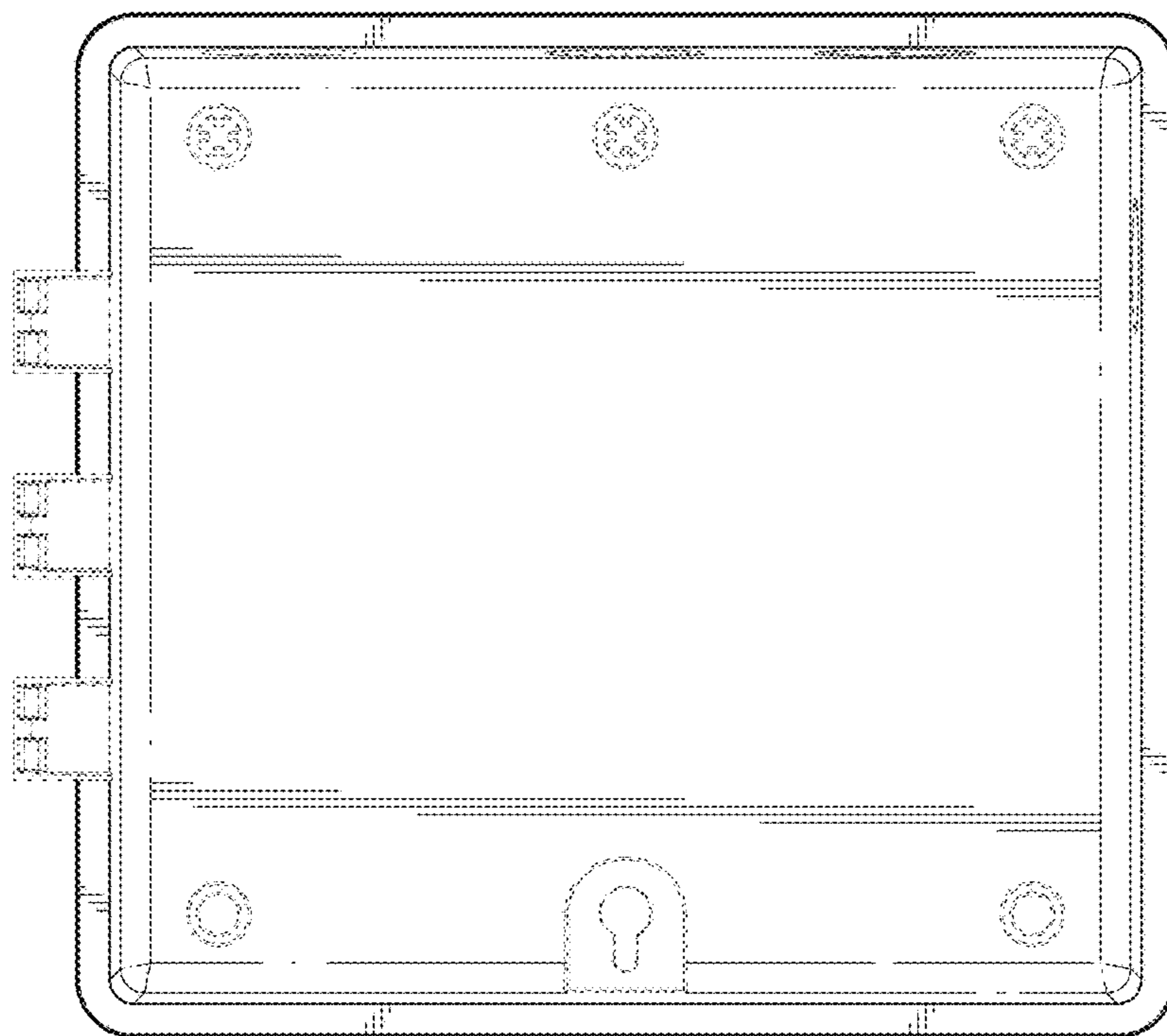


FIG. 3

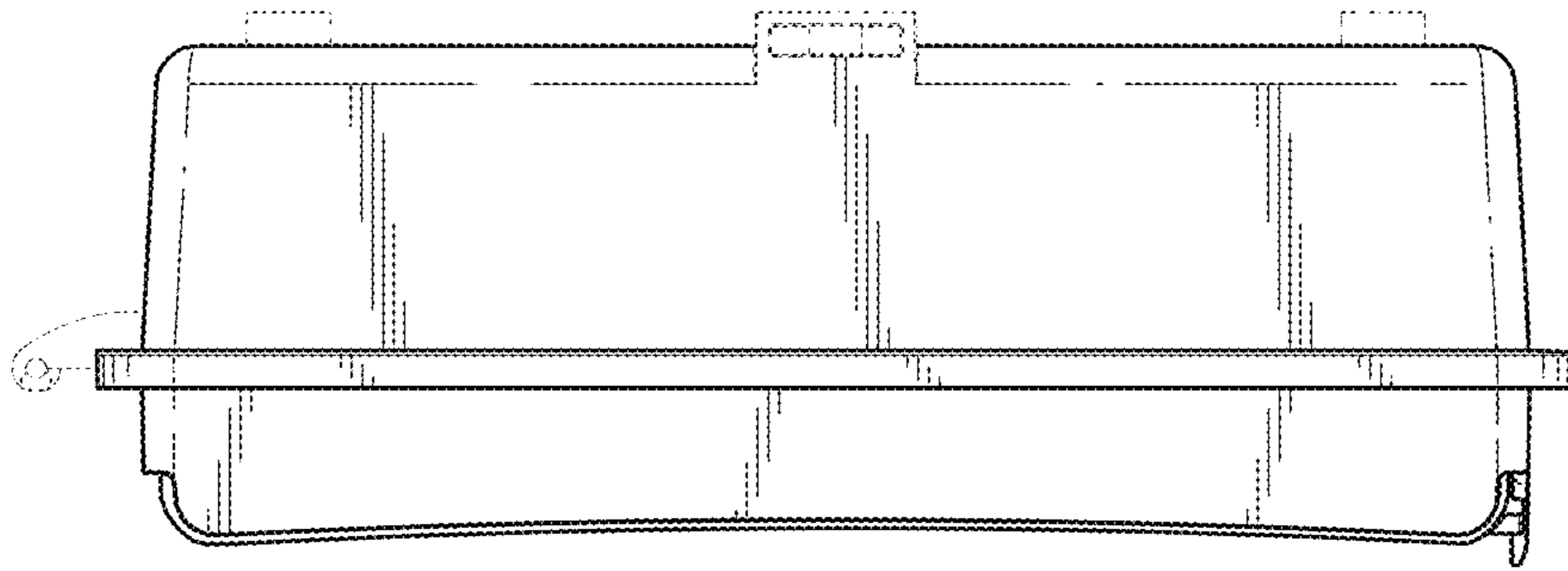


FIG. 4

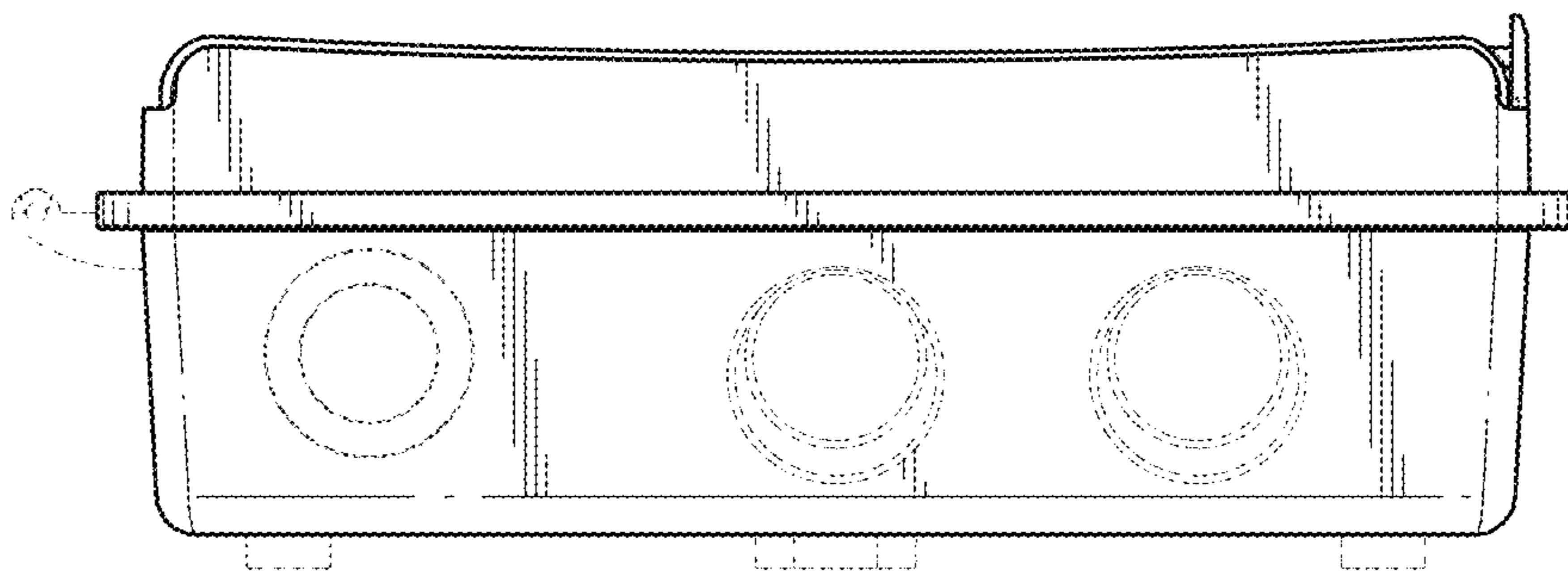


FIG. 5

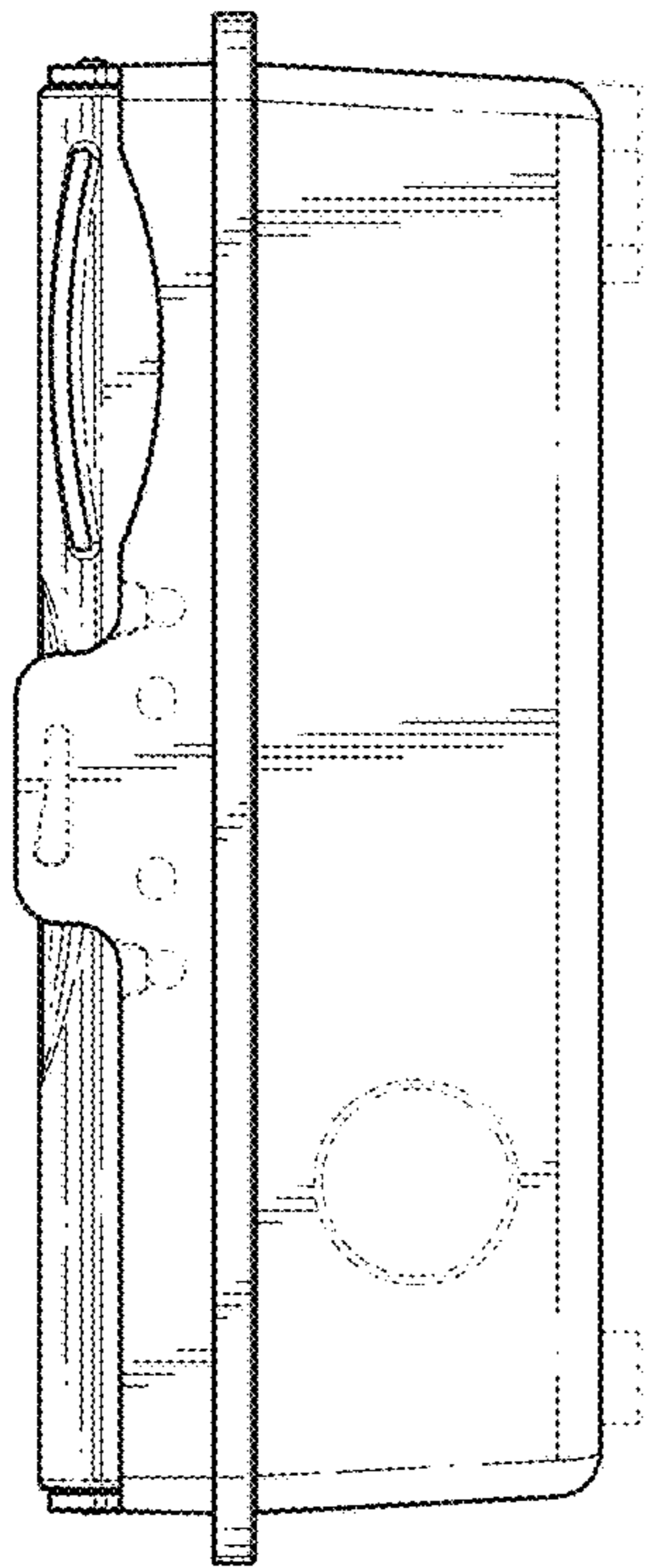


FIG. 6

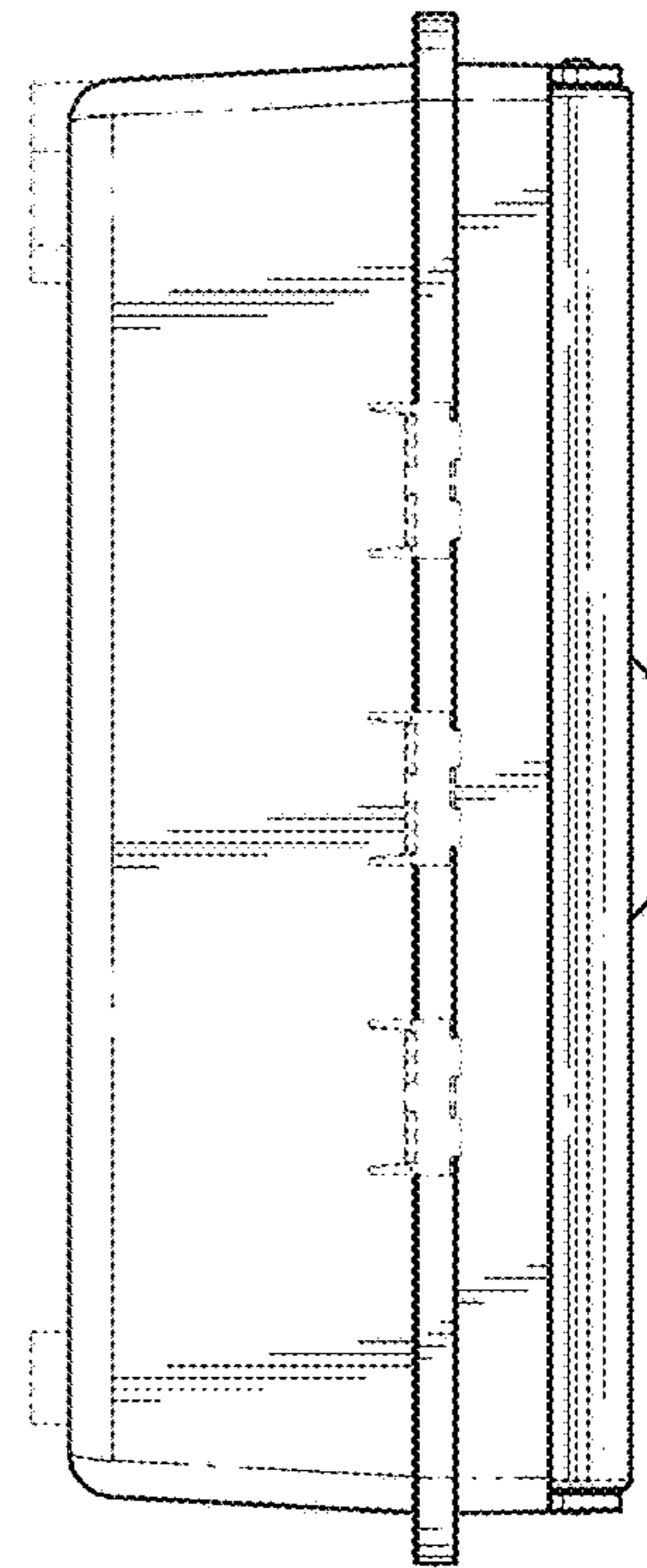


FIG. 7