



US00D808906S

(12) **United States Design Patent**
Tinaphong et al.

(10) **Patent No.:** **US D808,906 S**
(45) **Date of Patent:** **** Jan. 30, 2018**

(54) **HOUSING FOR AN AUXILIARY POWER
OUTLET**

(71) Applicant: **VOXX International Corporation**,
Hauppauge, NY (US)

(72) Inventors: **Prapan Paul Tinaphong**, Carmel, IN
(US); **Henry D. Caskey**, Cicero, IN
(US)

(73) Assignee: **VOXX International Corporation**,
Hauppauge, NY (US)

(**) Term: **15 Years**

(21) Appl. No.: **29/580,804**

(22) Filed: **Oct. 13, 2016**

(51) **LOC (11) Cl.** **13-03**

(52) **U.S. Cl.**
USPC **D13/137.2**

(58) **Field of Classification Search**
USPC D13/108–110, 133, 137.1–137.4,
D13/138.1–138.2, 139.1–139.8, 152–154,
D13/156, 173, 177, 151, 146, 147, 107;
D14/433, 435.1, 432; D8/350–353, 331,
D8/396, 398, 399, 382, 383, 387, 393
CPC H01R 25/00; H01R 25/006; H01R 25/003;
H01R 9/00; H01R 11/00; H01R 13/46;
H01R 13/62; H01R 13/639; H01R
13/6392; H02J 2007/0062; H02G 3/14
See application file for complete search history.

(56) **References Cited**

U.S. PATENT DOCUMENTS

6,642,450 B1 * 11/2003 Hsiao H01R 25/006
174/480
6,897,379 B1 * 5/2005 Hsiao H01H 9/0214
174/480
D562,763 S * 2/2008 Kingston D13/108

D567,171 S * 4/2008 Yu D13/110
D617,268 S * 6/2010 Yen D13/108
7,771,239 B1 8/2010 Hsiao 439/640
D654,021 S * 2/2012 Sweeney D13/110
D693,297 S * 11/2013 Inskeep D13/103
D700,892 S * 3/2014 Segnit D13/137.2
D770,976 S * 11/2016 Xu D13/110

OTHER PUBLICATIONS

Amazon.com: Tripp Lite 6 Rotatable Outlet Surge Protector/Sup-
pressor. Published Jul. 7, 2008. Retrieved from the internet at
<<https://www.amazon.com/Tripp-Lite-Rotatable-Suppressor-SWIVEL6/dp/B000UD3NTC>>, Sep. 18, 2017. 1 page.*

(Continued)

Primary Examiner — Rosemary K Tarcza

Assistant Examiner — Christy Nemeth

(74) *Attorney, Agent, or Firm* — Bodner & O'Rourke,
LLP; Gerald T. Bodner; Christian P. Bodner

(57) **CLAIM**

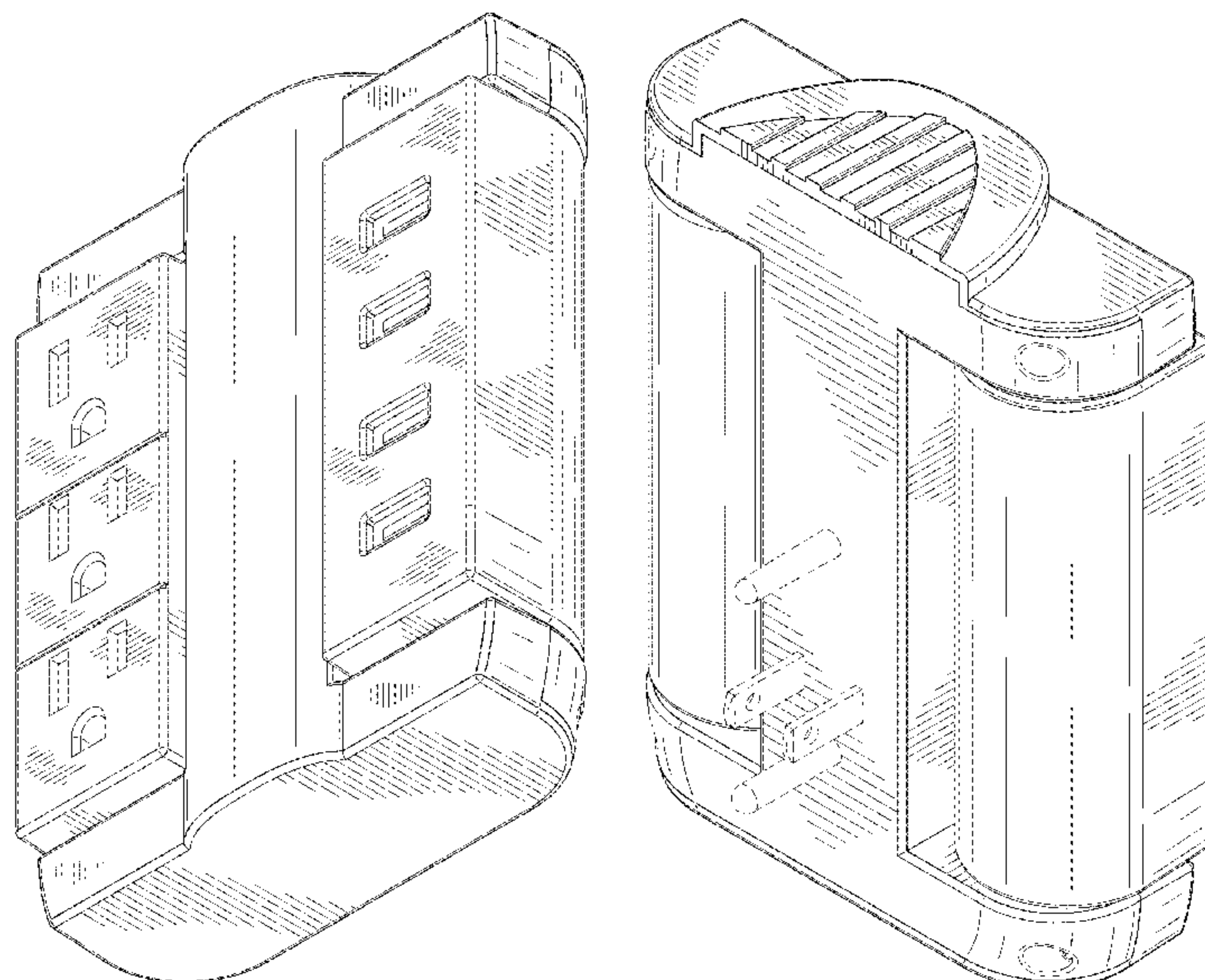
The ornamental design for a housing for an auxiliary power
outlet, as shown and described.

DESCRIPTION

FIG. 1 is a bottom front perspective view of a housing for
an auxiliary power outlet showing our new design;
FIG. 2 is a top rear perspective view thereof;
FIG. 3 is a front elevational view thereof;
FIG. 4 is a rear elevational view thereof;
FIG. 5 is a left elevational view thereof;
FIG. 6 is a right elevational view thereof;
FIG. 7 is a top plan view thereof; and,
FIG. 8 is a bottom plan view thereof.

The broken lines in the drawings are for the purpose of
illustrating portions of the housing for an auxiliary power
outlet that form no part of the claimed design.

1 Claim, 6 Drawing Sheets



(56)

References Cited

OTHER PUBLICATIONS

Amazon.com: Globe Electric 6 Outlet Swivel Surge Protector Wall Tap. Published Apr. 6, 2007. Retrieved from the internet at <<https://www.amazon.com/Globe-Electric-Outlet-Protector-7732001/dp/B000GDAX6W/>>, Sep. 18, 2017. 1 page.*

Amazon.com: (selector 40W 8A 5-Port USB. Published May 23, 2015. Retrieved from the internet at <<https://www.amazon.com/Iselector-100-250V-2-Outlet-Protector-Charging/dp/B00W4WWCCQ/>>, Sep. 18, 2017. 1 page.*

* cited by examiner

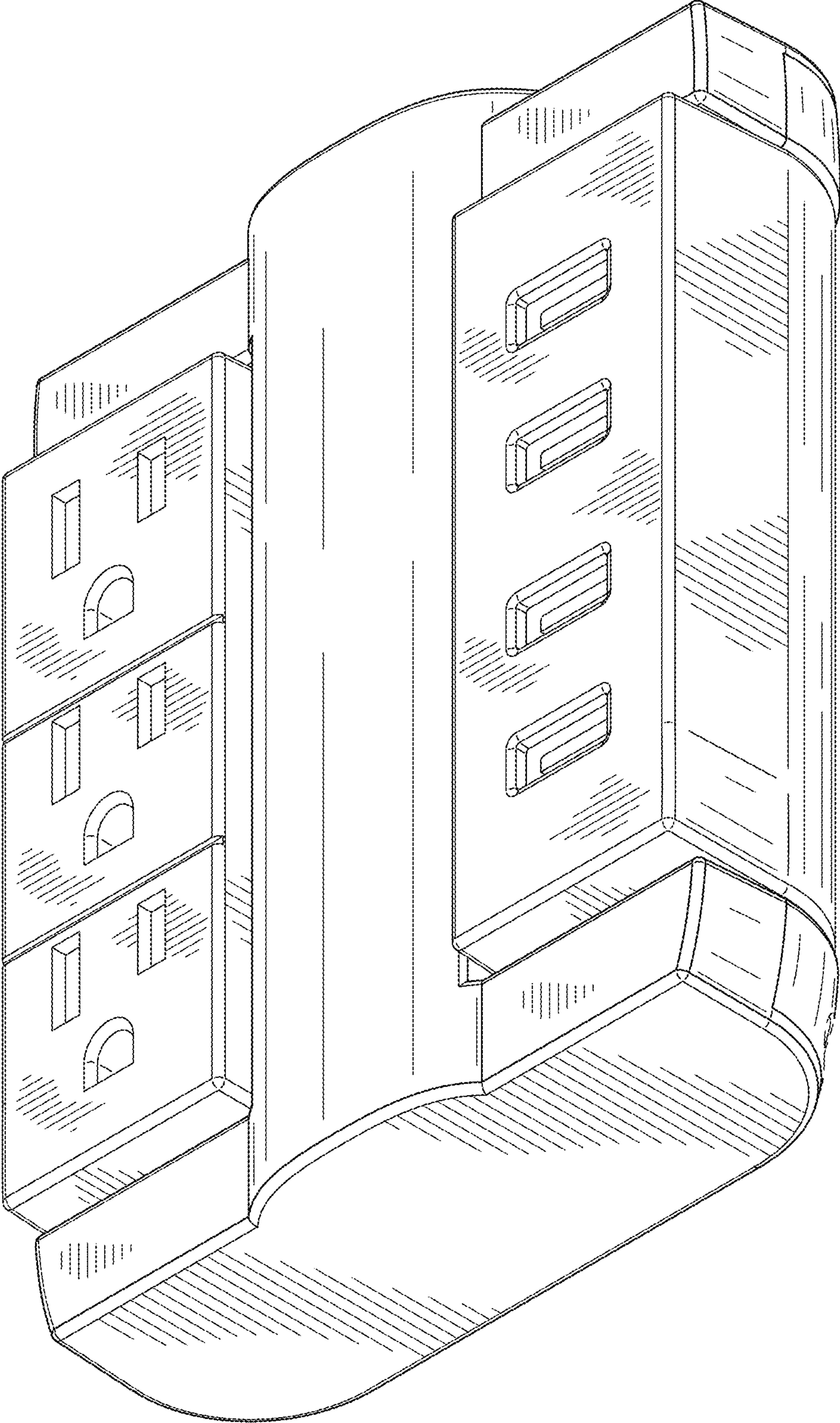


FIG. 1

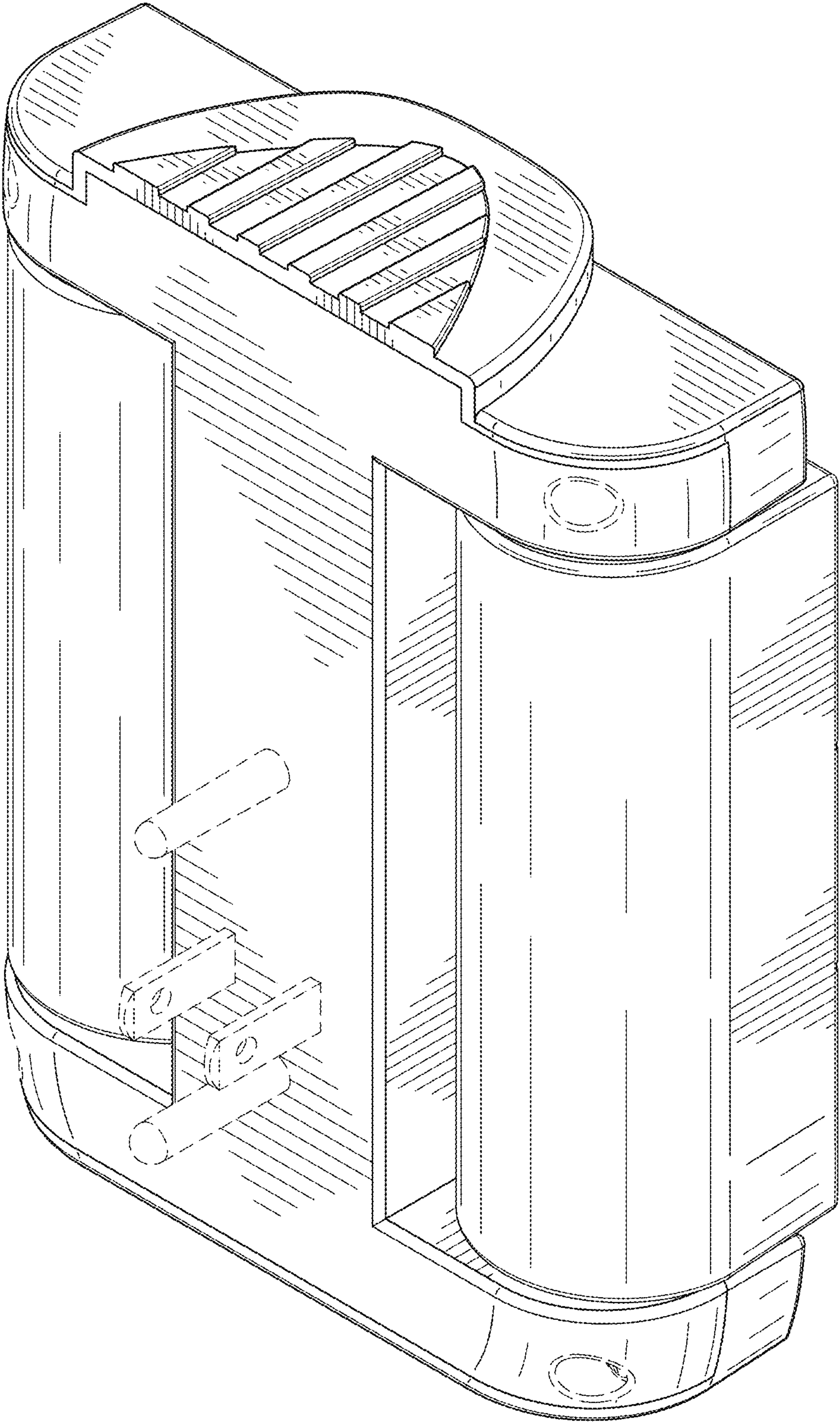


FIG. 2

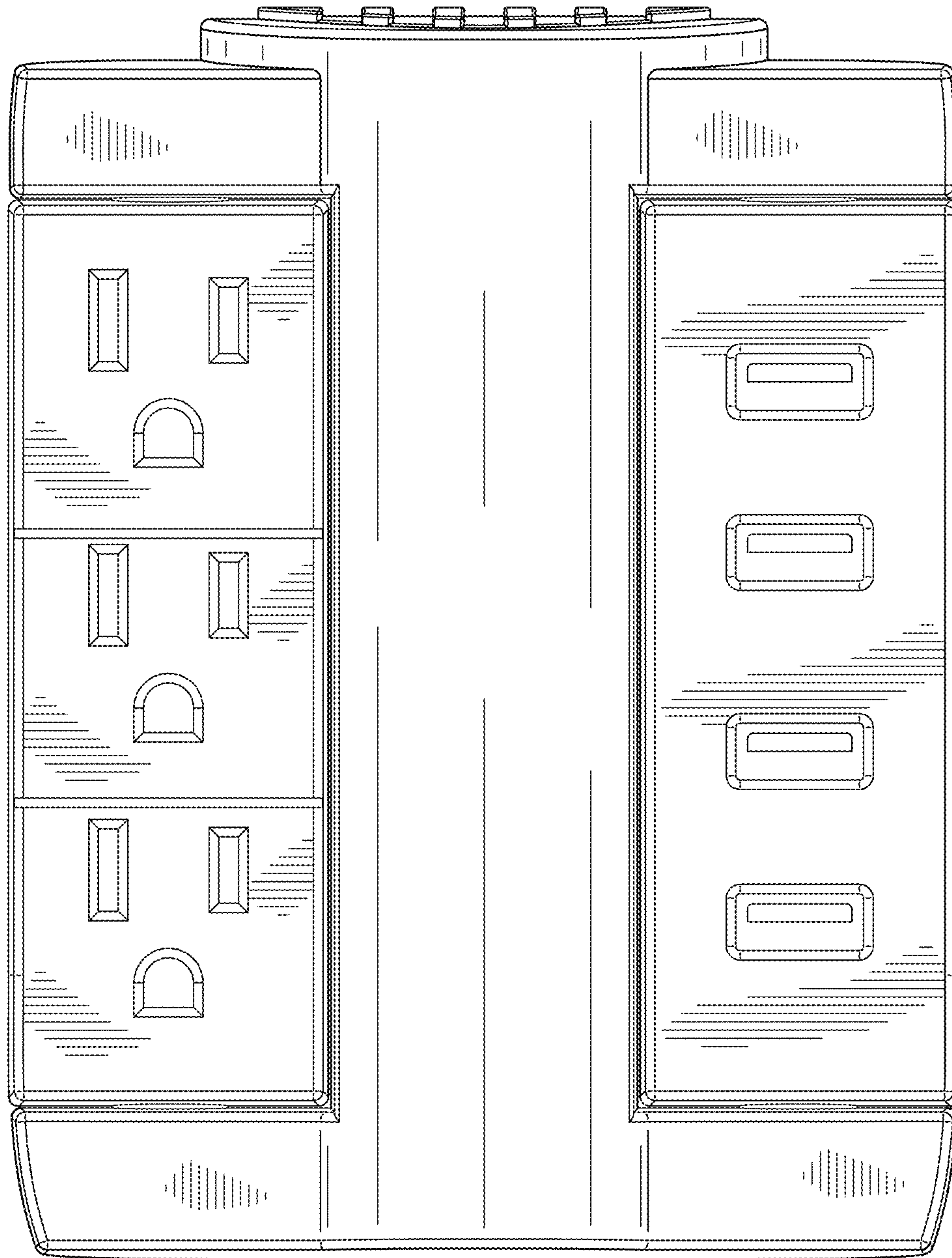


FIG. 3

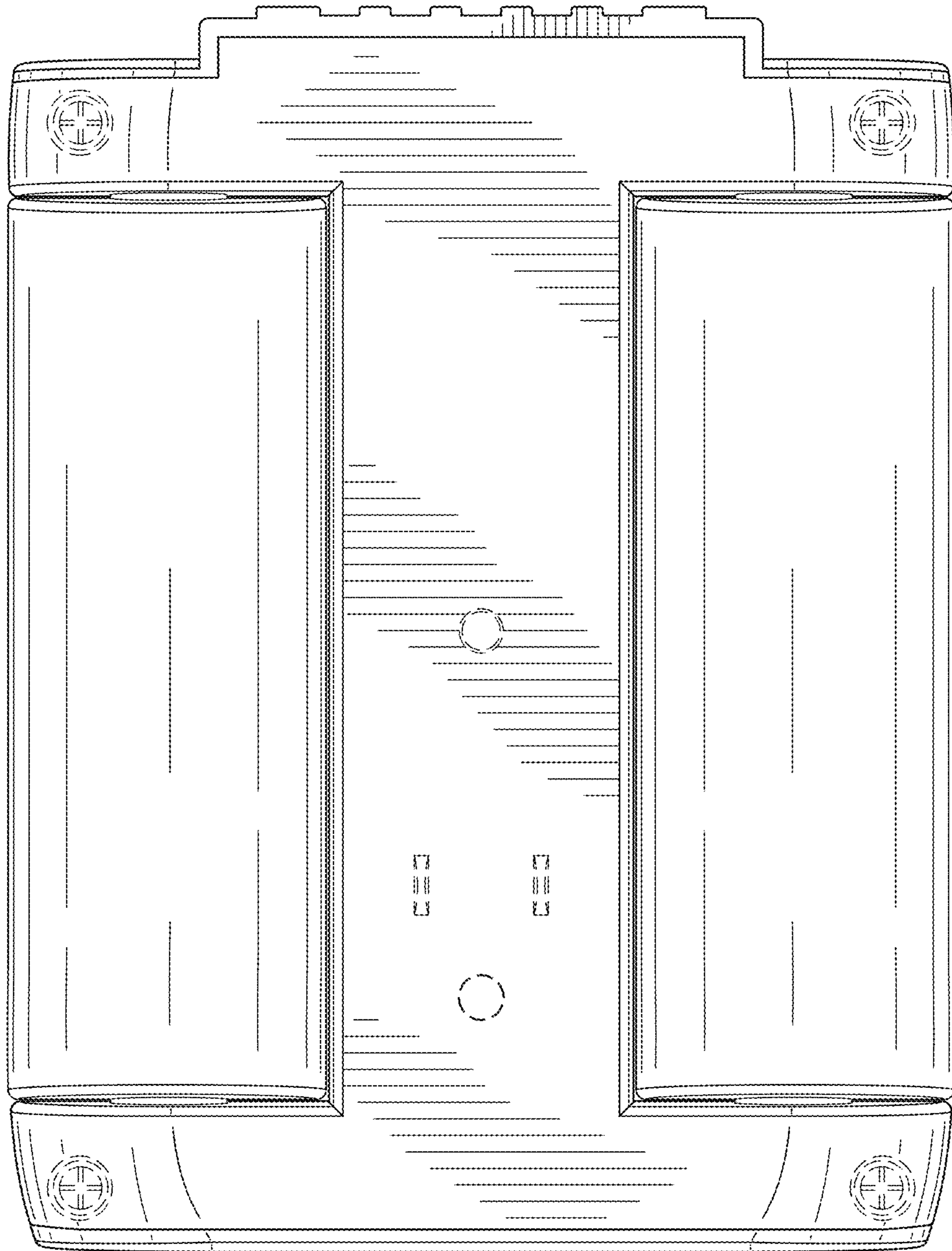


FIG. 4

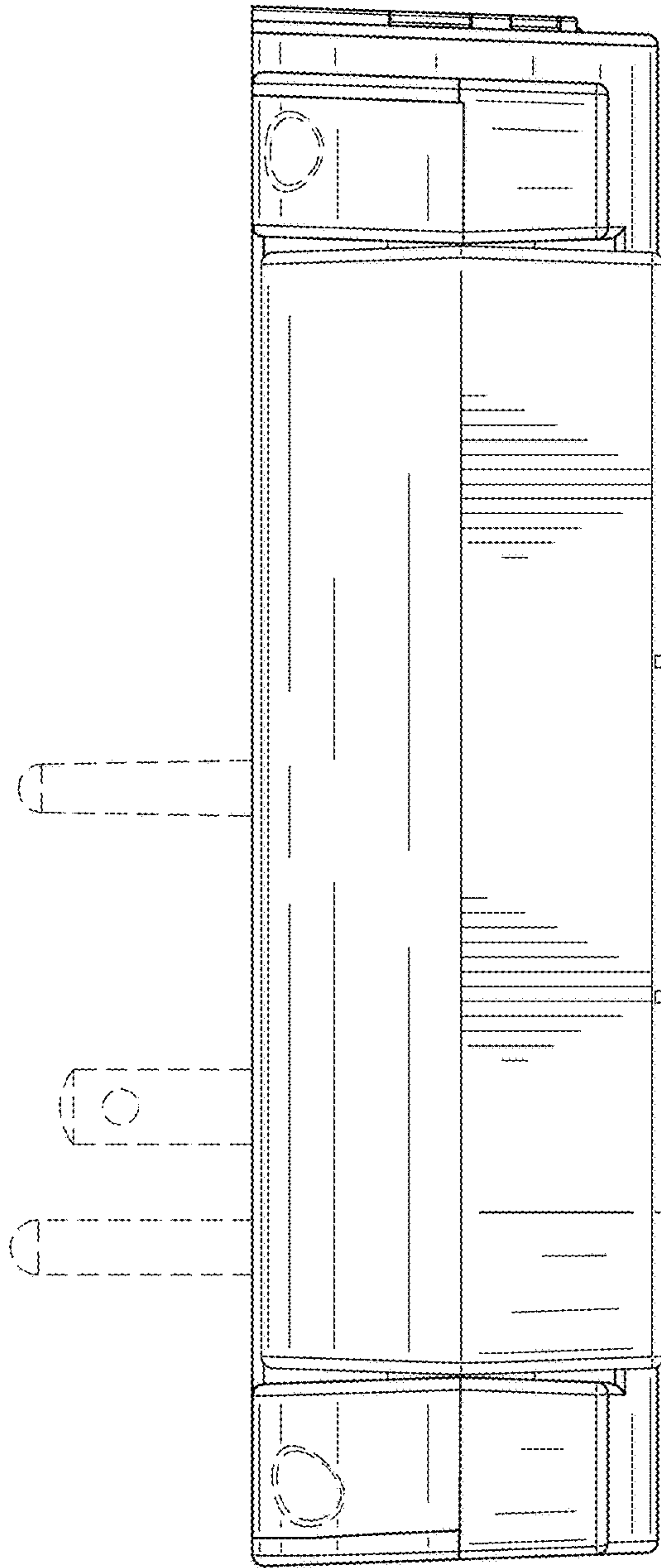


FIG. 5

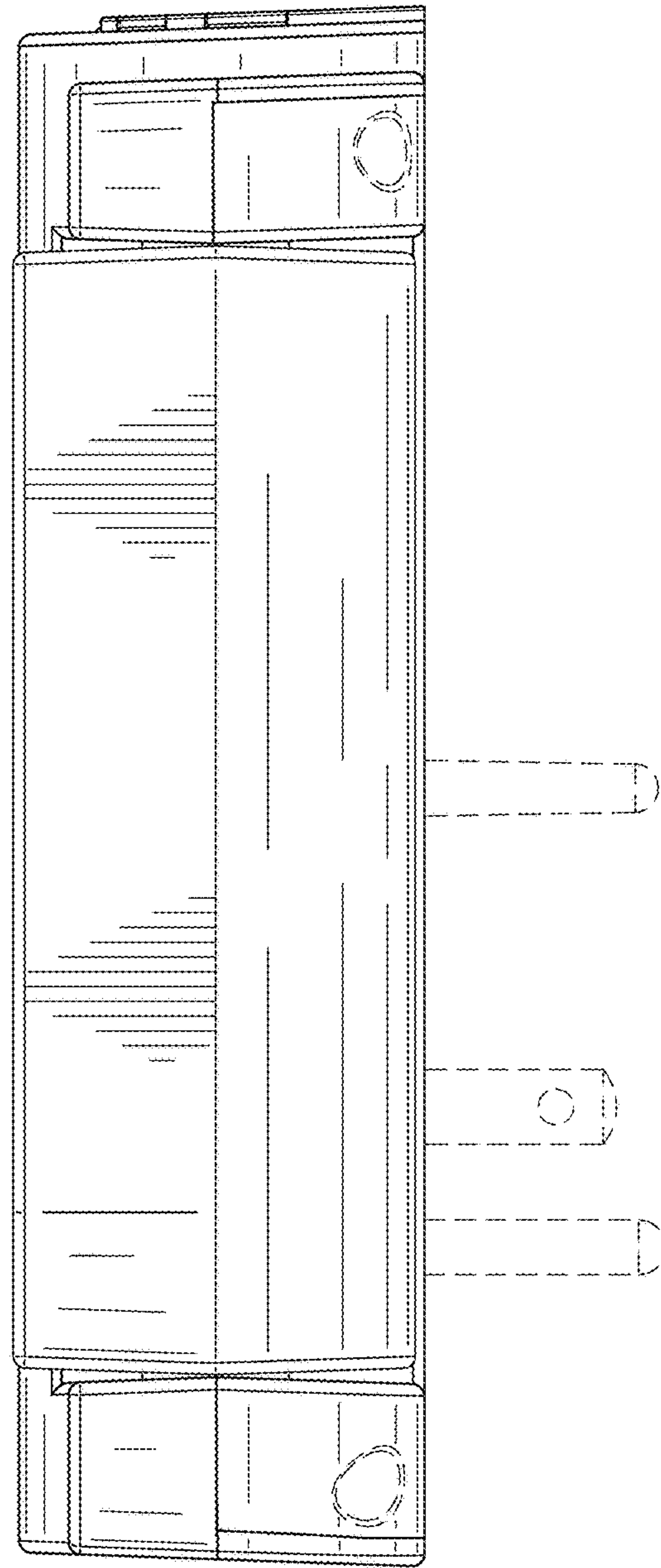


FIG. 6

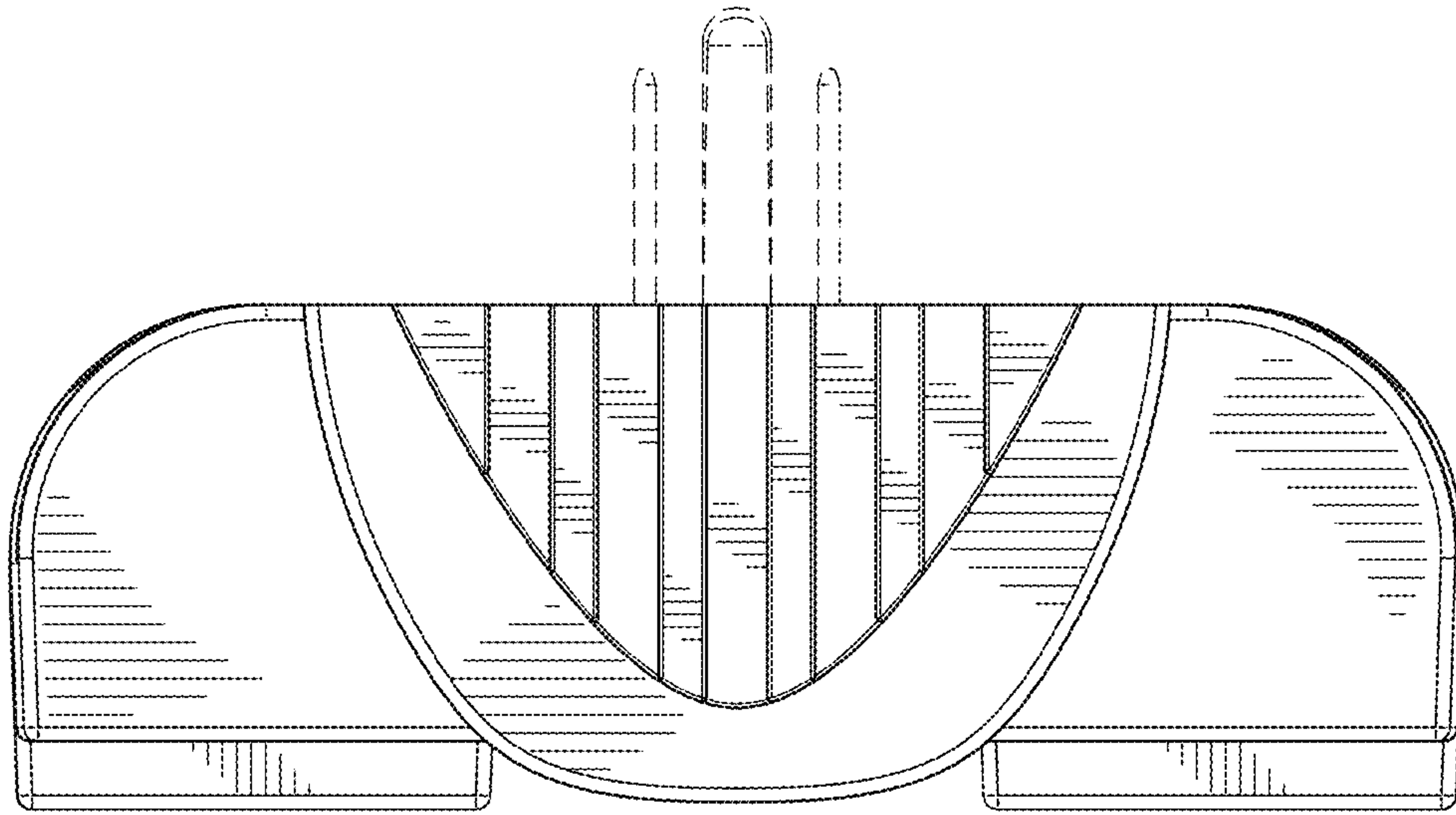


FIG. 7

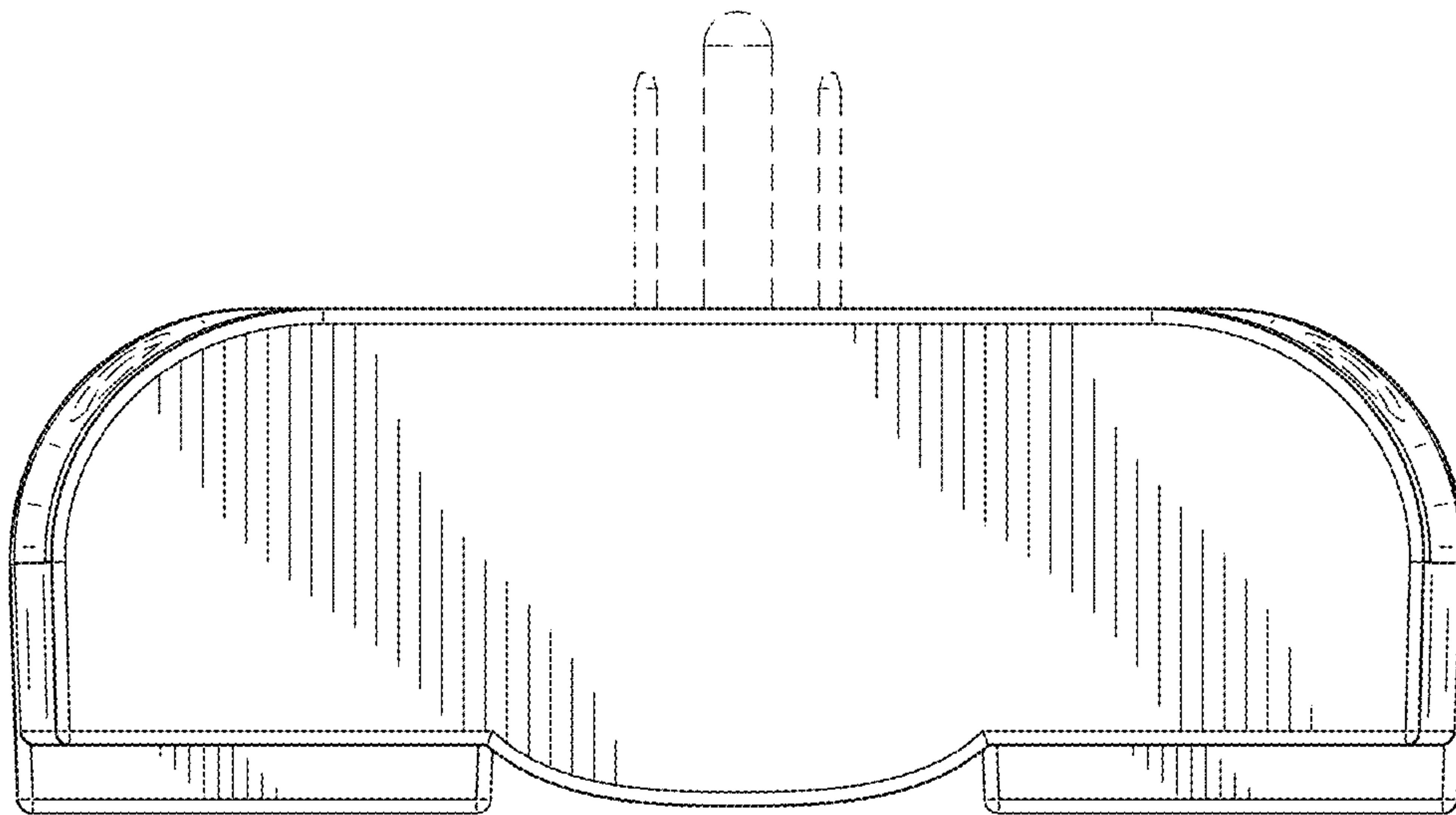


FIG. 8