



US00D808905S

(12) **United States Design Patent**  
**Perry**

(10) **Patent No.:** **US D808,905 S**

(45) **Date of Patent:** **\*\* Jan. 30, 2018**

(54) **BATTERY REMOVAL STRAP**

(71) Applicant: **Terry L. Perry**, Tucson, AZ (US)

(72) Inventor: **Terry L. Perry**, Tucson, AZ (US)

(\*\*) Term: **15 Years**

(21) Appl. No.: **29/578,921**

(22) Filed: **Sep. 26, 2016**

(51) **LOC (11) Cl.** ..... **13-02**

(52) **U.S. Cl.**  
USPC ..... **D13/118**

(58) **Field of Classification Search**  
USPC ..... D13/118; 294/16, 903, 90, 106, 28, 92  
CPC ..... H01M 2/1005; H01M 2/1011; B65G 7/12  
See application file for complete search history.

(56) **References Cited**

**U.S. PATENT DOCUMENTS**

1,893,971	A	1/1933	Terrell	
2,157,753	A	5/1939	Gantt	
2,503,005	A	4/1950	Speaker	
2,503,794	A	4/1950	Brown	
2,829,917	A	4/1958	Wiora	
2,847,243	A	8/1958	Hare	
3,042,442	A	7/1962	Schukraft	
3,059,953	A	10/1962	Sumter	
3,248,144	A *	4/1966	Hinds	H01M 2/1005 294/16
7,836,556	B1 *	11/2010	Medeiros	H01M 2/1005 16/423
8,851,234	B2 *	10/2014	Bachorski	A45F 5/102 16/422

D763,671	S *	8/2016	Sizelove	D8/394
D765,413	S *	9/2016	Derr	D3/327
D786,032	S *	5/2017	Fidrych	D8/34

**OTHER PUBLICATIONS**

Battery posted by Attawood posted date Nov. 7, 2013, © Walmart, [online], [https://www.walmart.com/ip/Attwood-Power-Guard-27-Battery-Box/16351062?action=product\\_interest&action\\_type=title&beacon\\_version=1.0.2&bucket\\_id=irsbucketdefault&client\\_guid=c9b16f3c-b4cb-4390-300b-fea97a8506db&confi](https://www.walmart.com/ip/Attwood-Power-Guard-27-Battery-Box/16351062?action=product_interest&action_type=title&beacon_version=1.0.2&bucket_id=irsbucketdefault&client_guid=c9b16f3c-b4cb-4390-300b-fea97a8506db&confi) (Year: 2013).\*

\* cited by examiner

*Primary Examiner* — Cynthia Ramirez

*Assistant Examiner* — Laura H Yu

(74) *Attorney, Agent, or Firm* — Gavin J. Milczarek-Desai; Quarles & Brady LLP

(57) **CLAIM**

The ornamental design for a battery removal strap, as shown and described.

**DESCRIPTION**

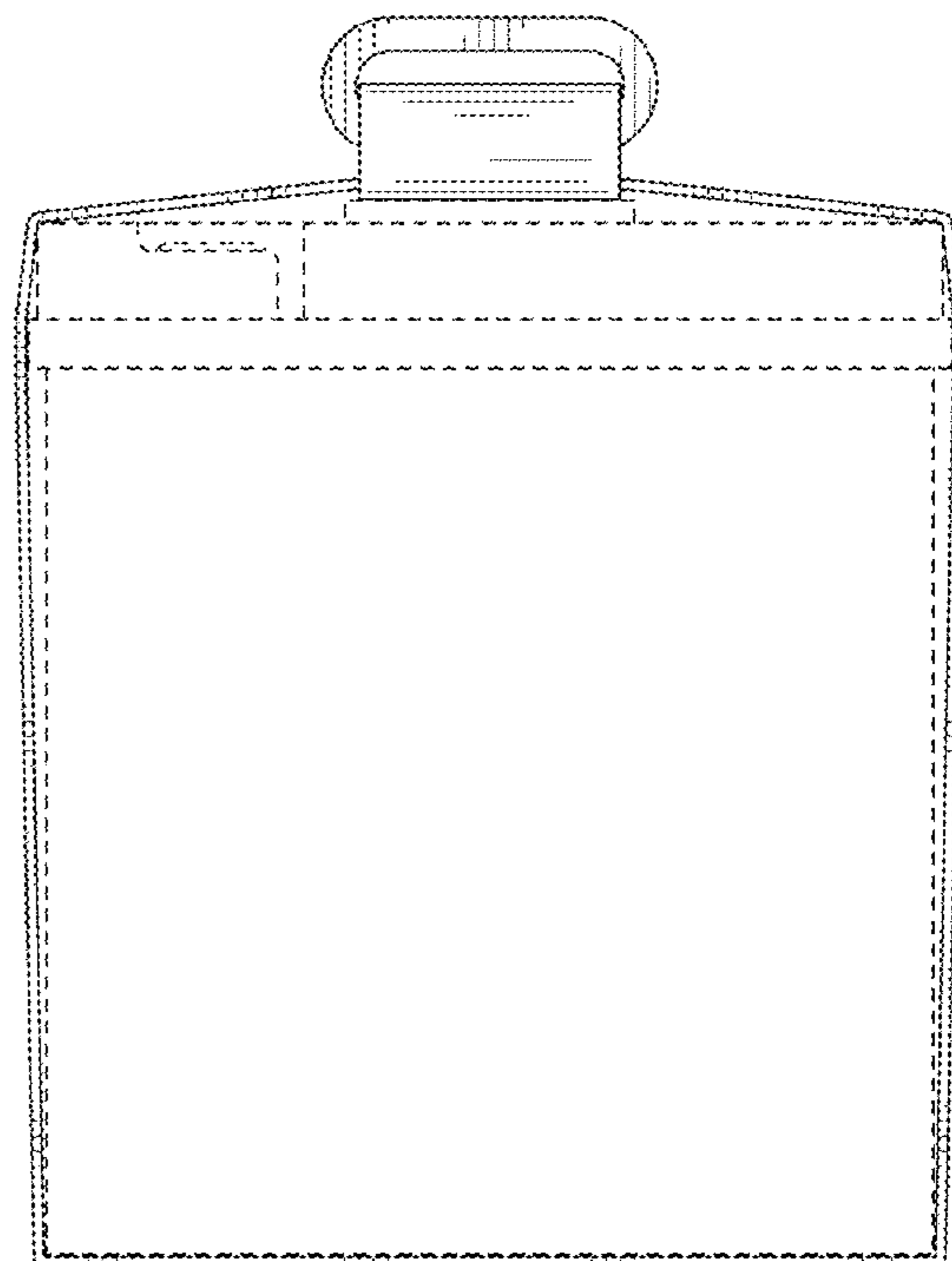
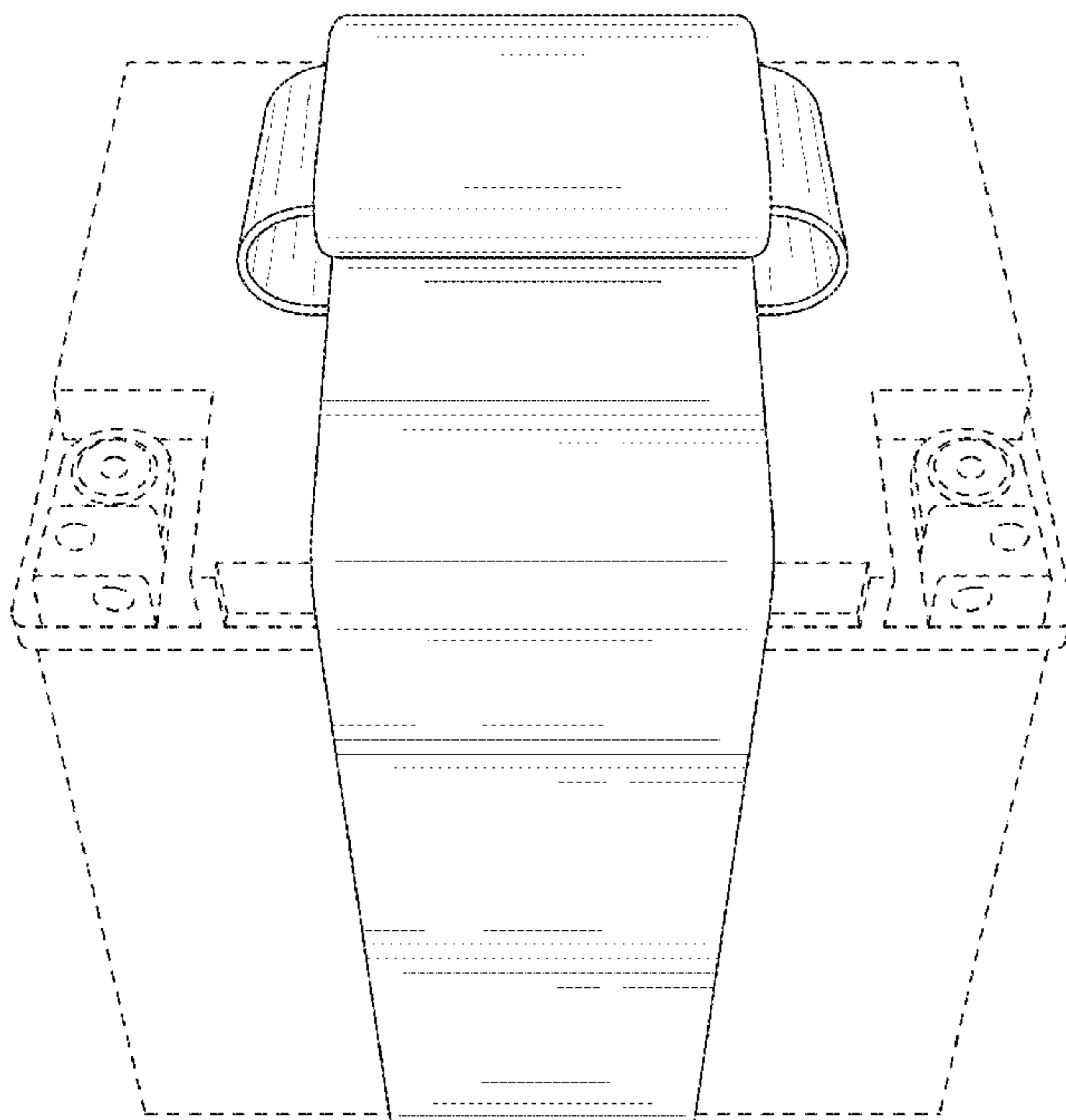
FIG. 1 is a front perspective view of the battery removal strap design.

FIG. 2 is a right side elevational view of FIG. 1, with the left side elevational view being a mirror image thereof.

FIG. 3 is a top view of the battery removal strap design; and, FIG. 4 is a bottom view of the battery removal strap design.

The broken lines showing the battery is for the purpose of illustrating environment and forms no part of the claimed design.

**1 Claim, 4 Drawing Sheets**



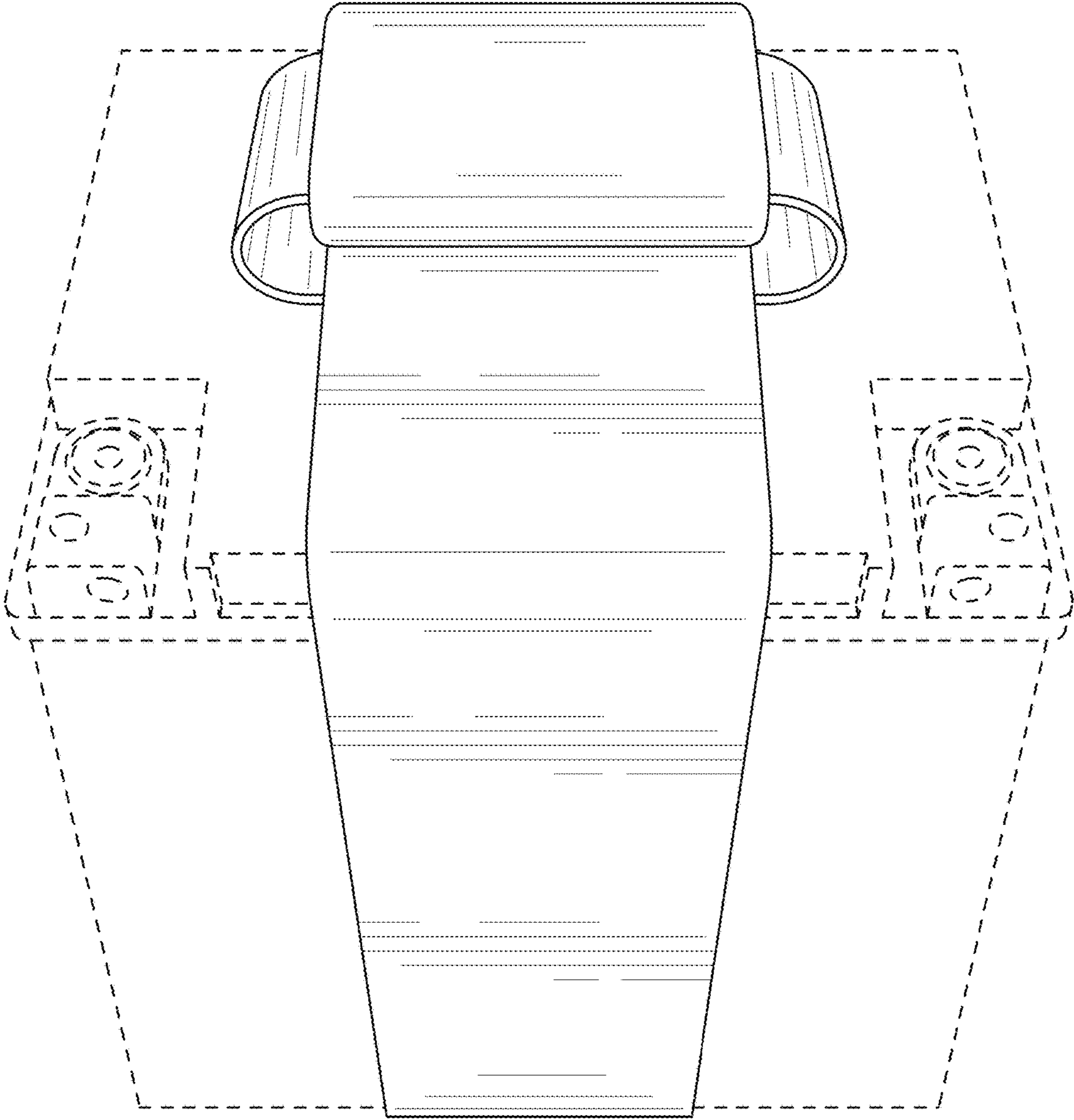


FIG. 1

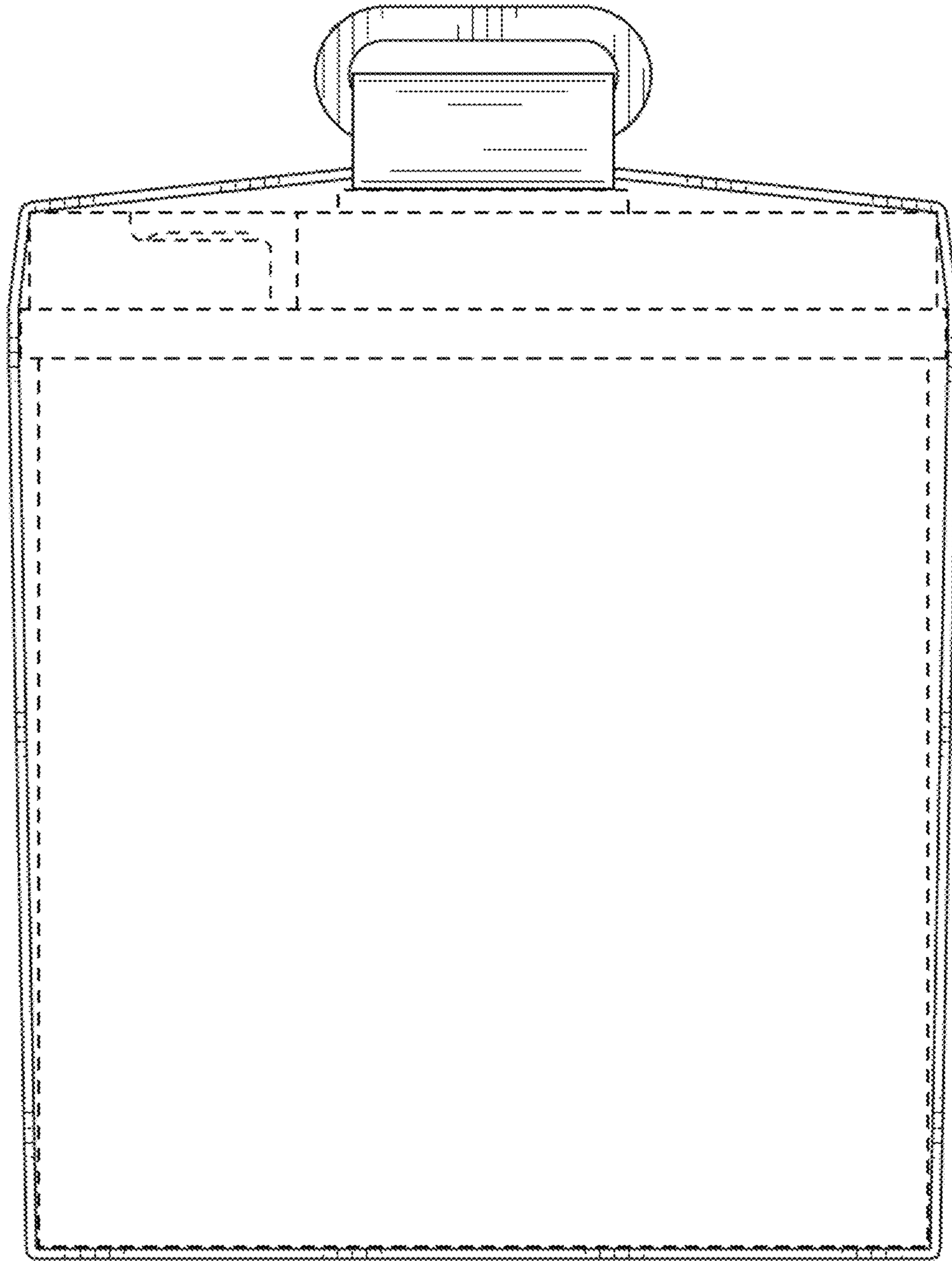


FIG. 2

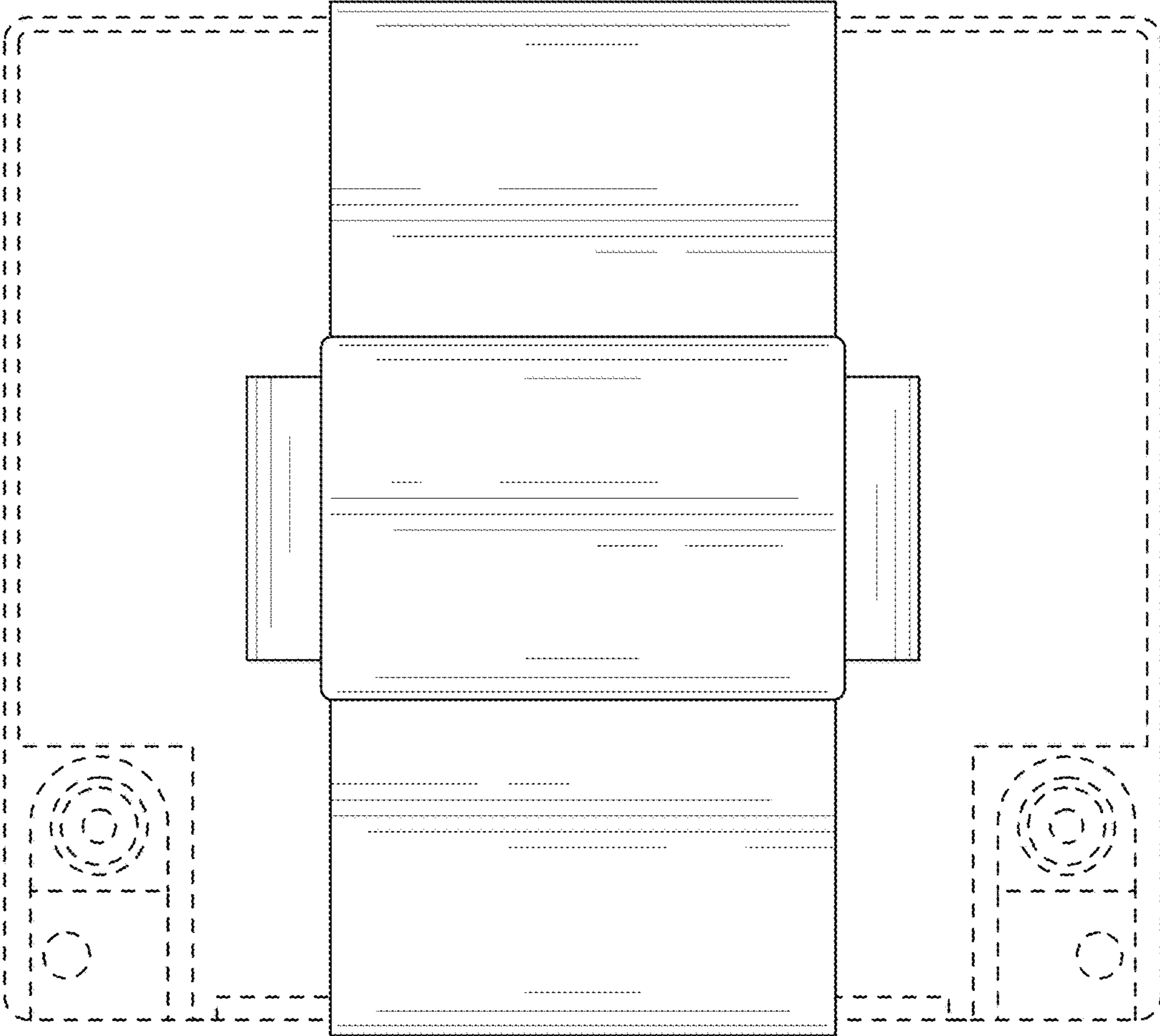
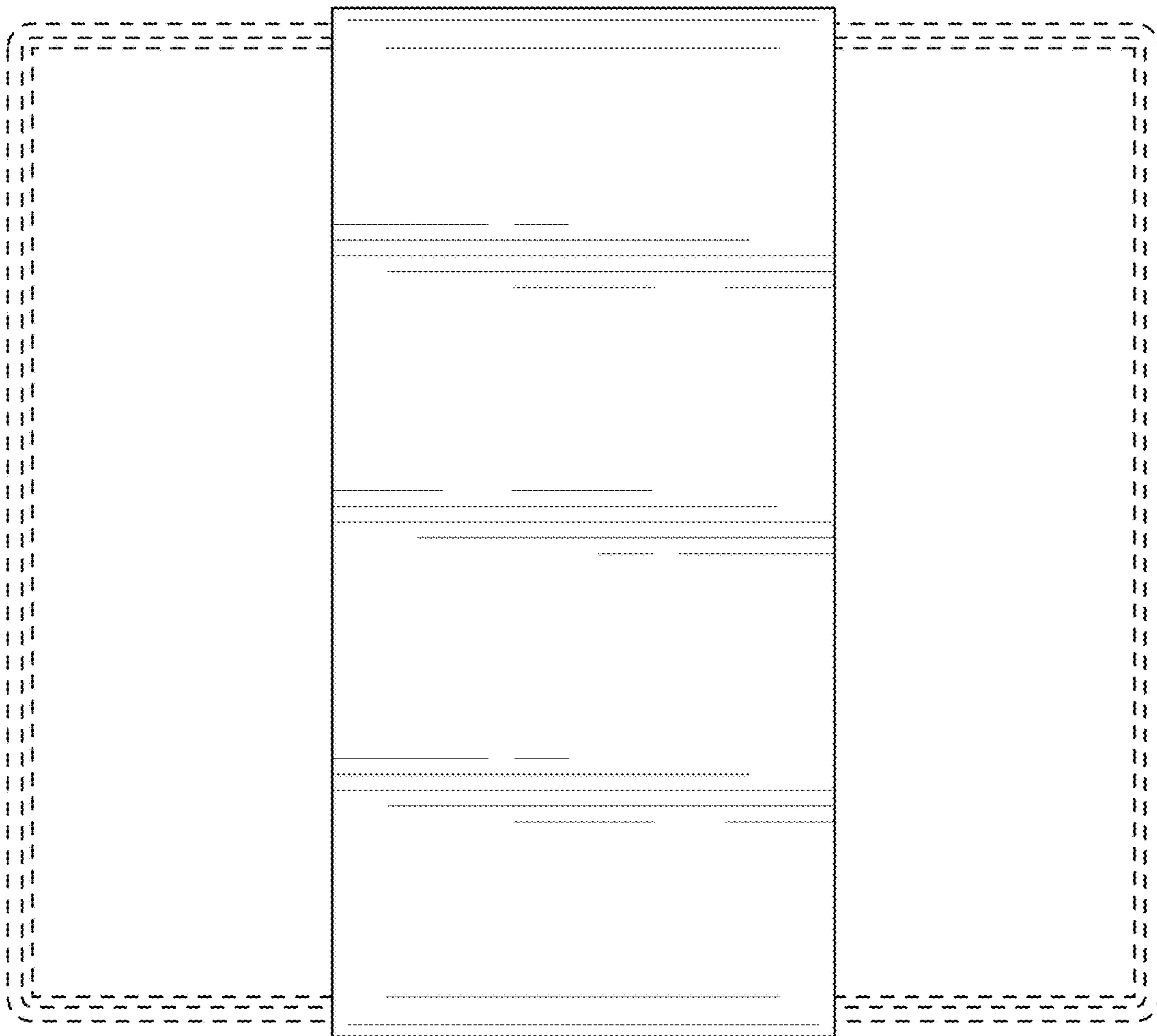


FIG. 3



**FIG. 4**