



US00D808903S

(12) **United States Design Patent**
Koenig

(10) **Patent No.:** **US D808,903 S**
(45) **Date of Patent:** **** Jan. 30, 2018**

- (54) **CHARGING DEVICE**
- (71) Applicant: **AP Specialties**, San Clemente, CA (US)
- (72) Inventor: **Rachel Koenig**, San Clemente, CA (US)
- (73) Assignee: **AP Specialties**, San Clemente, CA (US)
- (**) Term: **14 Years**
- (21) Appl. No.: **29/521,462**
- (22) Filed: **Mar. 24, 2015**
- (51) **LOC (11) Cl.** **13-02**
- (52) **U.S. Cl.**
USPC **D13/110; D13/108**
- (58) **Field of Classification Search**
USPC D13/110, 107, 108, 123, 133, 137.1, D13/138.1, 199; 174/53, 54, 59, 61; 307/150, 151; 320/111, 114; 363/132, 363/140, 142, 143, 146; 439/105, 131, 439/166, 171-173, 218, 518, 692, 956; D14/240, 251, 253, 432, 433, 434
CPC . H02J 7/02; H02J 7/022; H02J 7/0042; H01R 25/00; H01R 25/003; H01R 13/44; H01R 27/00; H01R 9/2408; Y02E 60/12
See application file for complete search history.

D611,415 S	3/2010	Andre et al.	
D623,136 S	9/2010	Andre et al.	
D634,058 S *	3/2011	Peifer	D26/113
7,978,489 B1	7/2011	Telefus et al.	
D653,213 S	1/2012	Andre et al.	
D653,614 S *	2/2012	Au	D13/108
8,113,855 B2 *	2/2012	Green	H01R 13/44 439/131
D655,243 S *	3/2012	Au	D13/108
D664,093 S	7/2012	Andre et al.	
D683,314 S	5/2013	Andre et al.	
D711,823 S	8/2014	Akana et al.	

* cited by examiner

Primary Examiner — Derrick Holland
(74) *Attorney, Agent, or Firm* — Lerner, David, Littenberg, Krumholz & Mentlik, LLP

(57) **CLAIM**

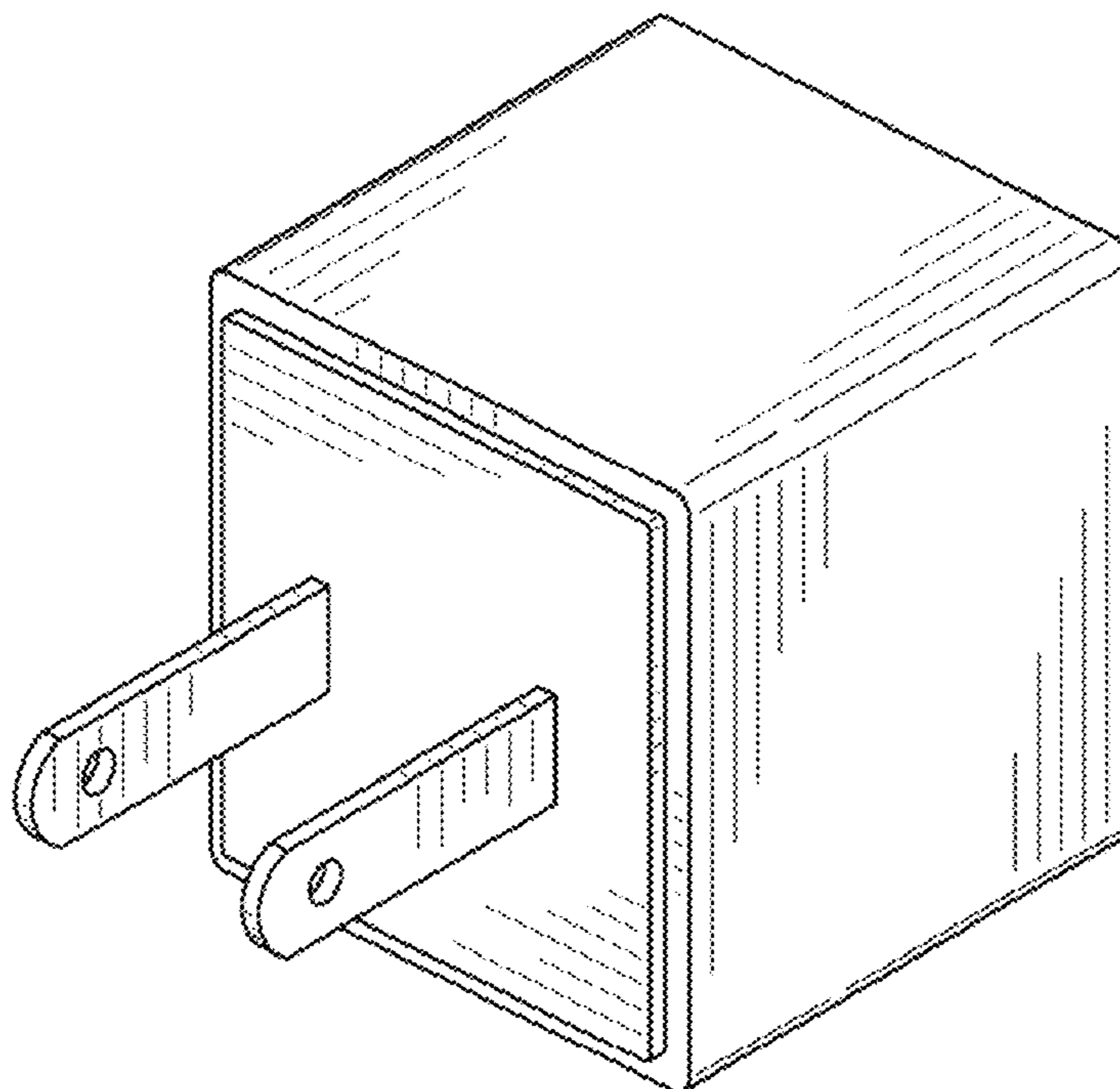
The ornamental design for a charging device, as shown and described.

DESCRIPTION

FIG. 1 is a perspective view of a charging device showing my new design;
FIG. 2 is a front elevation view thereof;
FIG. 3 is a back elevation view thereof;
FIG. 4 is a right side elevation view thereof;
FIG. 5 is a left side elevation view thereof;
FIG. 6 is a top plan view thereof; and,
FIG. 7 is a bottom plan view thereof.

1 Claim, 2 Drawing Sheets

- (56) **References Cited**
U.S. PATENT DOCUMENTS
D138,086 S * 6/1944 Ludwig D13/137.2
7,371,122 B2 * 5/2008 Ivanova H01R 9/2408
439/652



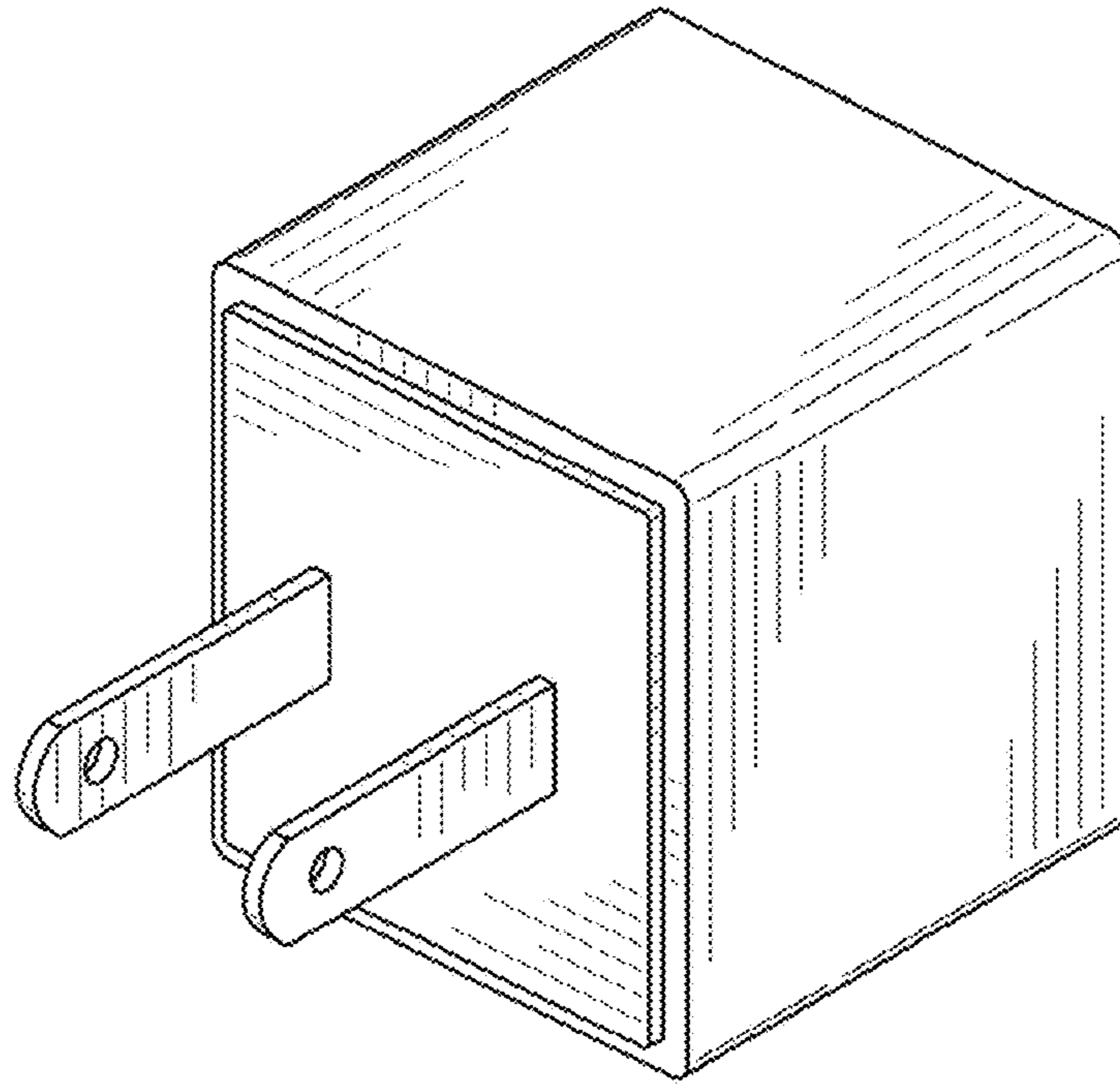


FIG. 1

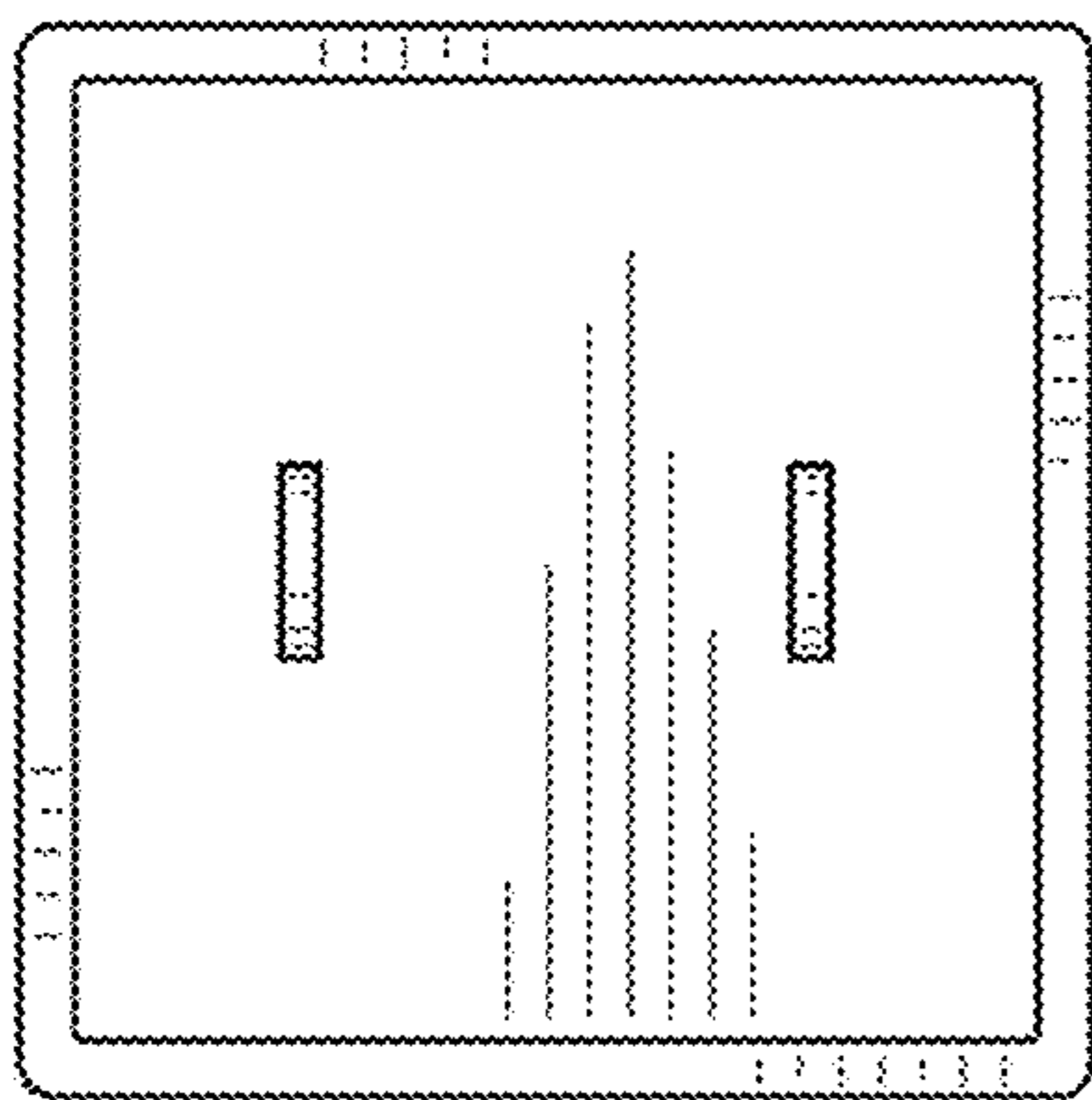


FIG. 2

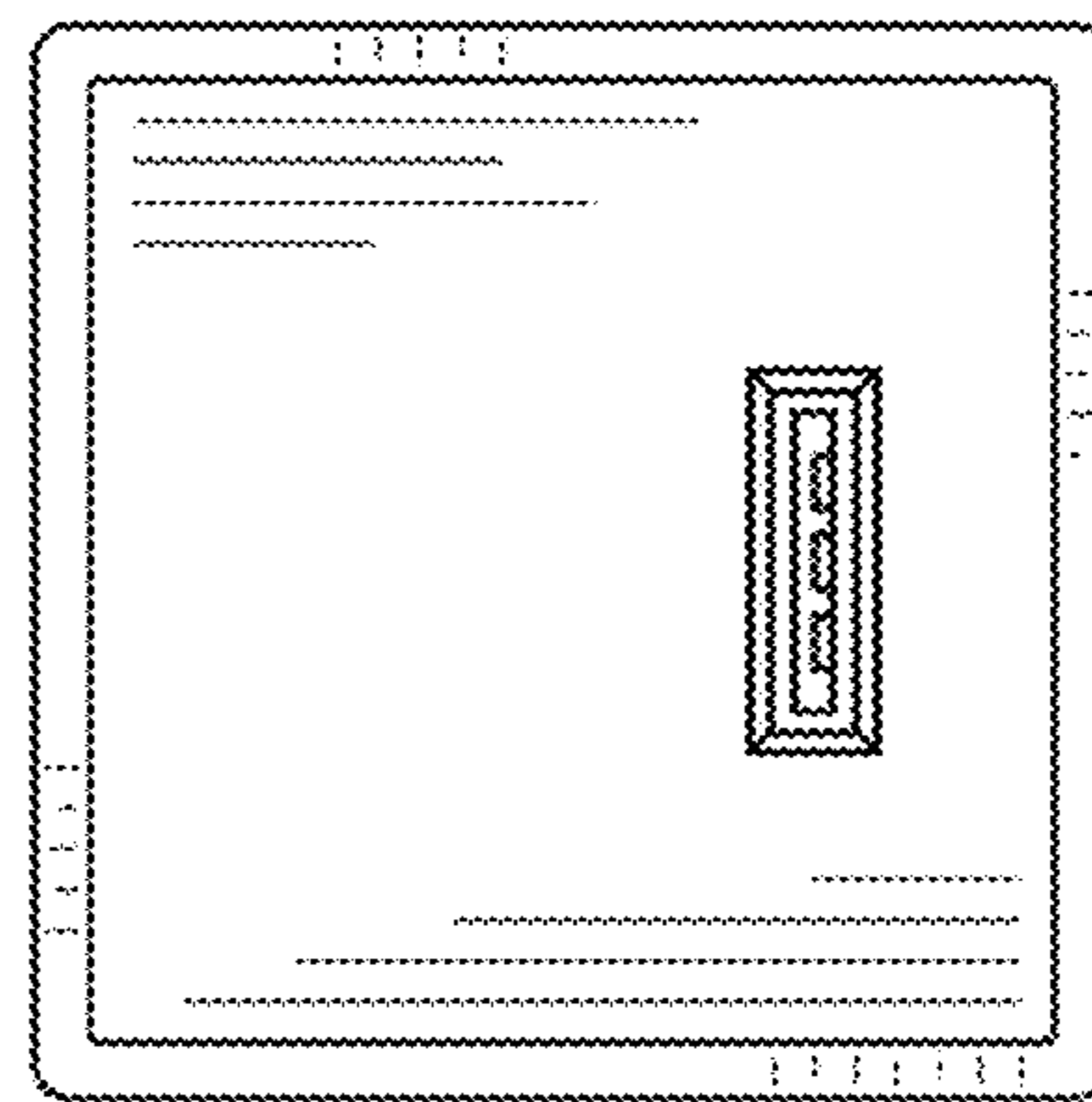


FIG. 3

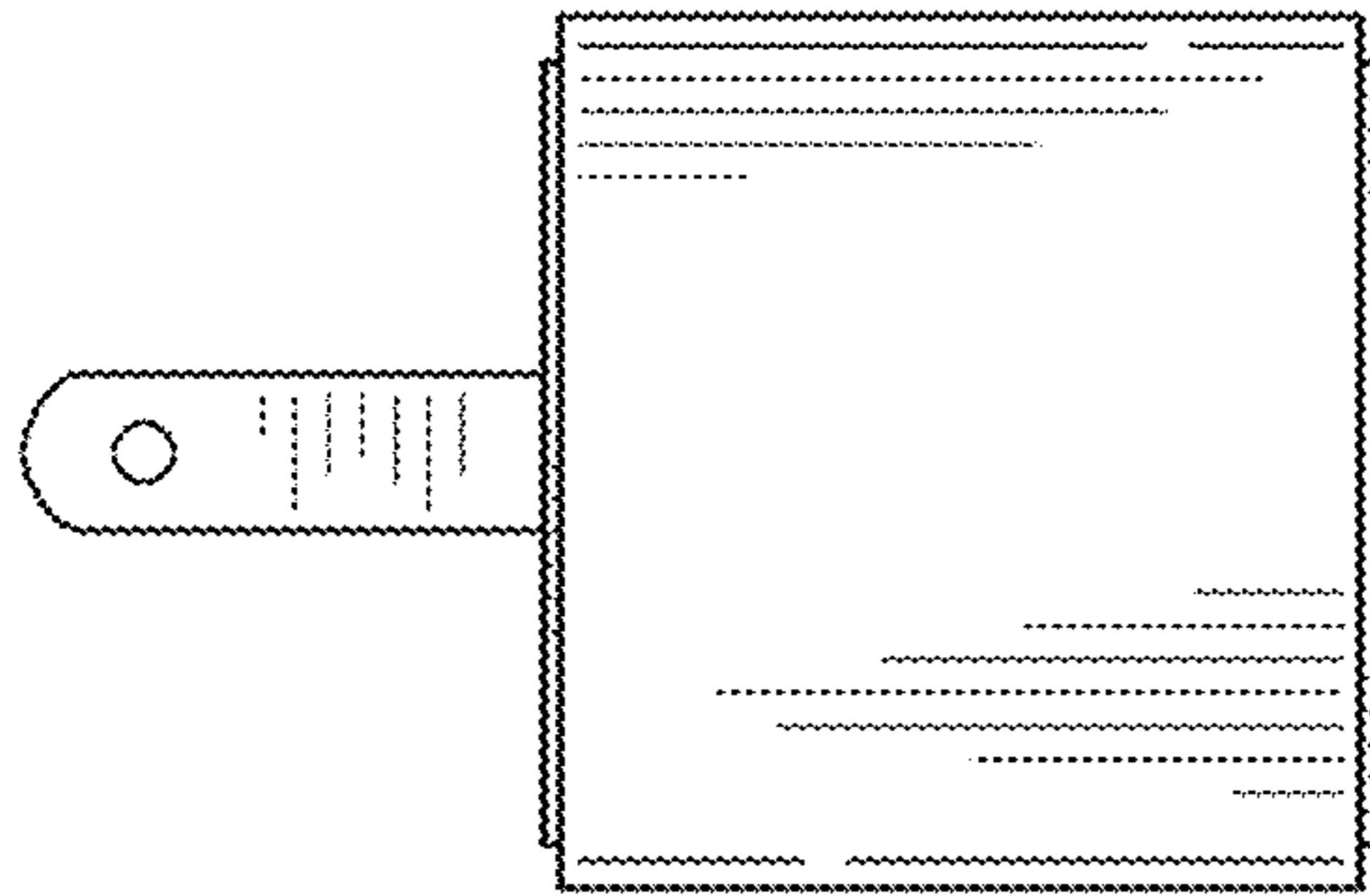


FIG. 4

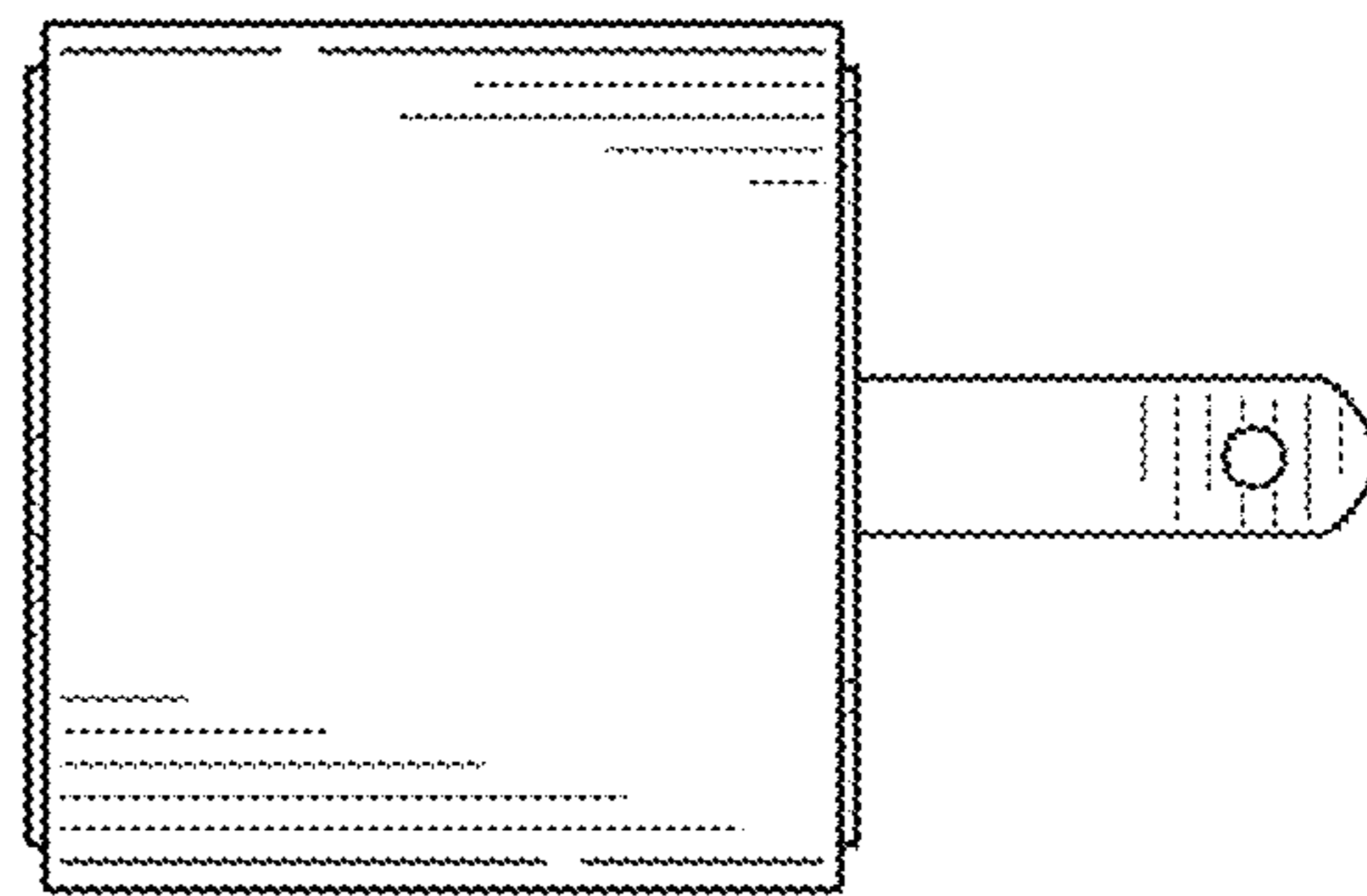


FIG. 5

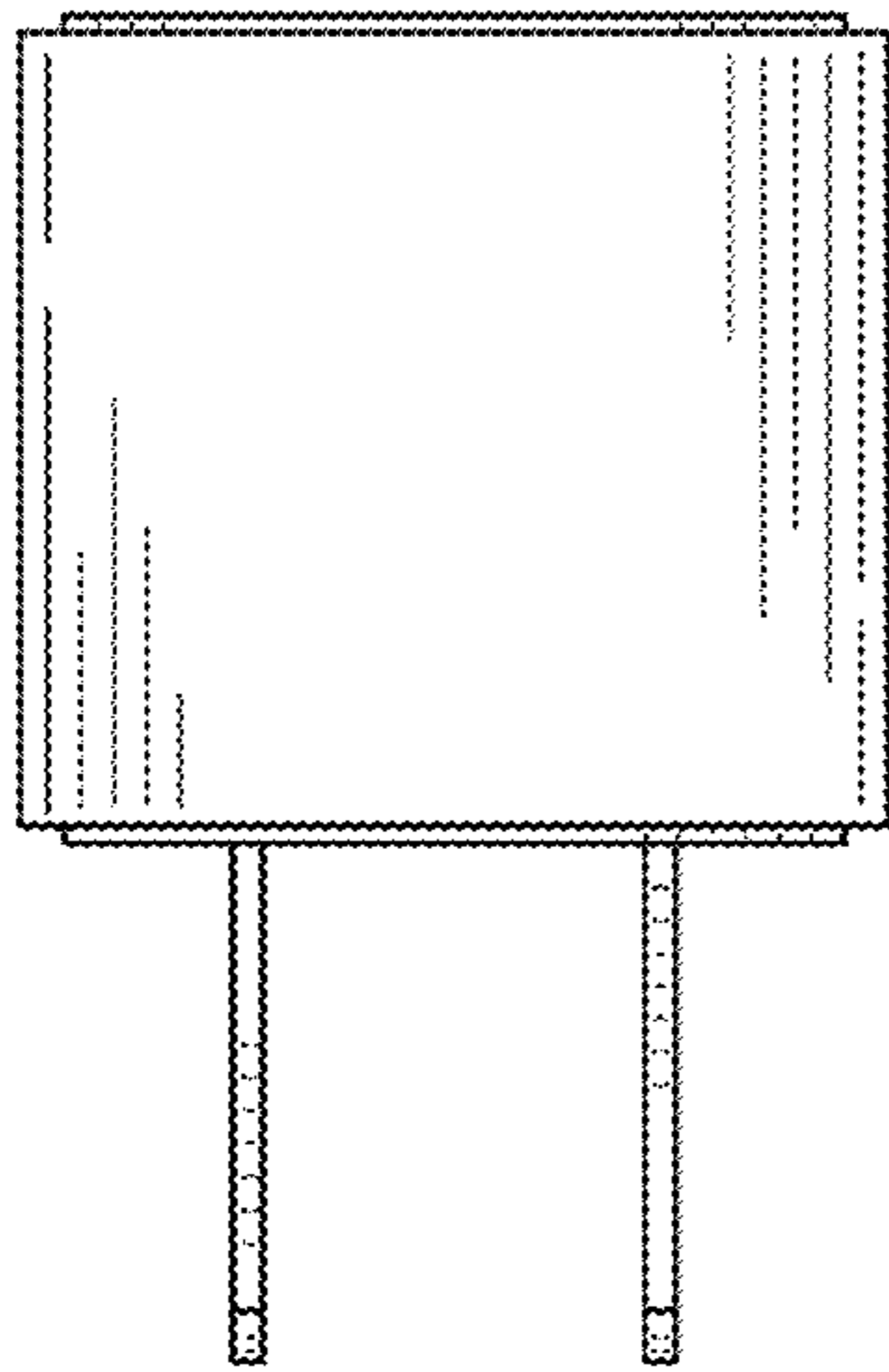


FIG. 6

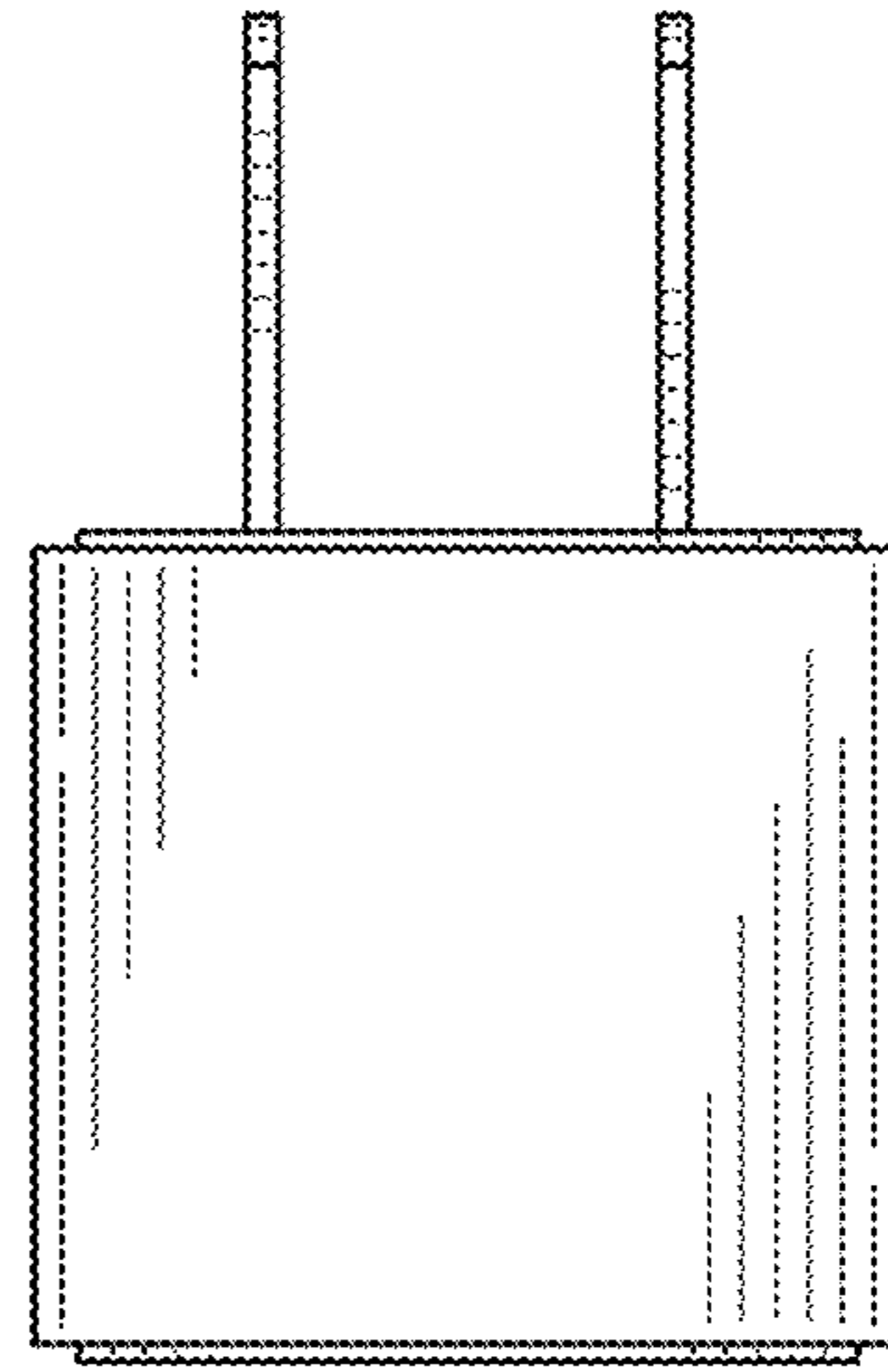


FIG. 7