



US00D808902S

(12) **United States Design Patent**
Qiu et al.

(10) **Patent No.:** **US D808,902 S**
(45) **Date of Patent:** **** Jan. 30, 2018**

(54) **CHARGING PAD**

(71) Applicant: **Intel Corporation**, Santa Clara, CA
(US)

(72) Inventors: **Bo Qiu**, Hillsboro, OR (US); **Jianfang Olena Zhu**, Hillsboro, OR (US); **Sayan Lahiri**, Hillsboro, OR (US); **Reese Bowes**, Portland, OR (US); **Bradley Alan Jackson**, Hillsboro, OR (US)

(73) Assignee: **Intel Corporation**, Santa Clara, CA
(US)

(**) Term: **15 Years**

(21) Appl. No.: **29/569,865**

(22) Filed: **Jun. 30, 2016**

(51) **LOC (11) Cl.** **13-02**

(52) **U.S. Cl.**
USPC **D13/108**

(58) **Field of Classification Search**

USPC D13/102-110, 118-119, 184; D14/251,
D14/253, 432, 434
CPC Y02E 60/12; Y02T 90/14; Y02T 90/122;
Y02T 90/128; Y02T 90/163; H02J 7/025;
H02J 7/0042; H02J 7/0044; H02J 7/0045;
H02J 7/0003; H01F 38/14; H01M 2/1022;

(Continued)

(56) **References Cited**

U.S. PATENT DOCUMENTS

D4,792 S * 4/1871 Kandeasu D5/60
D200,524 S * 3/1965 Narens D6/583
(Continued)

Primary Examiner — Rosemary K Tarcaza

Assistant Examiner — Alison M Ofstun

(74) *Attorney, Agent, or Firm* — Schwegman Lundberg & Woessner, P.A.

(57) **CLAIM**

The ornamental design for a charging pad, as shown and described.

DESCRIPTION

The following U.S. design applications are hereby incorporated by reference in their entireties:

An Improved Transparent and Flexible Mat Design) U.S. application Ser. No. 29/559,313 , filed Mar. 26, 2016, and; A Transparent and Flexible Mat Design, U.S. application Ser. No. 29/559,312, Mar. 26, 2016.

FIG. 1 is a top perspective view of a charging pad, according to a first embodiment, showing our new design;

FIG. 2 is a bottom perspective view thereof;

FIG. 3 is a top view thereof;

FIG. 4 is a bottom view thereof;

FIG. 5 is a front view thereof, the rear view being a mirror image;

FIG. 6 is a right side view thereof, the left side view being a mirror image;

FIG. 7 is a cross section view thereof, taken along line 7-7 shown in FIG. 3;

FIG. 8 is a top perspective view of a charging pad, according to a second embodiment;

FIG. 9 is a bottom perspective view thereof;

FIG. 10 is a top view thereof;

FIG. 11 is a bottom view thereof;

FIG. 12 is a front view thereof, the rear view being a mirror image;

FIG. 13 is a right side view thereof, the left side view being a mirror image;

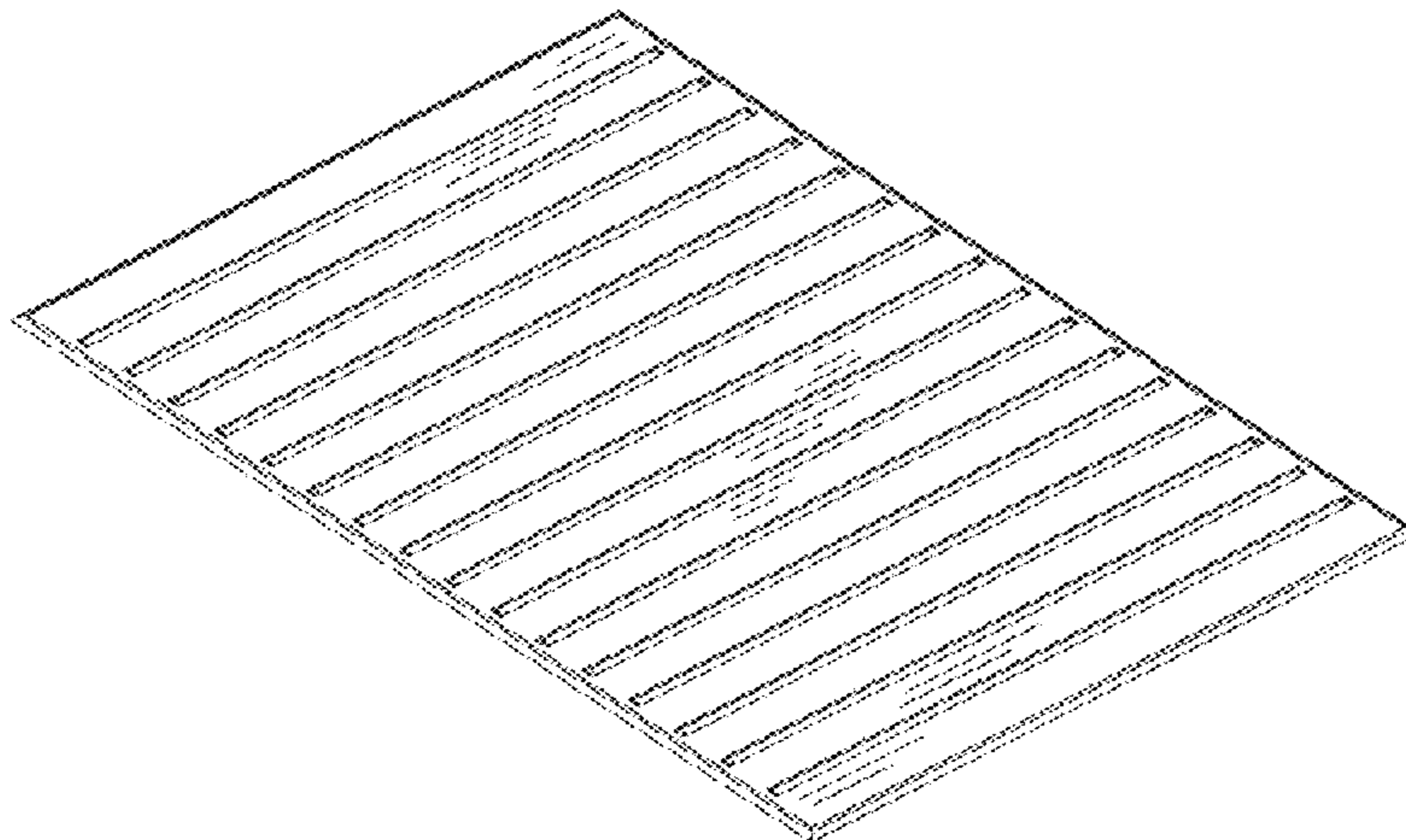
FIG. 14 is a cross section view thereof, taken along line 14-14 shown in FIG. 10;

FIG. 15 is an enlarged view of a portion of the cross section view shown in FIG. 7; and,

FIG. 16 is an enlarged view of a portion of the cross section view shown in FIG. 14.

The broken lines present in the figures are for the purpose of illustrating enlarged fragmentary view indicators, which form no part of the claimed design.

1 Claim, 11 Drawing Sheets



(58) **Field of Classification Search**

CPC H01M 2/1055; H01M 10/44; H01M 10/46;
H01M 10/425; B60L 11/182

See application file for complete search history.

(56) **References Cited**

U.S. PATENT DOCUMENTS

D207,487	S	*	4/1967	Briggs et al.	D23/209
D401,451	S	*	11/1998	Sherman	D6/682.4
D499,924	S	*	12/2004	Lee	D6/582
D507,145	S	*	7/2005	Prata dos Santos	D6/629
D508,368	S	*	8/2005	Lion	D7/388
D625,112	S	*	10/2010	Olsson	D5/60
D636,724	S	*	4/2011	Nomi	D13/108
D642,844	S	*	8/2011	Cheris	D6/582
D656,741	S	*	4/2012	Snyder	D5/60
D699,245	S	*	2/2014	Lee	D14/447
D718,086	S	*	11/2014	Lewis	D7/391
D739,349	S	*	9/2015	Takahashi	D13/118
D748,932	S	*	2/2016	Puricelli	D6/608
D765,024	S	*	8/2016	Crist	D13/102
D765,590	S	*	9/2016	Crist	D13/102
2012/0077093	A1	*	3/2012	Matsuda	H01M 4/0404 429/309
2012/0268073	A1	*	10/2012	Morioka	B21D 13/04 320/128

* cited by examiner

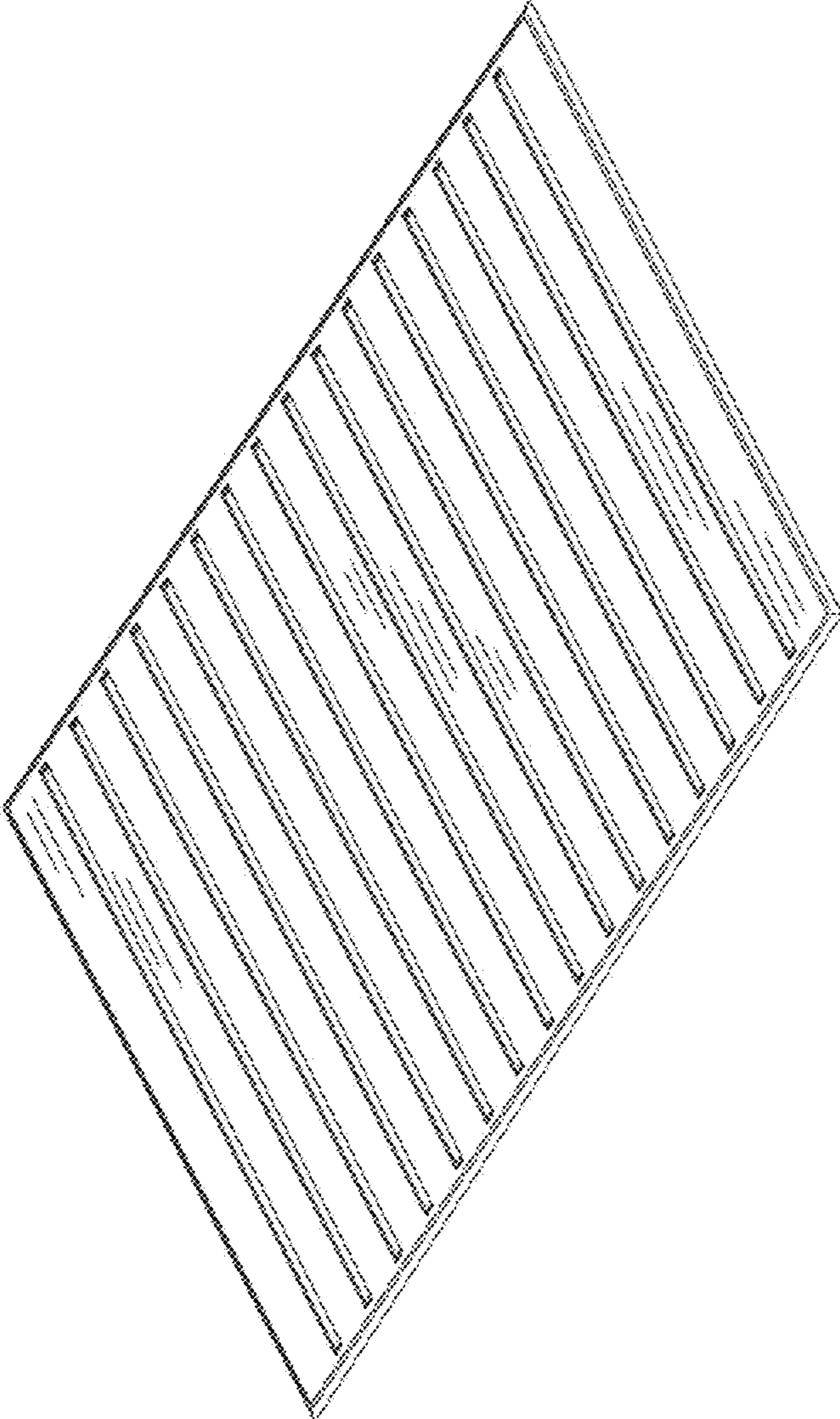


FIG. 1

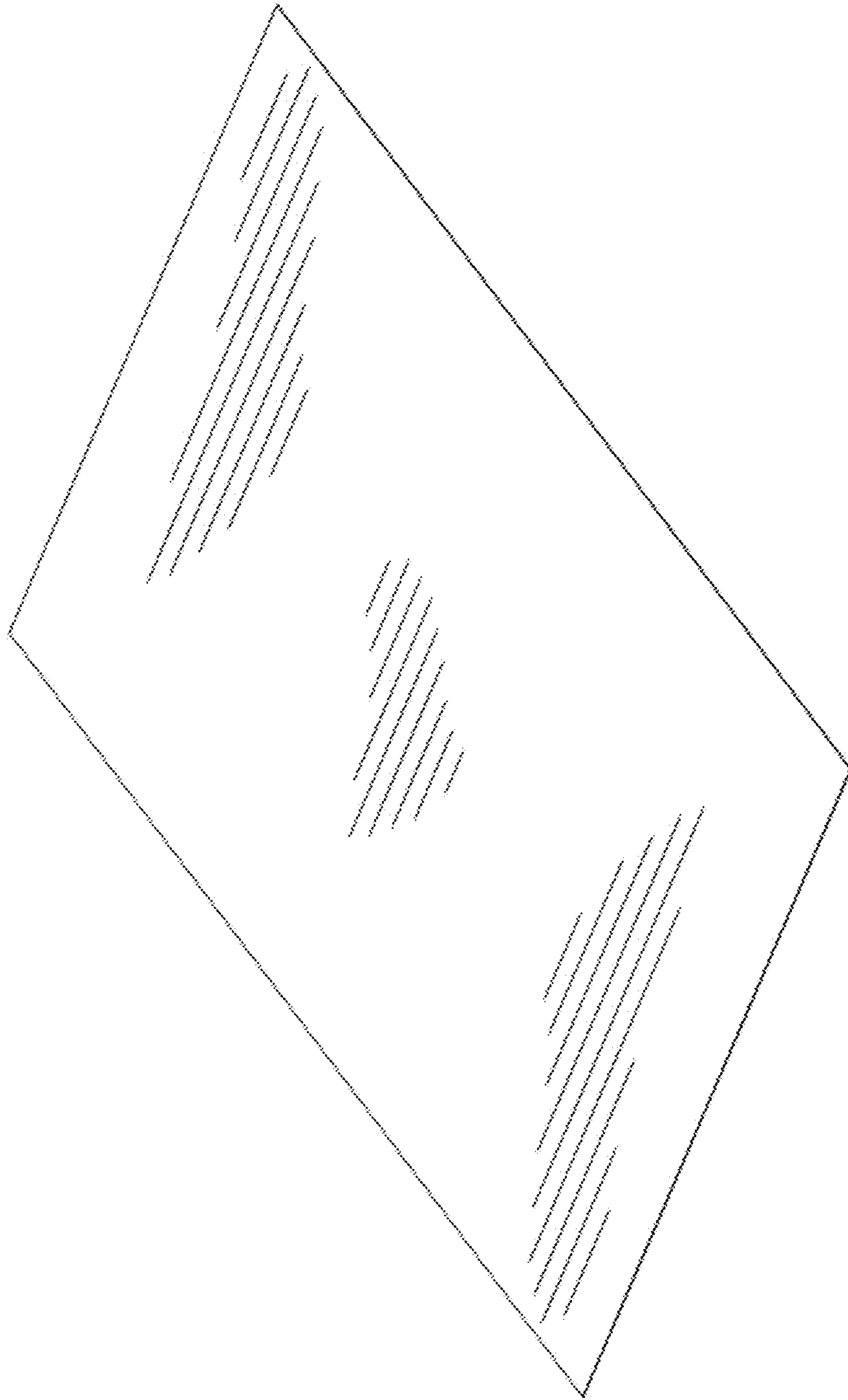


FIG. 2

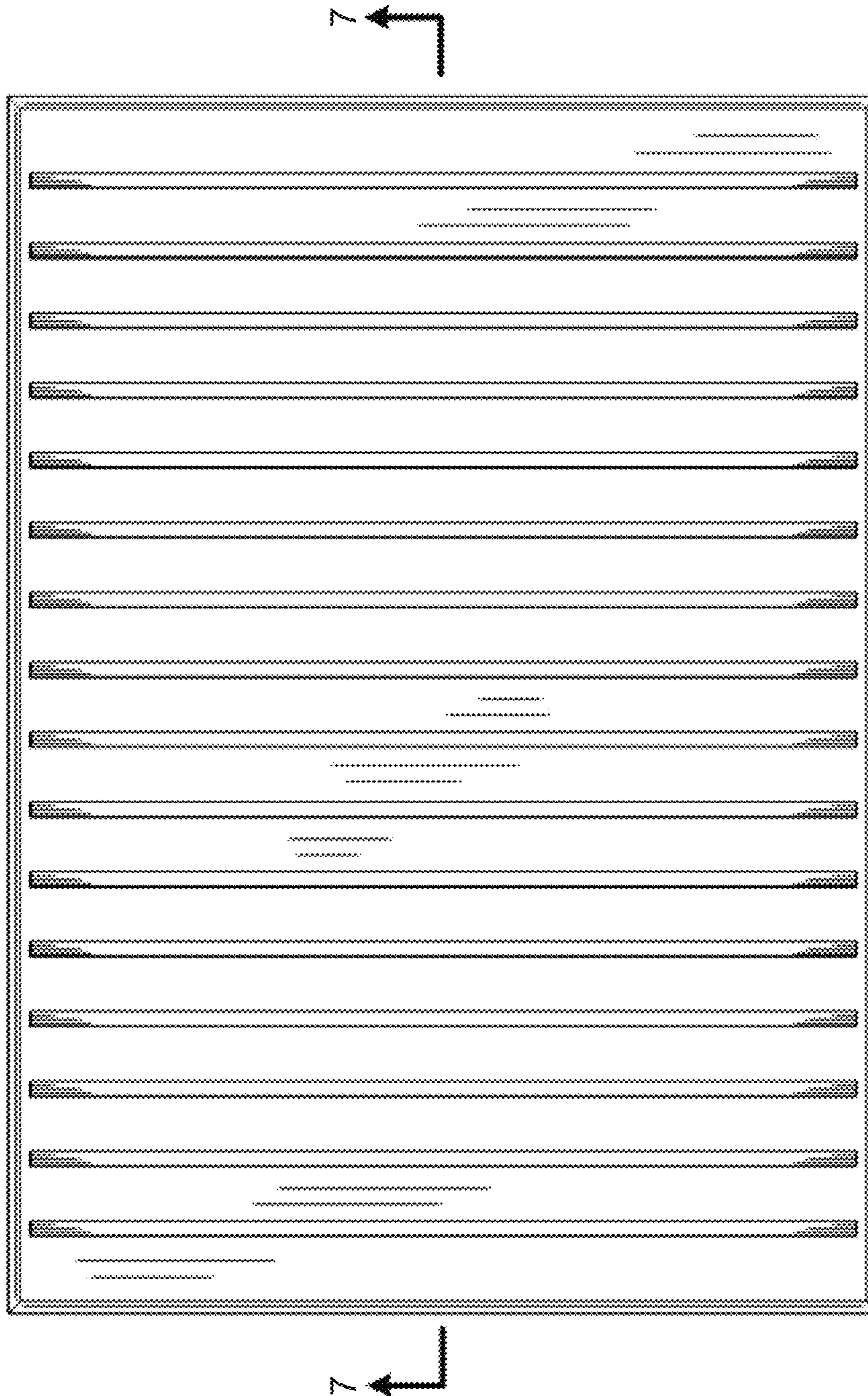


FIG. 3

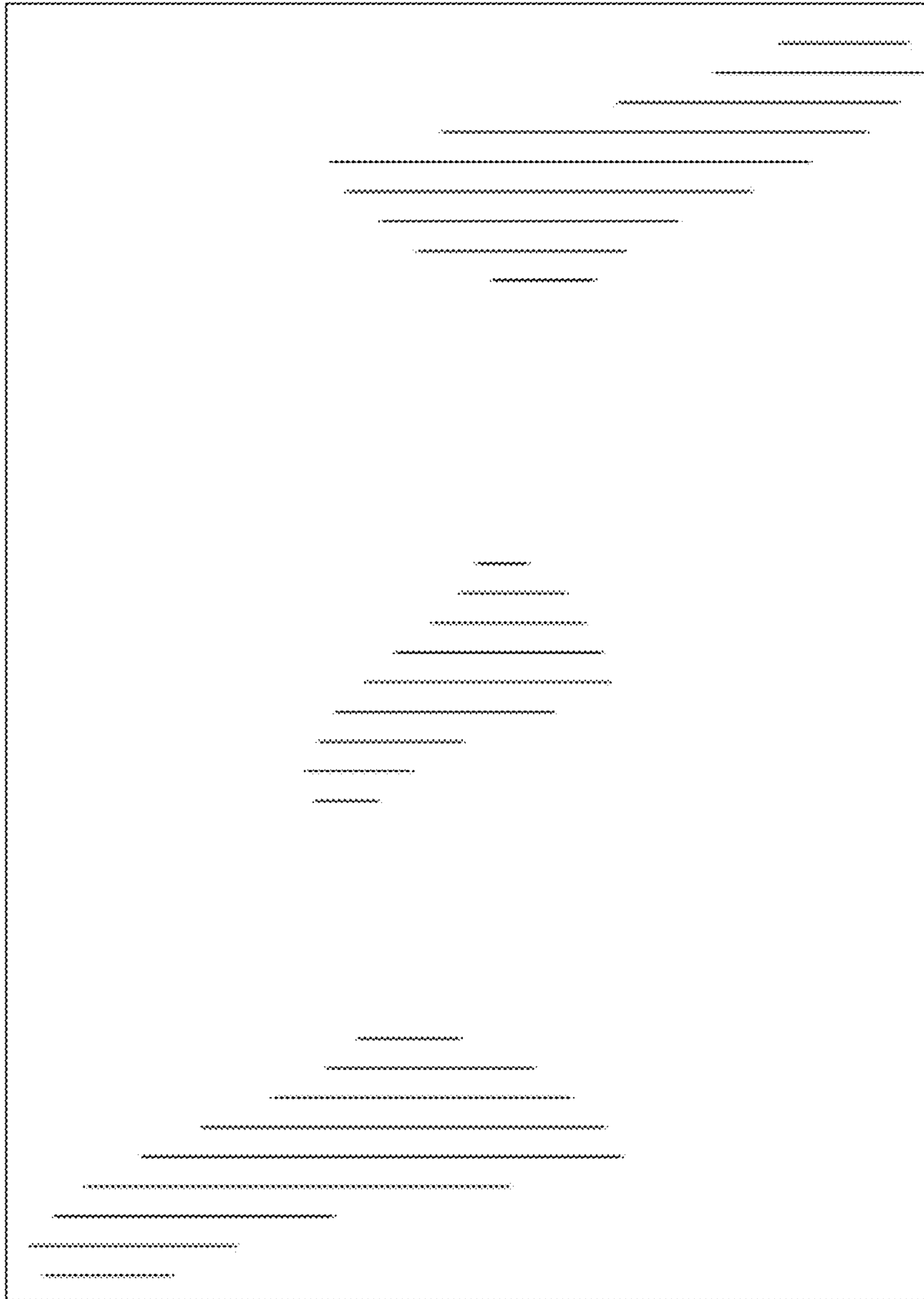


FIG. 4



FIG. 5



FIG. 6

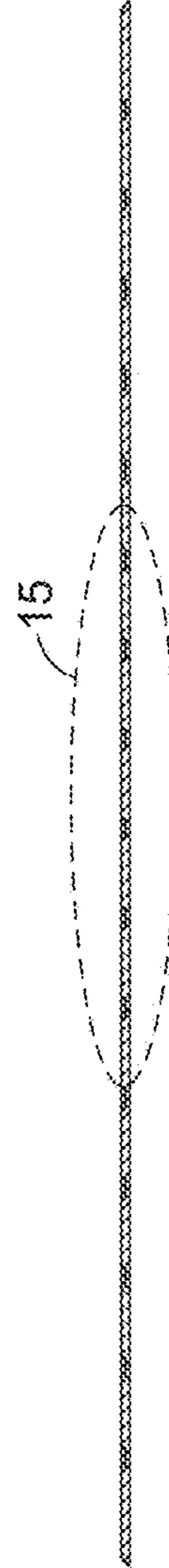


FIG. 7

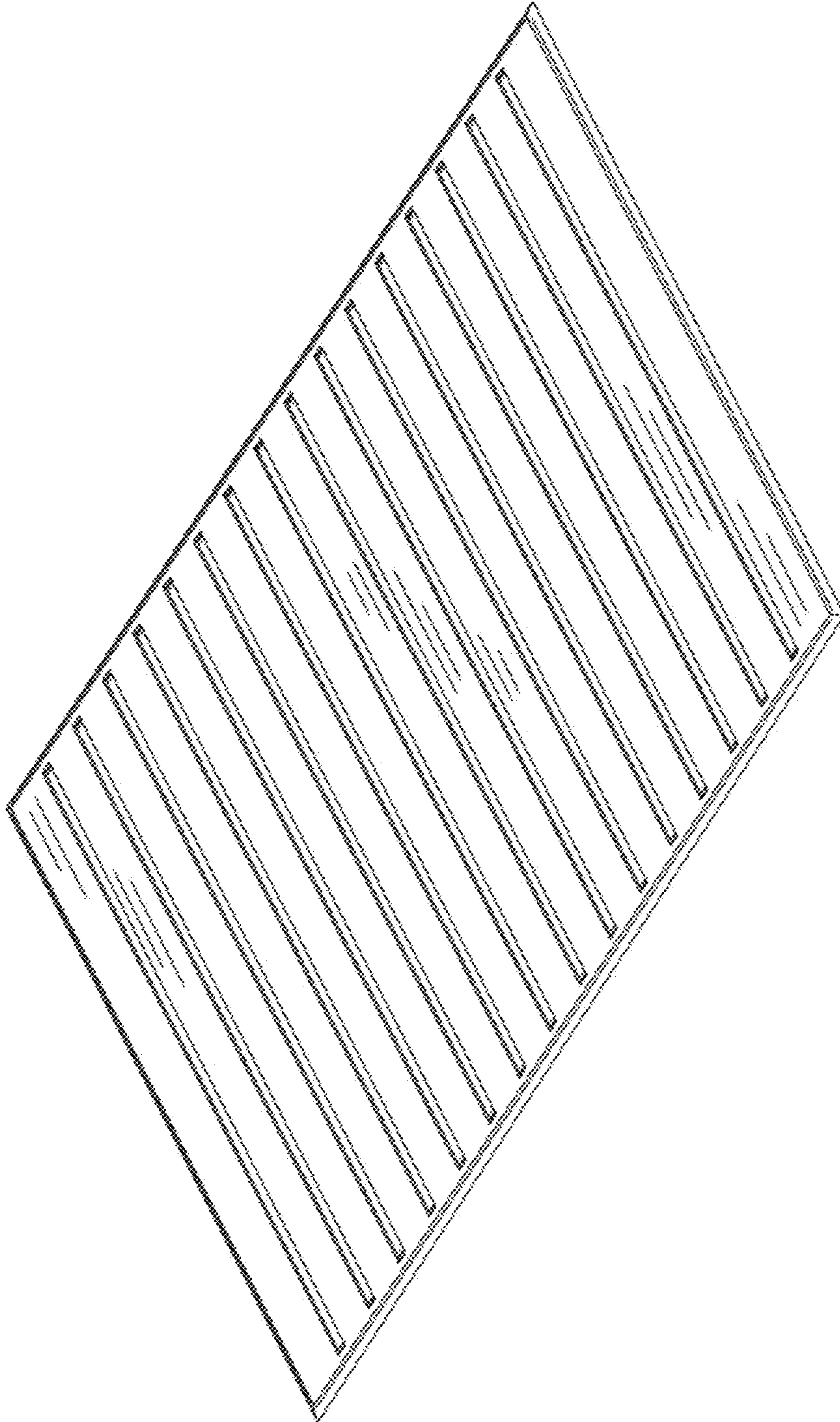


FIG. 8

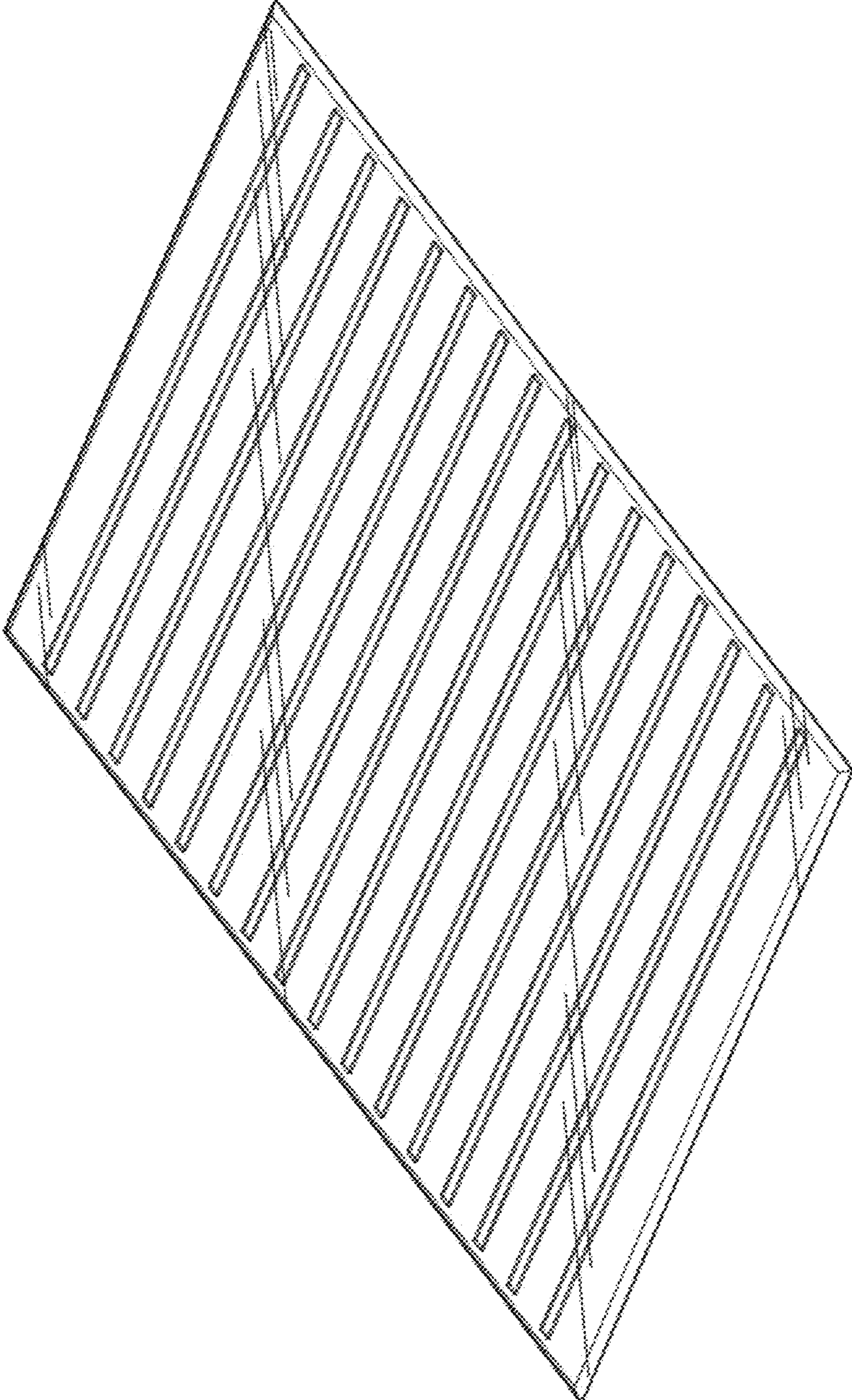


FIG. 9

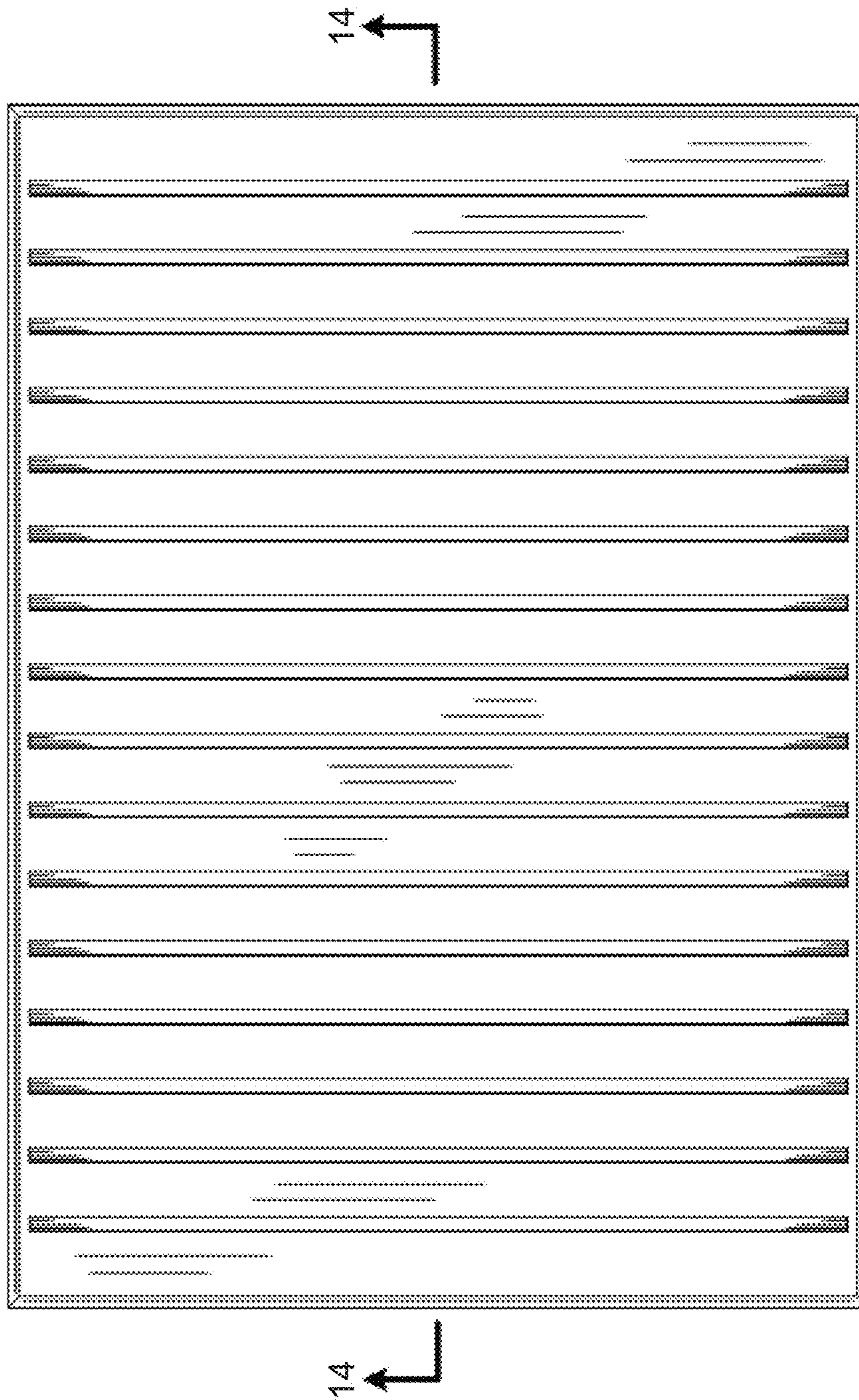


FIG. 10

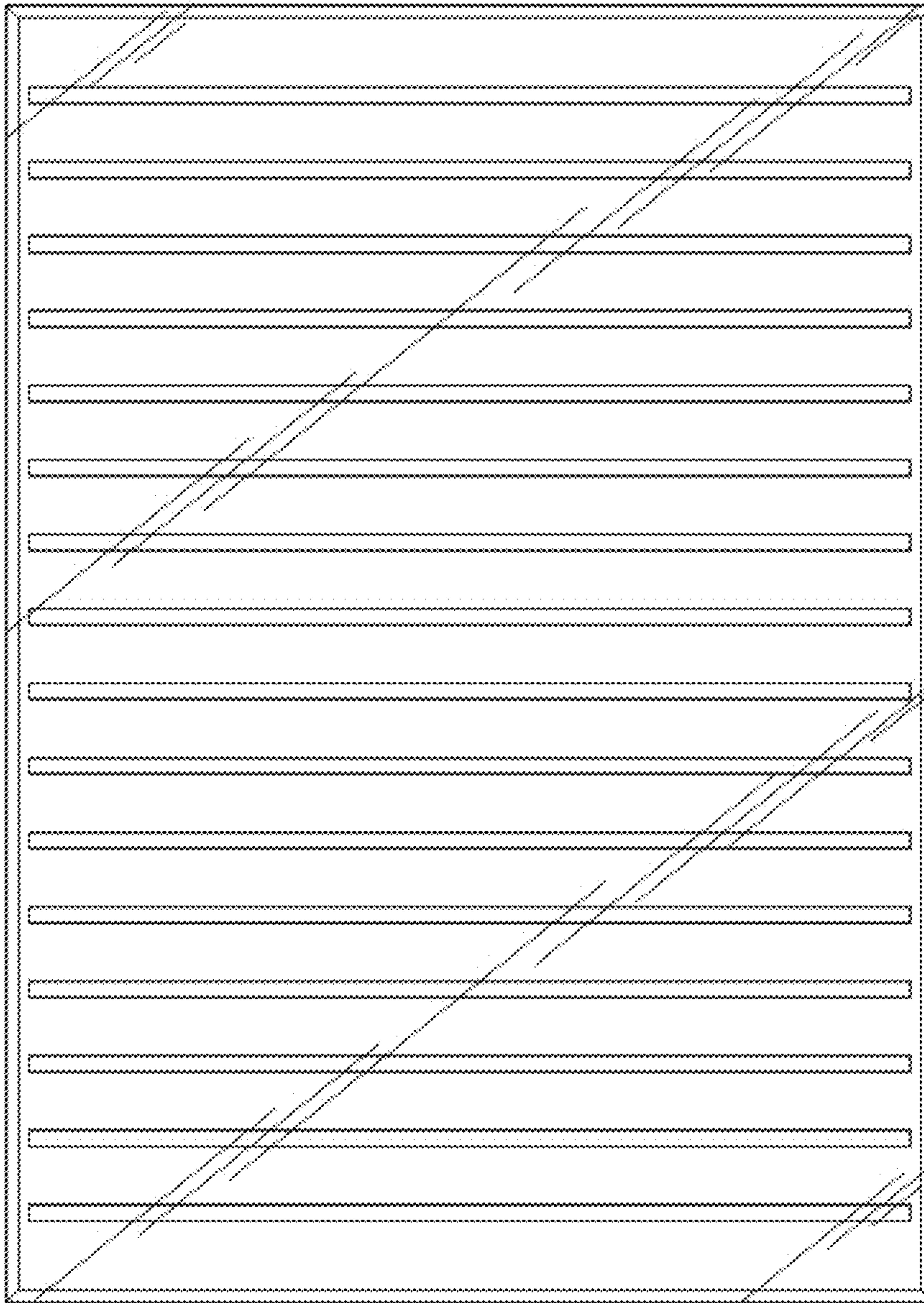


FIG. 11



FIG. 12



FIG. 13

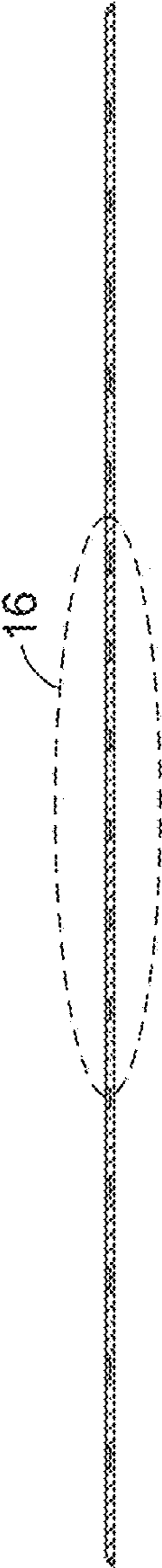


FIG. 14

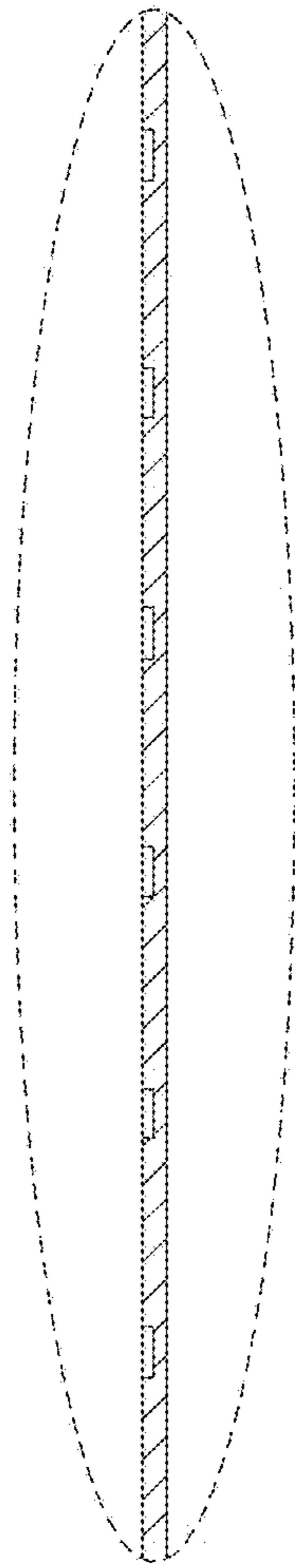


FIG. 15

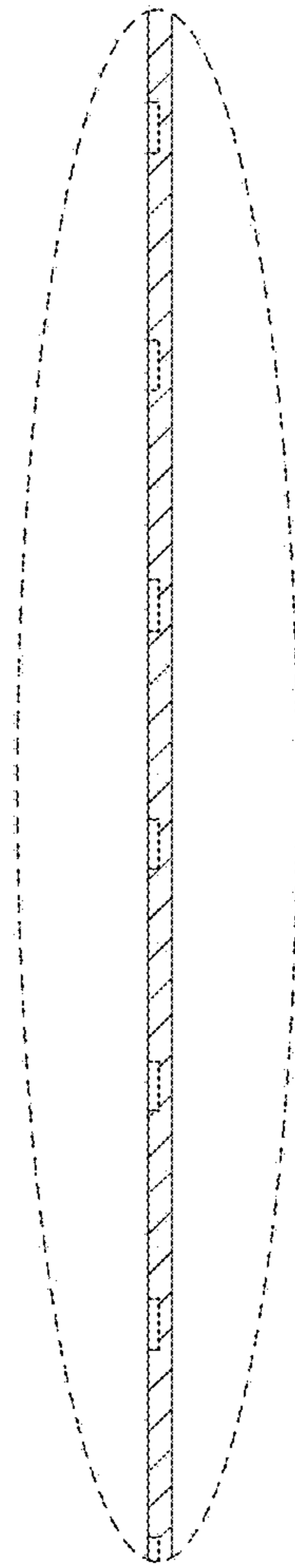


FIG. 16