



US00D808900S

(12) **United States Design Patent**
Li

(10) **Patent No.:** **US D808,900 S**

(45) **Date of Patent:** **** Jan. 30, 2018**

(54) **CHARGER**

(71) Applicant: **Wenjie Li**, Guangzhou (CN)

(72) Inventor: **Wenjie Li**, Guangzhou (CN)

(**) Term: **15 Years**

(21) Appl. No.: **29/561,078**

(22) Filed: **Apr. 13, 2016**

(30) **Foreign Application Priority Data**

Mar. 14, 2016 (CN) 2016 3 0071239

(51) **LOC (11) Cl.** **13-02**

(52) **U.S. Cl.**
USPC **D13/107**

(58) **Field of Classification Search**
USPC D13/102-110, 118-119, 184; D14/251,
D14/253, 432, 434
CPC Y02E 60/12; Y02T 90/14; Y02T 90/122;
Y02T 90/128; Y02T 90/163; H02J 7/025;
H02J 7/0042; H02J 7/0044; H02J 7/0045;
H02J 7/0003; H01F 38/14; H01R
13/6675; H01M 2/1022; H01M 2/1055;
H01M 10/44; H01M 10/46; H01M
10/425; B60L 11/182

See application file for complete search history.

(56) **References Cited**

U.S. PATENT DOCUMENTS

D465,452 S * 11/2002 Lie D13/107
D466,075 S * 11/2002 Lie D13/107
D515,501 S * 2/2006 Kawasaki D13/107
D519,447 S * 4/2006 Lie D13/107
D523,394 S * 6/2006 Lie D13/107

D546,281 S * 7/2007 Bell D13/107
D571,722 S * 6/2008 Kang D13/107
D573,088 S * 7/2008 Castellucci D13/107
D599,287 S * 9/2009 Kingston D13/107
7,589,493 B2 * 9/2009 Satsuma H02J 7/0045
320/107
D623,130 S * 9/2010 Kawakami D13/107
2002/0063550 A1 * 5/2002 Chen H02J 7/0013
320/110
2007/0069688 A1 * 3/2007 Satsuma H02J 7/0042
320/110

* cited by examiner

Primary Examiner — Rosemary K Tarcza

Assistant Examiner — Alison M Ofstun

(74) *Attorney, Agent, or Firm* — Schmeiser, Olsen & Watts, LLP

(57) **CLAIM**

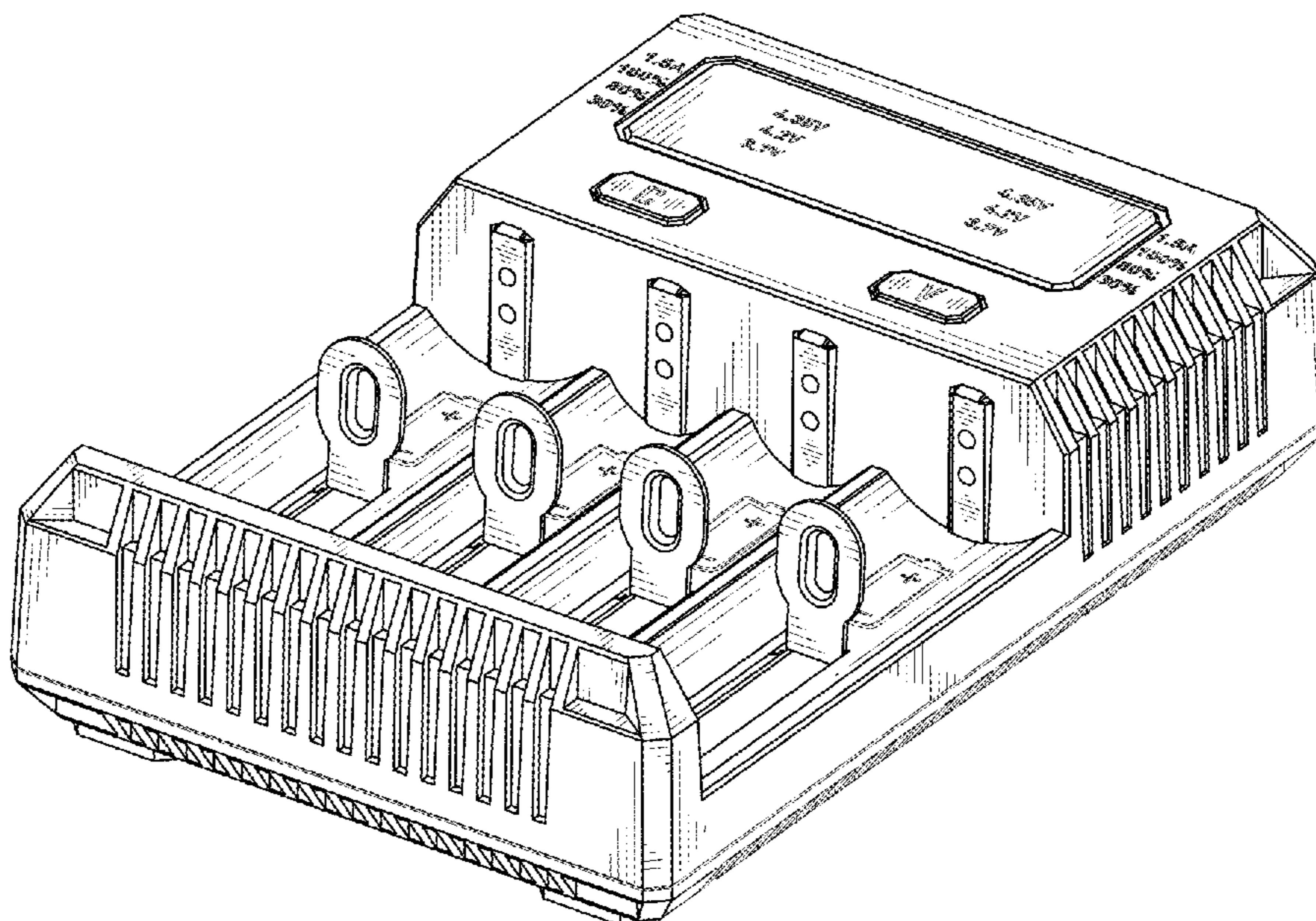
The ornamental design for a charger, as shown and described.

DESCRIPTION

FIG. 1 is a top right-side perspective view of a charger showing my new design;
FIG. 2 is a front view thereof;
FIG. 3 is a rear view thereof;
FIG. 4 is a left side view thereof, the right side being a mirror image thereof;
FIG. 5 is a top view thereof;
FIG. 6 is a bottom view thereof; and,
FIG. 7 is a perspective view thereof, shown in an environment of use.

The broken lines present in the figures are included for the purpose of illustrating portions of the article or environmental subject matter which form no part of the claimed design.

1 Claim, 7 Drawing Sheets



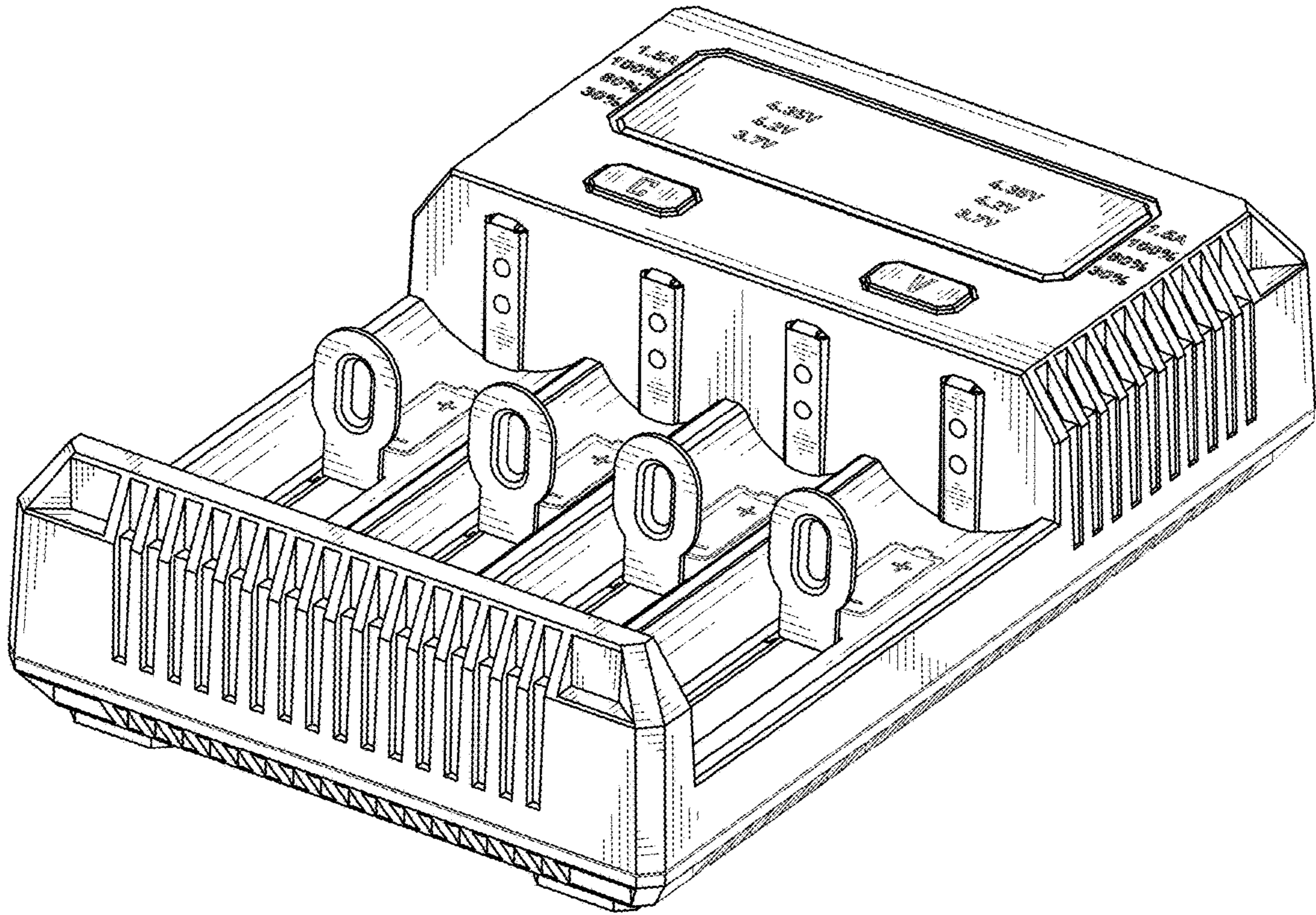


FIG. 1

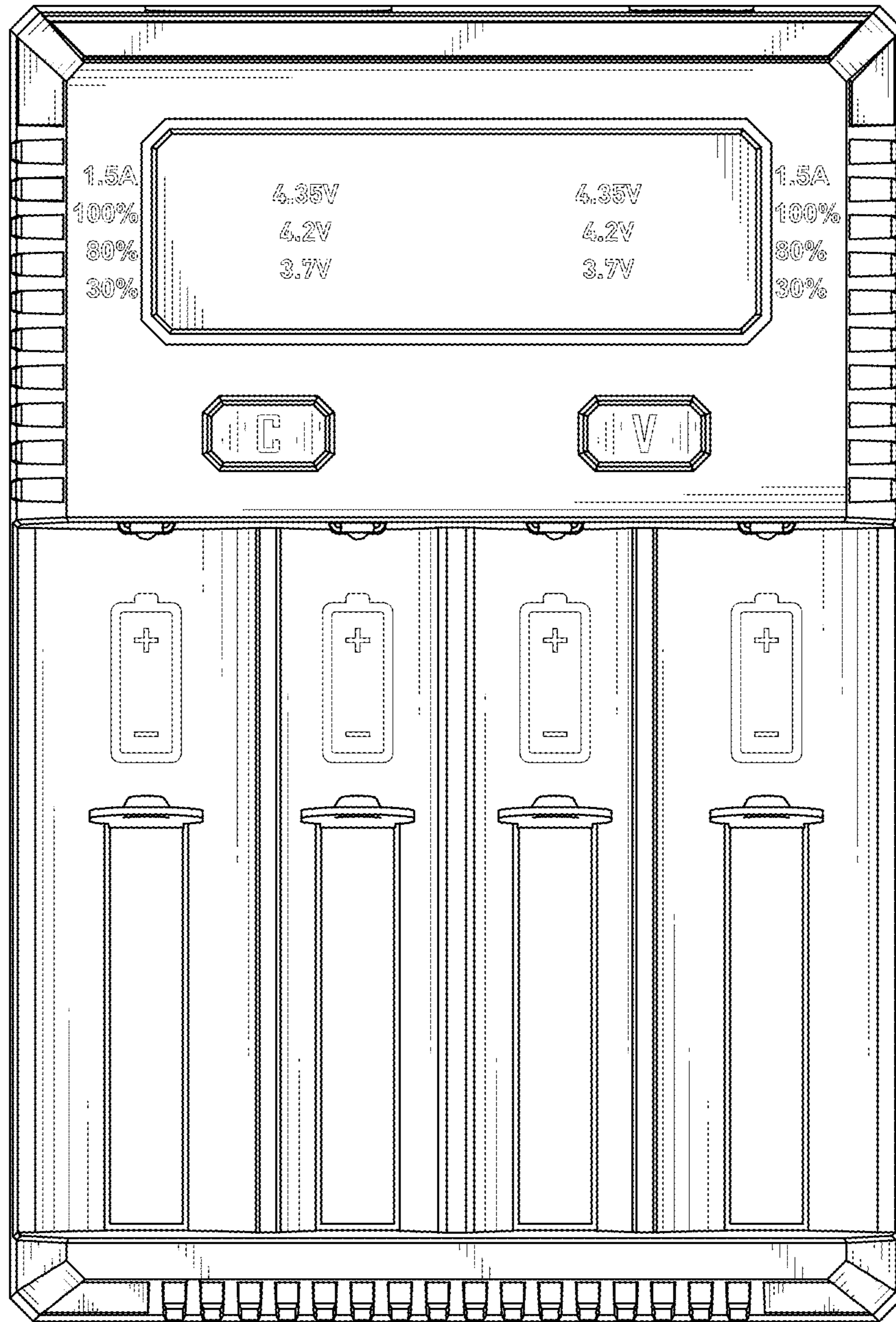


FIG. 2

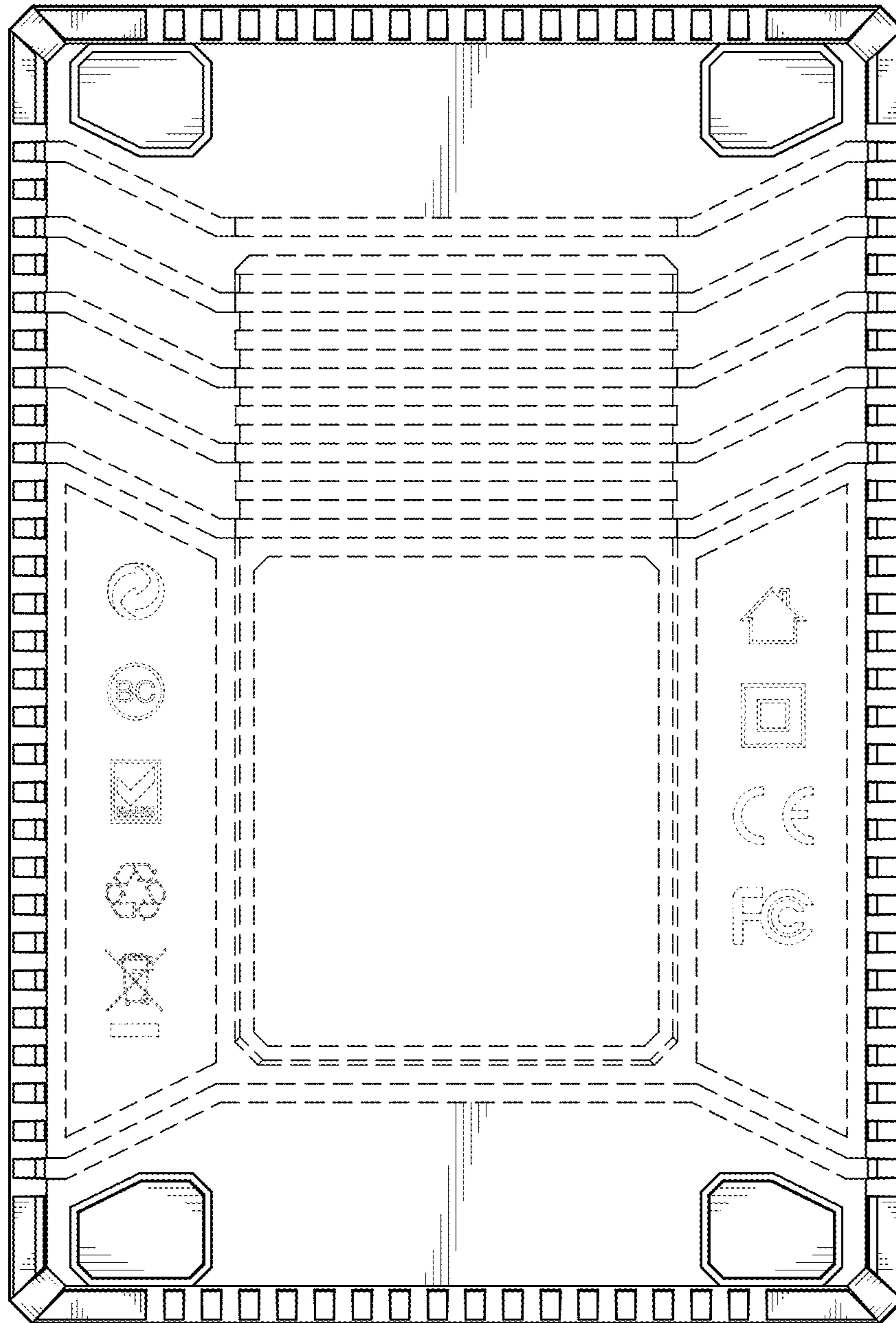


FIG. 3

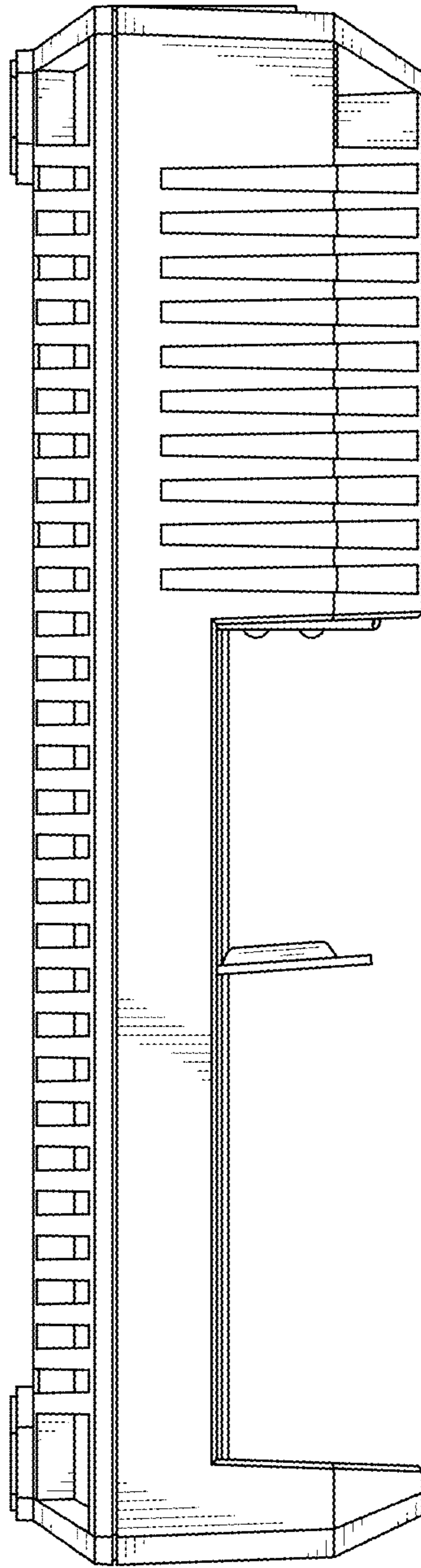


FIG. 4

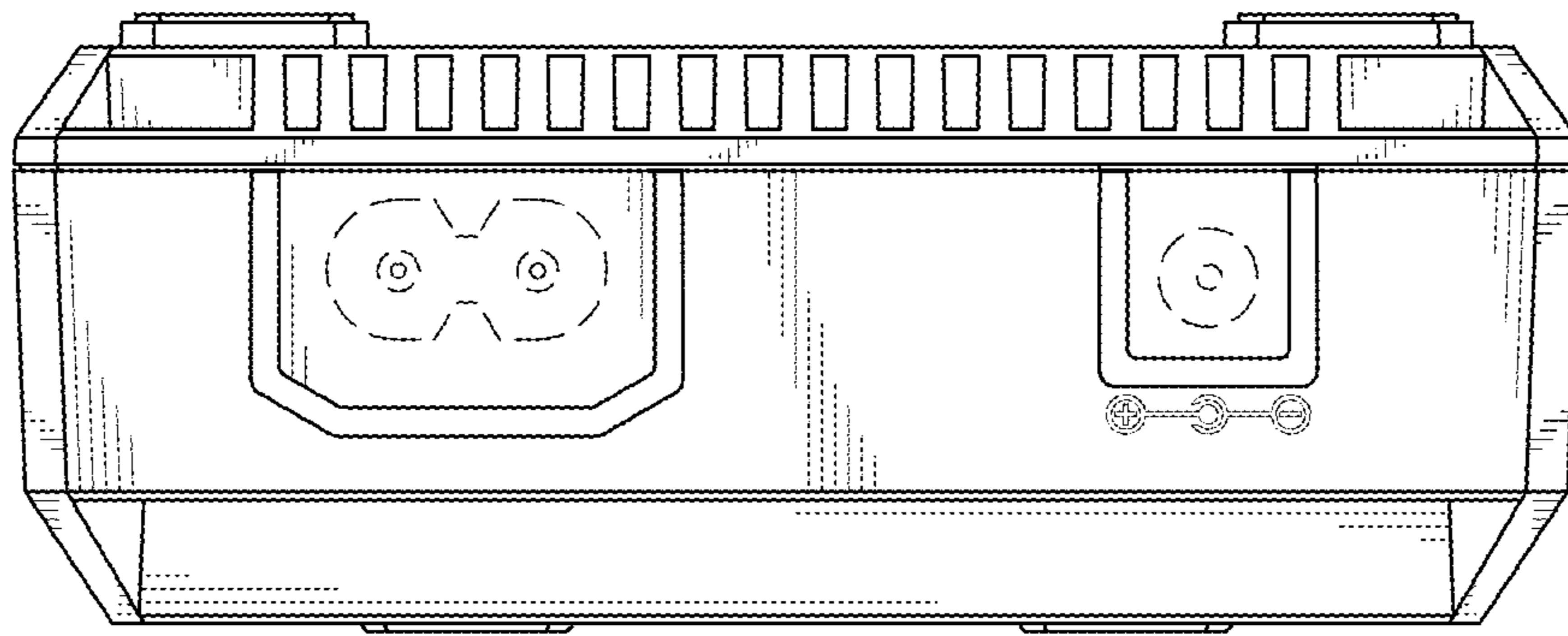


FIG. 5

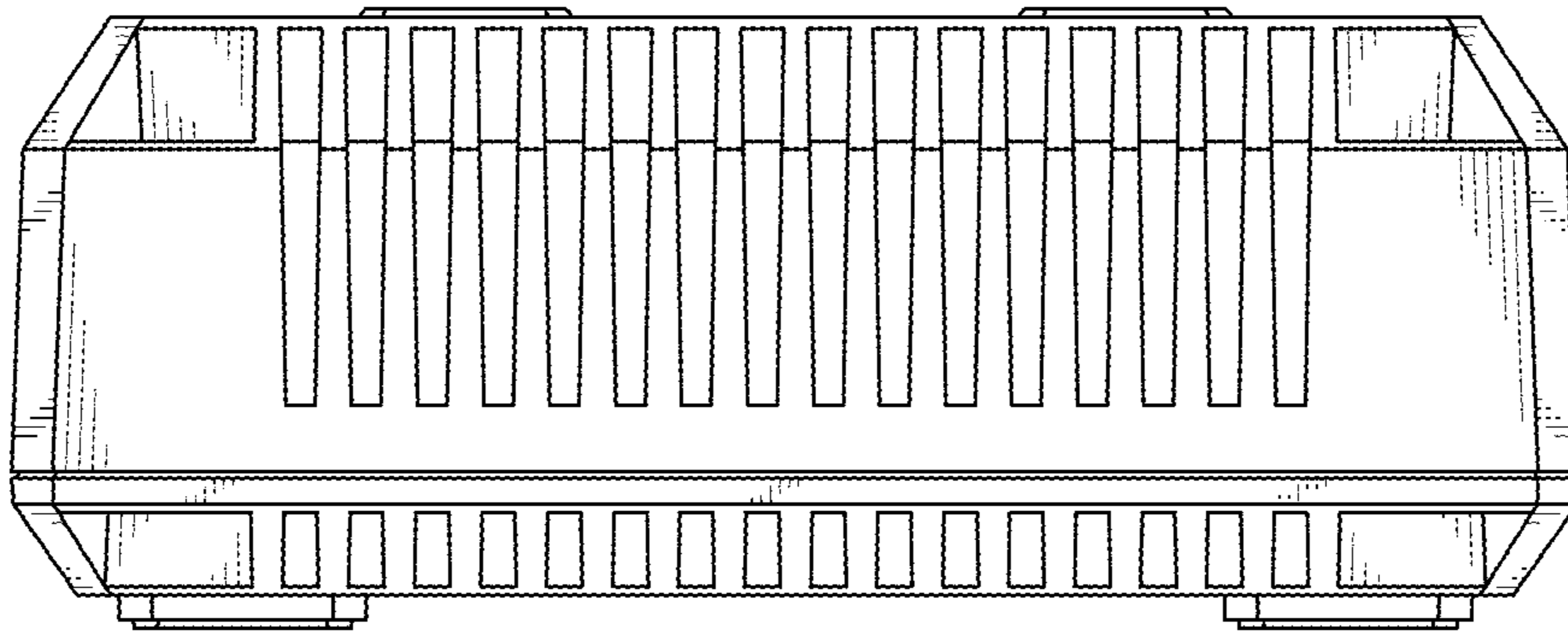


FIG. 6

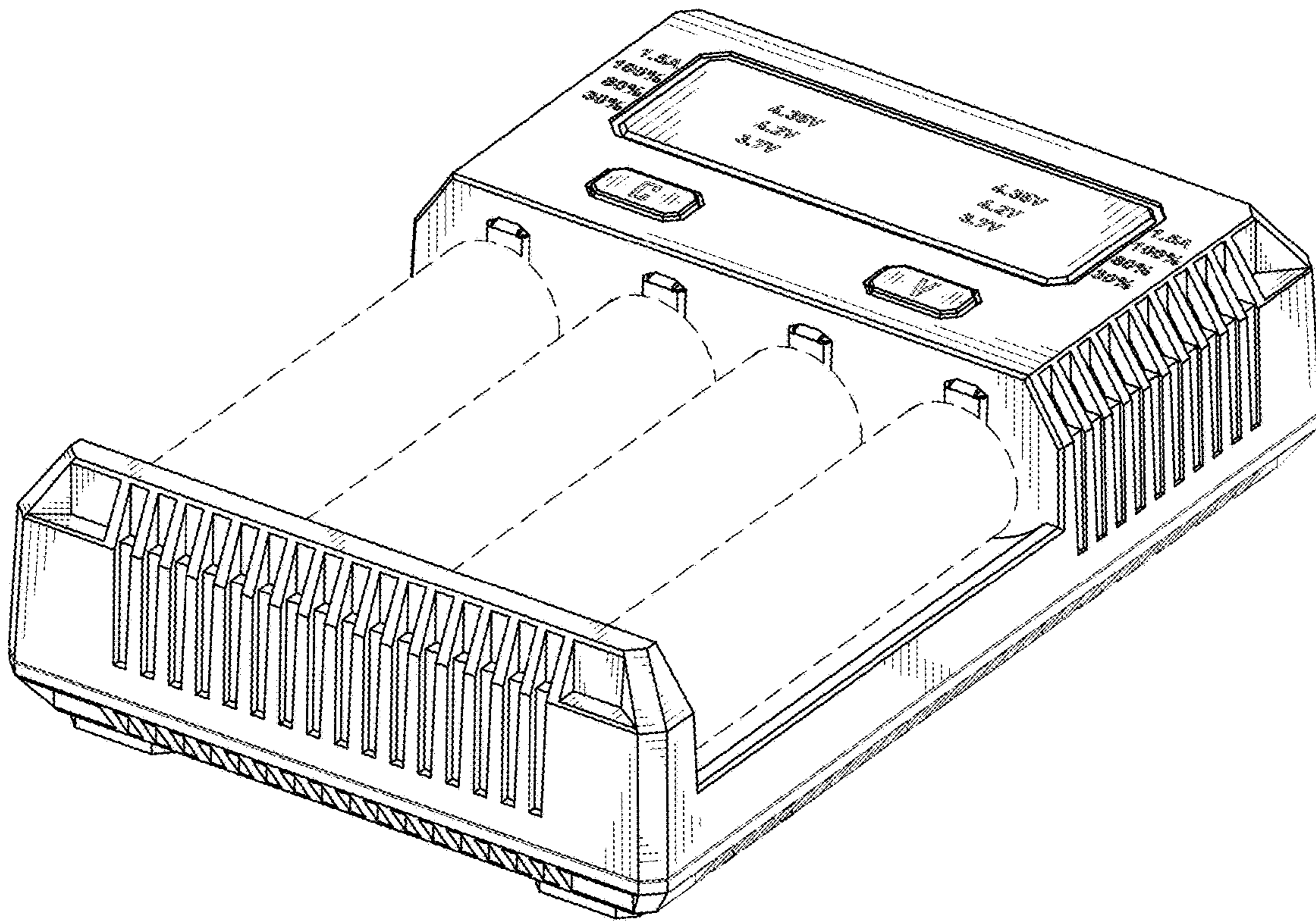


FIG. 7