



US00D808897S

(12) **United States Design Patent**  
**Mascolo et al.**

(10) **Patent No.:** **US D808,897 S**  
(45) **Date of Patent:** **\*\* Jan. 30, 2018**

(54) **MOUNT BODY FOR A SOLAR PANEL**

(71) Applicant: **OB REALTY, LLC**, Irvine, CA (US)

(72) Inventors: **Gianluigi Mascolo**, Milpitas, CA (US);  
**Jason Zerweck**, Milpitas, CA (US);  
**Jonathan D. Albert**, Milpitas, CA (US)

(73) Assignee: **OB Realty, LLC**, Irvine, CA (US)

(\*\*) Term: **15 Years**

(21) Appl. No.: **29/568,500**

(22) Filed: **Jun. 19, 2016**

(51) **LOC (11) Cl.** ..... **13-02**

(52) **U.S. Cl.**  
USPC ..... **D13/102**

(58) **Field of Classification Search**  
USPC ..... D6/300, 301, 302, 308, 310, 566;  
D8/323, 333, 343, 344, 349, 354, 355,  
D8/356, 363, 373, 376, 377, 380, 381,  
D8/382, 394, 396, 400; D13/101, 102,  
D13/103, 118, 119, 184, 199; D26/1, 2,  
D26/37, 41, 61, 68, 70, 74, 96, 107, 142  
CPC ..... H01L 31/00; Y02E 10/00; Y02E 10/40;  
Y02E 10/41; Y02E 10/42; Y02E 10/43;  
Y02E 10/44; Y02E 10/45; Y02E 10/46;  
Y02E 10/47; Y02E 10/50; Y02E 10/51;  
Y02E 10/52; Y02B 10/00; H02S 10/00;  
H02S 20/00; H02S 20/10; H02S 20/21;  
H02S 20/22; H02S 20/23; H02S 20/24;  
H02S 20/25; H02S 20/26; H02S 20/30;  
H02S 20/32

See application file for complete search history.

(56) **References Cited**

**U.S. PATENT DOCUMENTS**

6,672,018 B2 \* 1/2004 Shingleton ..... F24J 2/5205  
126/621  
D710,298 S \* 8/2014 Jie ..... D13/102  
D743,329 S \* 11/2015 Aiken ..... D13/102

D784,593 S \* 4/2017 Ambrozus ..... D26/74  
2014/0182662 A1 \* 7/2014 West ..... F24J 2/5264  
136/251  
2015/0107669 A1 \* 4/2015 Gotoh ..... C09K 3/1018  
136/259  
2016/0315580 A1 \* 10/2016 Patton ..... H01L 31/042  
2017/0104118 A9 \* 4/2017 West ..... H01L 31/042

**OTHER PUBLICATIONS**

Qmark, posted at Infraredheaters.com, posted on Oct. 5, 2011, [online], [site visited May 5, 2017]. Available from Internet, <<https://web-beta.archive.org/web/20111005231757/https://www.infraredheaters.com/ceiling.html>>.\*  
Installing a Renogy 200W, posted at Loveyourrv.com, posted at Dec. 27, 2014, [online], [site visited May 5, 2017]. Available from Internet, <[http://www.loveyourrv.com/installing-renogy-200w-solar-kit-rv/#!gallery\[3\]/ML/11369](http://www.loveyourrv.com/installing-renogy-200w-solar-kit-rv/#!gallery[3]/ML/11369)>.\*

\* cited by examiner

*Primary Examiner* — Mary Ann Calabrese  
*Assistant Examiner* — Catherine Ho  
(74) *Attorney, Agent, or Firm* — Howard IP Law Group

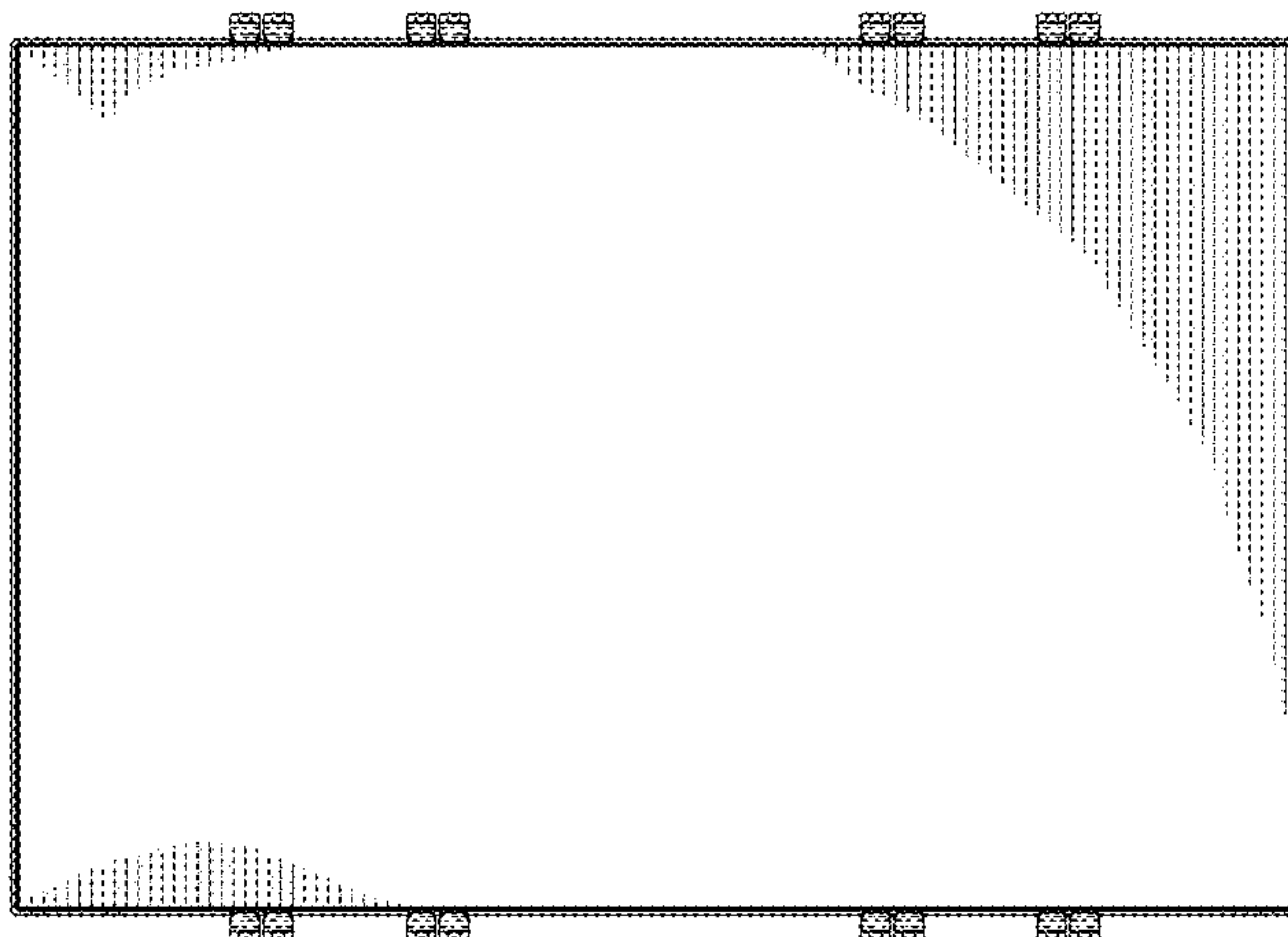
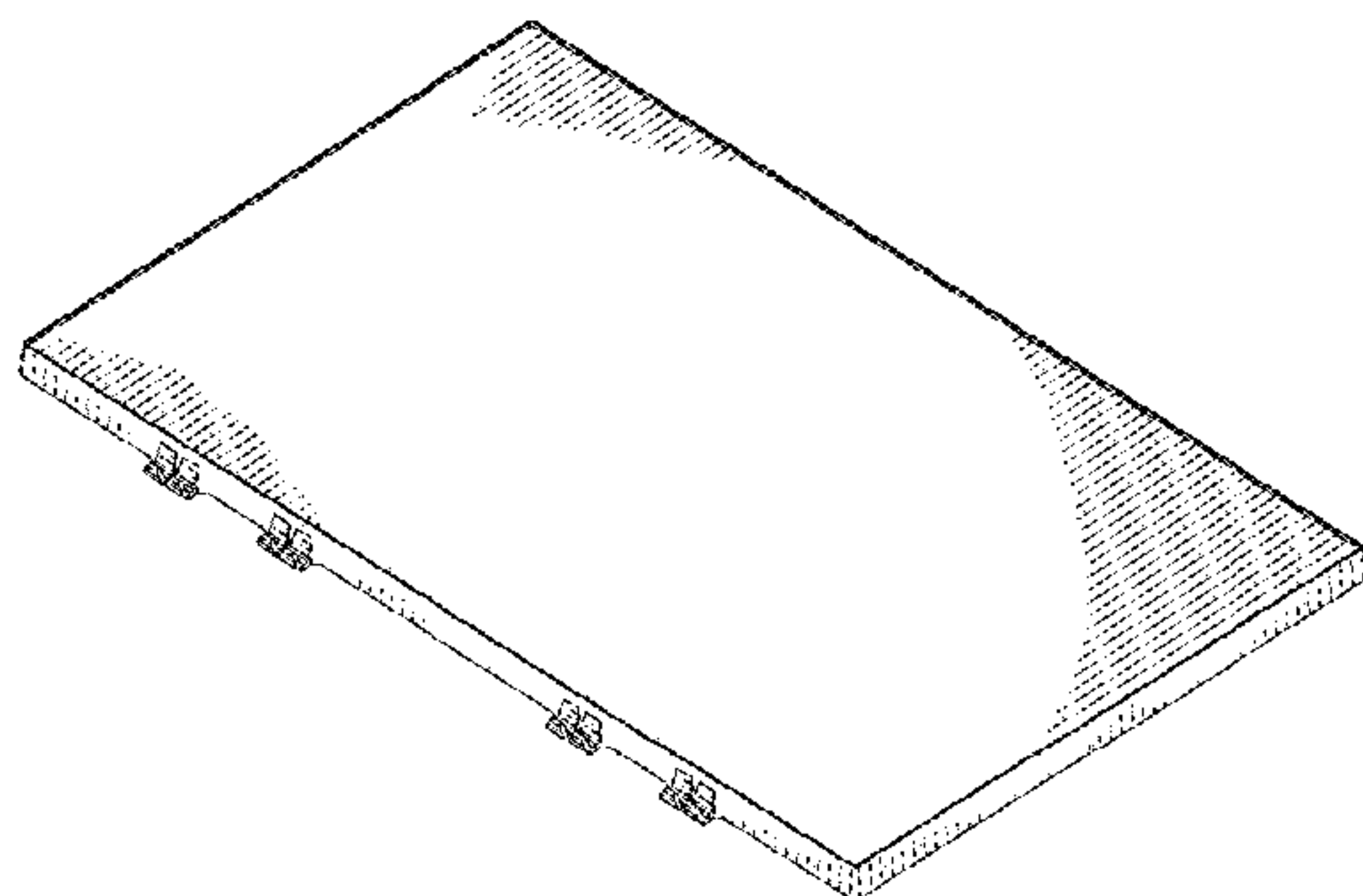
(57) **CLAIM**

The ornamental design for a mount body for a solar panel, as shown and described.

**DESCRIPTION**

FIG. 1 is a top front perspective view of a mount body for a solar panel showing our new design;  
FIG. 2 is a front view thereof;  
FIG. 3 is a rear view thereof;  
FIG. 4 is a left side view thereof;  
FIG. 5 is a right side view thereof;  
FIG. 6 is a top view thereof; and,  
FIG. 7 is a bottom view thereof.  
The broken lines shown on the bottom perimeter of the mount body for a solar panel in FIG. 7 constitute a boundary of the claimed design and form no part thereof.

**1 Claim, 4 Drawing Sheets**



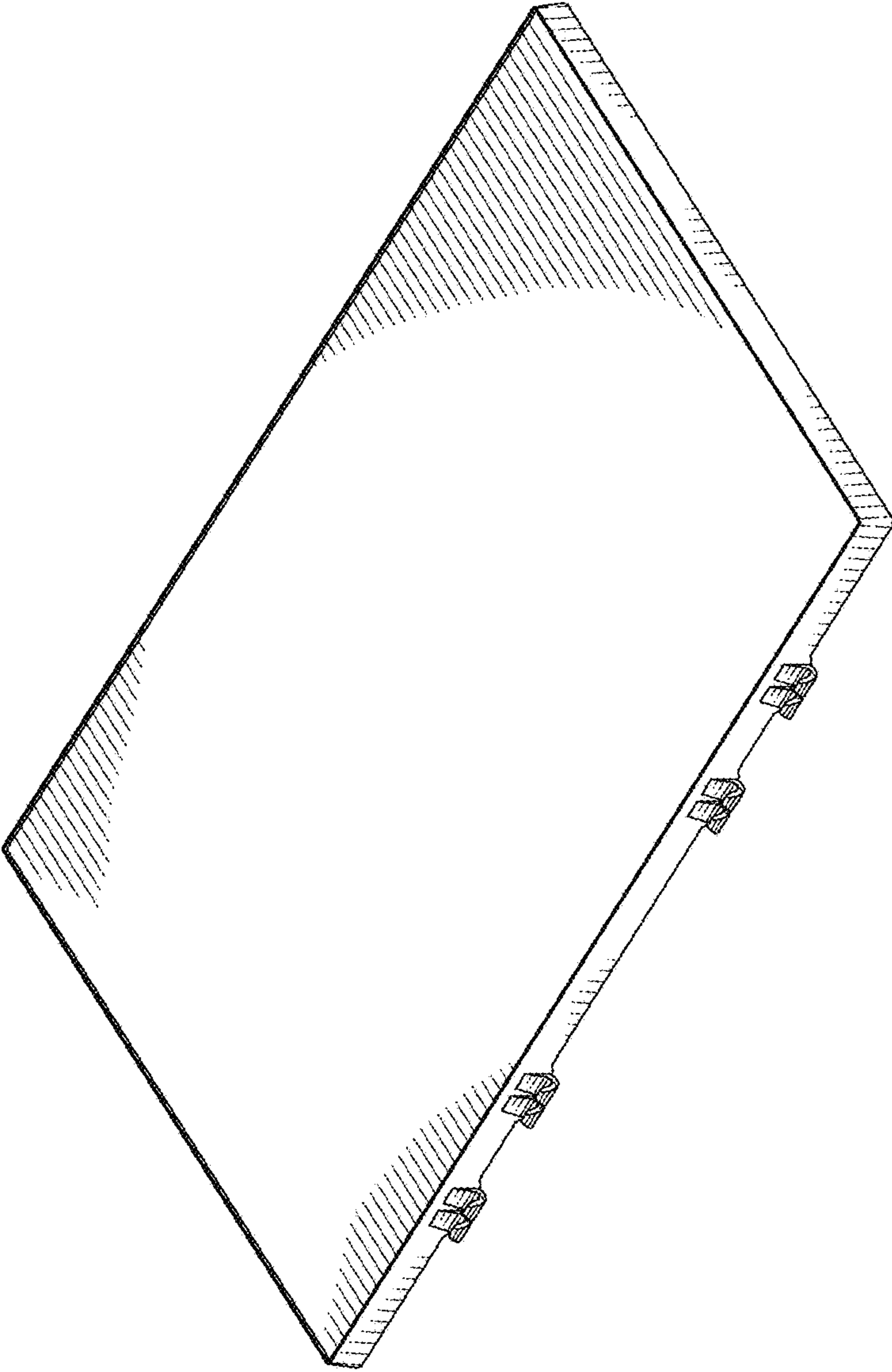


FIG. 1



FIG. 2



FIG. 3

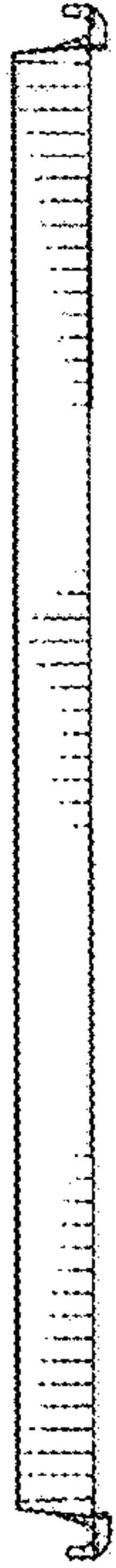


FIG. 4

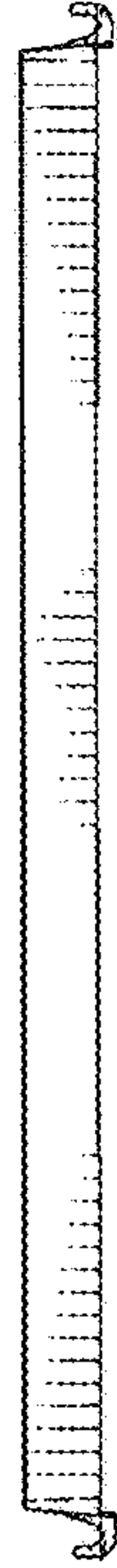


FIG. 5

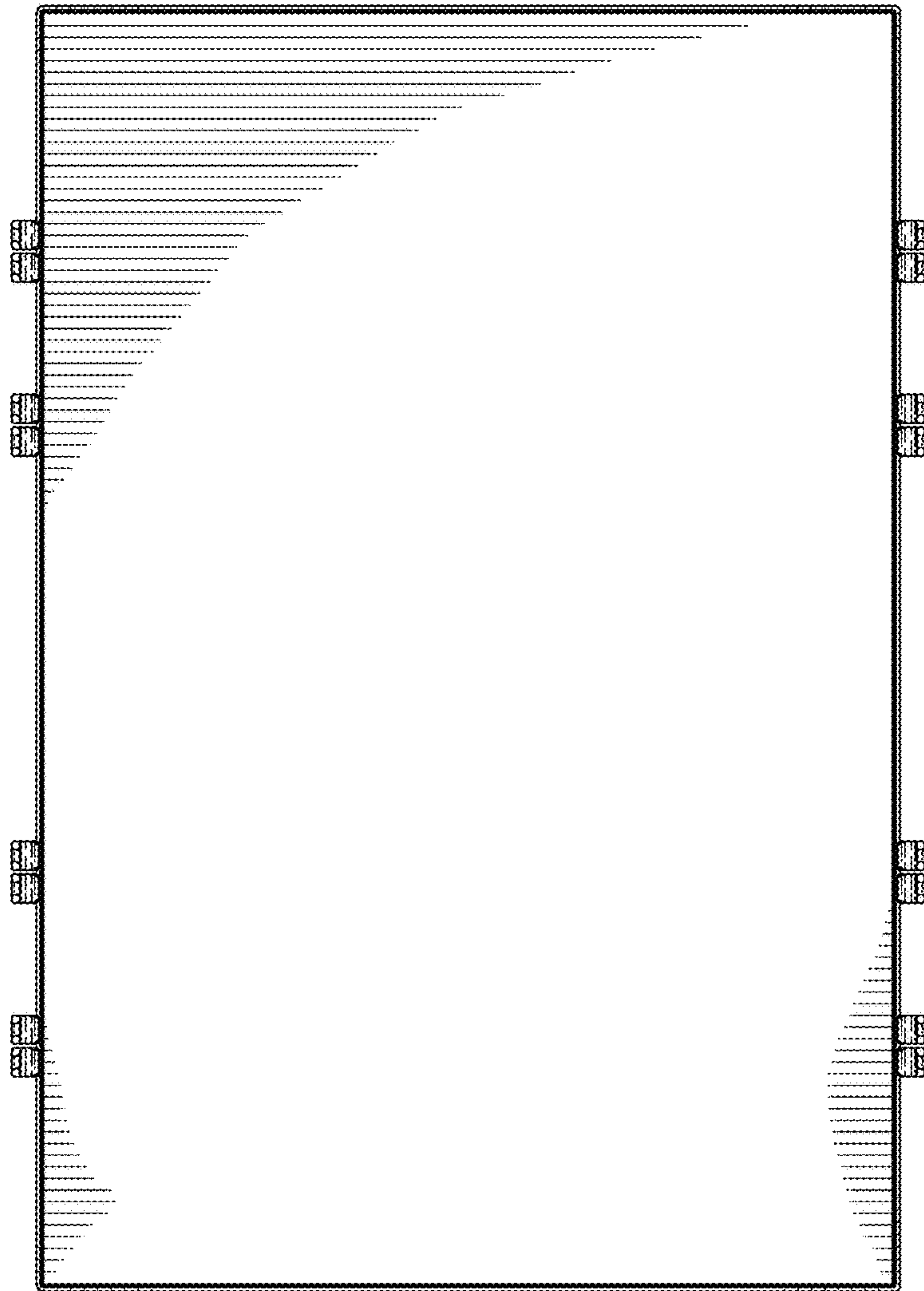


FIG. 6

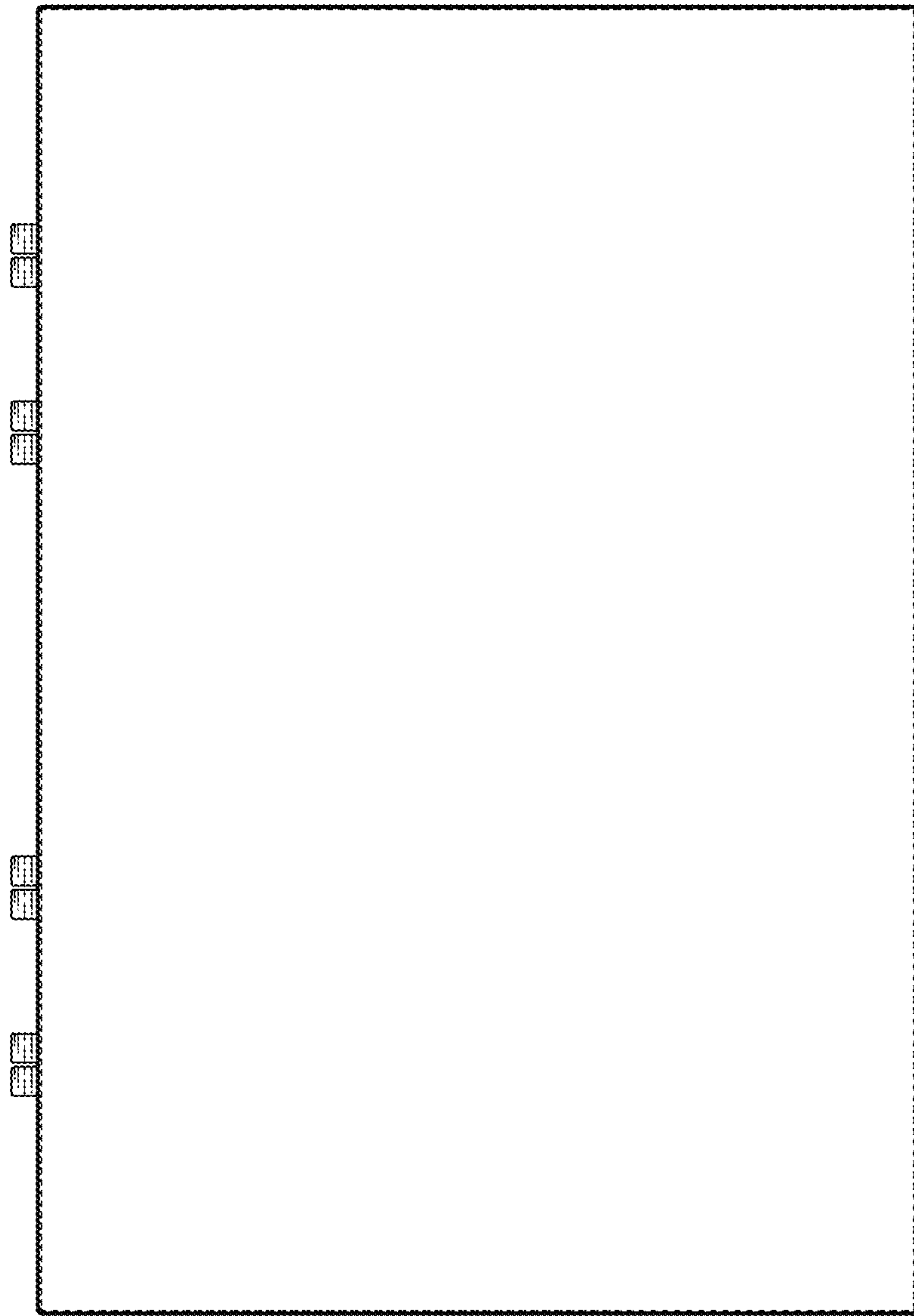


FIG. 7