



US00D808896S

(12) **United States Design Patent** (10) **Patent No.:** **US D808,896 S**  
**Tsionidis et al.** (45) **Date of Patent:** **\*\* Jan. 30, 2018**

(54) **VALVE REGULATOR**

(71) Applicant: **The Goodyear Tire & Rubber Company, Akron, OH (US)**

(72) Inventors: **Christos Tsionidis, Stuttgart (DE); Frank Herrigel, Mühlacker (DE); Marcus Boertje, Port Washington, NY (US)**

(73) Assignee: **The Goodyear Tire & Rubber Company, Akron, OH (US)**

(\*\*) Term: **15 Years**

(21) Appl. No.: **29/541,701**

(22) Filed: **Oct. 7, 2015**

(51) **LOC (11) Cl.** ..... **12-15**

(52) **U.S. Cl.**  
USPC ..... **D12/606**

(58) **Field of Classification Search**  
USPC ..... D12/606, 604; 137/224, 226, 12, 223; 152/450, 415, 430; D23/233, 235, 248, D23/249; D10/86; 73/732  
CPC ..... B60C 29/06; B60C 29/005; B60C 29/04; B60C 29/066; B60C 23/00; B60C 23/0494; B60C 29/068; B60C 23/0496; B60C 29/00; F16K 15/20  
See application file for complete search history.

(56) **References Cited**

**U.S. PATENT DOCUMENTS**

1,901,637 A \* 3/1933 Eger ..... B60C 29/04 152/430  
1,918,689 A \* 7/1933 Crowley ..... F16L 37/40 137/223

D268,924 S \* 5/1983 Winther ..... D12/606  
D304,817 S \* 11/1989 Earley ..... D12/606  
D624,010 S \* 9/2010 Tournier ..... D12/606  
2007/0137304 A1 \* 6/2007 Rutherford ..... B60C 23/0496 73/732  
2016/0046157 A1 \* 2/2016 Lin ..... B60C 23/004 152/450  
2017/0144492 A1 \* 5/2017 Lamgaday ..... B60C 23/004  
2017/0144493 A1 \* 5/2017 Lamgaday ..... B60C 23/004

\* cited by examiner

*Primary Examiner* — Cynthia Ramirez

*Assistant Examiner* — Gino Colan

(74) *Attorney, Agent, or Firm* — Robert N. Lipsik

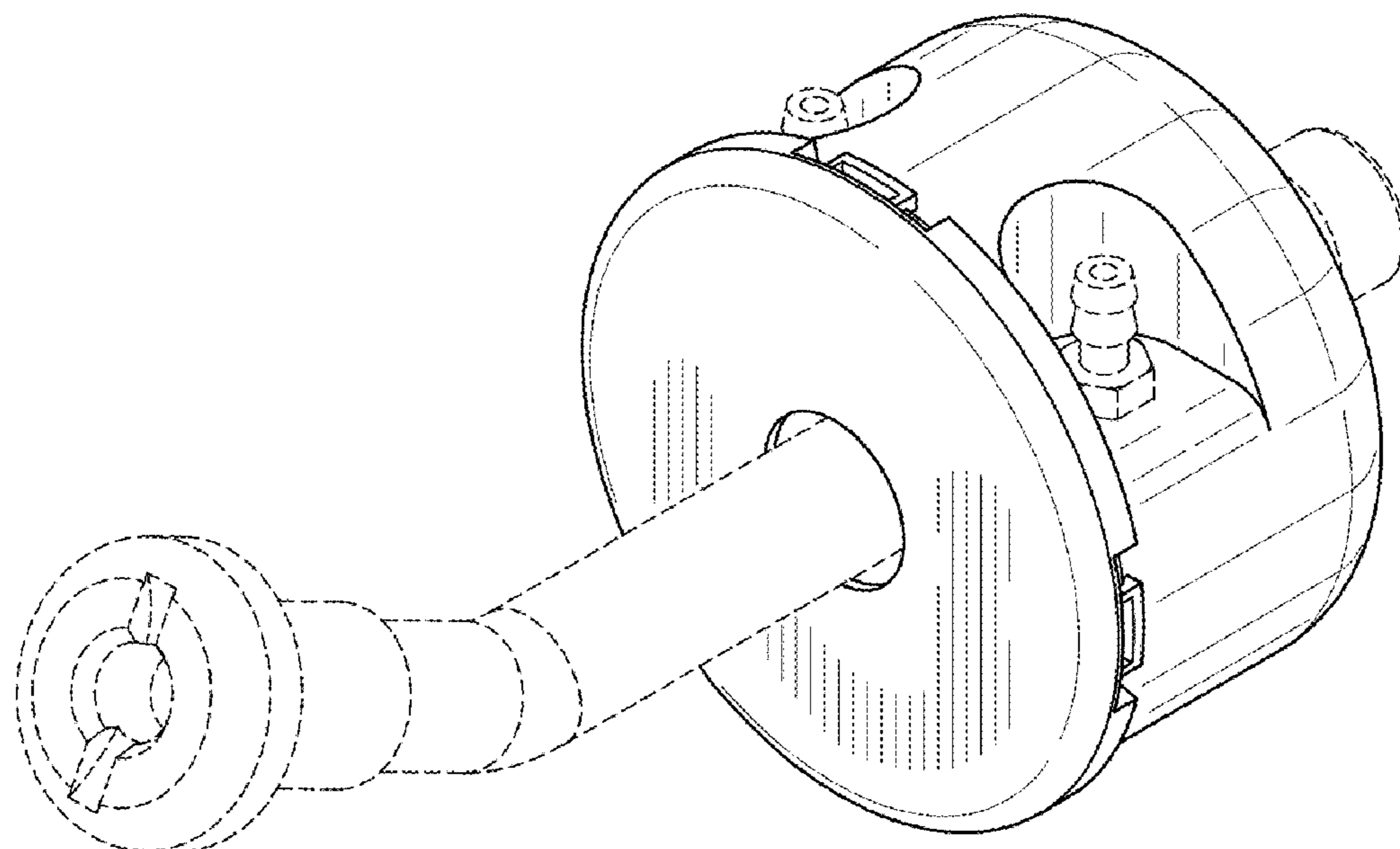
(57) **CLAIM**

The ornamental design for a valve regulator, as shown and described.

**DESCRIPTION**

FIG. 1 is a top left front perspective view of a valve regulator showing our new design;  
FIG. 2 top bottom right rear perspective view thereof;  
FIG. 3 is a left side elevational view thereof;  
FIG. 4 is a right side elevational view thereof;  
FIG. 5 is a top plan view thereof;  
FIG. 6 is a bottom plan view thereof;  
FIG. 7 is a front elevational view thereof; and,  
FIG. 8 is a rear elevational view thereof.  
In the drawings, the broken lines showing of the inlet and outlet tubes depict environmental subject matter only and form no part of the claimed design.

**1 Claim, 3 Drawing Sheets**



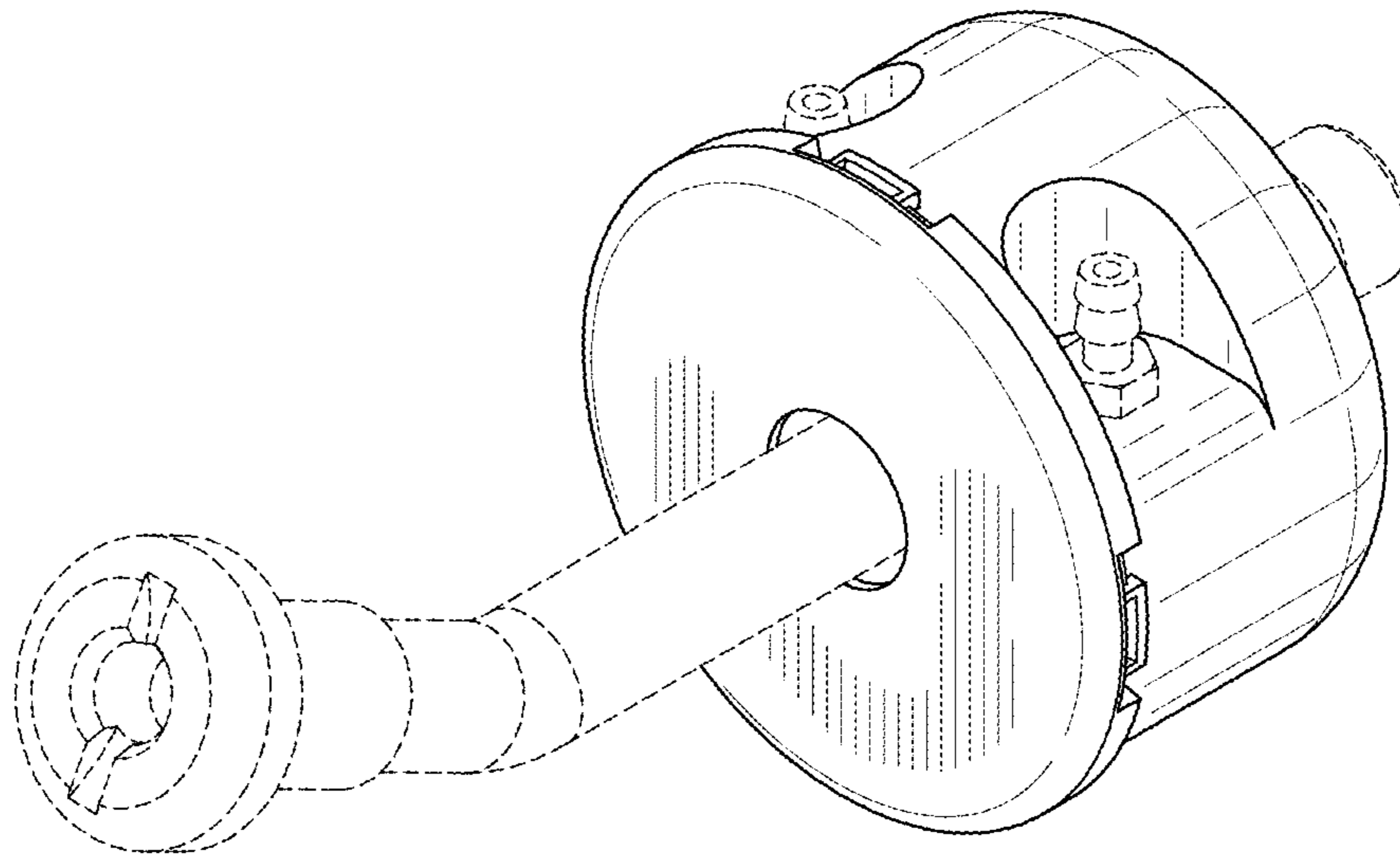


FIG. 1

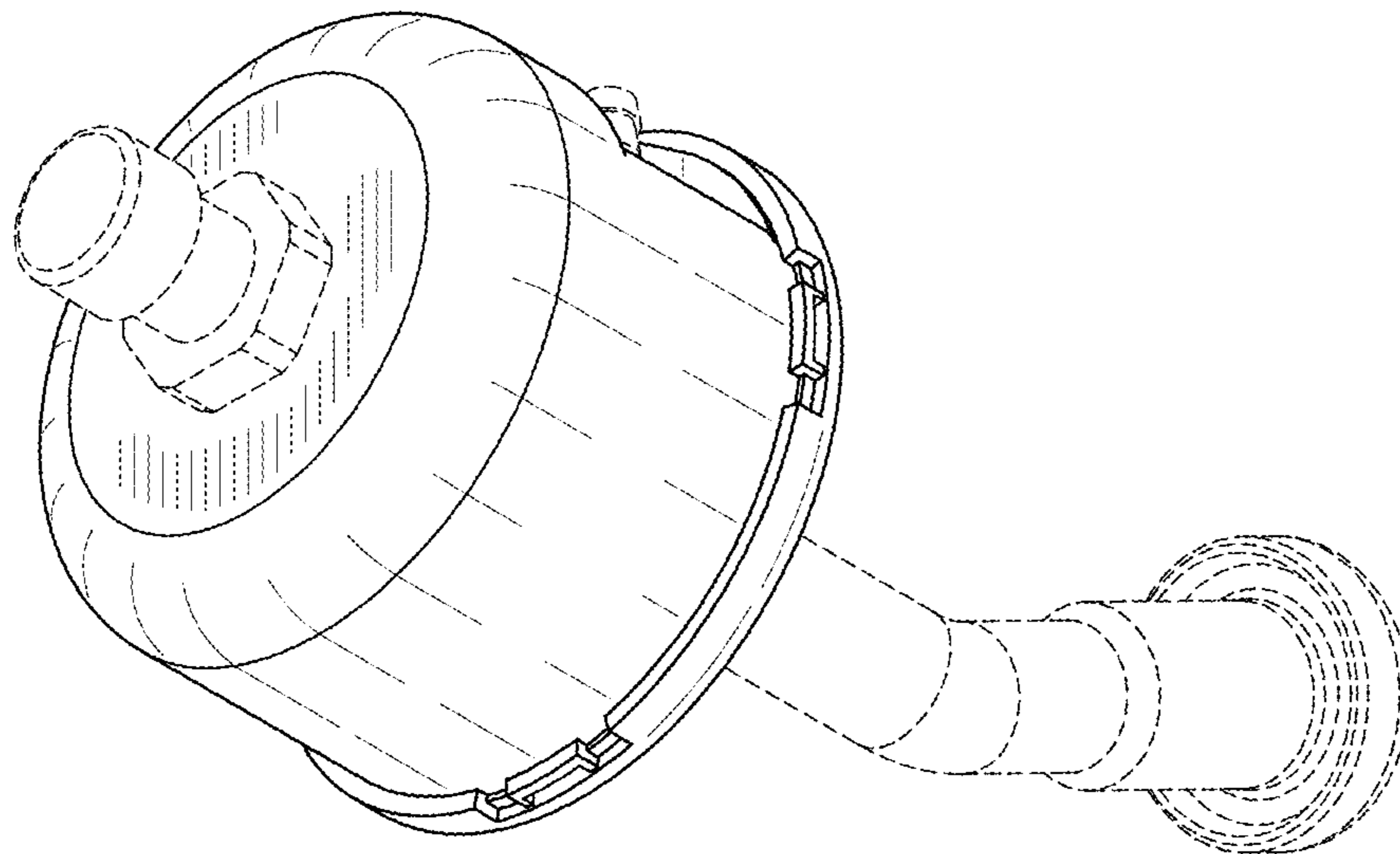


FIG. 2

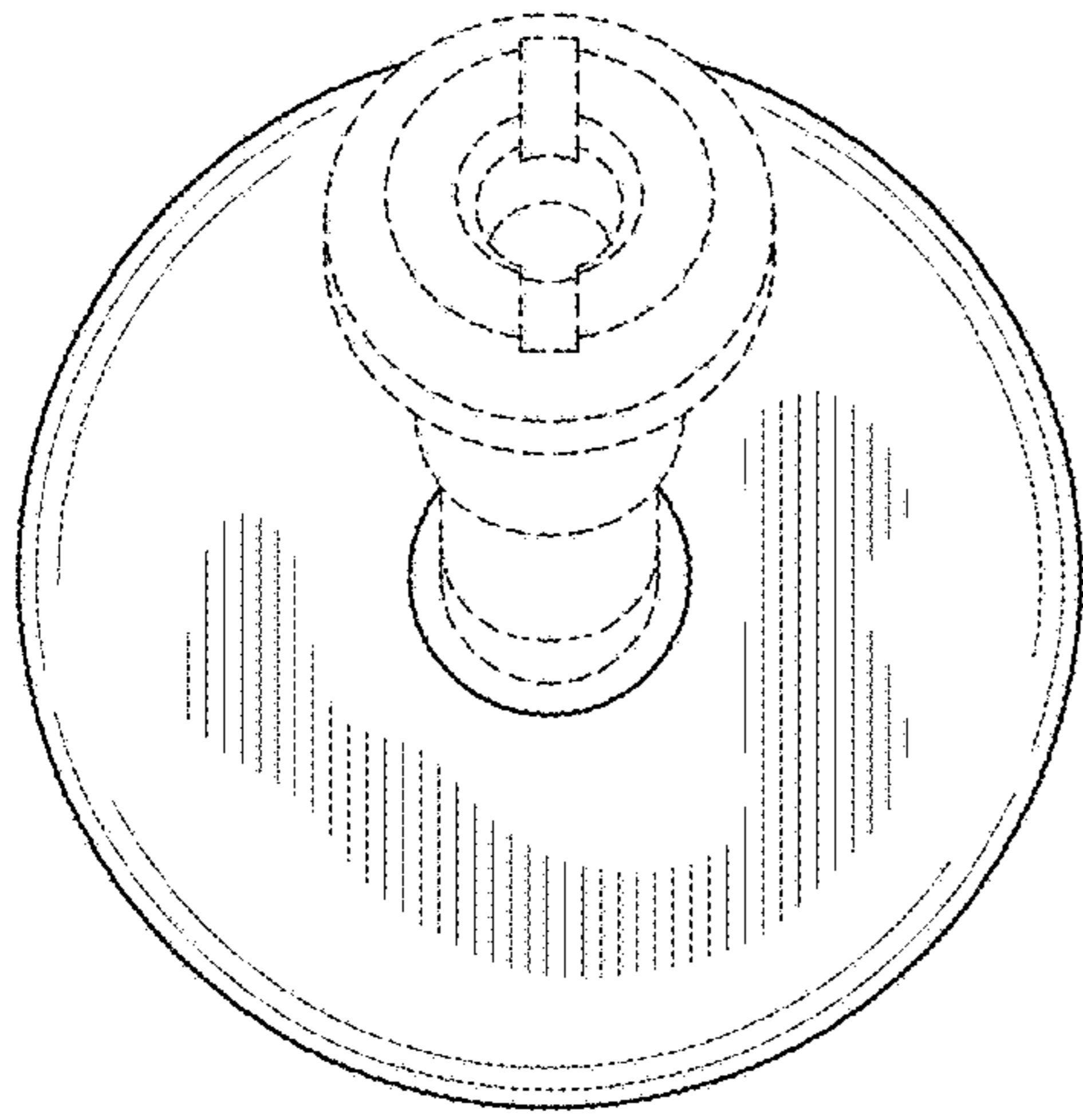


FIG. 3

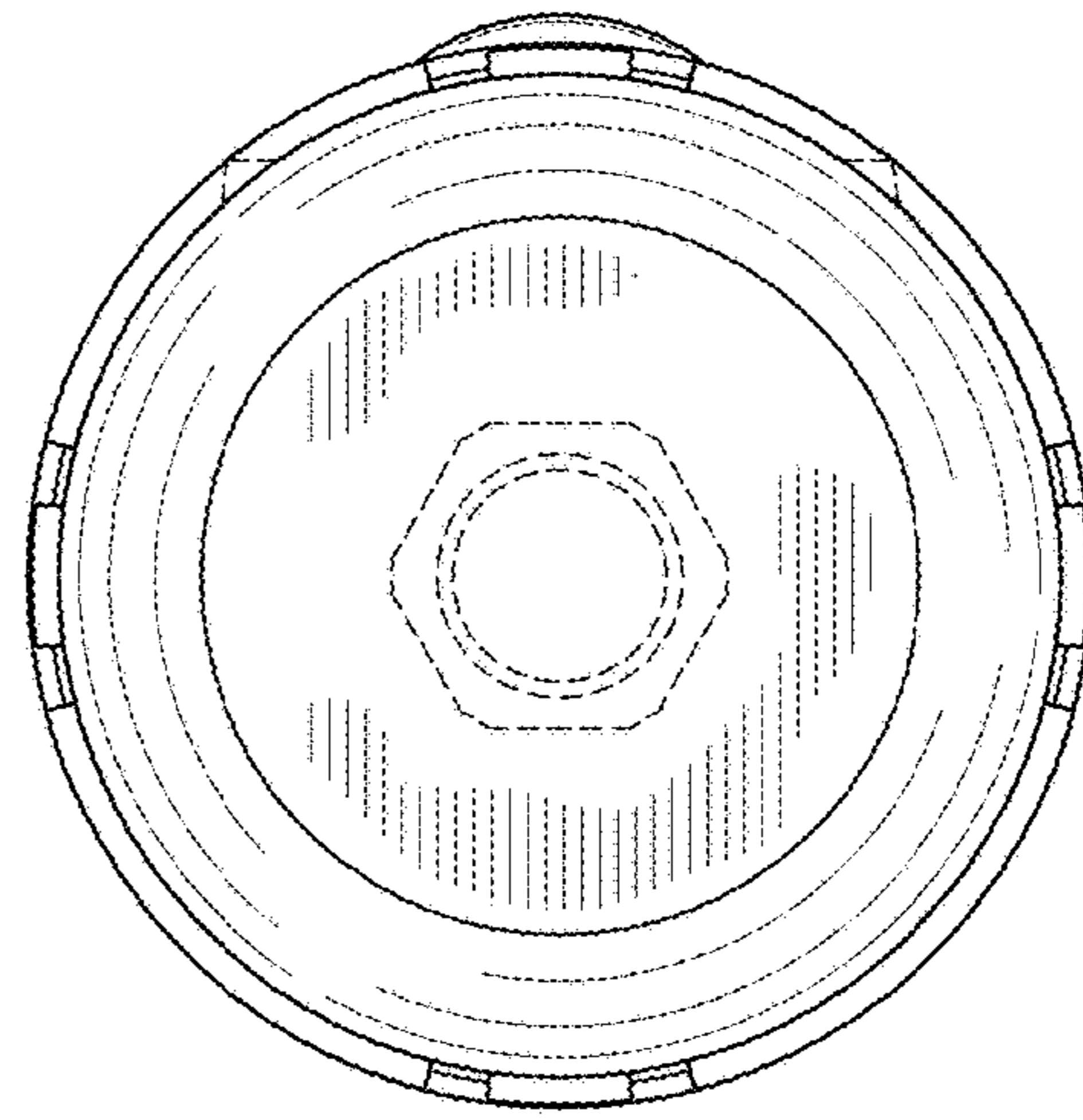


FIG. 4

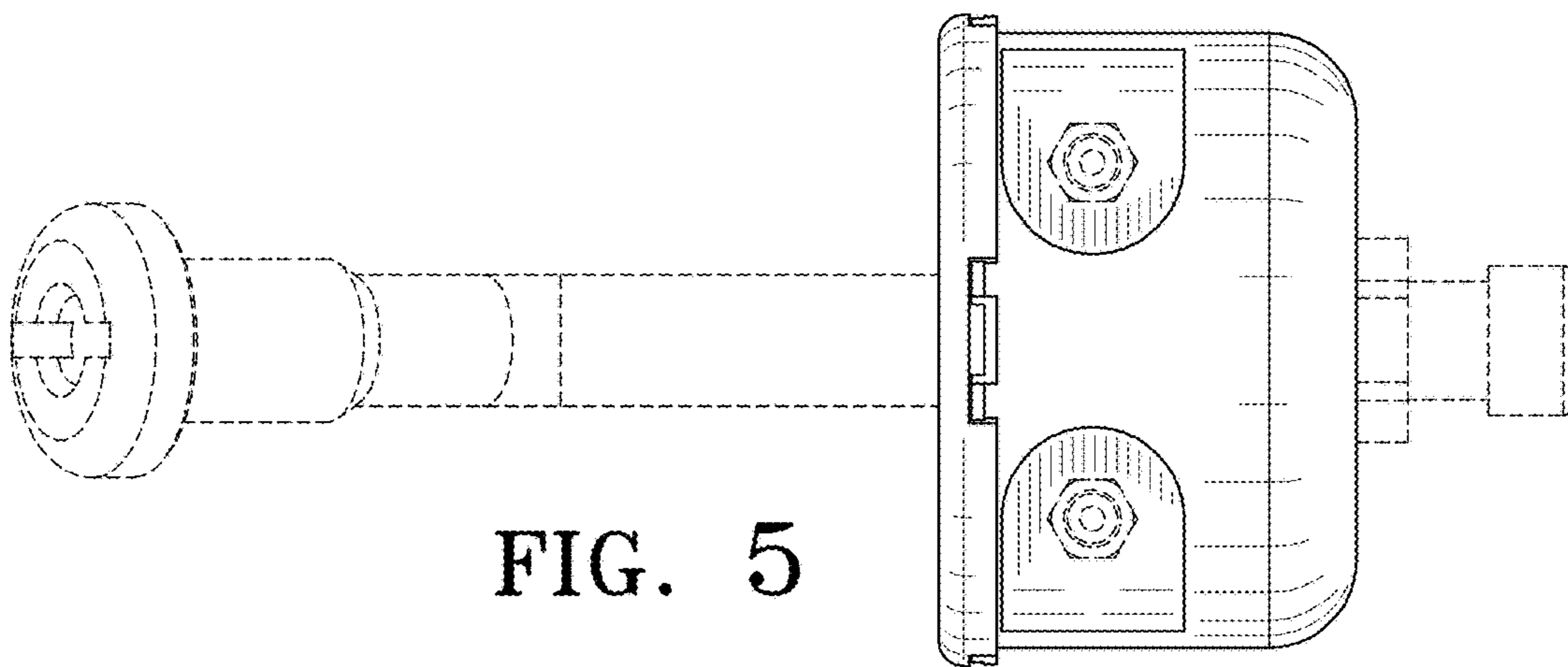


FIG. 5

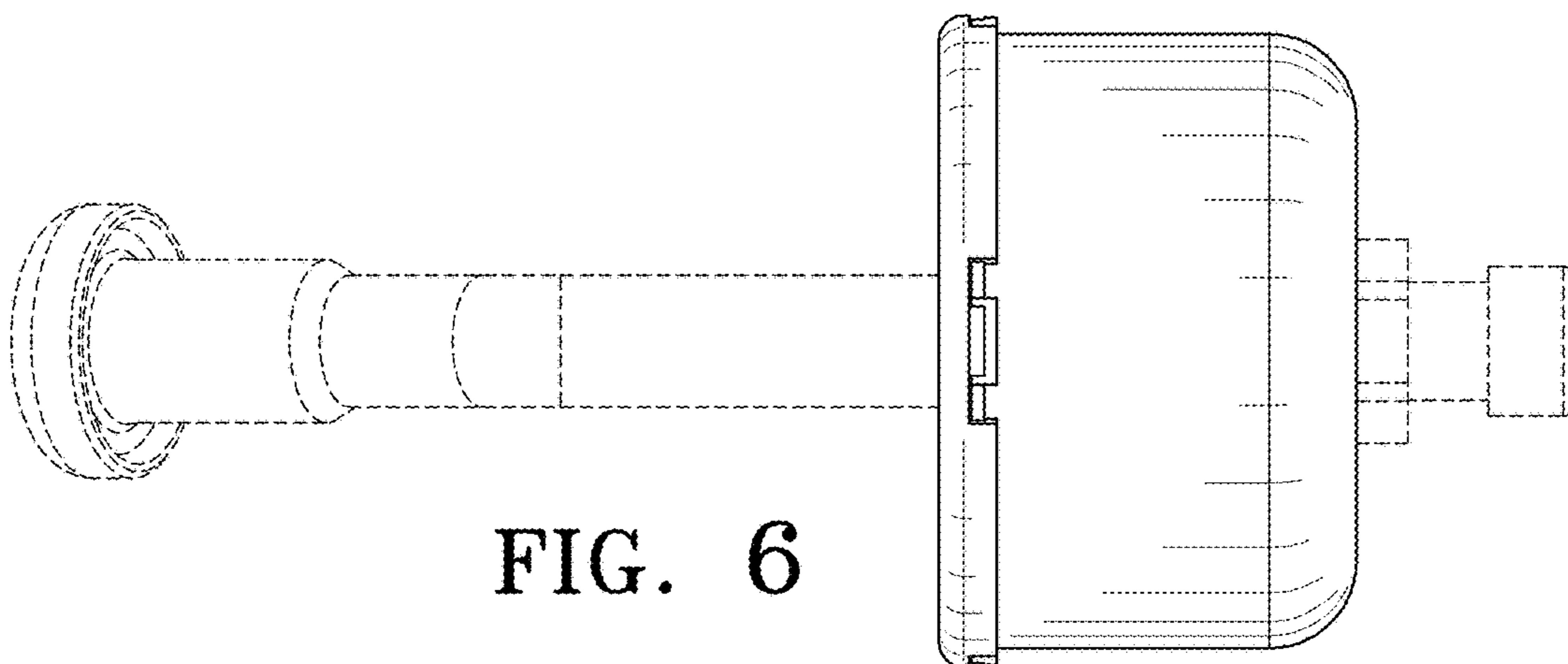


FIG. 6

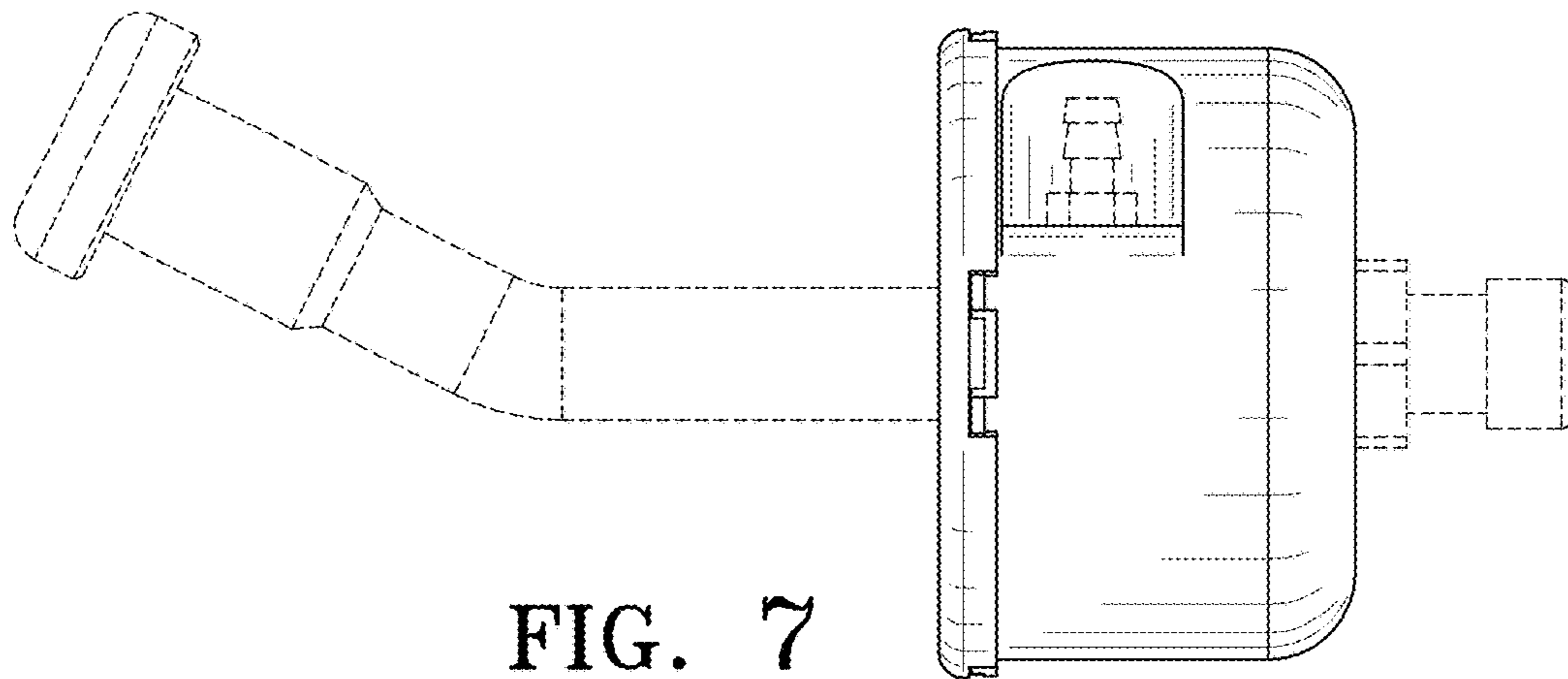


FIG. 7

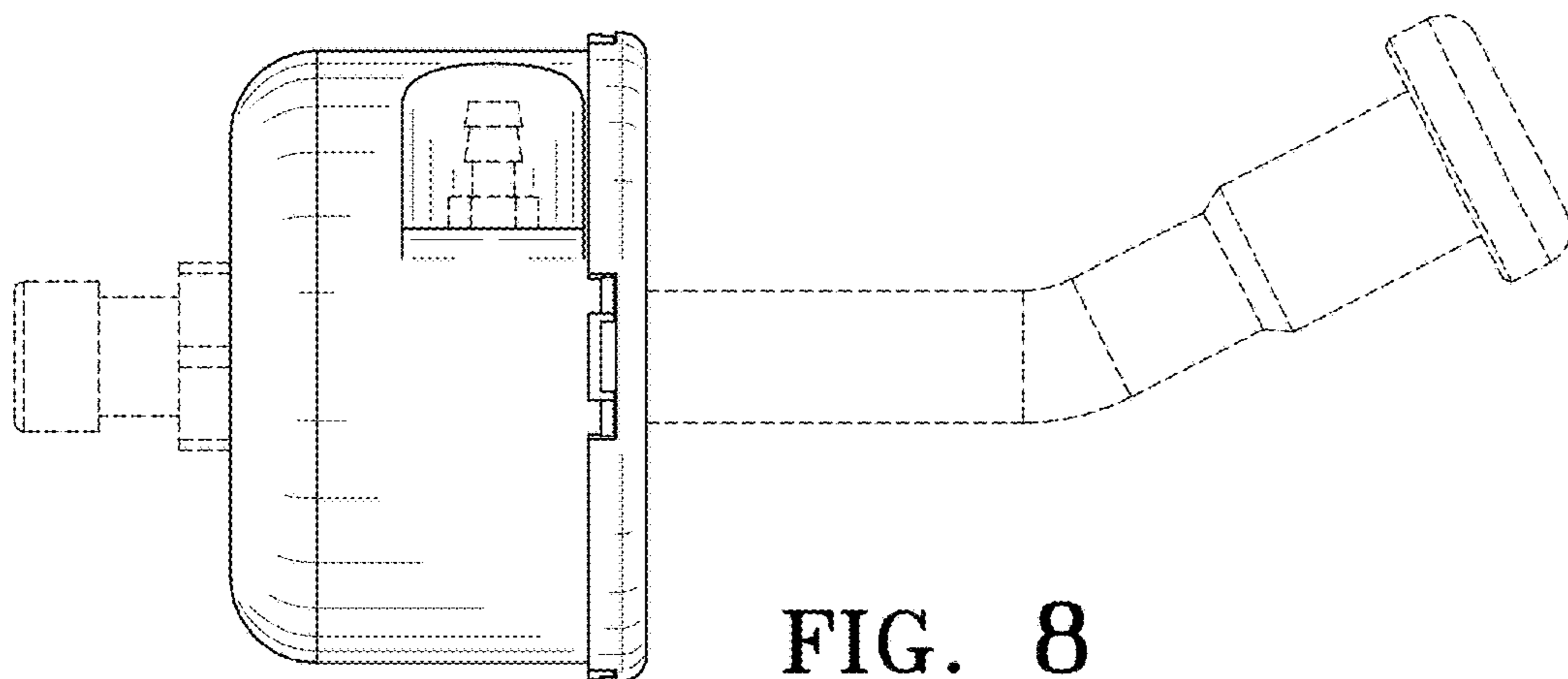


FIG. 8