



US00D808889S

(12) **United States Design Patent**  
**Puchkoff**

(10) **Patent No.:** **US D808,889 S**

(45) **Date of Patent:** **\*\* Jan. 30, 2018**

(54) **CLAMP**

(71) Applicant: **Jerome Puchkoff**, Boynton Beach, FL  
(US)

(72) Inventor: **Jerome Puchkoff**, Boynton Beach, FL  
(US)

(\*\*) Term: **15 Years**

(21) Appl. No.: **29/569,991**

(22) Filed: **Jul. 1, 2016**

(51) **LOC (11) Cl.** ..... **12-16**

(52) **U.S. Cl.**  
USPC ..... **D12/406**

(58) **Field of Classification Search**  
USPC ..... D12/406-414, 414.1; D32/35, 58;  
D6/317-319, 513-514  
CPC ..... B60R 9/00; B60R 2011/0042  
See application file for complete search history.

(56) **References Cited**

U.S. PATENT DOCUMENTS

D406,095 S *	2/1999	Denny	.....	D12/414
D638,345 S *	5/2011	Kanczuzewski	.....	D12/406
D669,014 S *	10/2012	Matijevich	.....	D12/223
D758,256 S *	6/2016	Cropley	.....	D12/412
D777,080 S *	1/2017	Cropley	.....	D12/412
2010/0101057 A1 *	4/2010	Danby	.....	B60R 21/217 24/16 R

2013/0221185 A1 *	8/2013	Ogawa	.....	F16L 3/13 248/634
2015/0151693 A1 *	6/2015	Inao	.....	B60R 16/0215 248/74.1
2017/0072872 A1 *	3/2017	Balmer	.....	F16M 13/022
2017/0241181 A1 *	8/2017	Reinke	.....	E05F 11/385

\* cited by examiner

*Primary Examiner* — Katrina A Betton

(74) *Attorney, Agent, or Firm* — A. Robert Weaver

(57) **CLAIM**

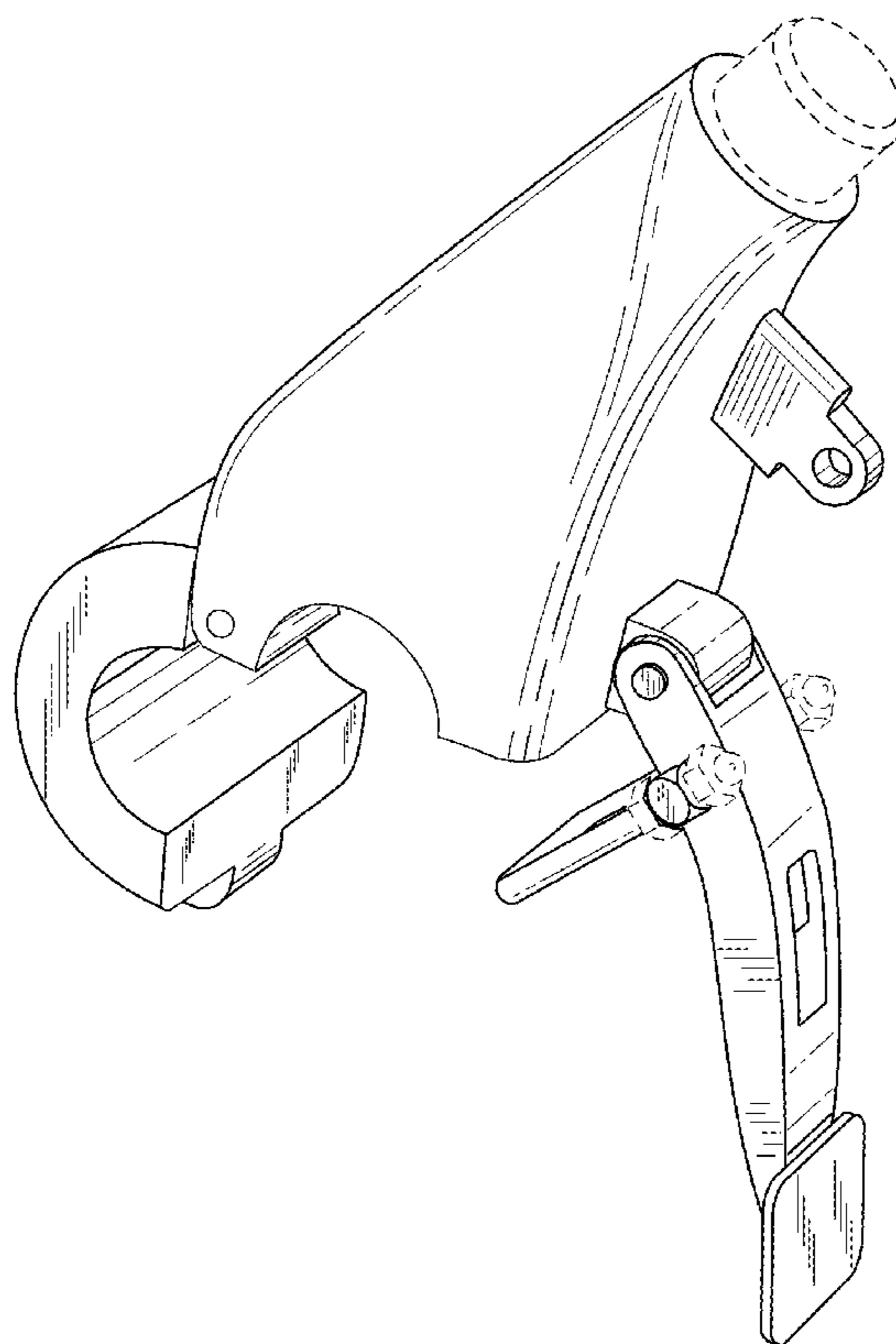
The ornamental design for a clamp, as shown and described.

**DESCRIPTION**

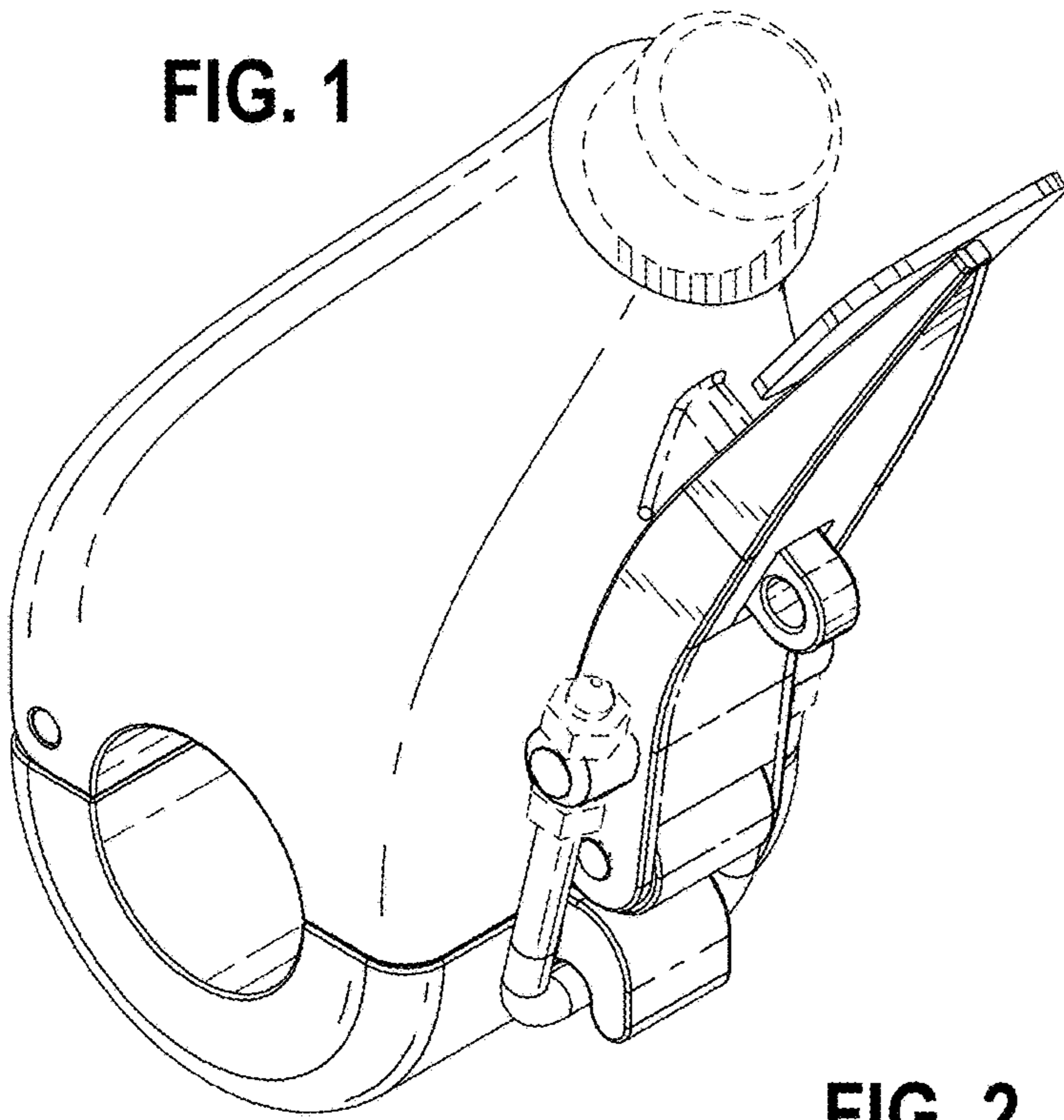
FIG. 1 is a front perspective view of an embodiment of clamp in a closed position;  
FIG. 2 is a side view of the clamp of FIG. 1;  
FIG. 3 is a rear view of the clamp of FIG. 1;  
FIG. 4 is a front view of the clamp of FIG. 1;  
FIG. 5 is a bottom view of the clamp of FIG. 1;  
FIG. 6 is a top view of the clamp of FIG. 1;  
FIG. 7 is an opposing side view of the Elbow of FIG. 1; and,  
FIG. 8 is a front perspective view of the clamp of FIG. 1 is an open position.

In the drawings, the broken lines depict portions of the article that form no part of the claimed design.

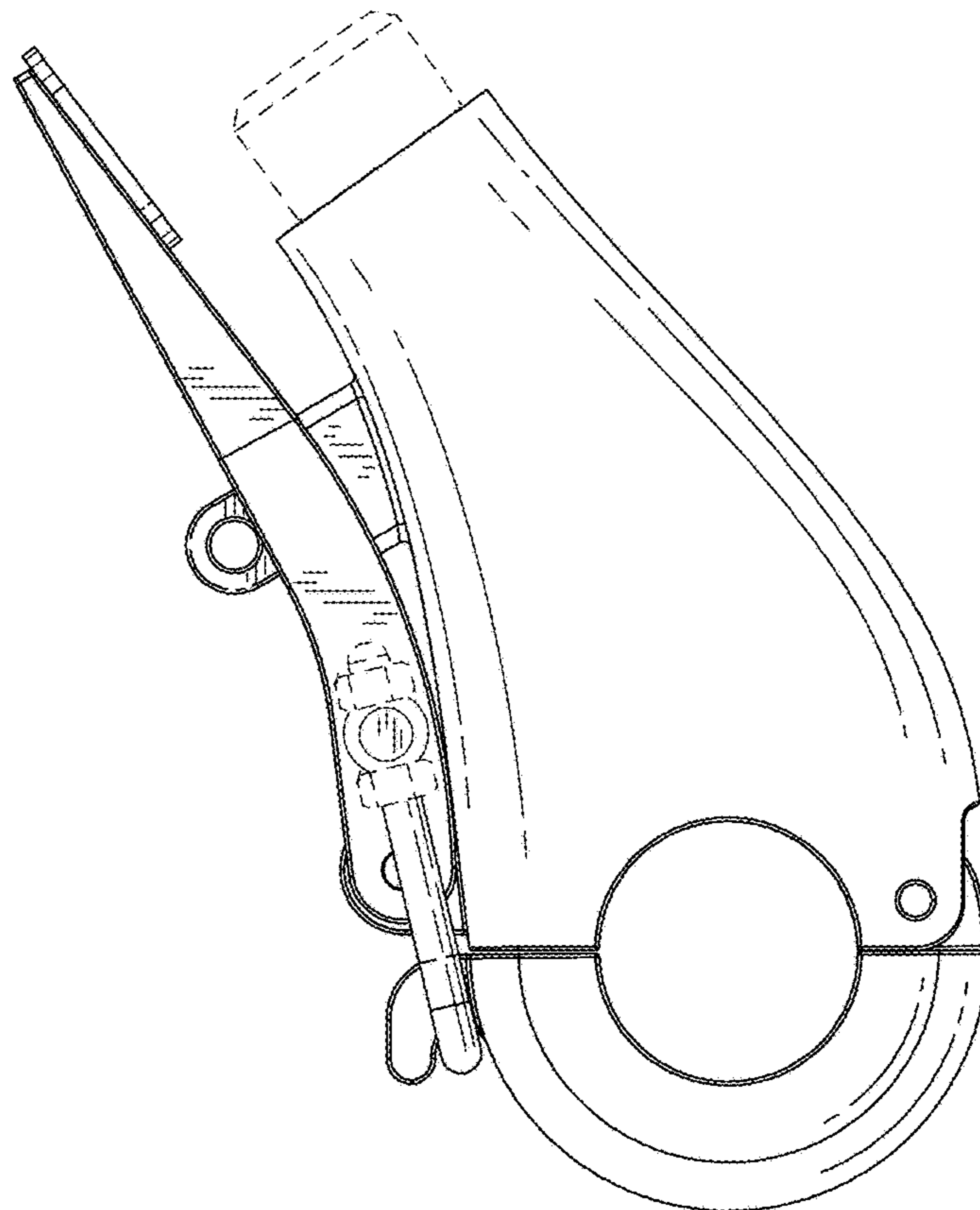
**1 Claim, 5 Drawing Sheets**



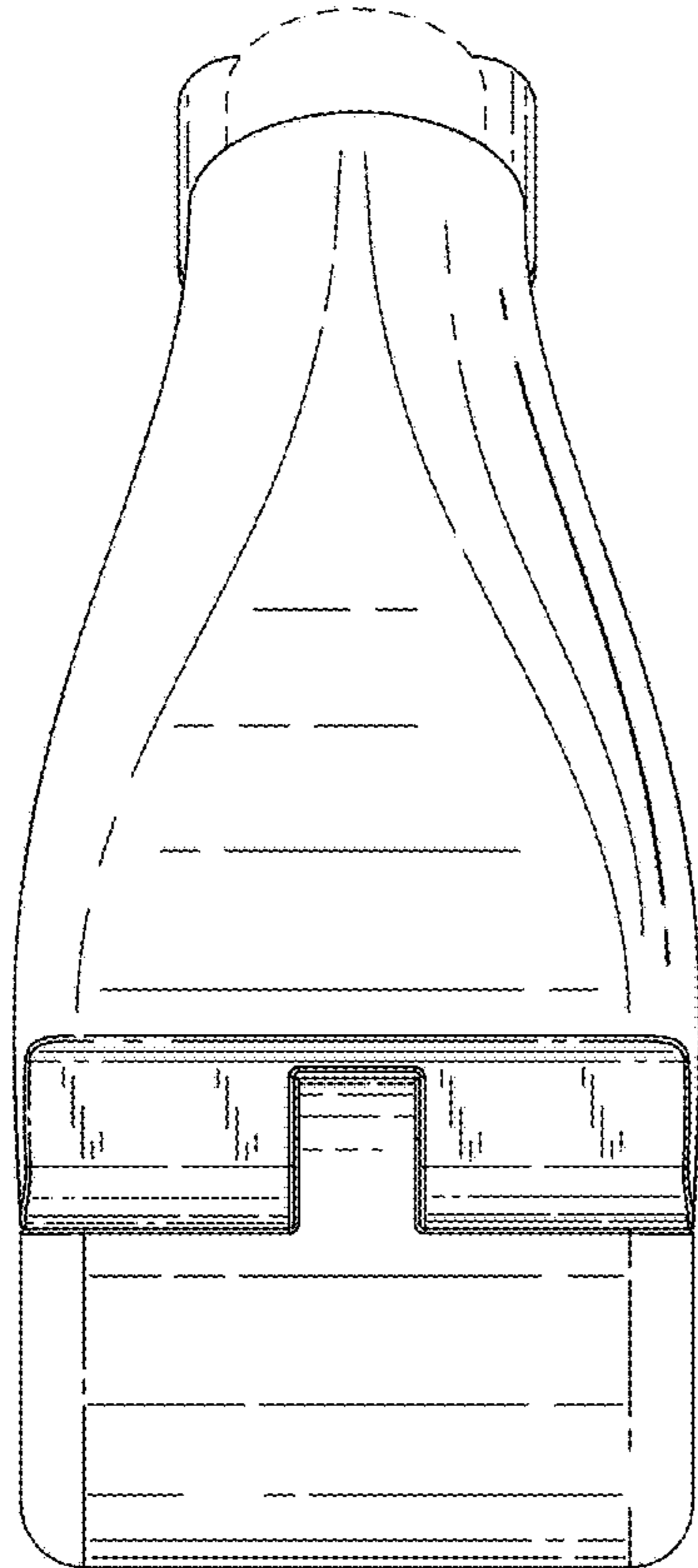
**FIG. 1**



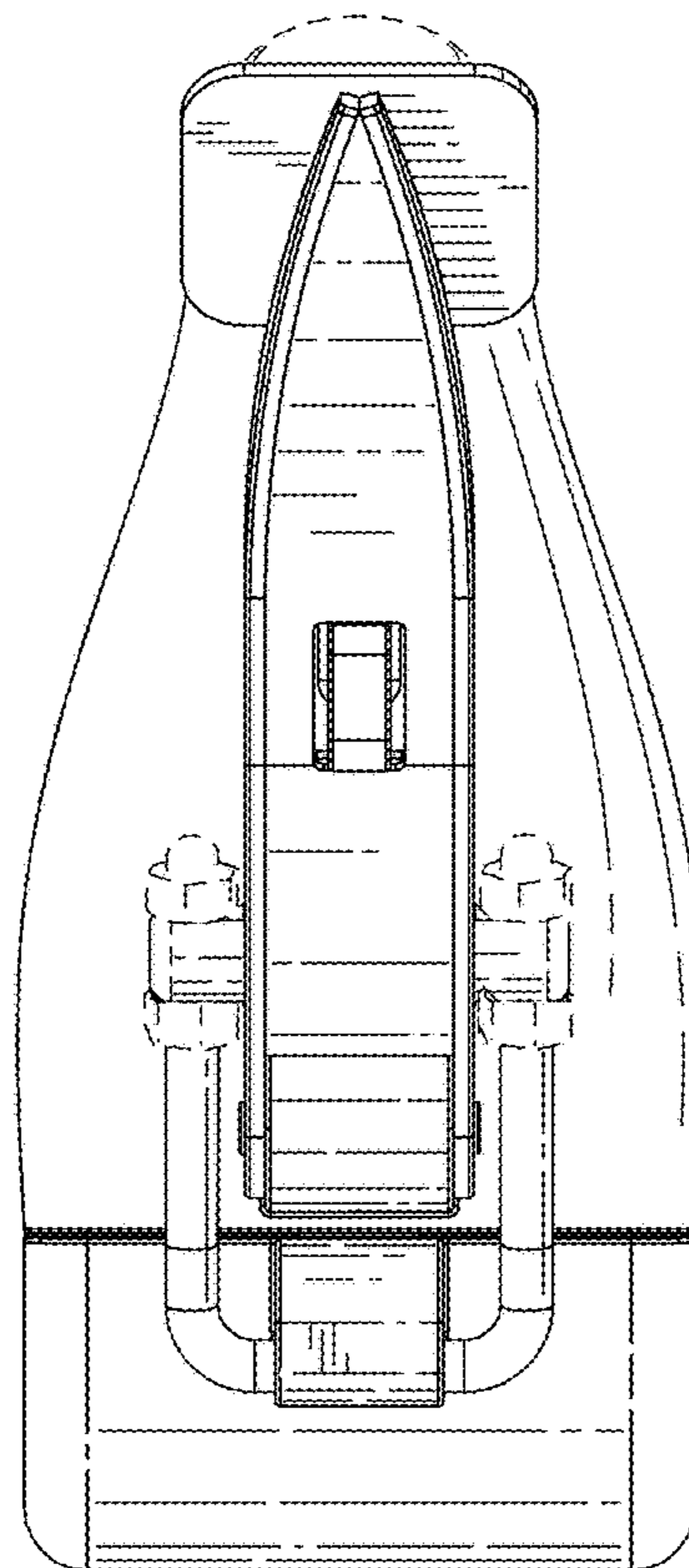
**FIG. 2**



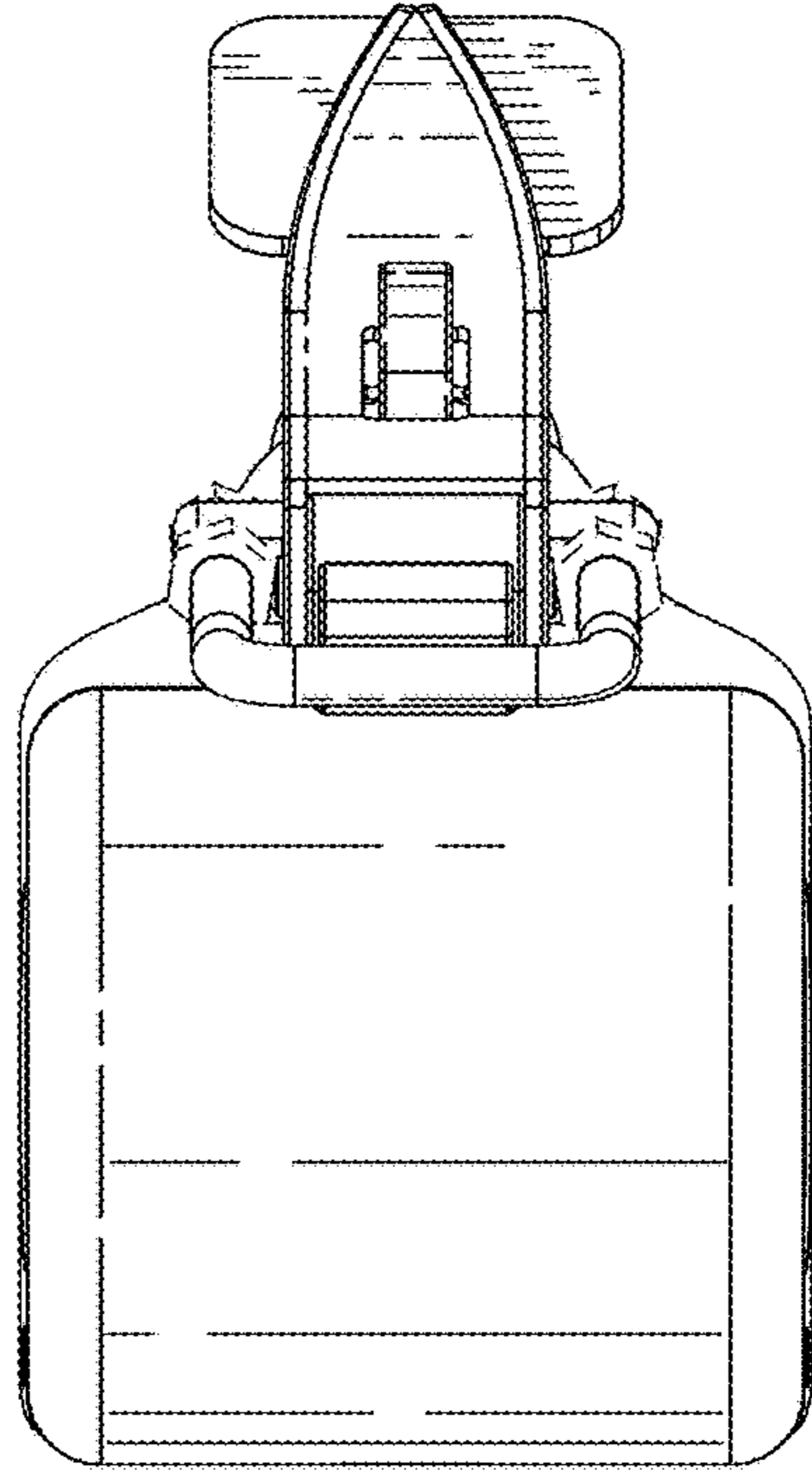
**FIG. 3**



**FIG. 4**



**FIG. 5**



**FIG. 6**

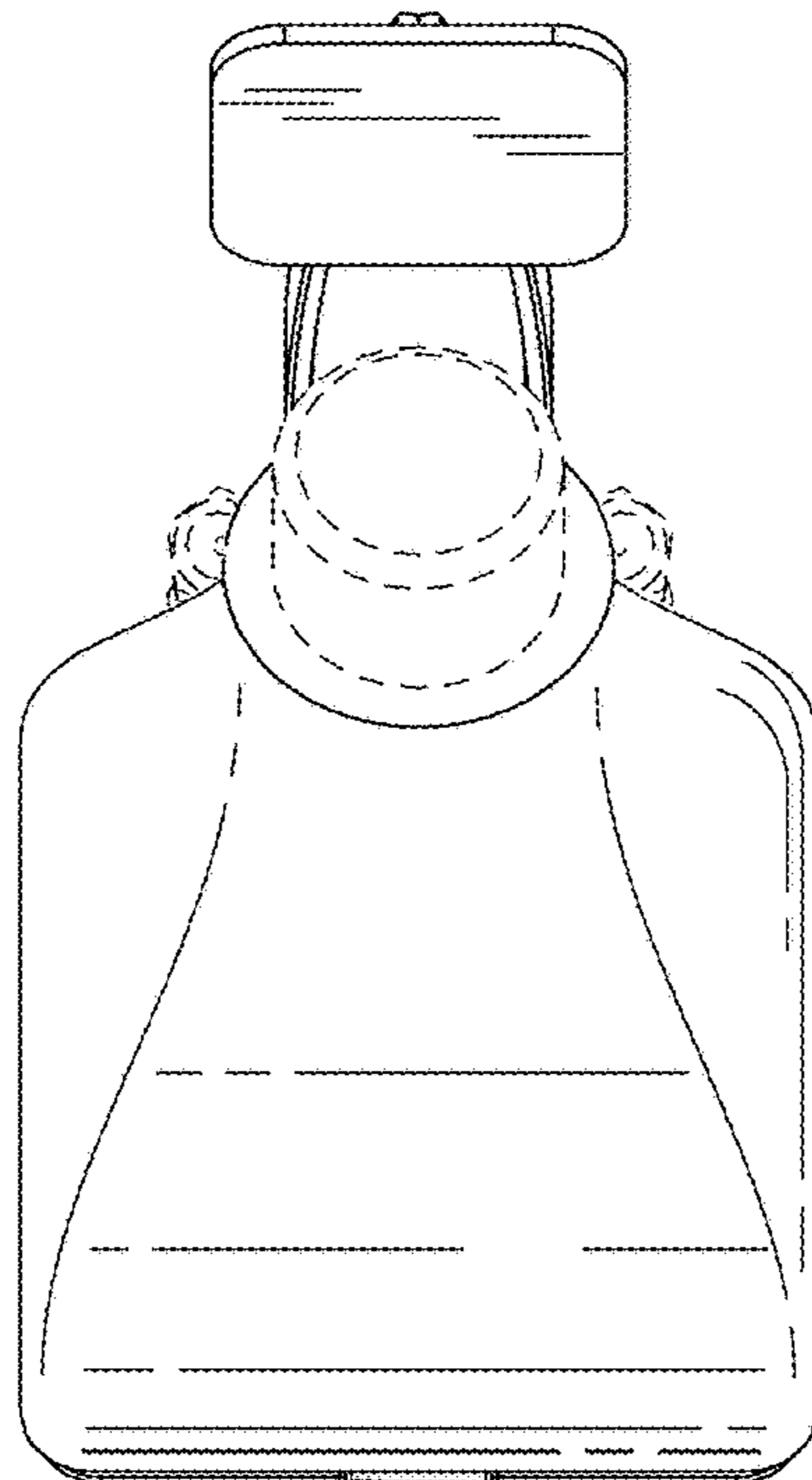


FIG. 7

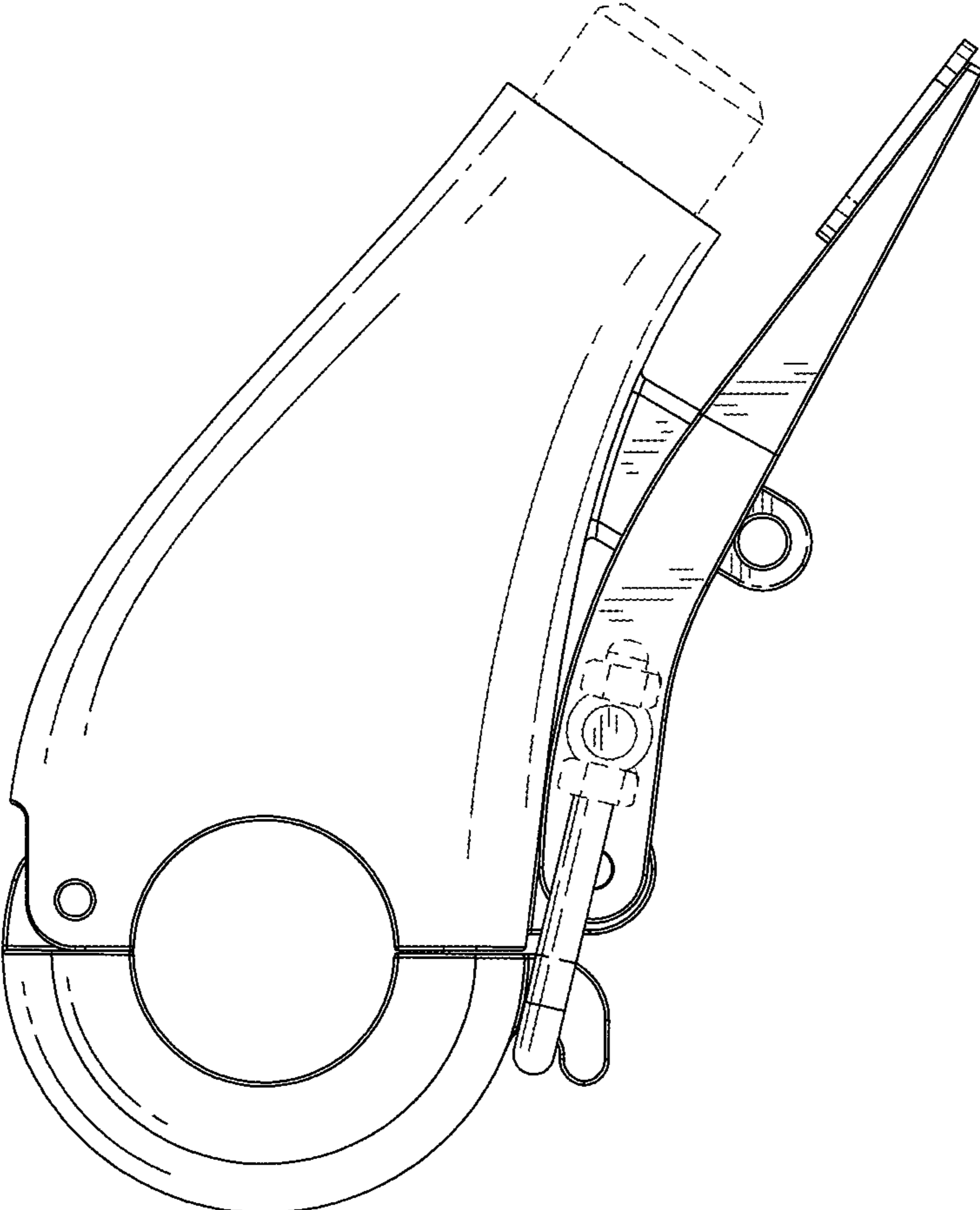




FIG. 8

