



US00D80888S

(12) **United States Design Patent**
Puchkoff

(10) **Patent No.:** **US D808,888 S**

(45) **Date of Patent:** **** Jan. 30, 2018**

(54) **ELBOW FOR A RAIL SYSTEM**

(71) Applicant: **Jerome Puchkoff**, Boynton Beach, FL
(US)

(72) Inventor: **Jerome Puchkoff**, Boynton Beach, FL
(US)

(**) Term: **15 Years**

(21) Appl. No.: **29/569,988**

(22) Filed: **Jul. 1, 2016**

(51) **LOC (11) Cl.** **12-16**

(52) **U.S. Cl.**
USPC **D12/406**

(58) **Field of Classification Search**
USPC D12/406-414, 414.1; D32/35, 58;
D6/317-319, 513-514
CPC B60R 9/00; B60R 2011/0042
See application file for complete search history.

(56) **References Cited**

U.S. PATENT DOCUMENTS

D422,554 S * 4/2000 Stapleton D12/414
D495,654 S * 9/2004 Elwell D12/414

D499,372 S * 12/2004 Andersson D12/414
D537,405 S * 2/2007 Seward D12/414
D570,765 S * 6/2008 Trusty D12/414
D694,170 S * 11/2013 Eriksson D12/414
D717,722 S * 11/2014 Cagampang D12/414
D727,245 S * 4/2015 Patel D12/414
9,266,478 B2 * 2/2016 Patel B60R 9/045
D763,170 S * 8/2016 Marankie D12/414

* cited by examiner

Primary Examiner — Katrina A Betton

(74) *Attorney, Agent, or Firm* — A. Robert Weaver

(57) **CLAIM**

The ornamental design for an elbow for a rail system, as shown and described.

DESCRIPTION

FIG. 1 is a front perspective view of an elbow for a rail system;
FIG. 2 is a side view of the elbow of FIG. 1;
FIG. 3 is a front view of the elbow of FIG. 1;
FIG. 4 is a rear view of the elbow of FIG. 1;
FIG. 5 is a bottom view of the elbow of FIG. 1;
FIG. 6 is a top view of the elbow of FIG. 1; and,
FIG. 7 is an opposing side view of the elbow of FIG. 1.
In the drawings, the broken lines depict portions of the article that form no part of the claimed design.

1 Claim, 4 Drawing Sheets

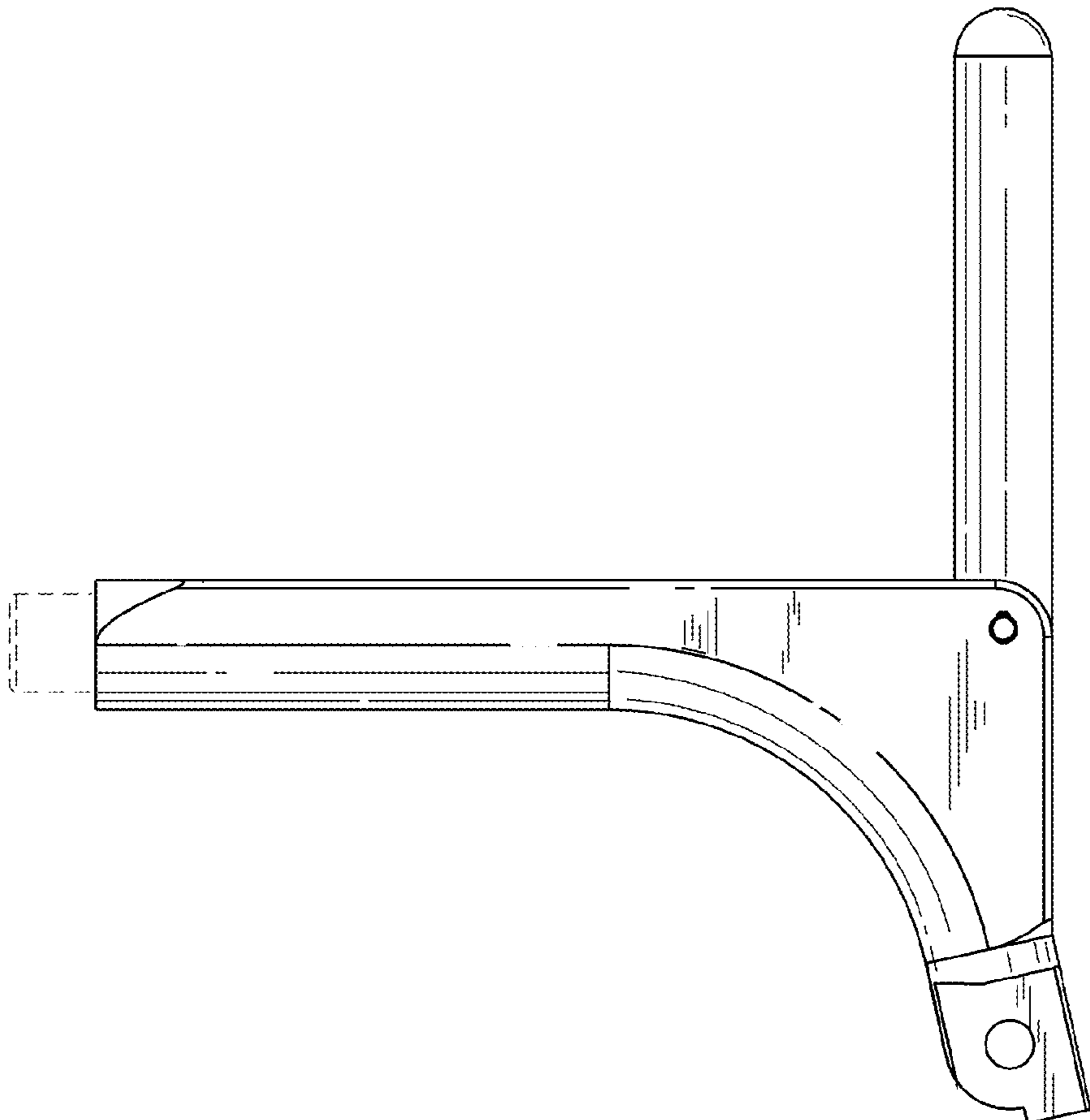


FIG. 1

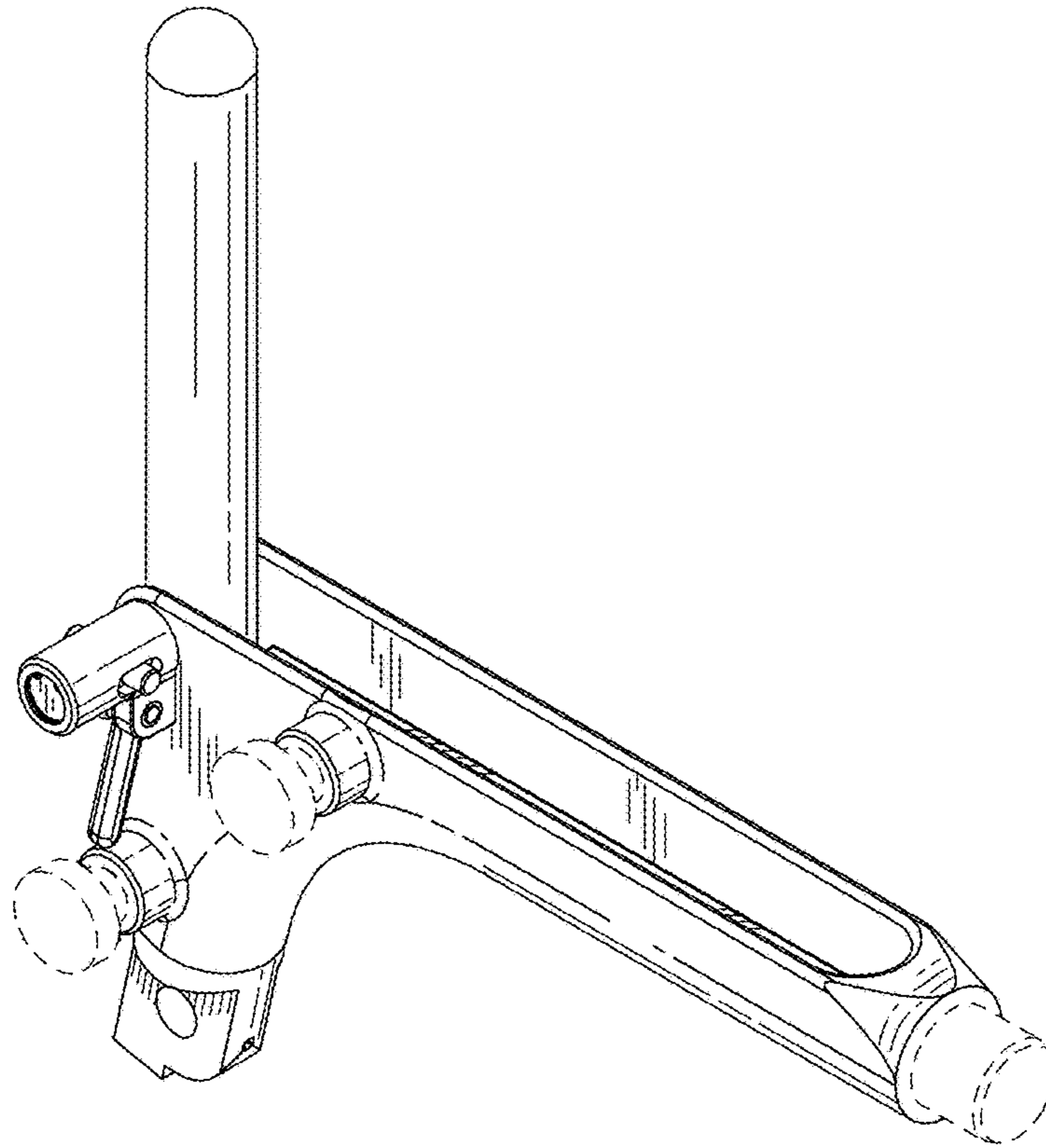


FIG. 2

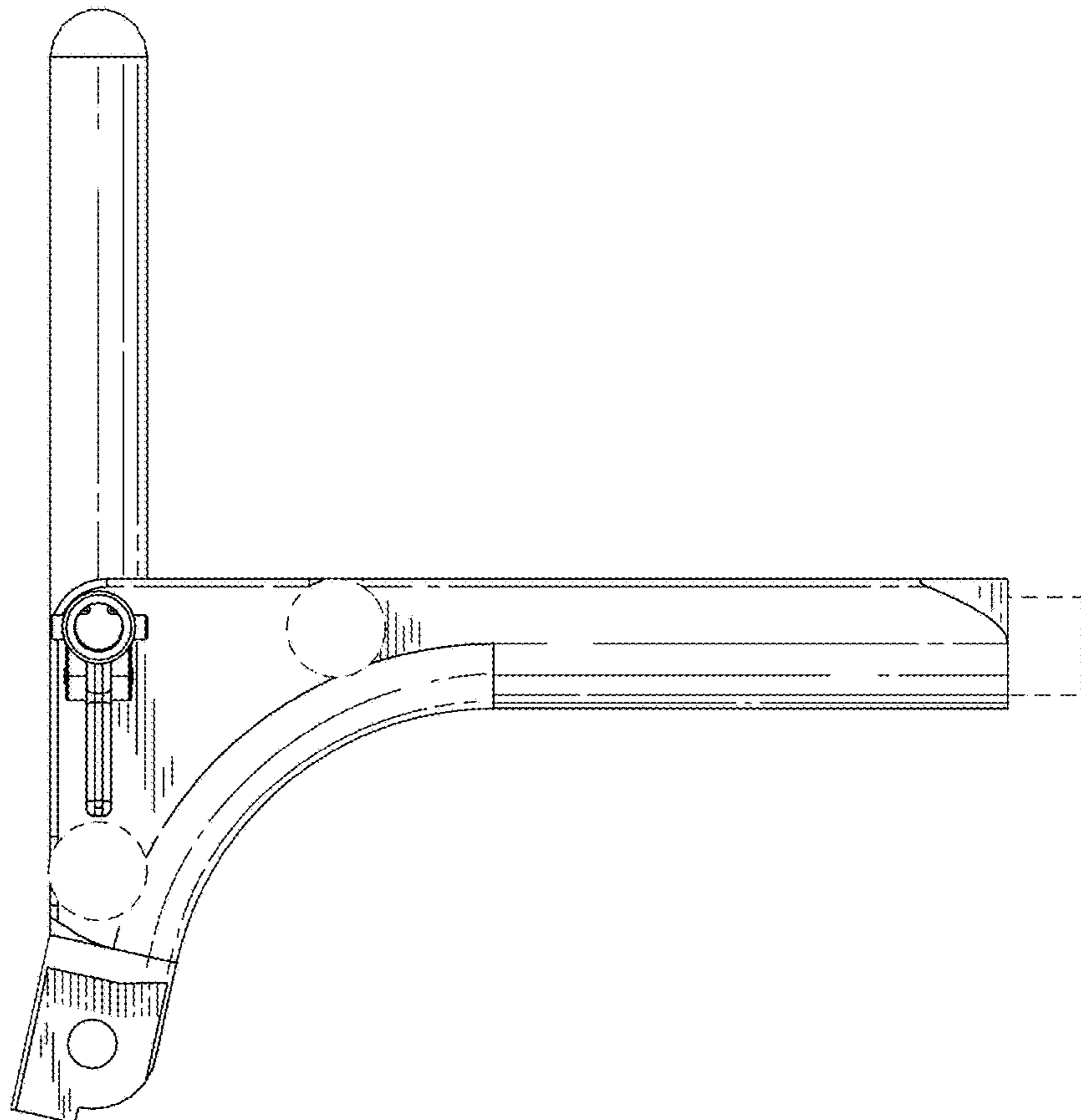


FIG. 3

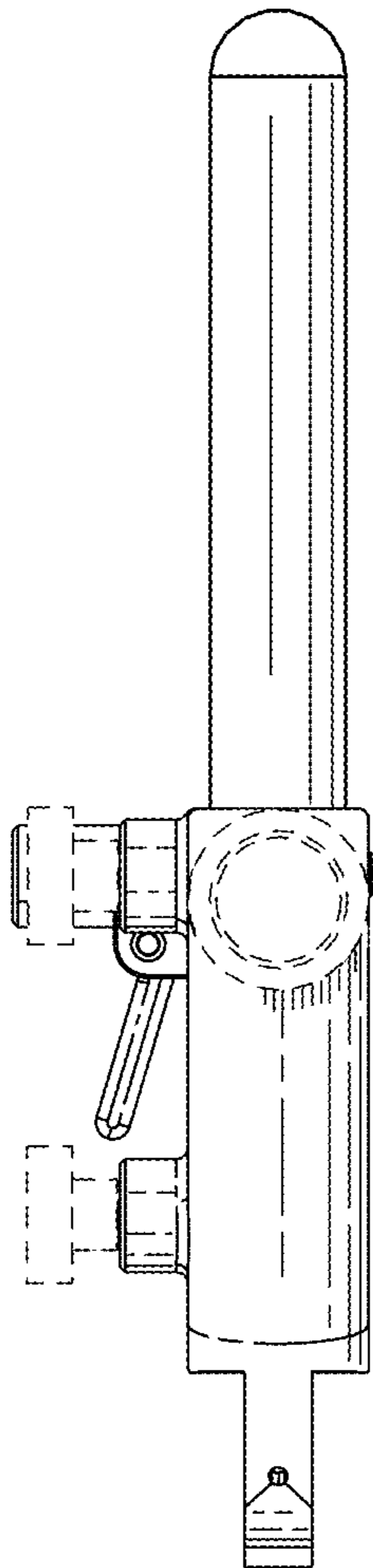


FIG. 4

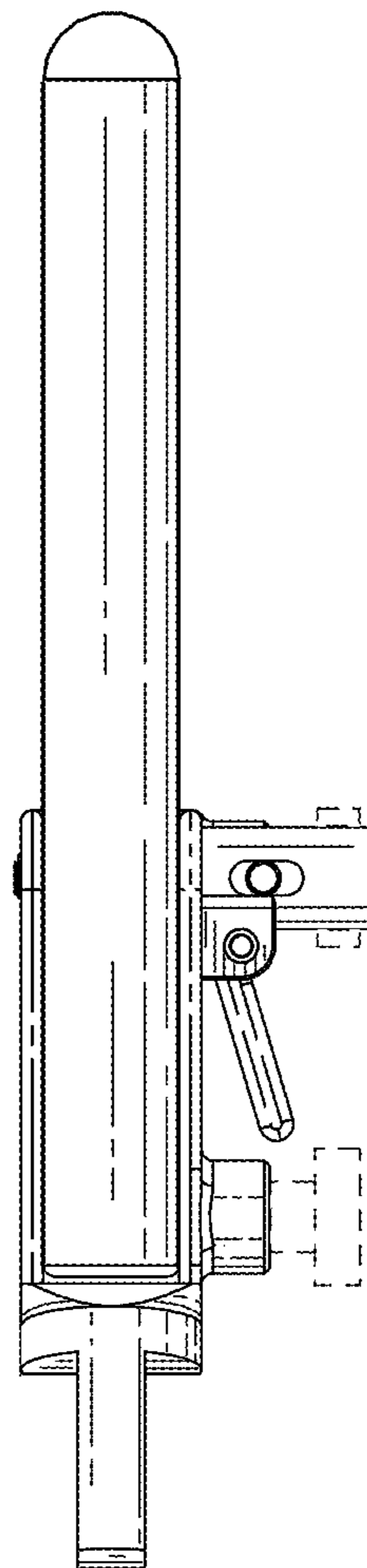


FIG. 5

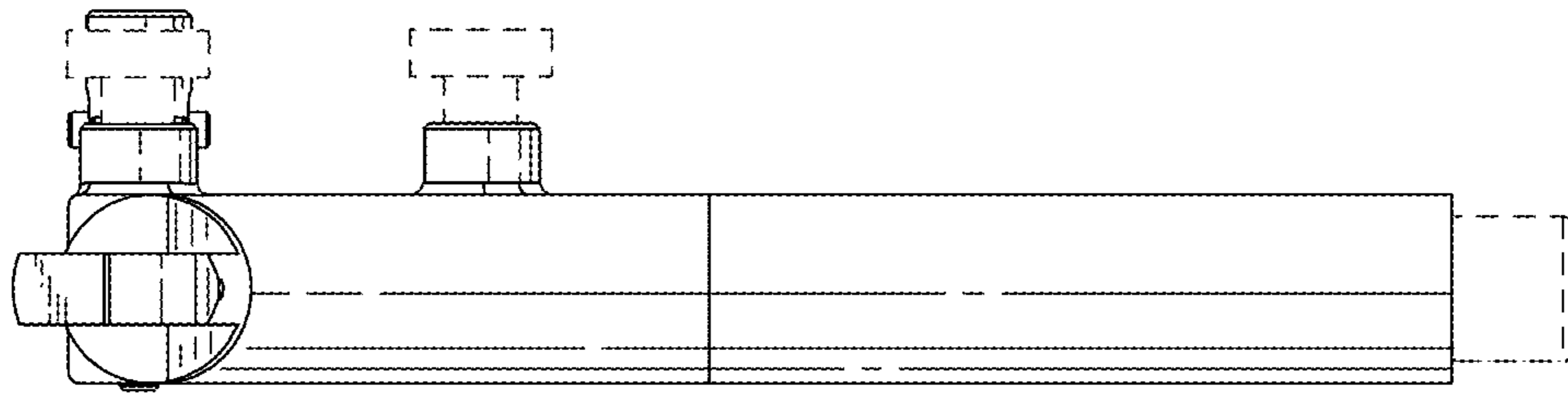


FIG. 6

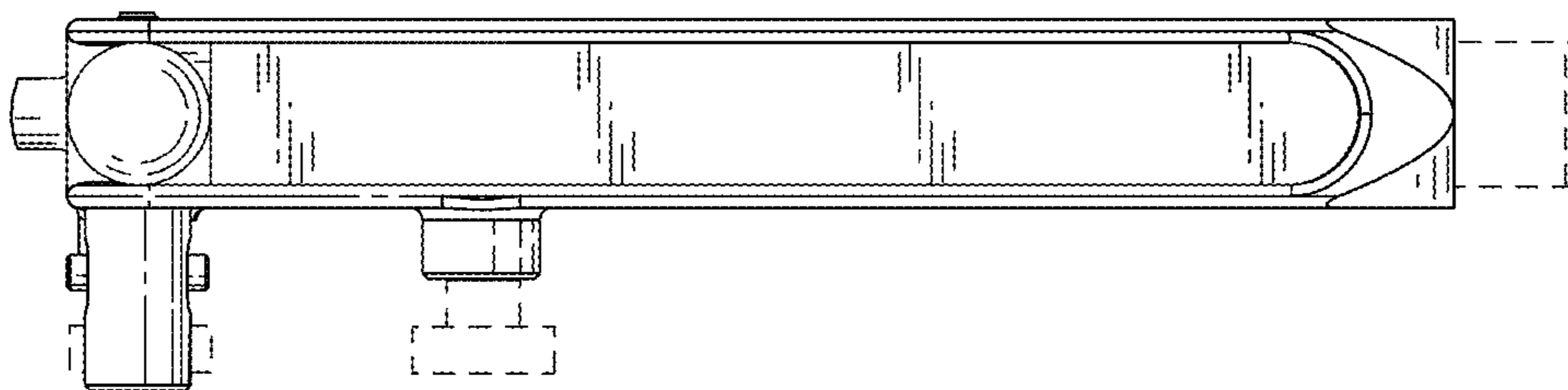


FIG. 7

