

US00D808887S

(12) **United States Design Patent**
Puchkoff

(10) **Patent No.:** **US D808,887 S**

(45) **Date of Patent:** **** Jan. 30, 2018**

(54) **STANCHION**

(71) Applicant: **Jerome Puchkoff**, Boynton Beach, FL
(US)

(72) Inventor: **Jerome Puchkoff**, Boynton Beach, FL
(US)

(**) Term: **15 Years**

(21) Appl. No.: **29/569,981**

(22) Filed: **Jul. 1, 2016**

(51) **LOC (11) Cl.** **12-16**

(52) **U.S. Cl.**
USPC **D12/406**

(58) **Field of Classification Search**
USPC D12/406-414, 414.1; D32/35, 58;
D6/317-319, 513-514
CPC B60R 9/00; B60R 2011/0042
See application file for complete search history.

(56) **References Cited**

U.S. PATENT DOCUMENTS

D422,554 S *	4/2000	Stapleton	D12/414
D495,654 S *	9/2004	Elwell	D12/414
D499,372 S *	12/2004	Andersson	D12/414
D537,405 S *	2/2007	Saward	D12/414
D570,765 S *	6/2008	Trusty	D12/414
D694,170 S *	11/2013	Eriksson	D12/414
D717,722 S *	11/2014	Cagampang	D12/414
D727,245 S *	4/2015	Patel	D12/414
9,266,478 B2 *	2/2016	Patel	B60R 9/045

D763,170 S * 8/2016 Marankie D12/414

* cited by examiner

Primary Examiner — Katrina A Betton

(74) *Attorney, Agent, or Firm* — A. Robert Weaver

(57) **CLAIM**

The ornamental design for a stanchion, as shown and described.

DESCRIPTION

FIG. 1 is a front perspective view of an embodiment of a stanchion;
 FIG. 2 is a side view of the stanchion of FIG. 1;
 FIG. 3 is an opposing side view of the stanchion of FIG. 1;
 FIG. 4 is a rear view of the stanchion of FIG. 1;
 FIG. 5 is a front view of the stanchion of FIG. 1;
 FIG. 6 is a top view of the stanchion of FIG. 1;
 FIG. 7 is a bottom view of the stanchion of FIG. 1;
 FIG. 8 is a front perspective view of an additional embodiment of a stanchion;
 FIG. 9 is a side view of the stanchion of FIG. 8;
 FIG. 10 is an opposing side view of the stanchion of FIG. 8;
 FIG. 11 is a rear view of the stanchion of FIG. 8;
 FIG. 12 is a front view of the stanchion of FIG. 8;
 FIG. 13 is a top view of the stanchion of FIG. 8; and,
 FIG. 14 is a bottom view of the stanchion of FIG. 8.
 Features shown in broken lines are for illustrative purposes only and form no part of the claimed design.

1 Claim, 6 Drawing Sheets

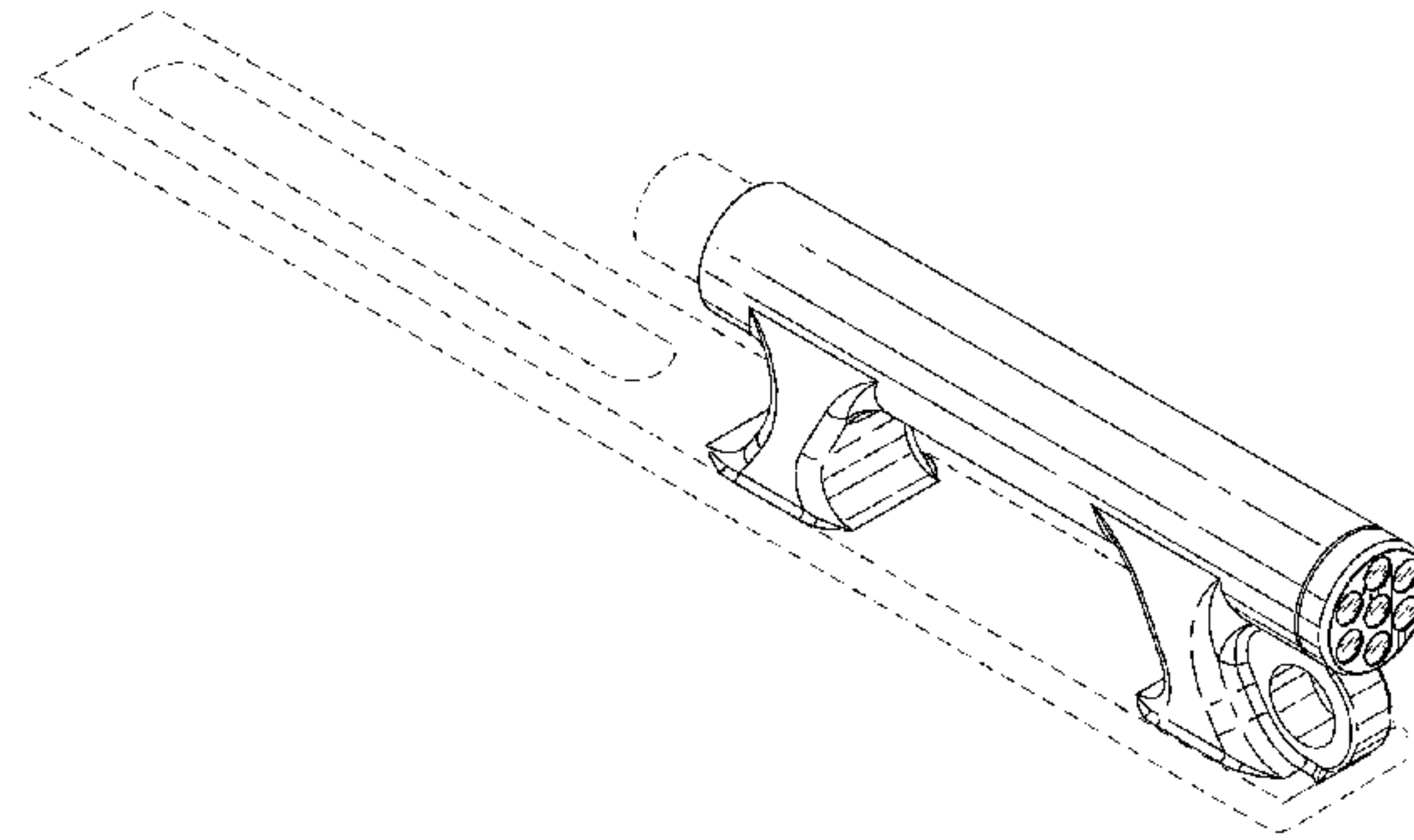
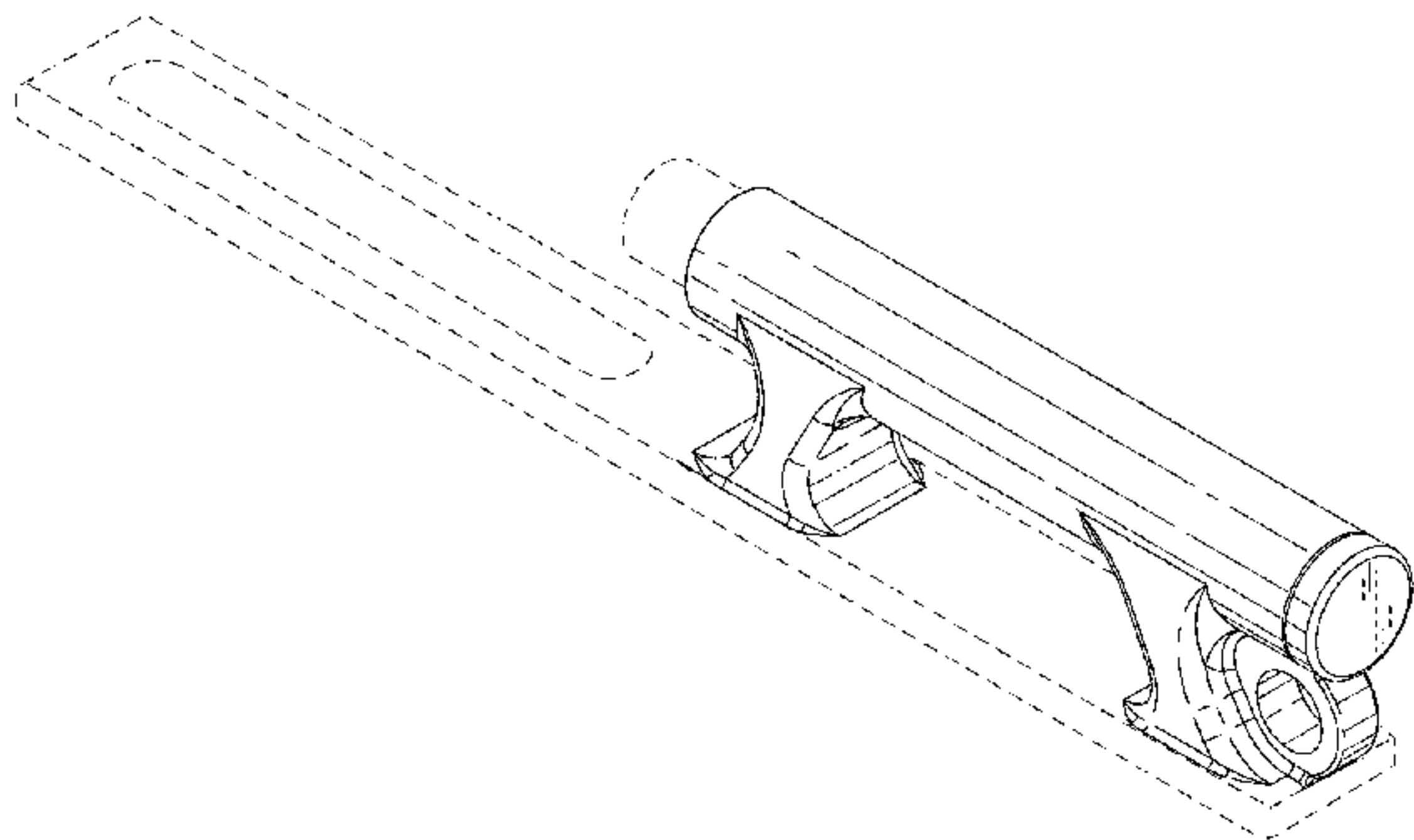


FIG. 1

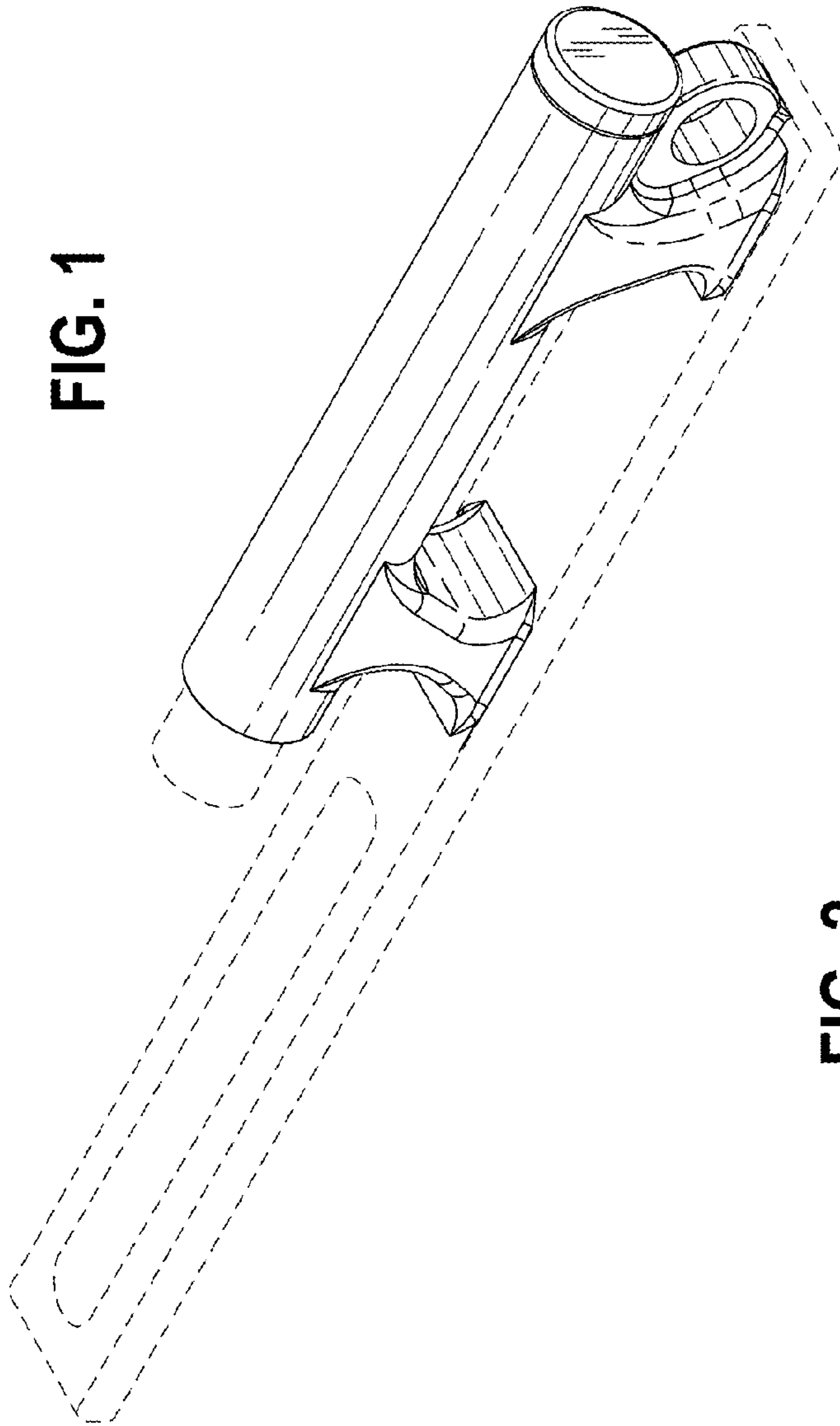


FIG. 2

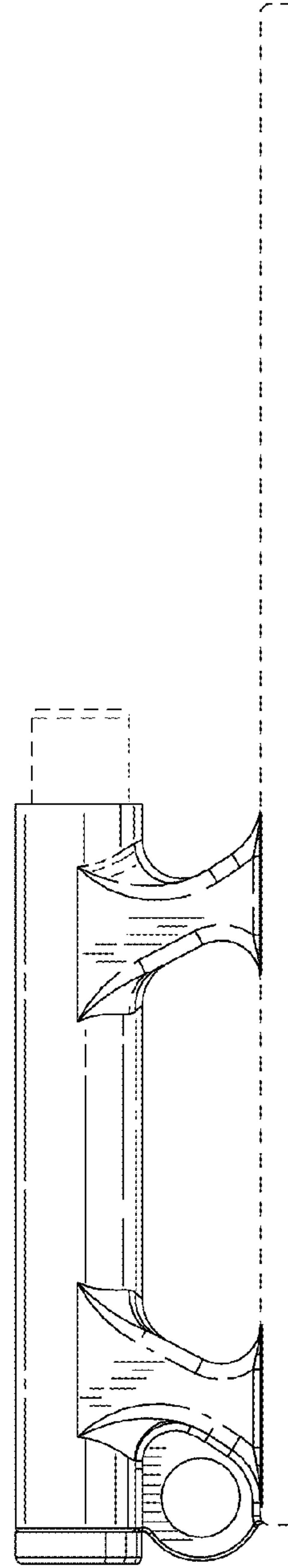


FIG. 3

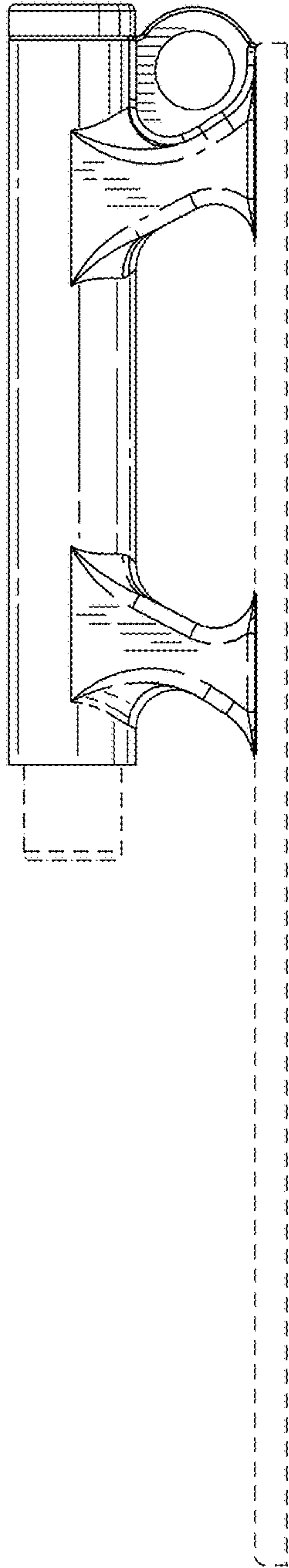


FIG. 4

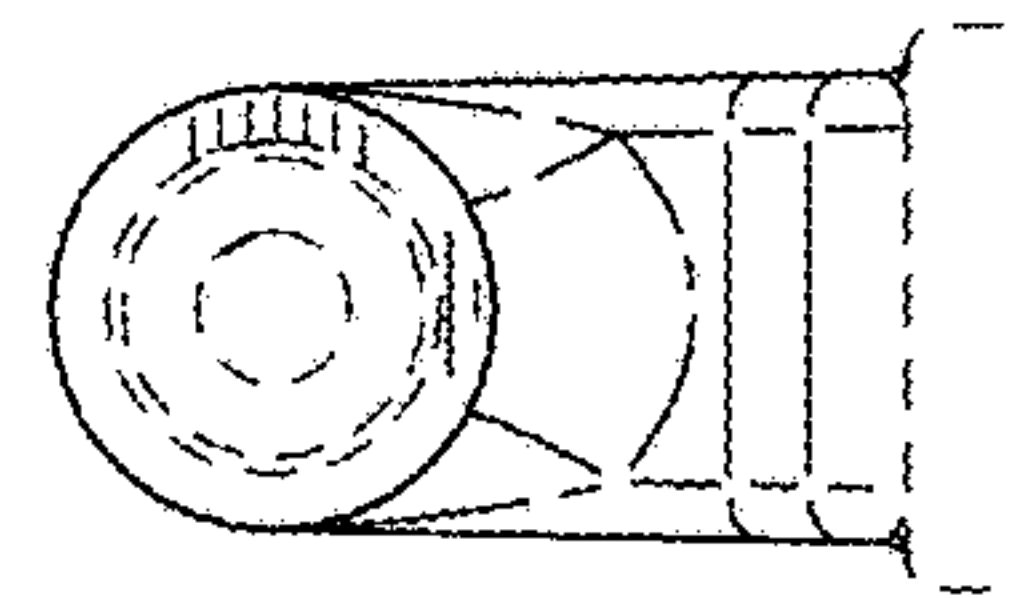


FIG. 5

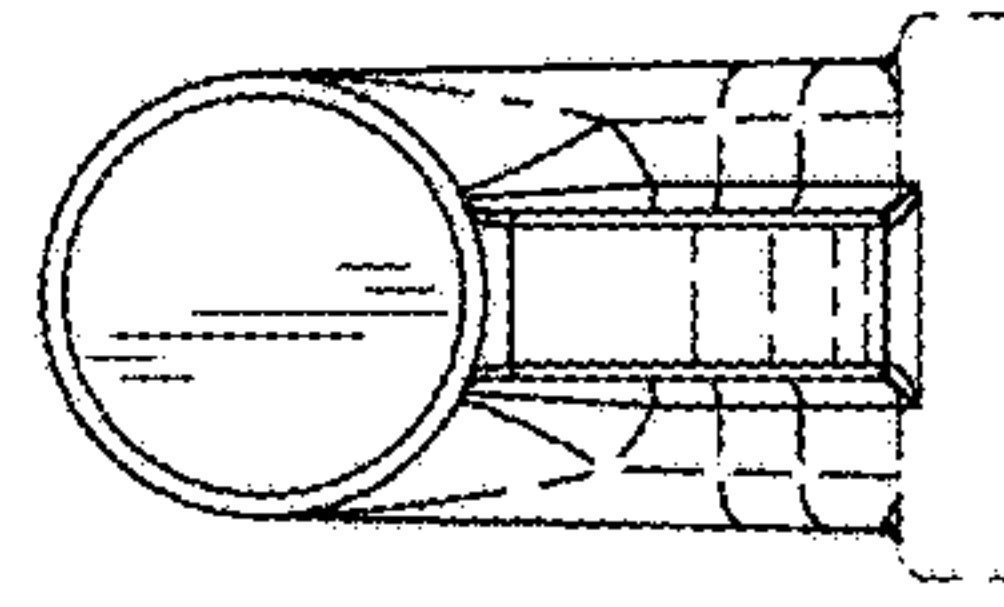


FIG. 6

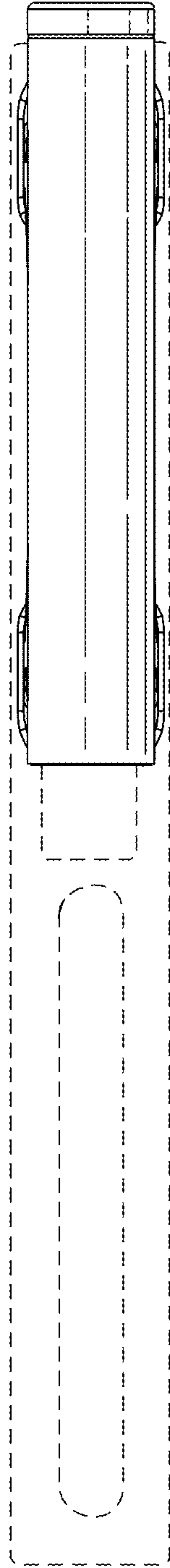
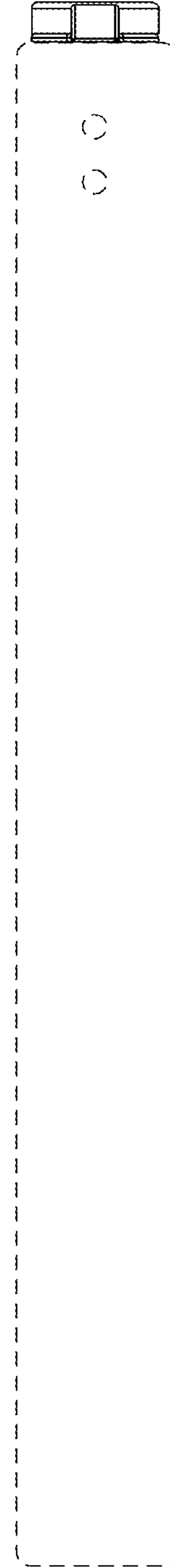


FIG. 7



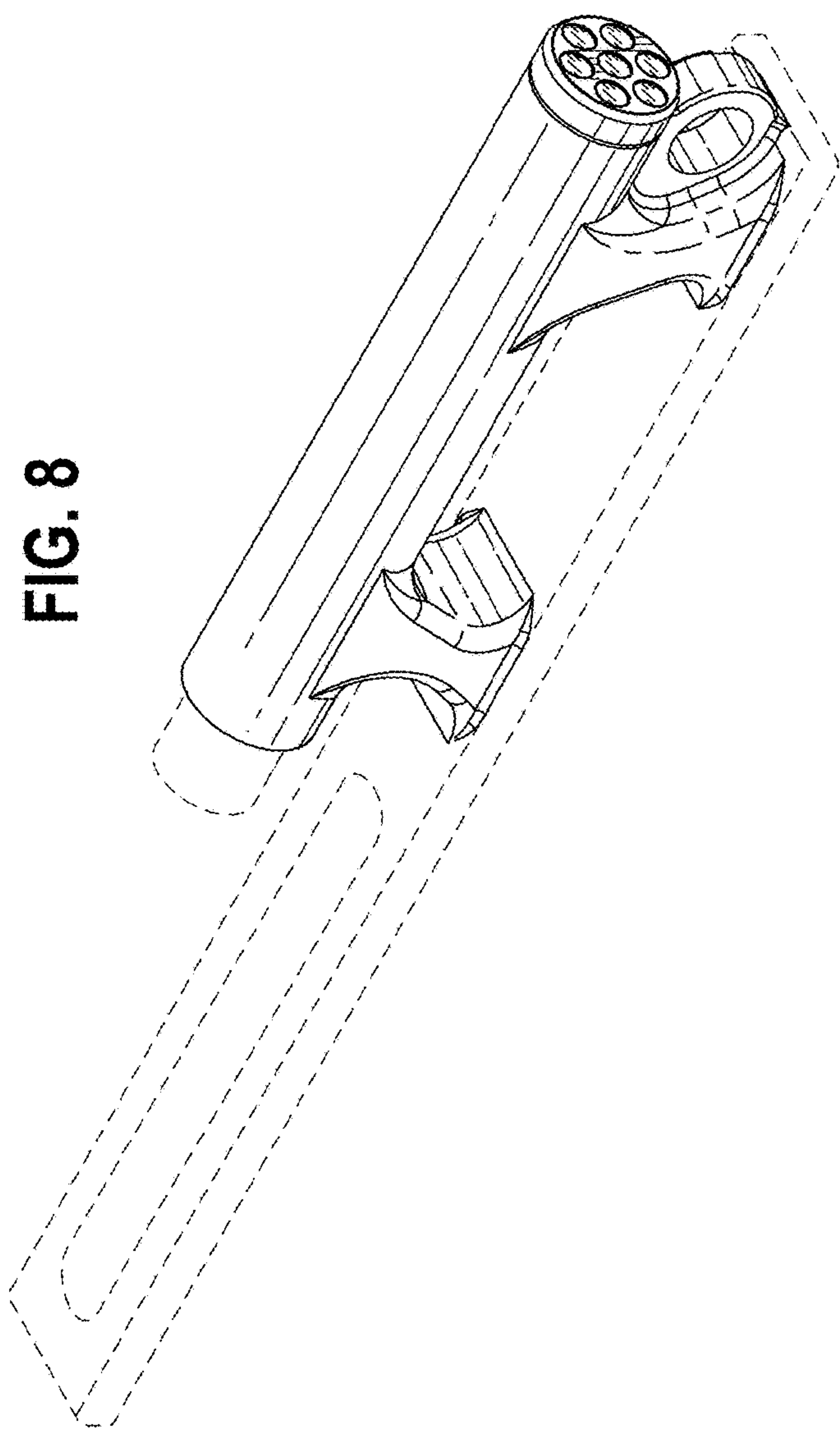


FIG. 8

FIG. 9

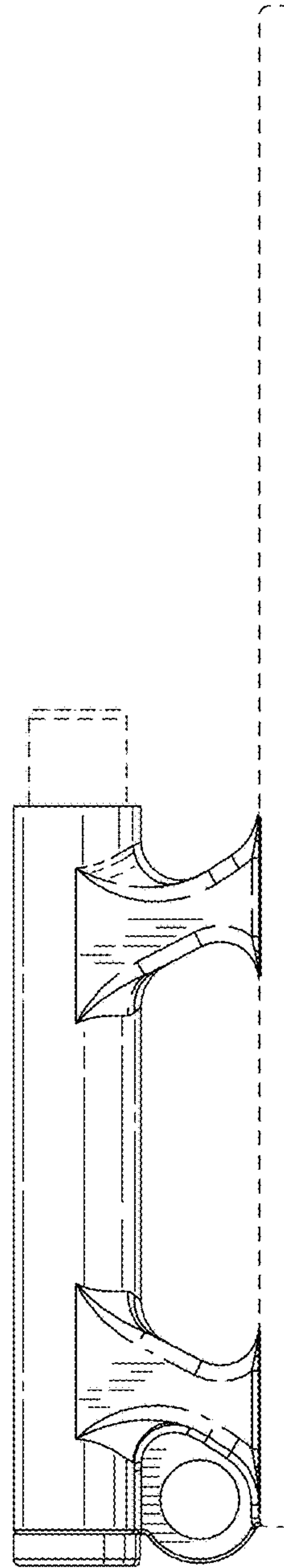


FIG. 10

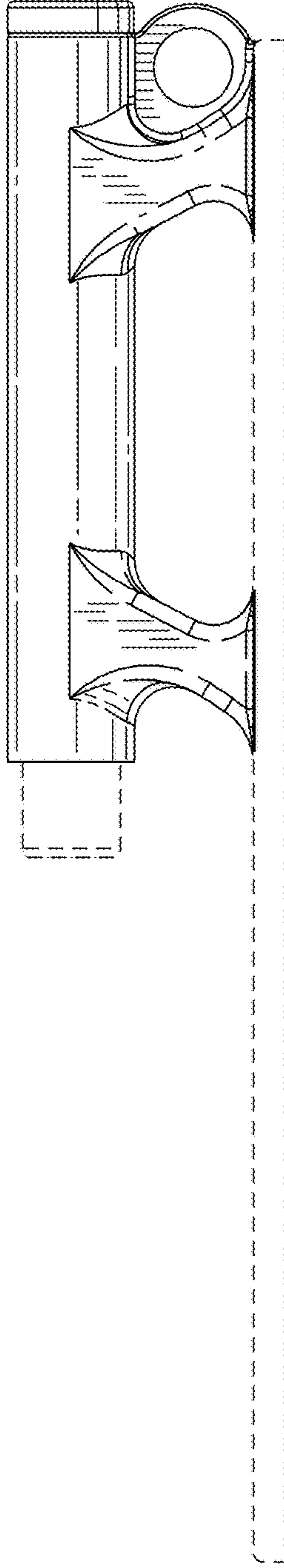


FIG. 12

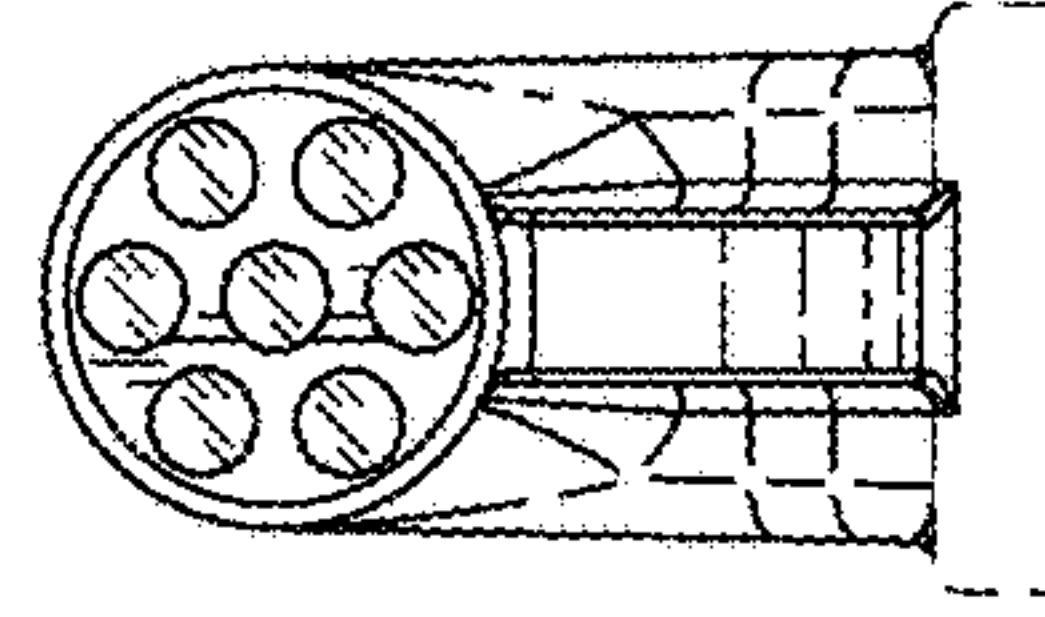


FIG. 11

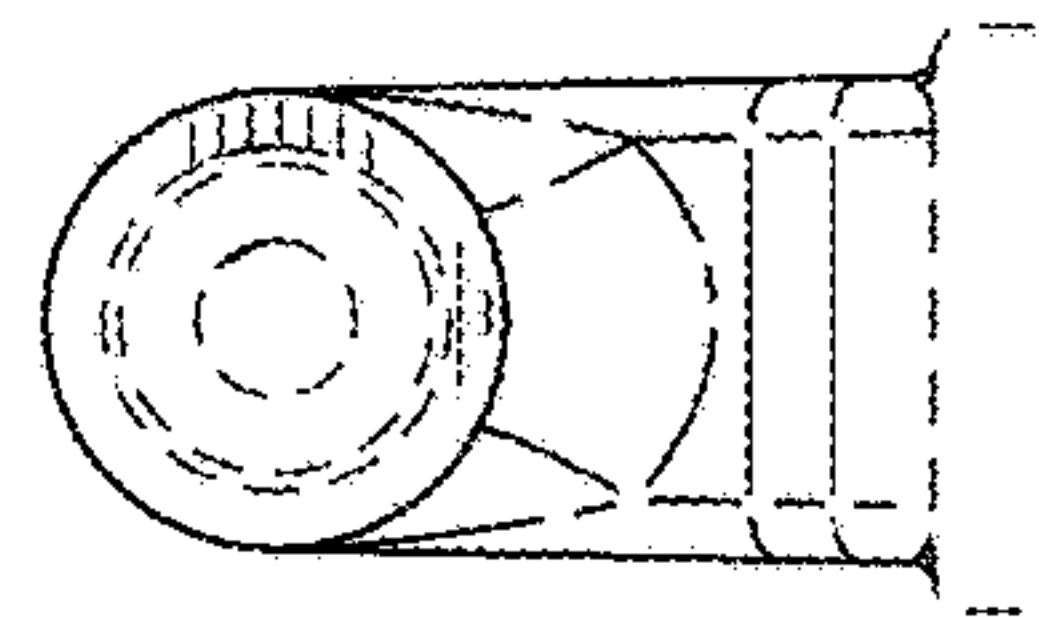


FIG. 13

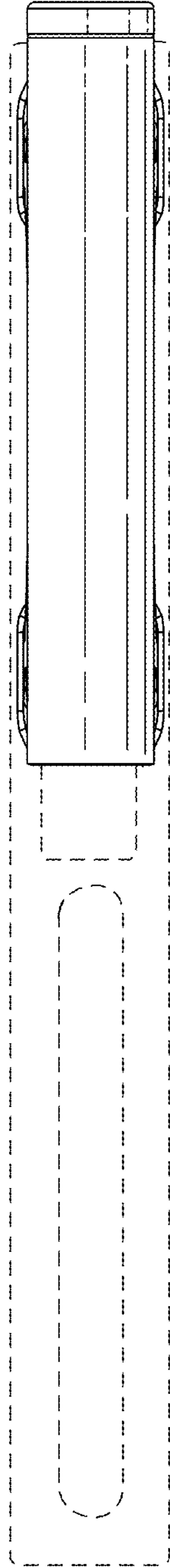


FIG. 14

