



US00D808886S

(12) **United States Design Patent** (10) **Patent No.:** **US D808,886 S**  
**Verachtert et al.** (45) **Date of Patent:** **\*\* Jan. 30, 2018**

(54) **VEHICLE ROOF**  
(71) Applicants: **Robin Tristan Serge Verachtert**,  
Chardonne (CH); **Dennis Lloyd Shaffer, Jr.**, Henderson, NV (US)  
(72) Inventors: **Robin Tristan Serge Verachtert**,  
Chardonne (CH); **Dennis Lloyd Shaffer, Jr.**, Henderson, NV (US)  
(\*\*) Term: **15 Years**  
(21) Appl. No.: **29/600,191**  
(22) Filed: **Apr. 10, 2017**  
(51) **LOC (11) Cl.** ..... **12-16**  
(52) **U.S. Cl.**  
USPC ..... **D12/404**  
(58) **Field of Classification Search**  
USPC ..... D12/401-405  
CPC ..... A47D 15/00; A47C 7/66; A47C 31/00;  
A47G 9/068  
See application file for complete search history.

D438,636 S 3/2001 Stuart  
D438,840 S \* 3/2001 Dowdey ..... D12/404  
D444,445 S 7/2001 Schroeder  
D452,675 S 1/2002 Alexander  
D454,210 S 3/2002 Lindgren  
D476,944 S 7/2003 Dowdey

(Continued)

*Primary Examiner* — Katrina A Betton  
(74) *Attorney, Agent, or Firm* — QuickPatents, LLC;  
Kevin Prince

(57) **CLAIM**

We claim the ornamental design for a vehicle roof, as shown and described.

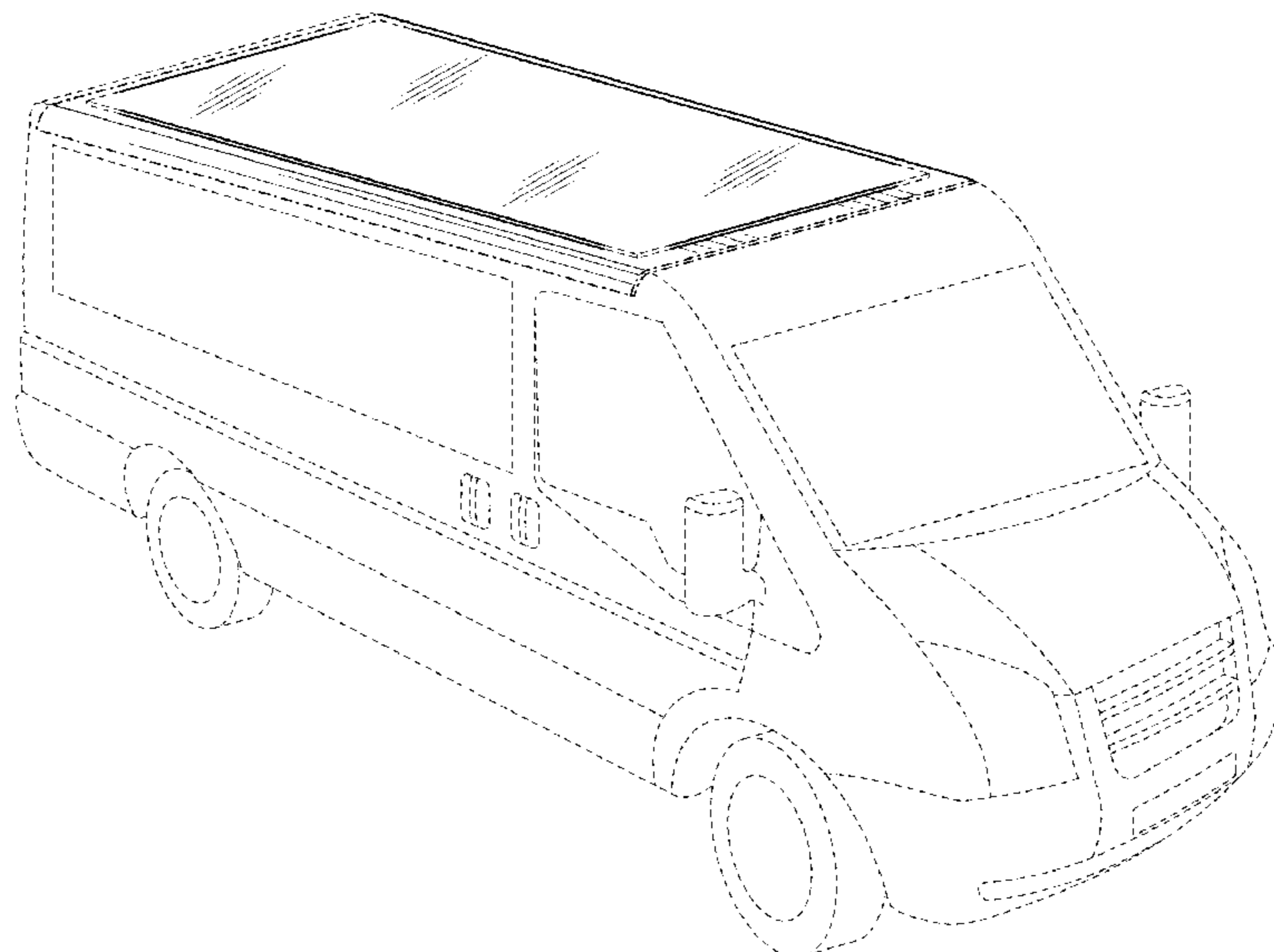
**DESCRIPTION**

FIG. 1 is a top perspective view of a vehicle roof, showing a first embodiment of our new design;  
FIG. 2 is a bottom perspective view of FIG. 1;  
FIG. 3 is a top plan view of FIG. 1;  
FIG. 4 is a bottom plan view of FIG. 1;  
FIG. 5 is a front elevational view of FIG. 1, the rear elevational view being a mirror image thereof;  
FIG. 6 is a left-side elevational view of FIG. 1, the right-side elevational view being a mirror image thereof;  
FIG. 7 is a top perspective view of a second embodiment thereof;  
FIG. 8 is a bottom perspective view of FIG. 7;  
FIG. 9 is a top plan view of FIG. 7;  
FIG. 10 is a bottom plan view of FIG. 7;  
FIG. 11 is a front elevational view of FIG. 7, the rear elevational view being a mirror image thereof; and,  
FIG. 12 is a left-side elevational view of FIG. 7, the right-side elevational view being a mirror image thereof.  
The broken lines showing a vehicle and corner portions of the windows in the figures depict environmental matter and form no part of the claimed design. The remaining dot-dash broken lines represent a boundary of the claimed design.

(56) **References Cited**  
U.S. PATENT DOCUMENTS

D7,166 S	2/1871	Murch
D114,448 S	4/1939	Hawkins
D220,905 S	6/1971	Said
D236,967 S	9/1975	Armstrong
D236,968 S	9/1975	Armstrong
D254,247 S	2/1980	Le Van
D262,365 S	12/1981	Butler
D286,763 S	11/1986	Karapetian
D298,928 S	12/1988	Johnson
D318,833 S	8/1991	Gonzalez
D324,015 S	2/1992	Quiniones
D325,366 S	4/1992	Mansberger
D363,557 S	10/1995	Lindgren
D374,651 S	10/1996	Townsend
D382,246 S	8/1997	DeGaillard
D413,096 S	8/1999	Russke

**1 Claim, 8 Drawing Sheets**



(56)

References Cited

U.S. PATENT DOCUMENTS

D481,987	S	11/2003	MacWilliam	
D483,317	S *	12/2003	Dowdey .....	D12/404
D488,121	S	4/2004	Dowdey	
D496,618	S	9/2004	Nakajima	
D497,872	S	11/2004	Bonner	
D547,257	S	7/2007	Bae	
D550,145	S	9/2007	Fisker	
D559,406	S	1/2008	Boshell	
D617,236	S	6/2010	Counts	
D625,680	S *	10/2010	de Waal .....	D12/404
D636,718	S	4/2011	Naef	
D664,912	S	8/2012	Warren	
D692,360	S	10/2013	Chao	
D698,462	S	1/2014	Kalkhoven	
D711,551	S	8/2014	Kalkhoven	
D733,033	S	6/2015	Rohr	
9,150,159	B1 *	10/2015	Meszaros .....	B60R 9/045
D742,789	S	11/2015	Cortina Ullate	
D748,564	S *	2/2016	Frascella .....	D12/404
2003/0233796	A1	12/2003	Walz	
2009/0066110	A1 *	3/2009	Beierl .....	B60J 10/82 296/107.01
2010/0230998	A1	9/2010	Willard	
2012/0126583	A1 *	5/2012	Brown .....	B60R 13/0231 296/210
2013/0257108	A1 *	10/2013	Sugimoto .....	B60J 7/0007 296/214
2015/0336449	A1 *	11/2015	Kamioku .....	B60J 7/057 296/216.04
2016/0200183	A1 *	7/2016	Holzel .....	B60J 7/0435 296/216.05
2016/0214466	A1 *	7/2016	Kolger .....	B60J 7/0015
2017/0113523	A1 *	4/2017	Holzel .....	B60J 7/0435

\* cited by examiner

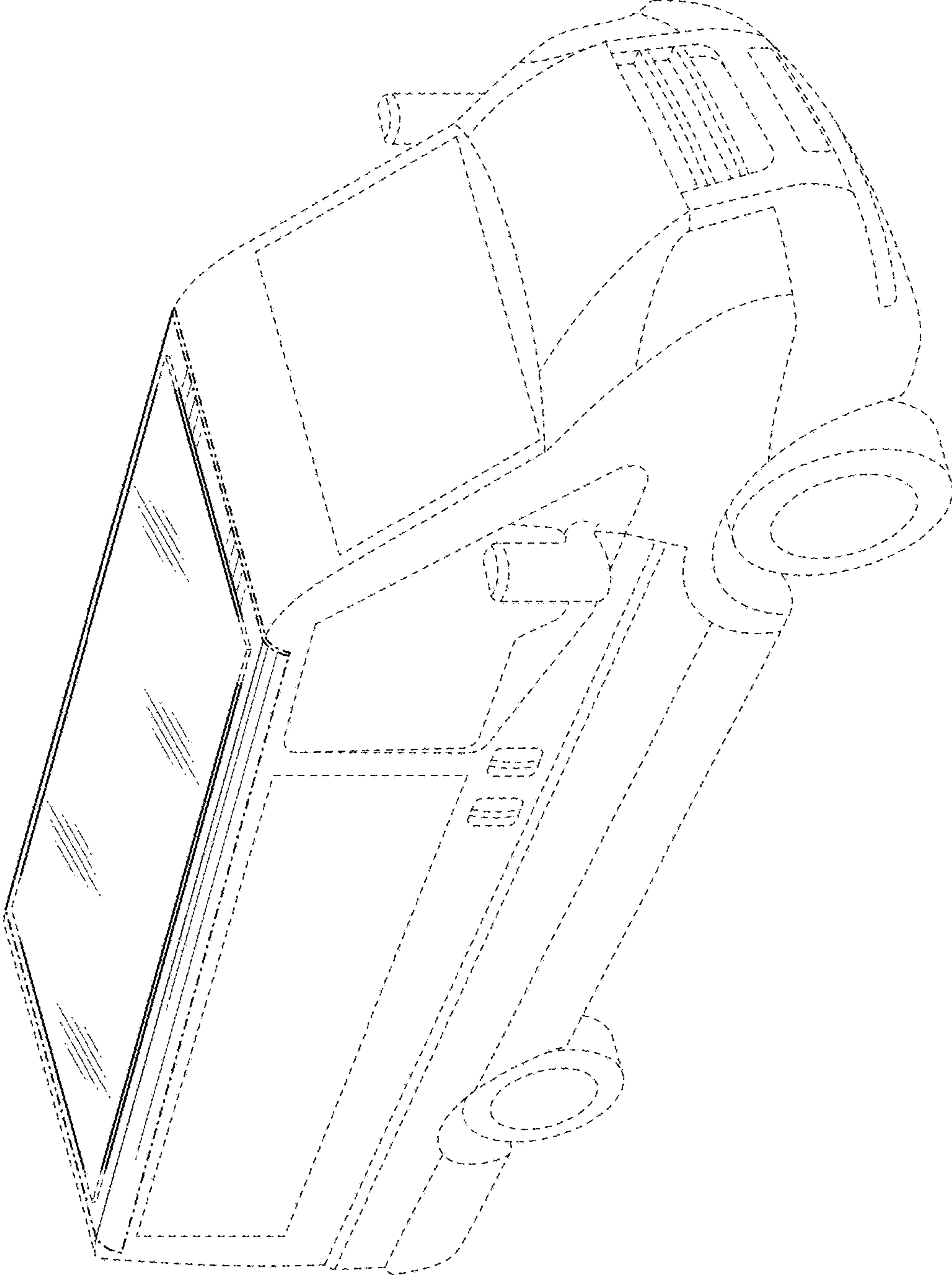


FIG. 1

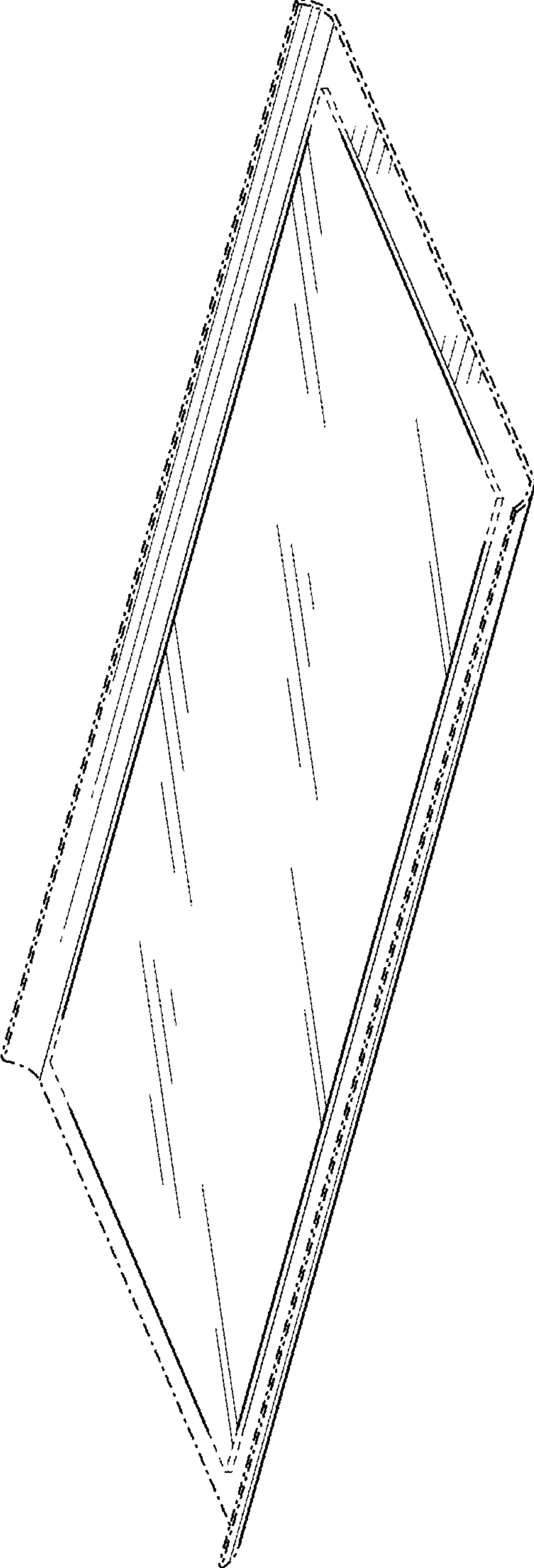


FIG. 2

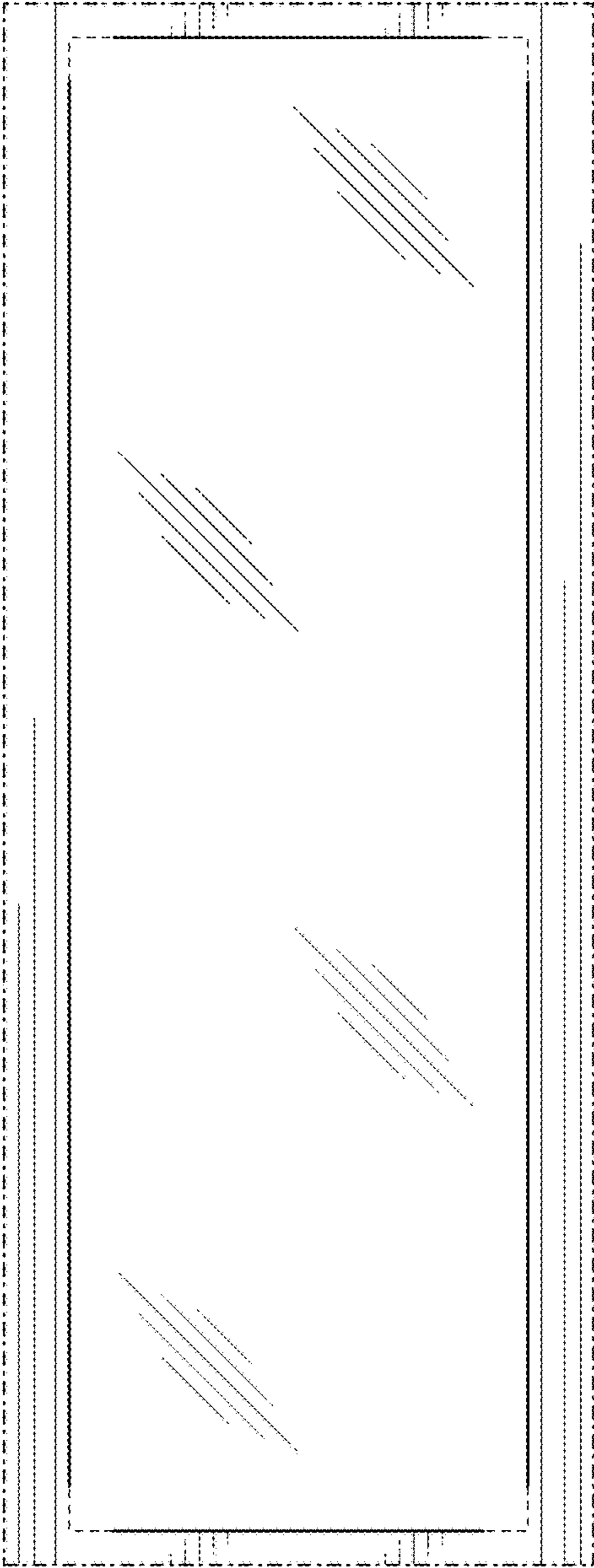


FIG. 3

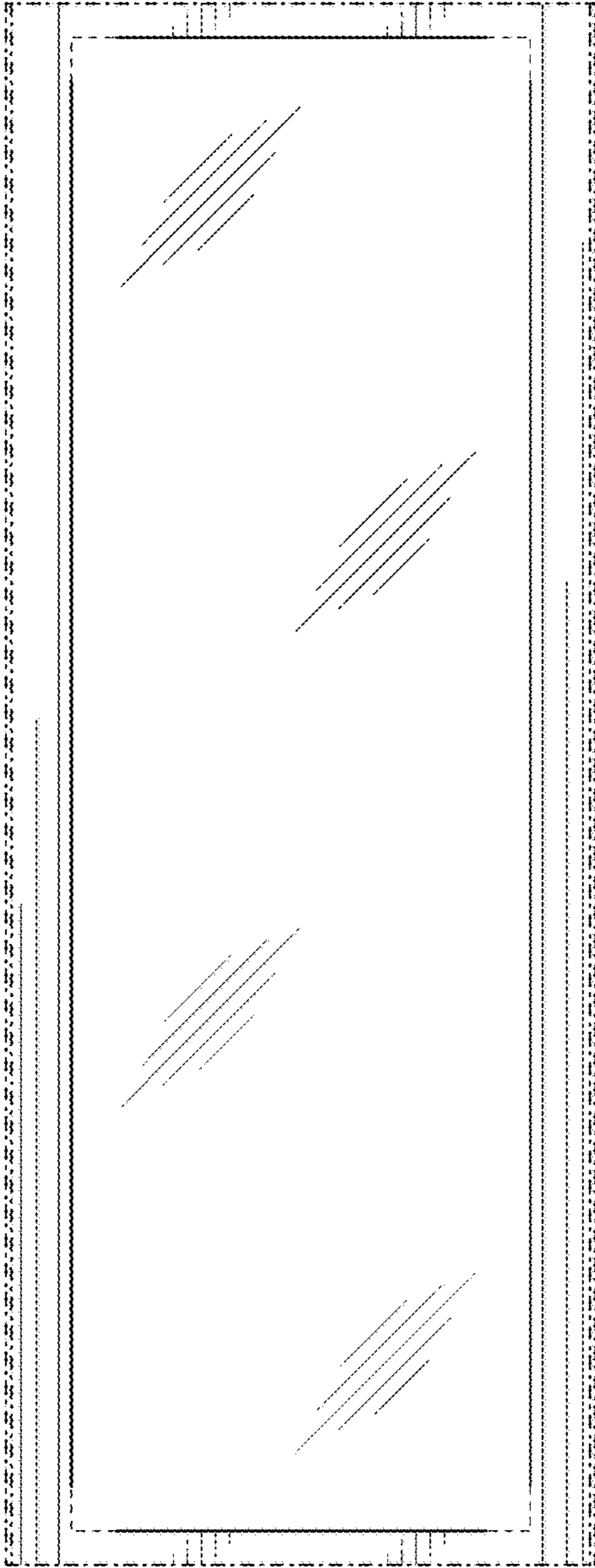


FIG. 4



FIG. 5



FIG. 6

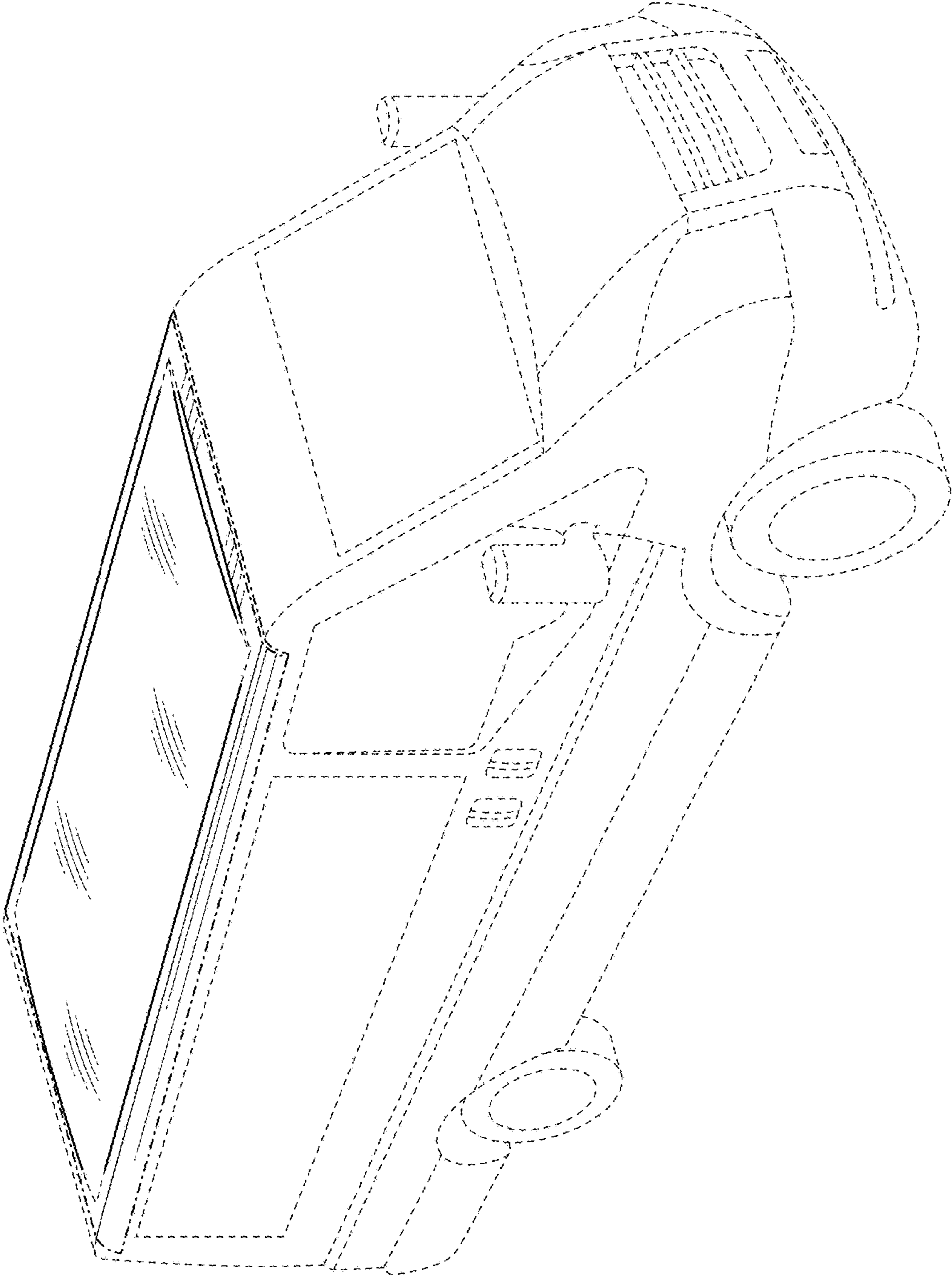


FIG. 7

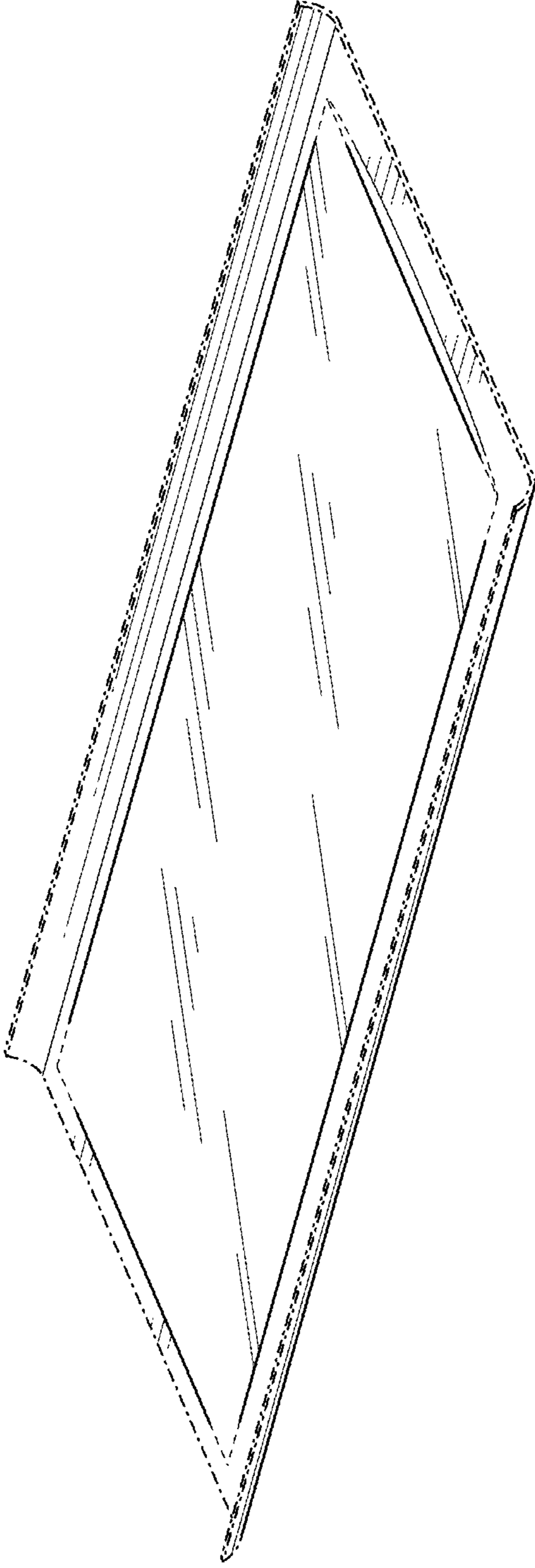


FIG. 8



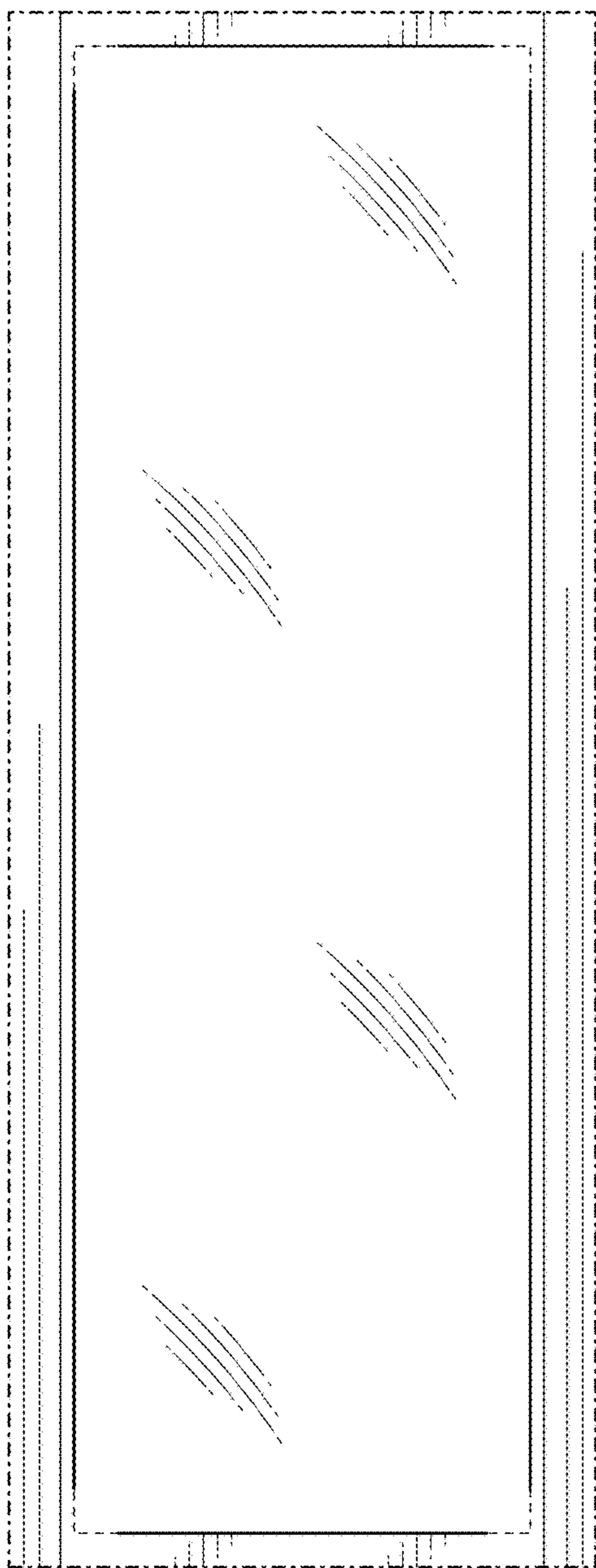


FIG. 9

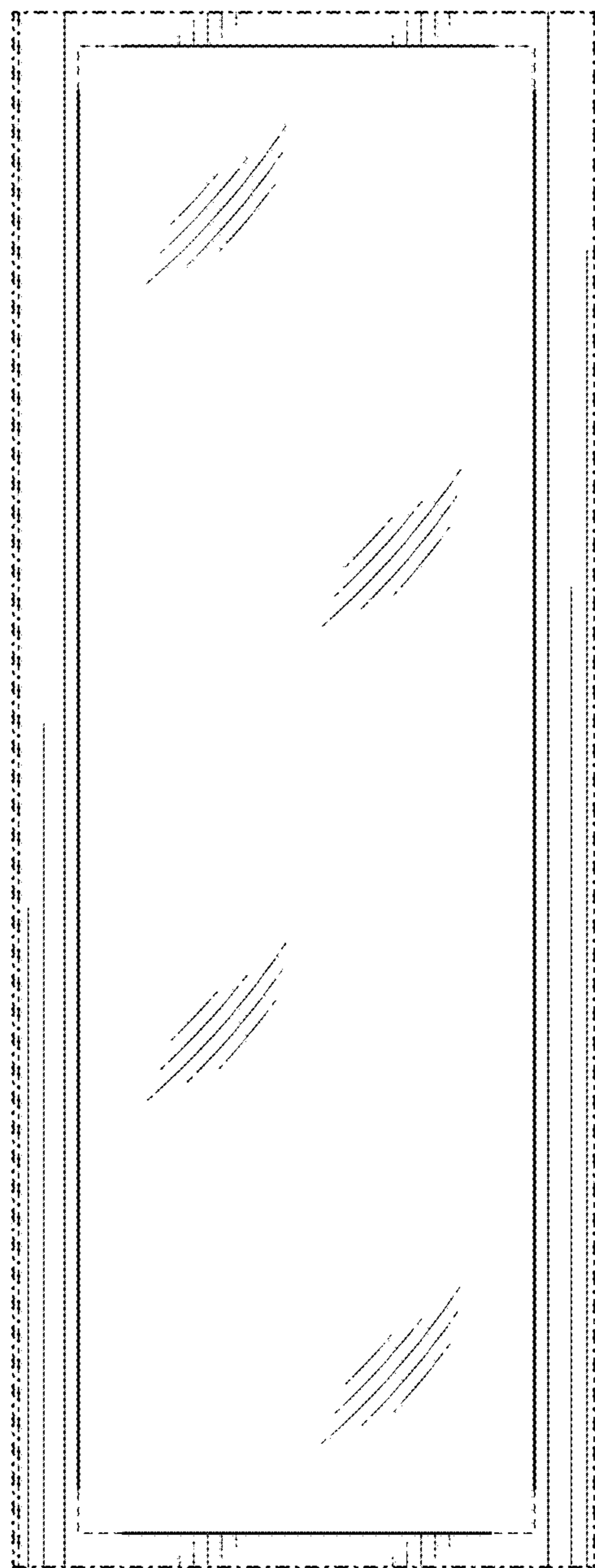


FIG. 10



FIG. 11



FIG. 12