



US00D808885S

(12) **United States Design Patent**
Napieraj

(10) **Patent No.:** **US D808,885 S**
(45) **Date of Patent:** **** Jan. 30, 2018**

(54) **AWNING**

(71) Applicant: **Napier Enterprises**, St. Catharines (CA)

(72) Inventor: **Roman Napieraj**, Ontario (CA)

(73) Assignee: **Napier Enterprises**, St. Catharines, Ontario (CA)

(**) Term: **15 Years**

(21) Appl. No.: **29/567,290**

(22) Filed: **Jun. 7, 2016**

(51) **LOC (11) Cl.** **12-16**

(52) **U.S. Cl.**
USPC **D12/403**

(58) **Field of Classification Search**
USPC D12/400-405
CPC E04H 15/06
See application file for complete search history.

(56) **References Cited**

U.S. PATENT DOCUMENTS

1,508,065	A	9/1924	Ramsdell	
1,745,264	A	1/1930	Margot et al.	
3,746,386	A	7/1973	Woodward	
4,504,049	A	3/1985	Straub	
4,519,409	A	5/1985	Kinney et al.	
5,226,689	A	7/1993	Roe et al.	
D397,669	S *	9/1998	Komick	D12/403

(Continued)

FOREIGN PATENT DOCUMENTS

CA	2468347	A1	12/2005
DE	10219392	A1	11/2003
FR	1111505	A	3/1956
FR	2366775	A7	4/1978

OTHER PUBLICATIONS

“DAC Explorer 2—Minivan and Sport Utility Vehicle Tent”, Retrieved on Dec. 21, 2015 at <https://www.campmor.com/c/dac-explorer-2-minivan-and-sport-utility-vehicle-tent-20747?gclid=Cj0KEQjAtfMSzBRDs7fvDoslZmpoBEiQADzG1vKziZxSCh7-wAHInu8JxjCCq7D9ihSDQAUBeRf7K1LoaAtal8P8HAQ> (6 pages).

(Continued)

Primary Examiner — Katrina A Betton

(74) *Attorney, Agent, or Firm* — Osha Liang LLP

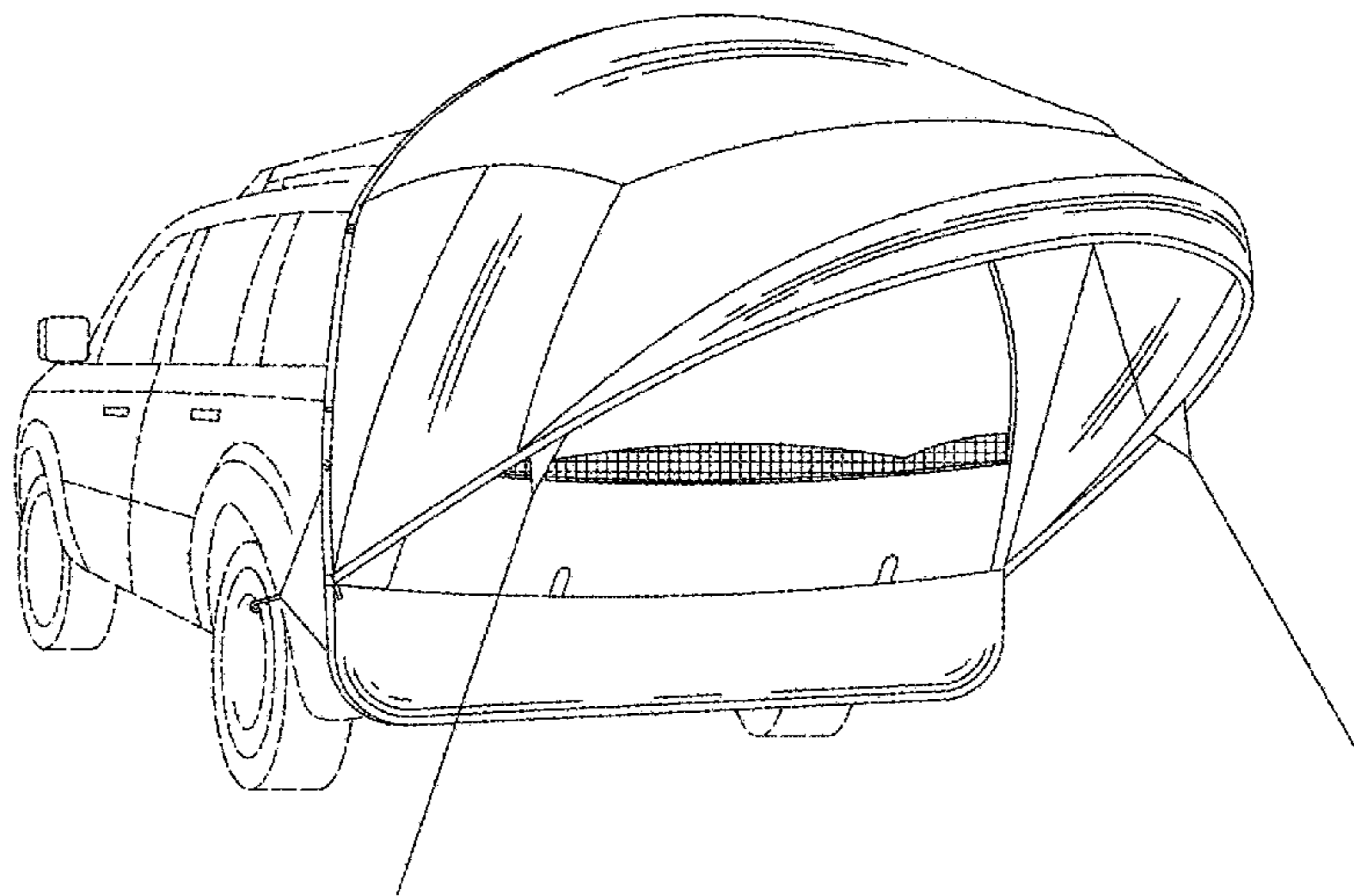
(57) **CLAIM**

An ornamental design for an awning, as shown and described.

DESCRIPTION

FIG. 1 is a front perspective view of an awning shown in a fully open position with the storm flap and mesh (both zippable) folded “rolled” down, illustrating my new design; FIG. 2 is a second front perspective view of the awning shown with the storm flap zipped up and the mesh rolled down, illustrating my new design; FIG. 3 is a third front perspective view of the awning shown with the storm flap zipped up and the mesh rolled down, illustrating my new design; FIG. 4 is a fourth front perspective view of the awning shown in a fully closed position with the storm flap up and the mesh zipped up, illustrating my new design; FIG. 5 is a left side view of the awning as shown in FIG. 1; FIG. 6 is a right side view of the awning as shown in FIG. 1; FIG. 7 is a top view of the awning as shown in FIG. 1; FIG. 8 is a rear perspective view of the awning as shown in FIG. 1; and, FIG. 9 is a front view of the awning fully closed with the storm flap zipped up and the mesh zipped up, as shown in FIG. 4. In the drawings, the broken lines in FIGS. 1-4 depict portions of a vehicle that form no part of the claimed design.

1 Claim, 7 Drawing Sheets



(56)

References Cited

U.S. PATENT DOCUMENTS

D503,143	S *	3/2005	Napieraj	D12/403
7,108,005	B1	9/2006	Christenson et al.	
D583,746	S *	12/2008	Napieraj	D12/403
7,568,491	B2	8/2009	Banfill et al.	
8,230,870	B2	7/2012	Horejsh	
D732,460	S *	6/2015	Seneker	D12/403
9,371,664	B2 *	6/2016	Verhelst	E04H 15/04
9,567,767	B2 *	2/2017	Kendrick	E04H 15/34
9,714,522	B2 *	7/2017	Richmeier	E04H 15/06
D796,420	S *	9/2017	Abrams	D12/403
2003/0230329	A1	12/2003	McGarty	

OTHER PUBLICATIONS

“Home on the Range: Tent Guide”, Apr. 11, 2011, retrieved from <http://www.campinglife.com/camping-gear/home-on-the-range-tent-guide/> (10 pages).

“Travel the American West with USA camper rentals”, Aug. 23, 2015, retrieved from <http://saveamericafoundation.com/travel-the-american-west-with-usa-camper-rentals/> (3 pages).

“Safari Softshell, Inc-Presents the XO-Shell & the All New Omni-Shell”, Retrieved on Dec. 21, 2015, at <http://www.xocom.com/ss/> (2 pages).

“Kodiak Canvas Truck Tent”, Retrieved on Dec. 21, 2015, at http://www.tentsontrucks.com/canvas_truck_tent.htm (2 pages).

“Explorer 2 Tent”, Retrieved on Dec. 21, 2015, at <http://www.tentsontrucks.com/explorer.html> (2 pages).

“Truck Awning and Sunshade by TailGator”, Retrieved on Dec. 21, 2015, at <http://www.discounttruckaccessories.com/cilist.php?SubCategory2=Truck%20Awning%20and%20%20Sunshade%20by%20%20TailGator> (4 pages).

“Cheaper RV Alternatives: How to Vacation on the Road for Less”, Retrieved on Dec. 21, 2015, at <http://www.toyotaplace.com/blog/2012/09/01/cheaper-rv-alternatives-how-to-vacation-on-the-road-for-less/> (5 pages).

* cited by examiner

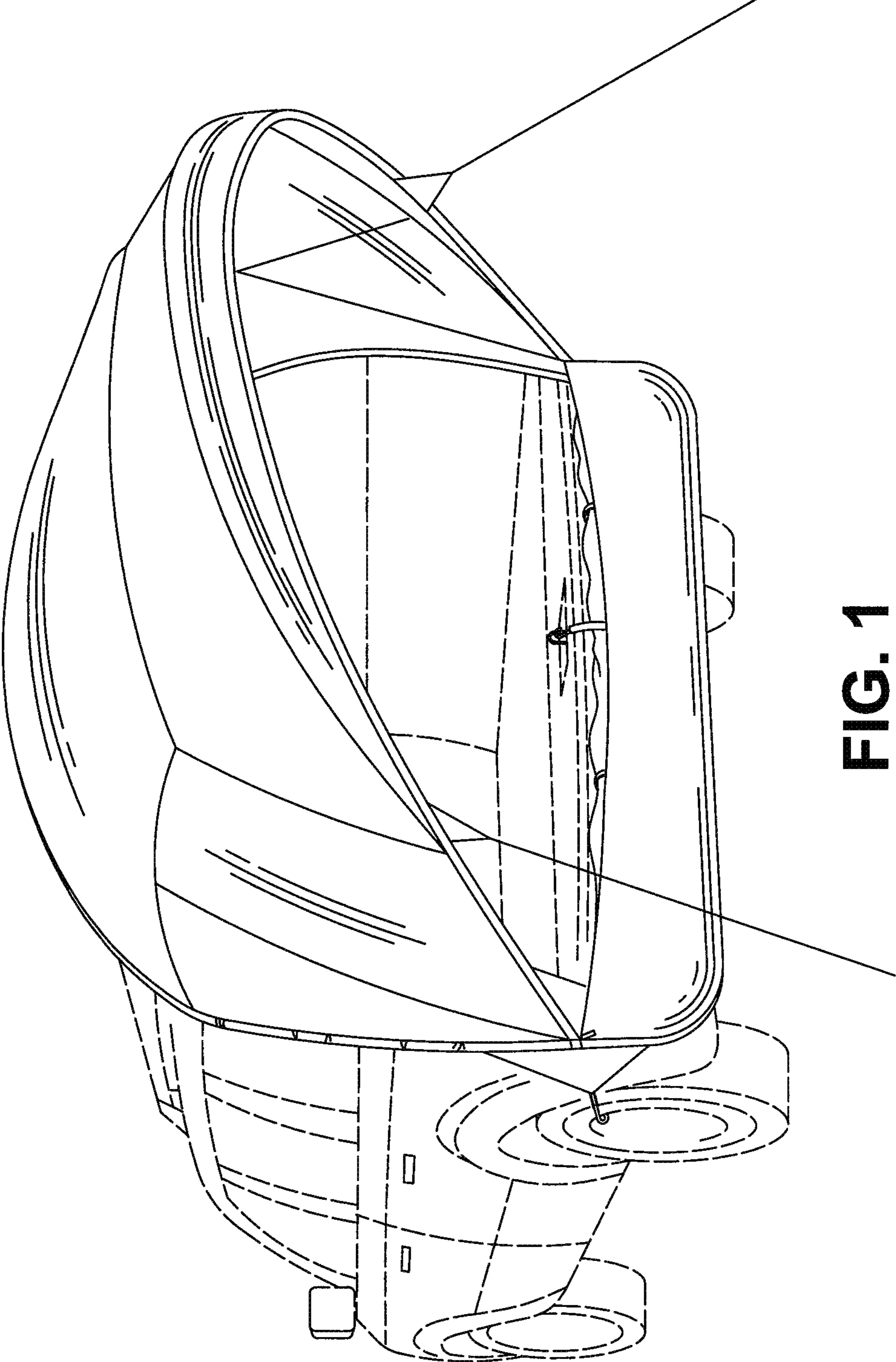


FIG. 1

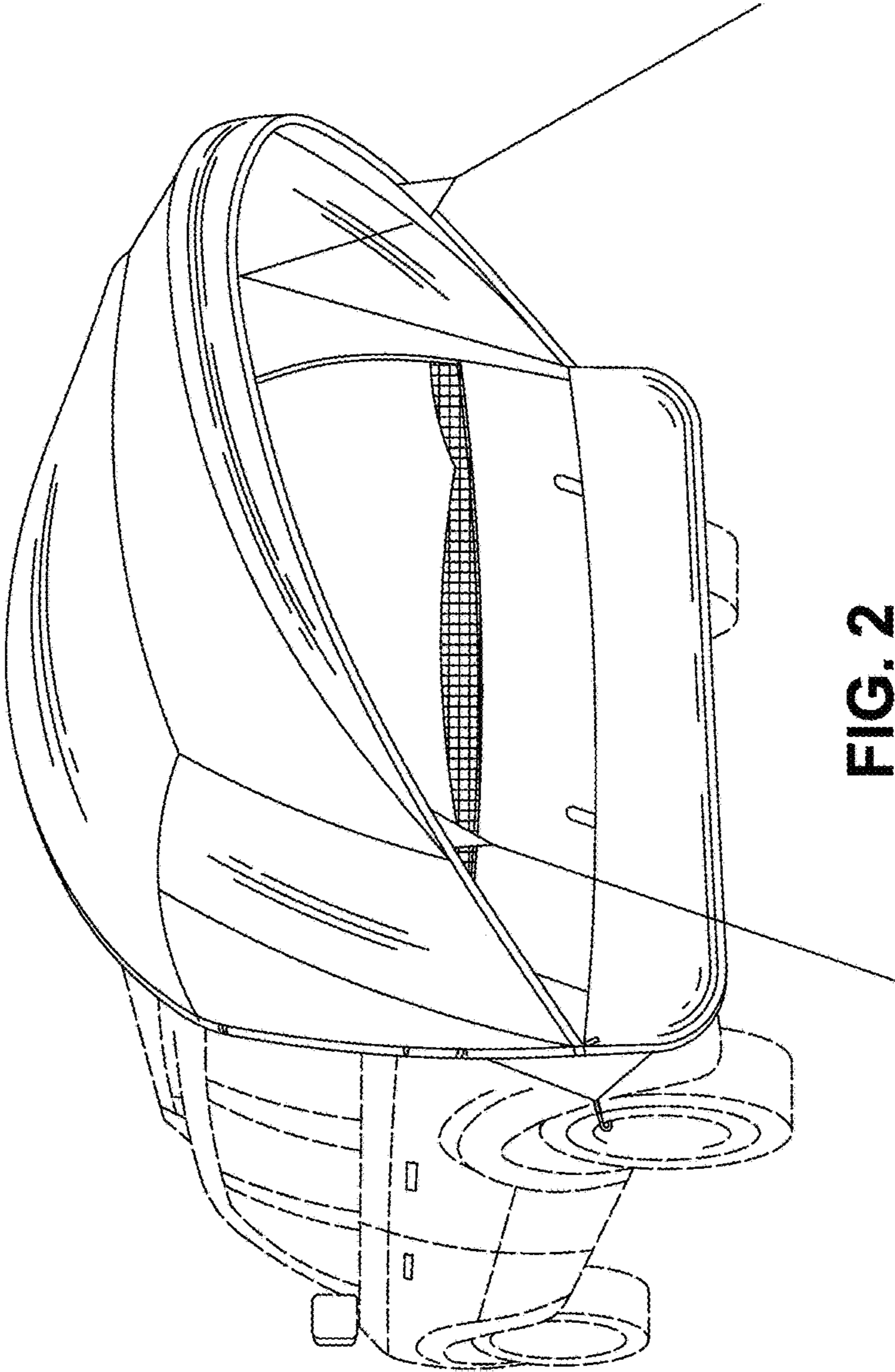


FIG. 2

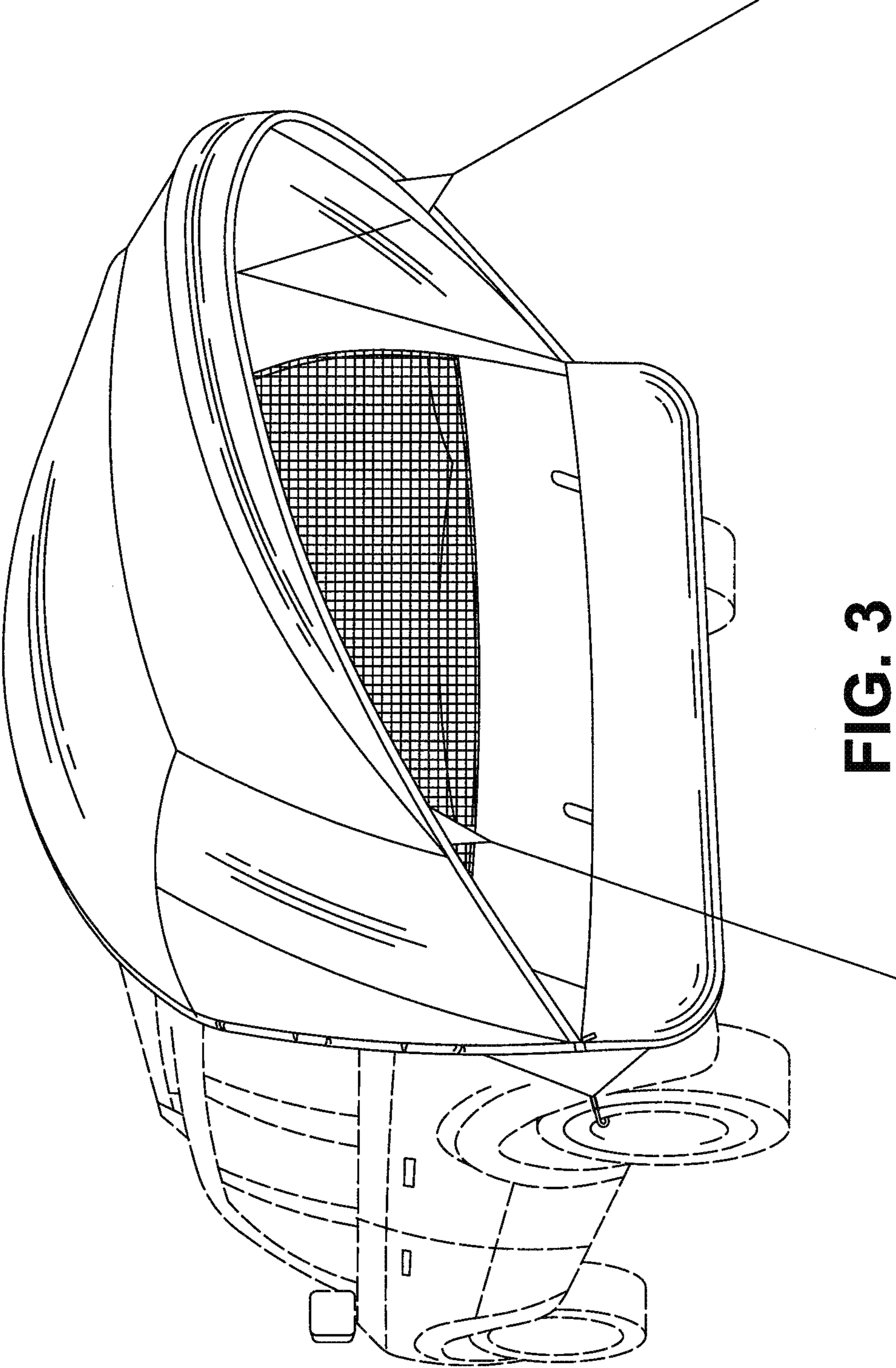


FIG. 3

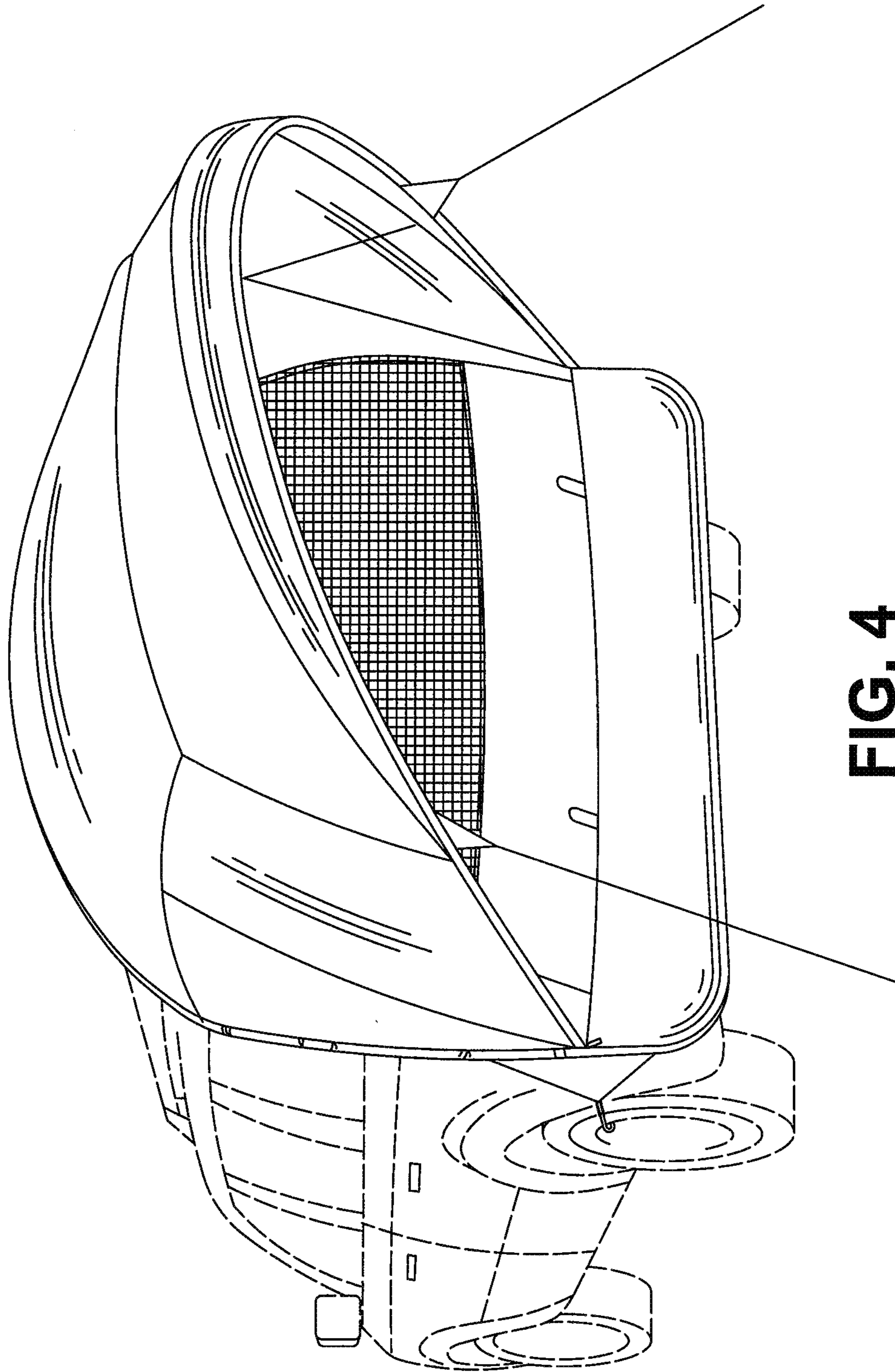


FIG. 4

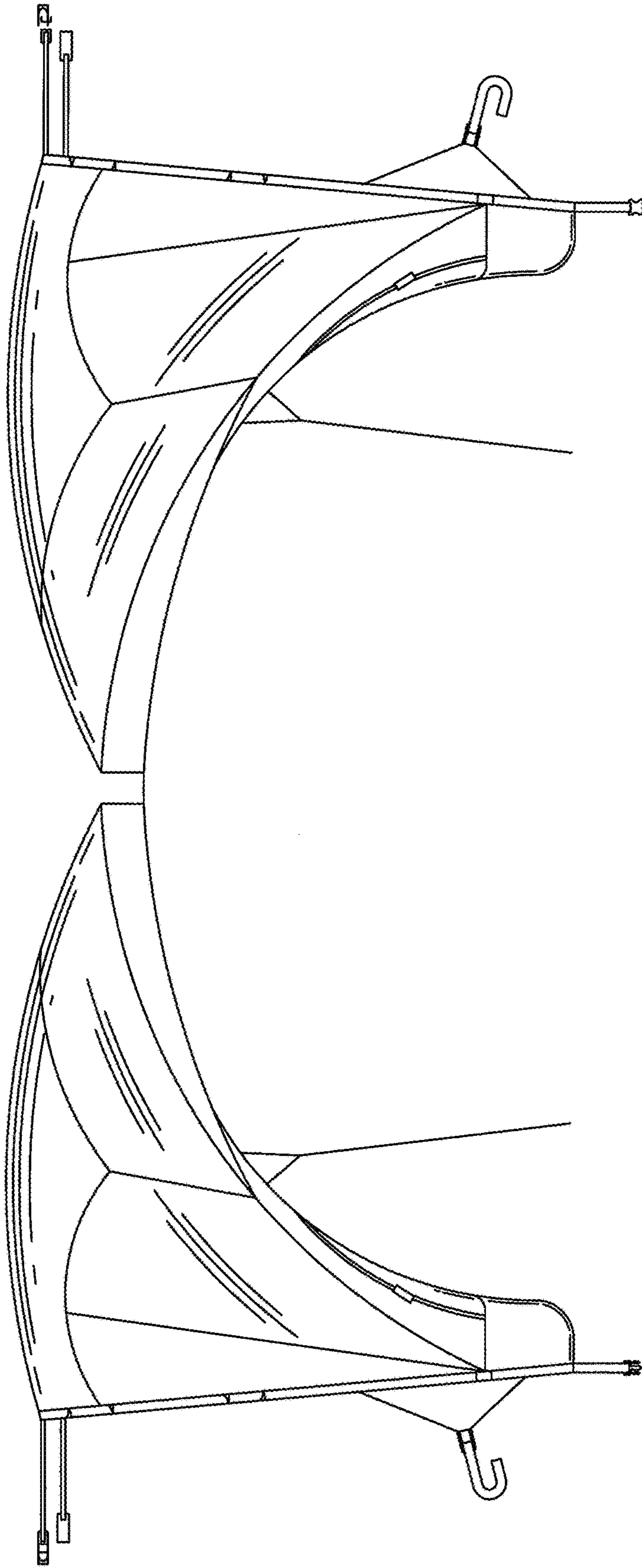


FIG. 5

FIG. 6

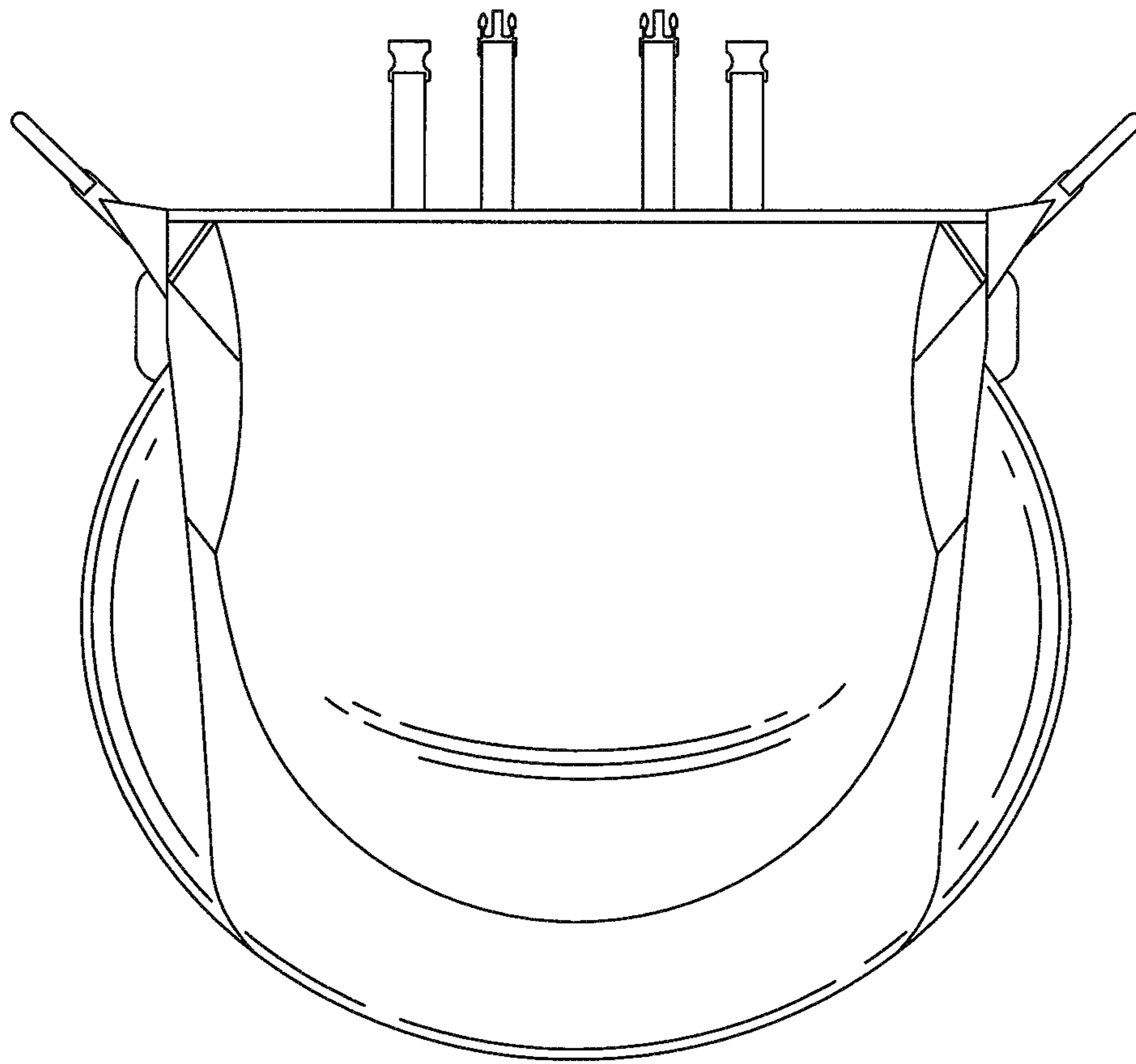


FIG. 7

