



US00D808882S

(12) **United States Design Patent**
Taylor

(10) **Patent No.:** **US D808,882 S**
(45) **Date of Patent:** **** Jan. 30, 2018**

- (54) **WHEEL**
- (71) Applicant: **Fredrick Taylor**, Rome, GA (US)
- (72) Inventor: **Fredrick Taylor**, Rome, GA (US)
- (**) Term: **15 Years**
- (21) Appl. No.: **29/558,379**
- (22) Filed: **Mar. 17, 2016**
- (51) **LOC (11) Cl.** **12-16**
- (52) **U.S. Cl.**
USPC **D12/211**
- (58) **Field of Classification Search**
USPC D12/204–213
CPC B60B 7/00; B60B 7/02; B60B 7/04; B60B 7/01; B60B 7/06; B60B 3/02; B60B 3/04; B60B 3/06; B60B 3/10; B60B 1/00; B60B 1/08; B60B 1/10; B60B 1/12
See application file for complete search history.

D526,263 S *	8/2006	Brown	D12/209
D539,722 S *	4/2007	Pfeiffer	D12/211
D597,920 S *	8/2009	Idei	D12/211
D660,772 S *	5/2012	Gotschke	D12/211
D696,617 S *	12/2013	Mueller-Stolz	D12/211
D720,275 S *	12/2014	Szavits	D12/211
D725,573 S *	3/2015	Mahoney	D12/211
D742,296 S *	11/2015	Garbas	D12/211
D751,487 S *	3/2016	Harriton	D12/211
D768,554 S *	10/2016	Rueckheim	D12/211

* cited by examiner

Primary Examiner — Stacia Cadmus

(74) *Attorney, Agent, or Firm* — Thomas|Horstemeyer, LLP

(56) **References Cited**

U.S. PATENT DOCUMENTS

D238,421 S *	1/1976	Whittine	D12/211
D252,565 S *	8/1979	Blanchard	D12/211
D345,338 S *	3/1994	Gabath	D12/209
D513,489 S *	1/2006	Momokawa	D12/211

(57) **CLAIM**

The ornamental design for a wheel, as shown and described.

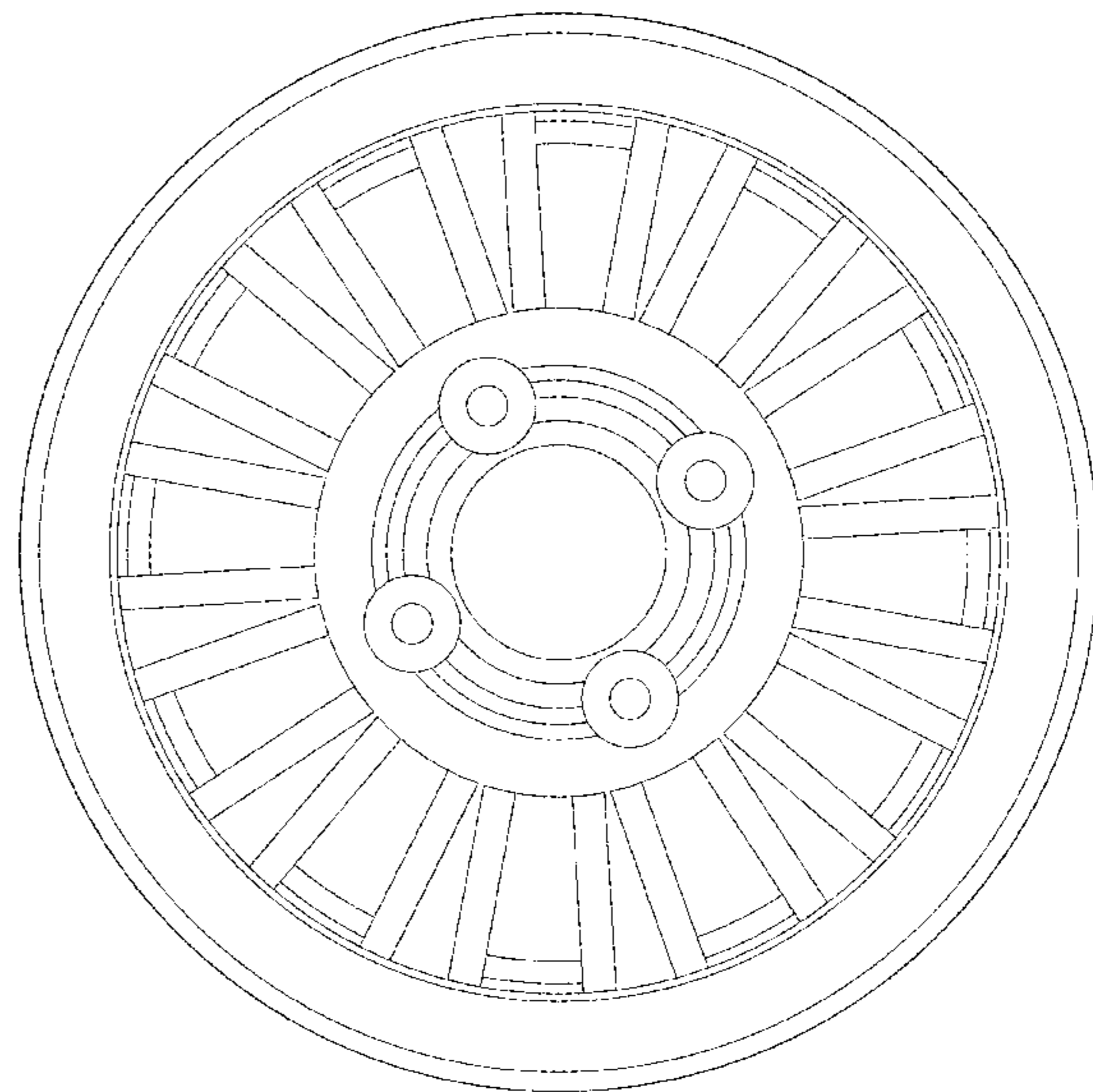
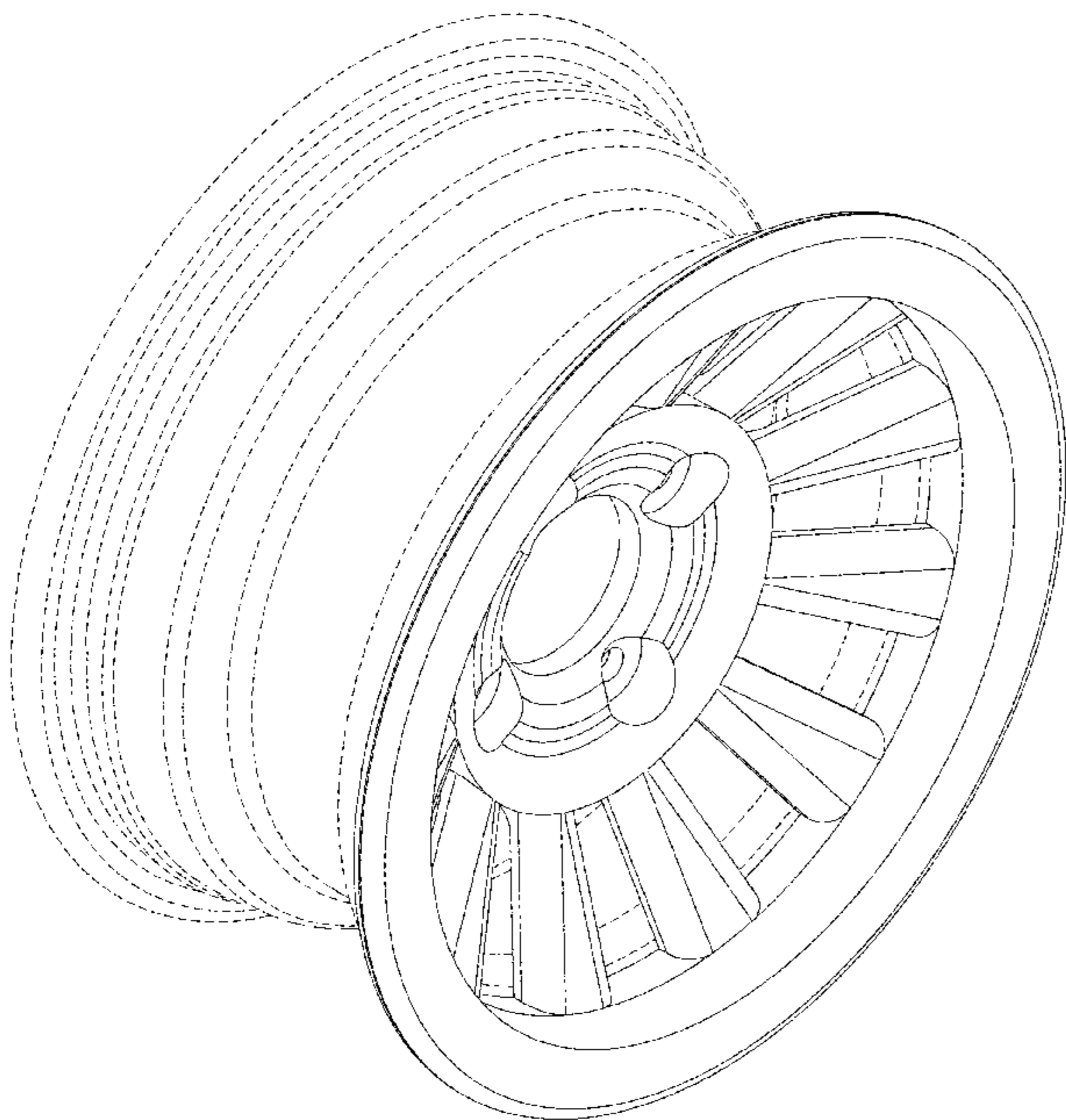
DESCRIPTION

FIG. 1 is a perspective view of a wheel, showing my new design; and,

FIG. 2 is a front view thereof.

The broken line showing of the rear portion of the wheel is included for the purpose of illustrating environment and forms no part of the claimed design.

1 Claim, 2 Drawing Sheets



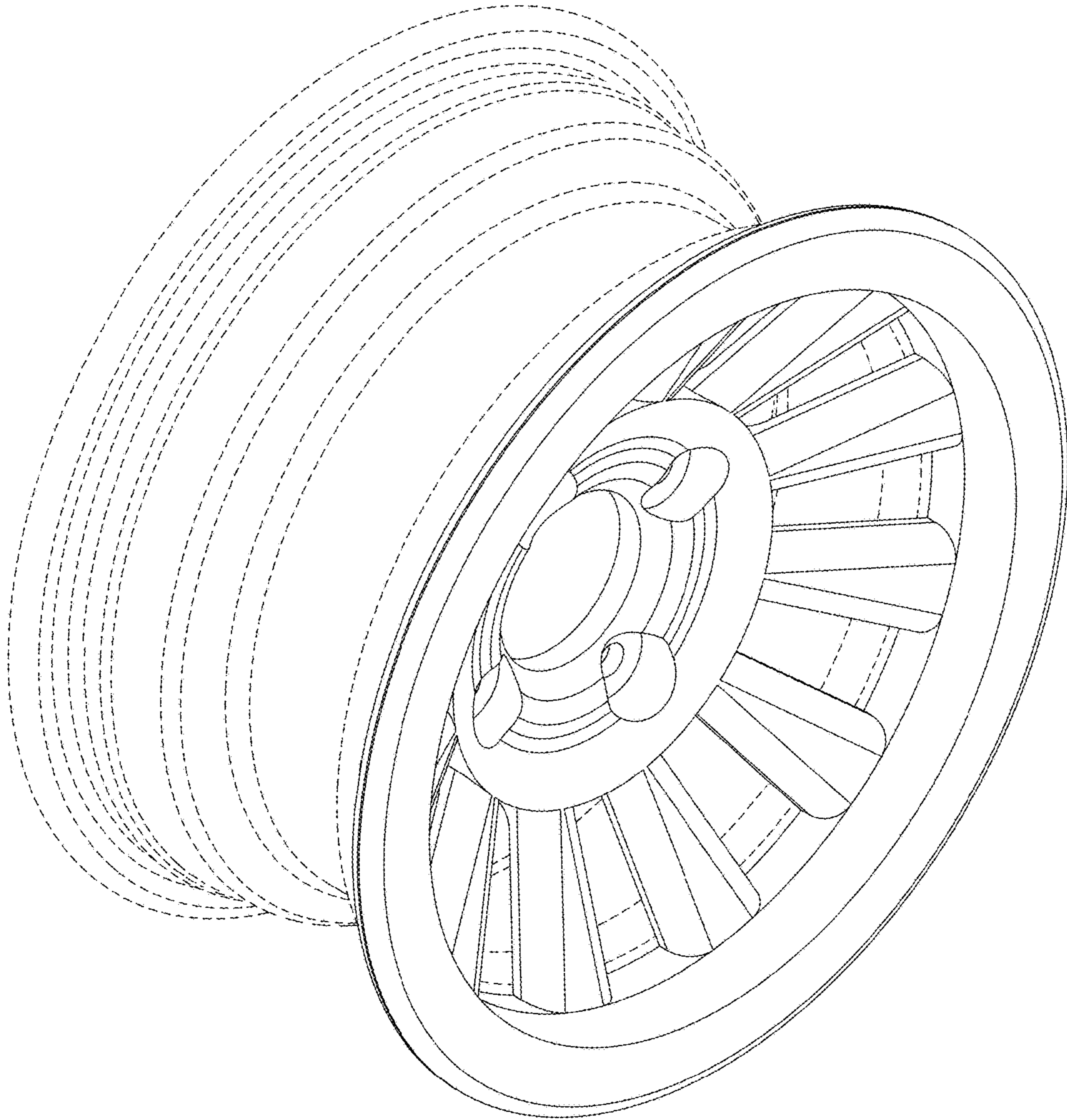


FIG. 1

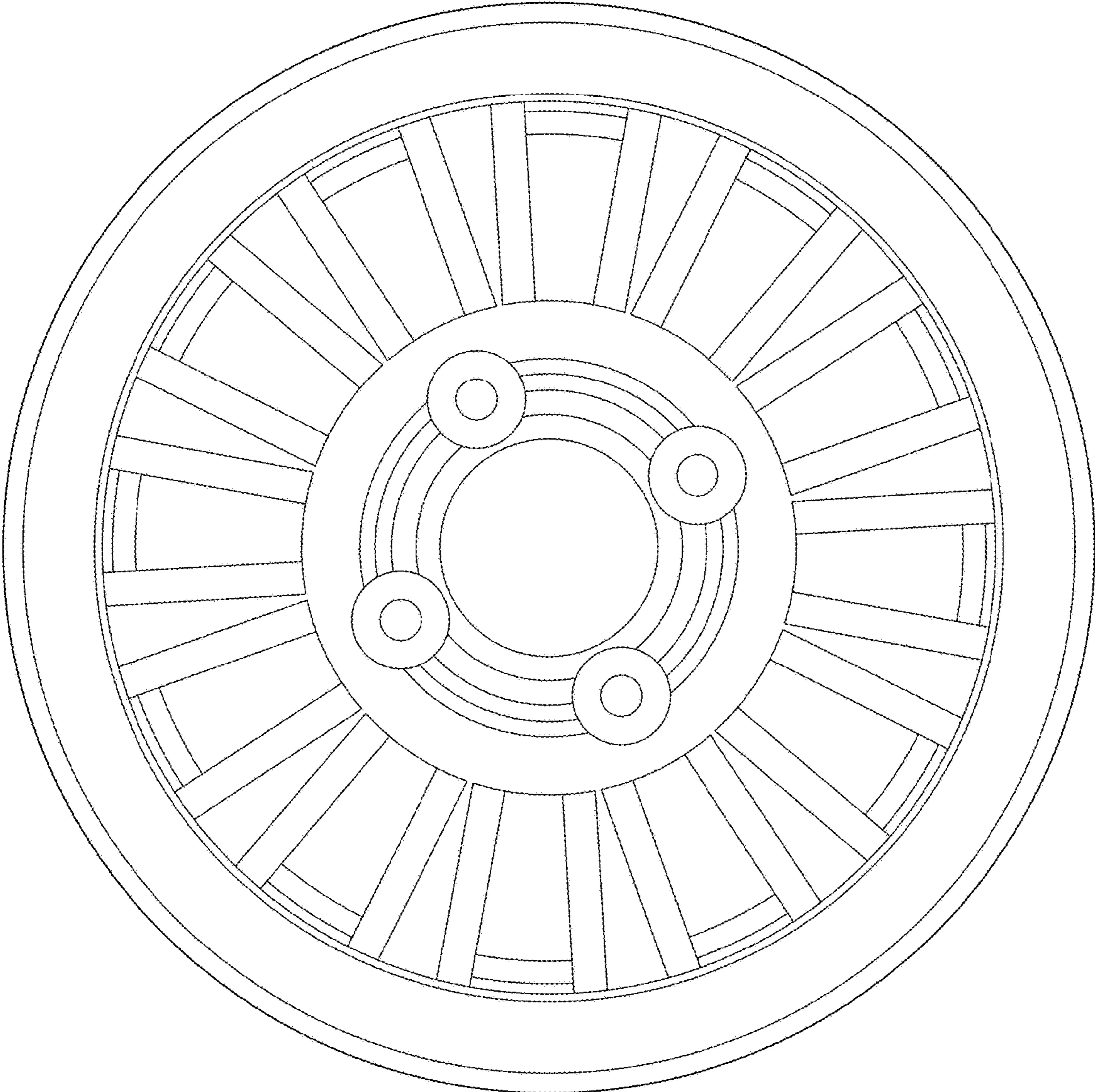


FIG. 2