



US00D808881S

(12) **United States Design Patent**  
**Simpson**

(10) **Patent No.:** **US D808,881 S**

(45) **Date of Patent:** **\*\* Jan. 30, 2018**

- (54) **WHEEL FOR MOTOR VEHICLE**
- (71) Applicant: **Lipham Trading Company, LLC**,  
Lynchburg, TN (US)
- (72) Inventor: **David Simpson**, Marietta, GA (US)
- (73) Assignee: **TURN 5, INC.**, Malvern, PA (US)
- (\*\*) Term: **14 Years**
- (21) Appl. No.: **29/499,587**

- D460,036 S 7/2002 Yajima
- D461,153 S 8/2002 Koyama
- D461,440 S 8/2002 Koch
- D465,759 S 11/2002 Leutz et al.
- D466,067 S 11/2002 Muzzarelli
- D466,068 S 11/2002 Maifrini
- D466,850 S 12/2002 Cullen
- D476,285 S 6/2003 Yoshida et al.
- D478,031 S 8/2003 Brown et al.
- D486,112 S 2/2004 Lecher
- D486,113 S 2/2004 Lecher et al.
- D487,242 S 3/2004 Lecher et al.
- D492,236 S 6/2004 Brown et al.
- D492,238 S 6/2004 Bernoni

(Continued)

- (22) Filed: **Aug. 15, 2014**
- (51) **LOC (11) Cl.** ..... **12-16**
- (52) **U.S. Cl.**  
USPC ..... **D12/211**
- (58) **Field of Classification Search**  
USPC ..... D12/204-213  
CPC .... B60B 7/00; B60B 7/02; B60B 7/04; B60B  
7/01; B60B 7/06; B60B 3/02; B60B 3/04;  
B60B 3/06; B60B 3/10; B60B 1/00;  
B60B 1/08; B60B 1/10; B60B 1/12  
See application file for complete search history.

*Primary Examiner* — George D. Kirschbaum  
*Assistant Examiner* — Joseph J. Kukella  
 (74) *Attorney, Agent, or Firm* — Mannava & Kang, P.C.;  
 Arash Behravesh

(57) **CLAIM**

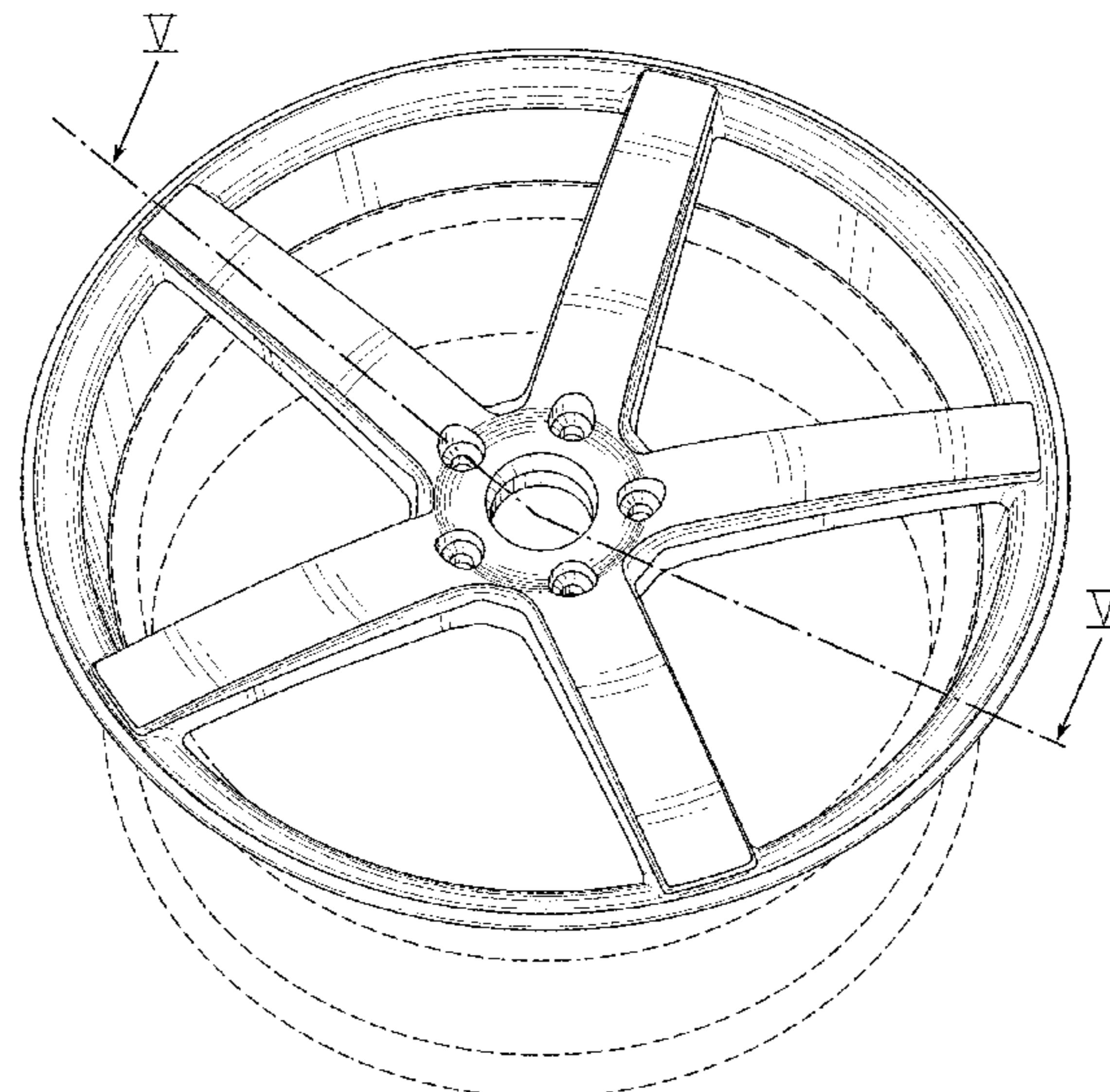
The ornamental design for a wheel for a motor vehicle, as shown and described.

**DESCRIPTION**

FIG. 1 is a perspective view of a wheel for a motor vehicle, showing my new design;  
 FIG. 2 is a top view thereof;  
 FIG. 3 is a back view thereof;  
 FIG. 4 is a side view thereof;  
 FIG. 5 is a cross-sectional view thereof, taken along line V-V in FIG. 1;  
 FIG. 6 is a perspective view of a second embodiment of a wheel for a motor vehicle showing my new design; and,  
 FIG. 7 is a cross-sectional view of the wheel for a motor vehicle in FIG. 6, taken along line VII-VII in FIG. 6.  
 The broken line showing of the rim is included for the purpose of illustrating environmental subject matter and forms no part of the claimed design.

- (56) **References Cited**  
U.S. PATENT DOCUMENTS
- D214,620 S \* 7/1969 Barris ..... D12/211
- D231,349 S 4/1974 Gaffney
- D361,976 S 9/1995 Echazabal et al.
- D375,073 S 10/1996 Theiss
- D375,286 S 11/1996 Abbott
- D401,205 S 11/1998 Fischer
- D412,149 S 7/1999 Corioni
- D428,845 S 8/2000 Yoshida et al.
- D439,212 S 3/2001 Neeper
- D444,283 S 6/2001 Konkle
- D450,030 S 11/2001 Pfeiffer
- D451,466 S 12/2001 Fujii
- D452,840 S 1/2002 Hall
- D458,208 S 6/2002 Hartl
- D459,690 S 7/2002 Bintoro

**1 Claim, 7 Drawing Sheets**



(56)

References Cited

U.S. PATENT DOCUMENTS

D500,727 S *	1/2005	Thompson	.....	D12/211	D595,631 S	7/2009	Musser	
D503,370 S	3/2005	Nordmann			D603,778 S *	11/2009	Chung	..... D12/211
D503,916 S	4/2005	Clarke			D624,476 S	9/2010	Goto et al.	
D514,495 S	2/2006	Hieke			D638,767 S	5/2011	Groom	
D515,492 S	2/2006	Fitzgerald			D639,220 S *	6/2011	Zhao	..... D12/209
D515,996 S	2/2006	Baumgartner			D641,302 S	7/2011	Ettensberger	
D524,712 S	7/2006	Pfeiffer			D651,957 S	1/2012	Chung	
D525,931 S	8/2006	Chen			D652,364 S *	1/2012	Zhao	..... D12/211
D526,946 S	8/2006	Takechi			D664,910 S	8/2012	Gallert	
D528,059 S	9/2006	Kieke			D671,061 S	11/2012	Dilber et al.	
D532,733 S	11/2006	Hieke			D680,048 S	4/2013	Zhao	
D532,734 S	11/2006	Hieke			D682,766 S	5/2013	Zhao	
D535,240 S	1/2007	Chang			D683,293 S	5/2013	Wang	
D538,215 S	3/2007	Laengerer et al.			D703,124 S	4/2014	Gallert	
D540,733 S	4/2007	Castiglione			D703,601 S *	4/2014	Chung	..... D12/211
D582,329 S	12/2008	Hieke			D725,020 S *	3/2015	Kim	..... D12/211
D585,351 S	1/2009	Hieke			D741,241 S *	10/2015	Hale, Jr.	..... D12/211
D591,216 S	4/2009	Laengerer			D742,295 S *	11/2015	Zhao	..... D12/211
D593,477 S	6/2009	Chen et al.			D742,799 S *	11/2015	Zhao	..... D12/211
D595,201 S	6/2009	Antoniadis et al.			D749,030 S *	2/2016	Zhao	..... D12/211
					D753,041 S *	4/2016	Kim	..... D12/209
					D765,574 S *	9/2016	Hale, Jr.	..... D12/211

\* cited by examiner

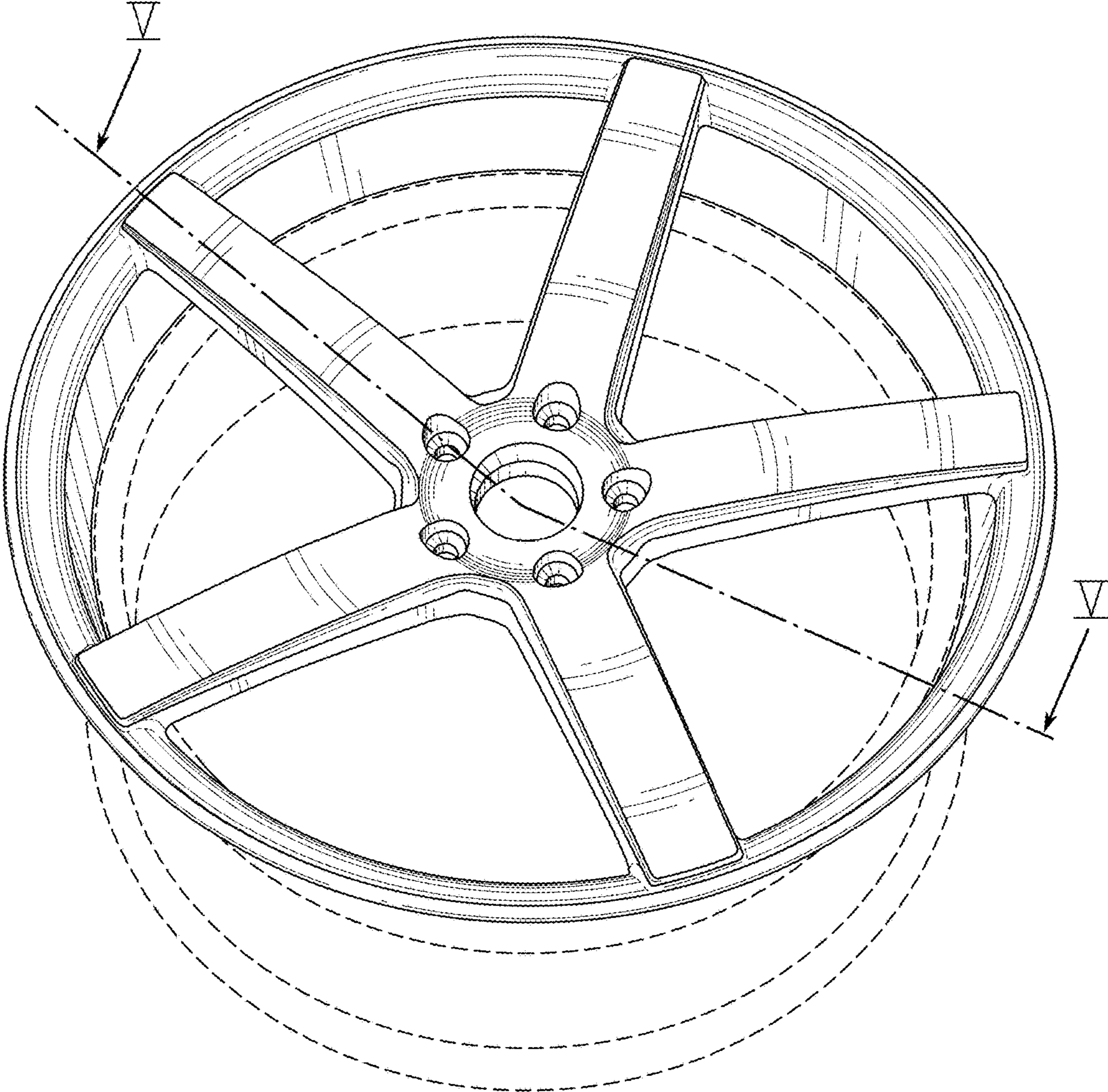


Fig. 1

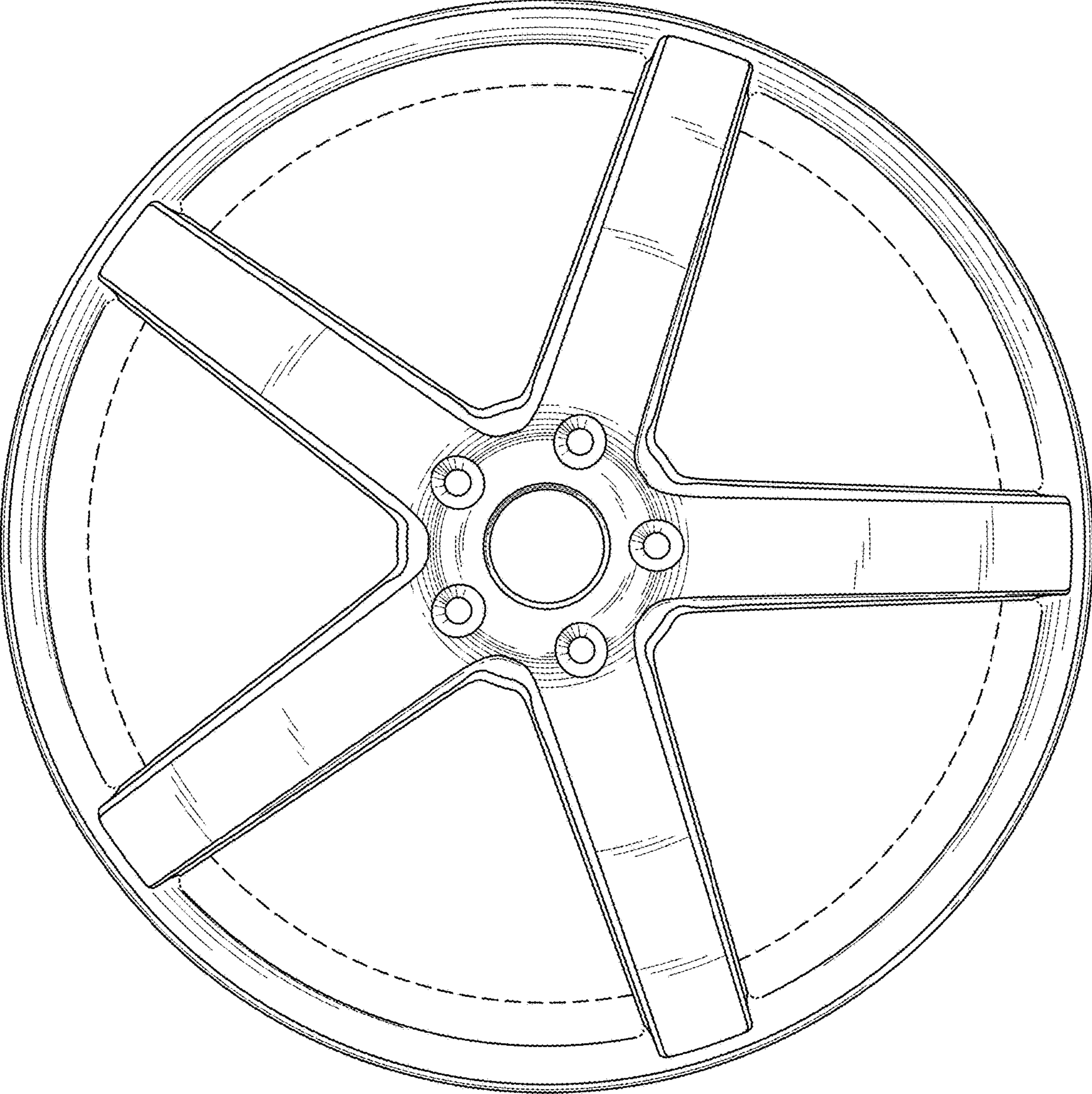


Fig. 2

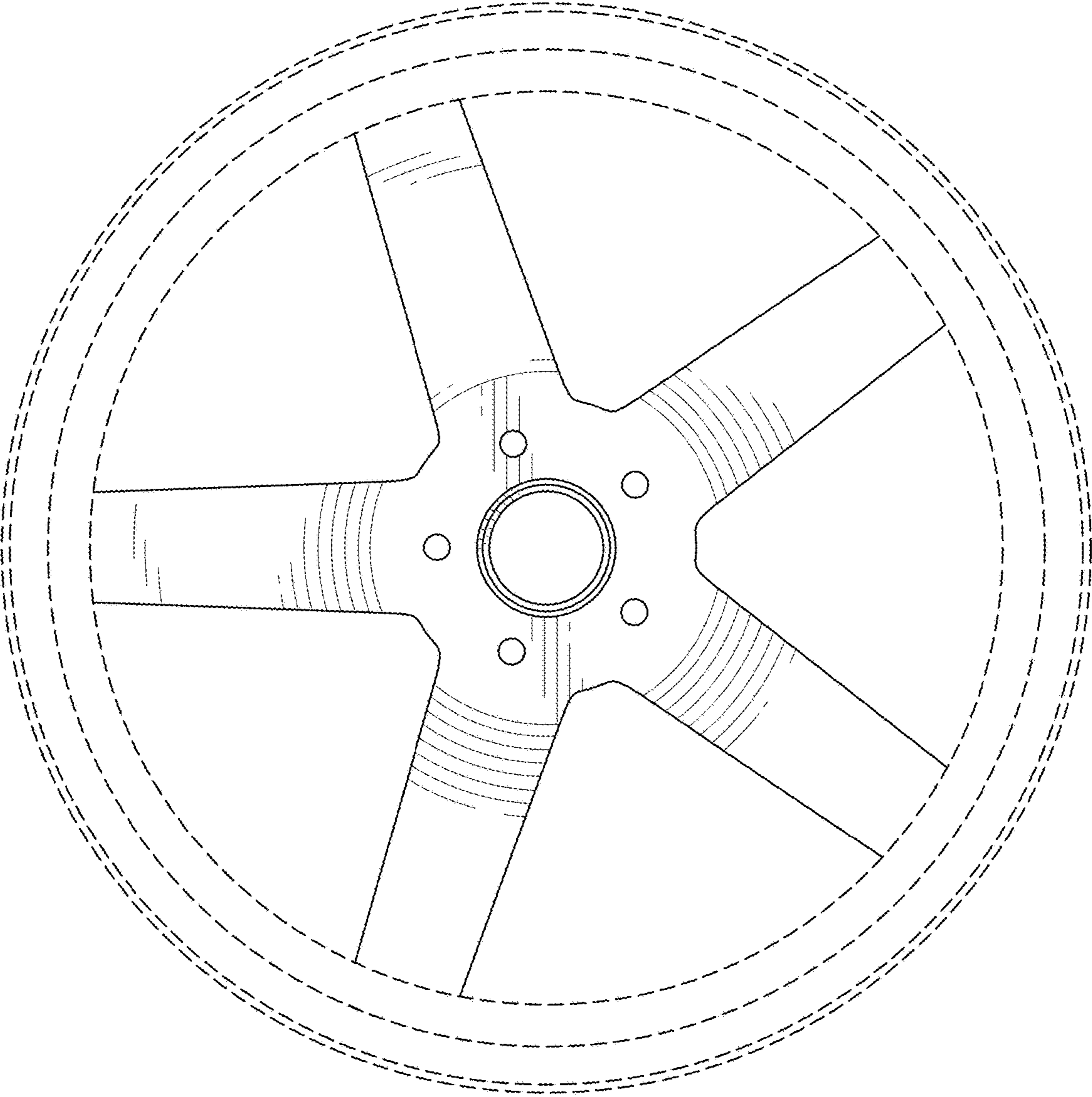


Fig. 3

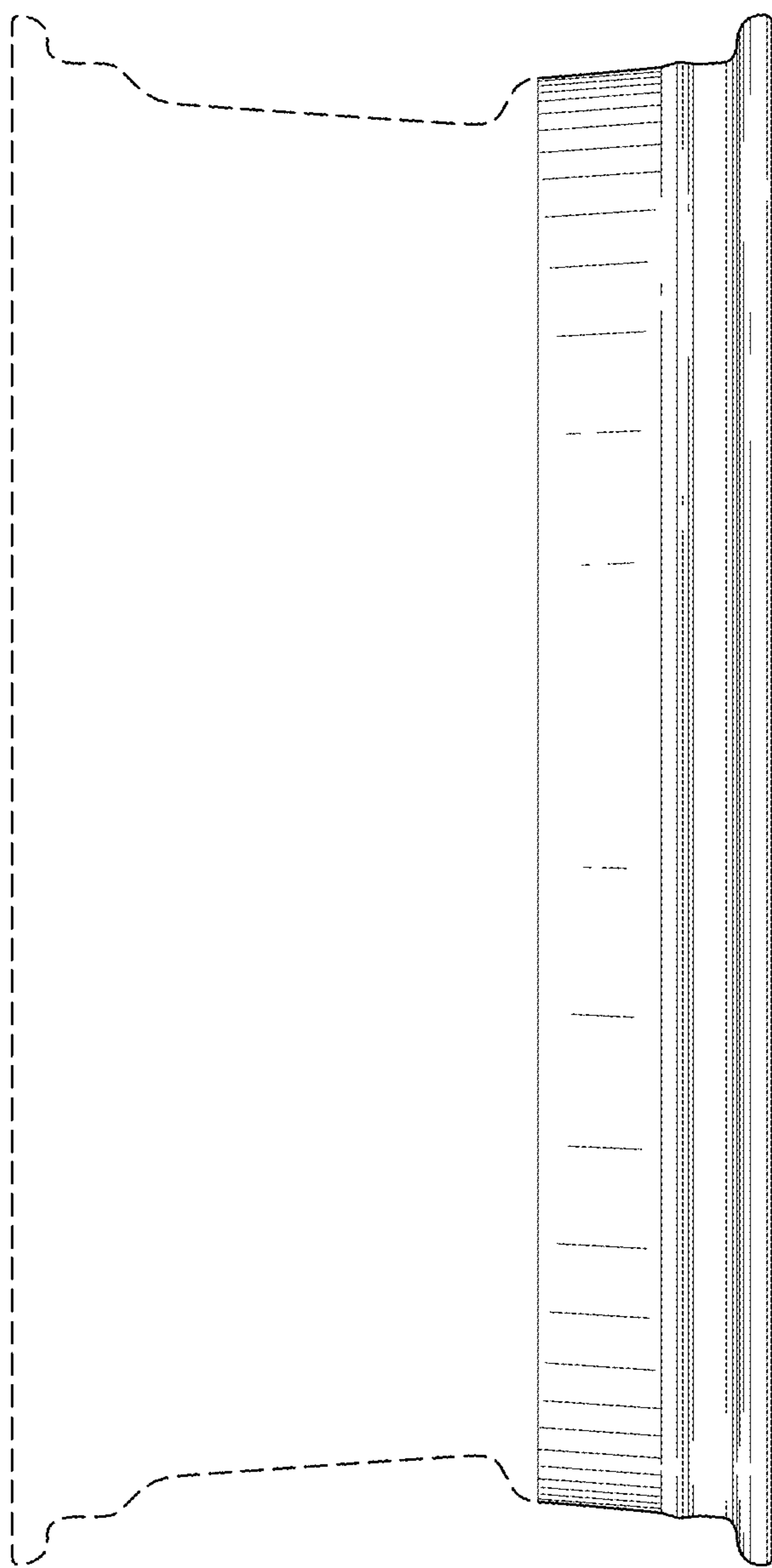


Fig. 4

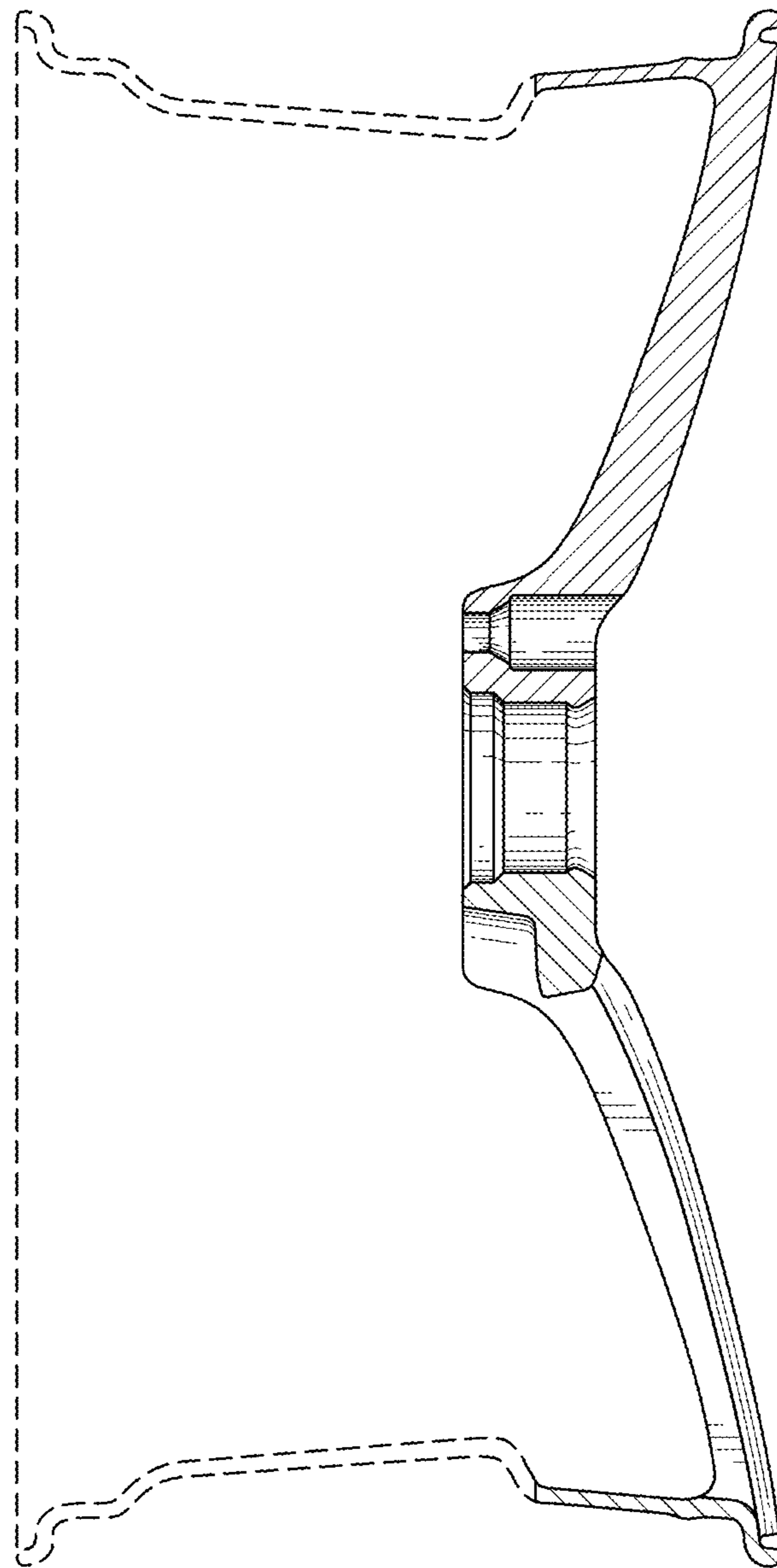


Fig. 5

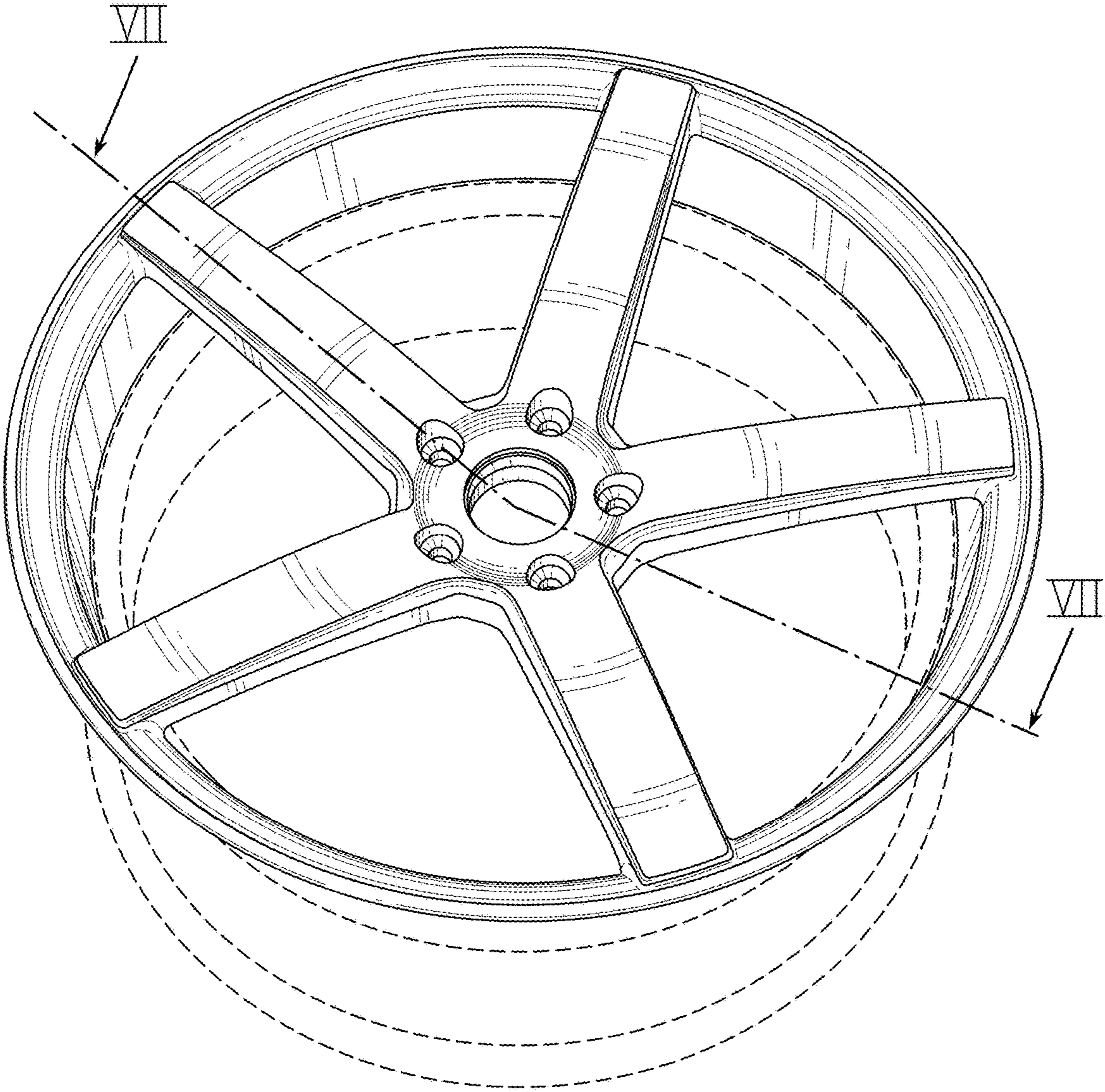


Fig. 6



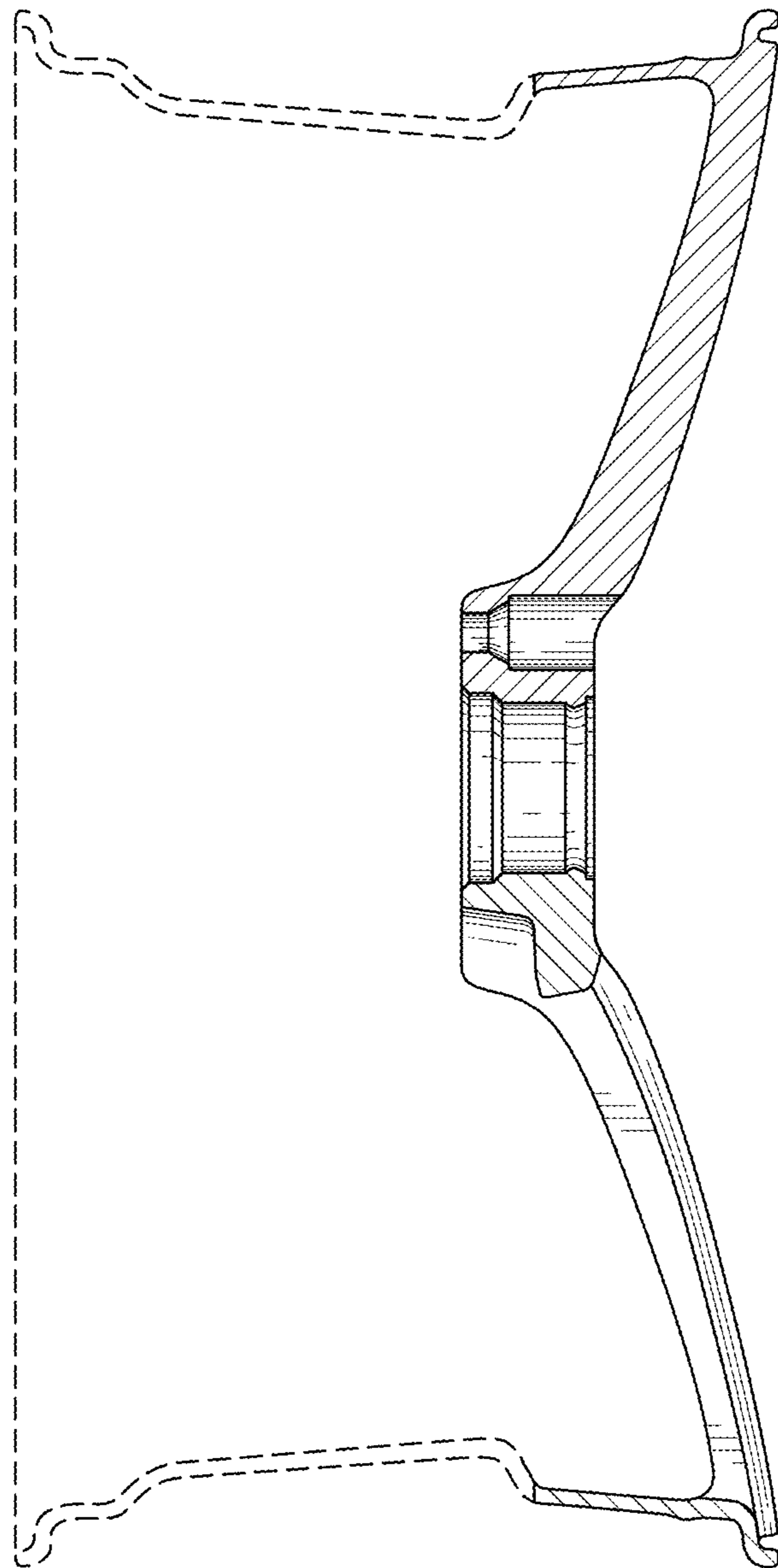


Fig. 7