



US00D808879S

(12) **United States Design Patent**
Taylor

(10) **Patent No.:** **US D808,879 S**

(45) **Date of Patent:** **** Jan. 30, 2018**

(54) **WHEEL**

(71) Applicant: **Fredrick Taylor**, Rome, GA (US)

(72) Inventor: **Fredrick Taylor**, Rome, GA (US)

(**) Term: **15 Years**

(21) Appl. No.: **29/558,380**

(22) Filed: **Mar. 17, 2016**

(51) **LOC (11) Cl.** **12-16**

(52) **U.S. Cl.**
USPC **D12/209**

(58) **Field of Classification Search**
USPC D12/204–213
CPC B60B 7/00; B60B 7/02; B60B 7/04; B60B
7/01; B60B 7/06; B60B 3/02; B60B 3/04;
B60B 3/06; B60B 3/10; B60B 1/00;
B60B 1/08; B60B 1/10; B60B 1/12
See application file for complete search history.

(56) **References Cited**

U.S. PATENT DOCUMENTS

D539,723 S * 4/2007 Musser D12/211
D620,863 S * 8/2010 Groom D12/209
D659,064 S * 5/2012 Johnson D12/209

D670,222 S * 11/2012 Chung D12/209
D675,970 S * 2/2013 Lee D12/209
D695,181 S * 12/2013 Kong D12/209
D706,193 S * 6/2014 Lee D12/209
D707,168 S * 6/2014 Chan D12/209
D718,204 S * 11/2014 Johnson D12/209
D719,496 S * 12/2014 Johnson D12/209
D721,318 S * 1/2015 Kim D12/211
D747,674 S * 1/2016 Johnson D12/209
D748,557 S * 2/2016 Johnson D12/209
D752,497 S * 3/2016 Johnson D12/209
D766,805 S * 9/2016 Chung D12/211

* cited by examiner

Primary Examiner — Stacia Cadmus

(74) *Attorney, Agent, or Firm* — Thomas | Horstemeyer,
LLP

(57) **CLAIM**

The ornamental design for a wheel, as shown and described.

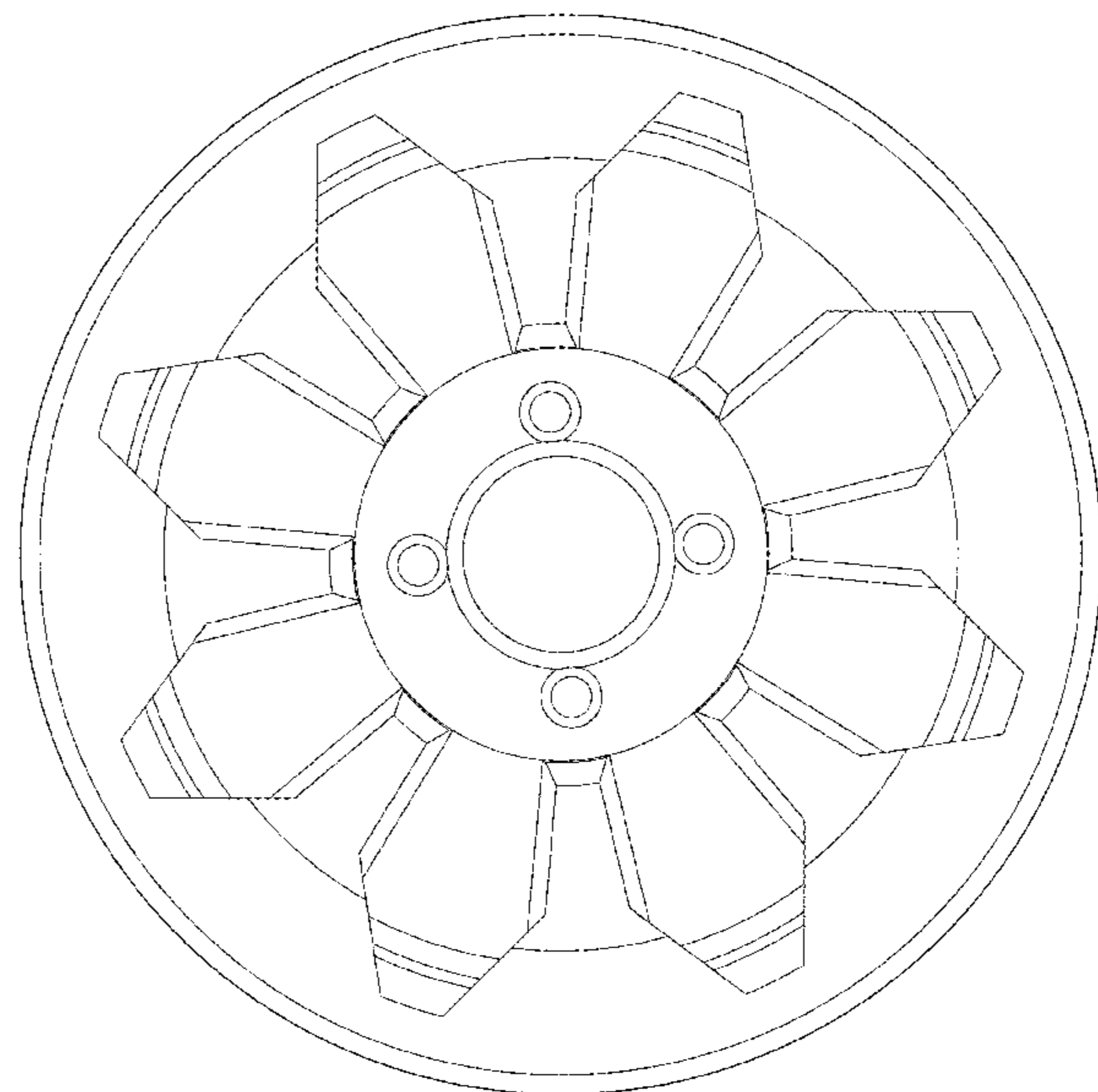
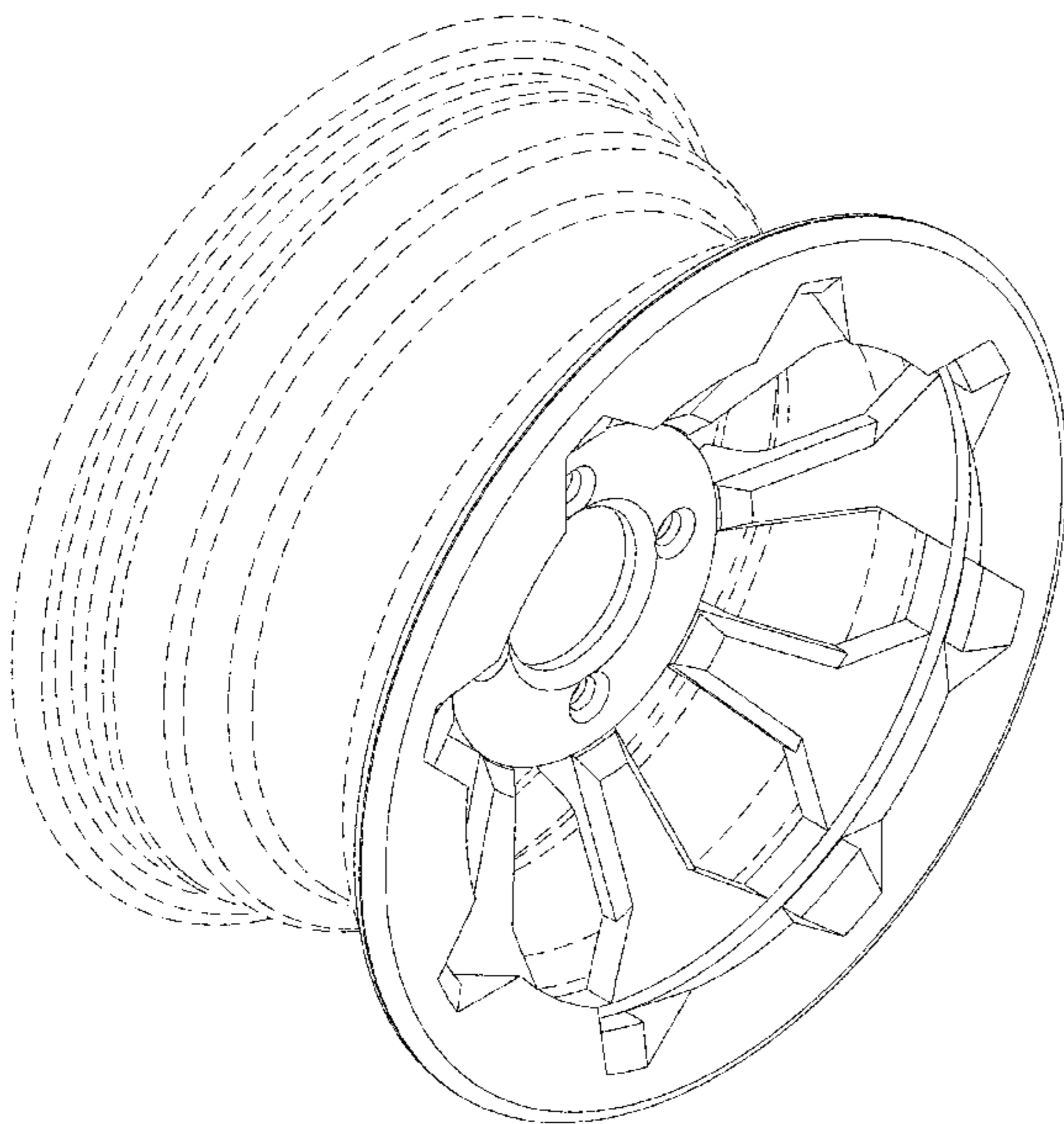
DESCRIPTION

FIG. 1 is a perspective view of a wheel, showing my new design; and,

FIG. 2 is a front view thereof.

The broken line showing of the rear portion of the wheel is included for the purpose of illustrating environment and forms no part of the claimed design.

1 Claim, 2 Drawing Sheets



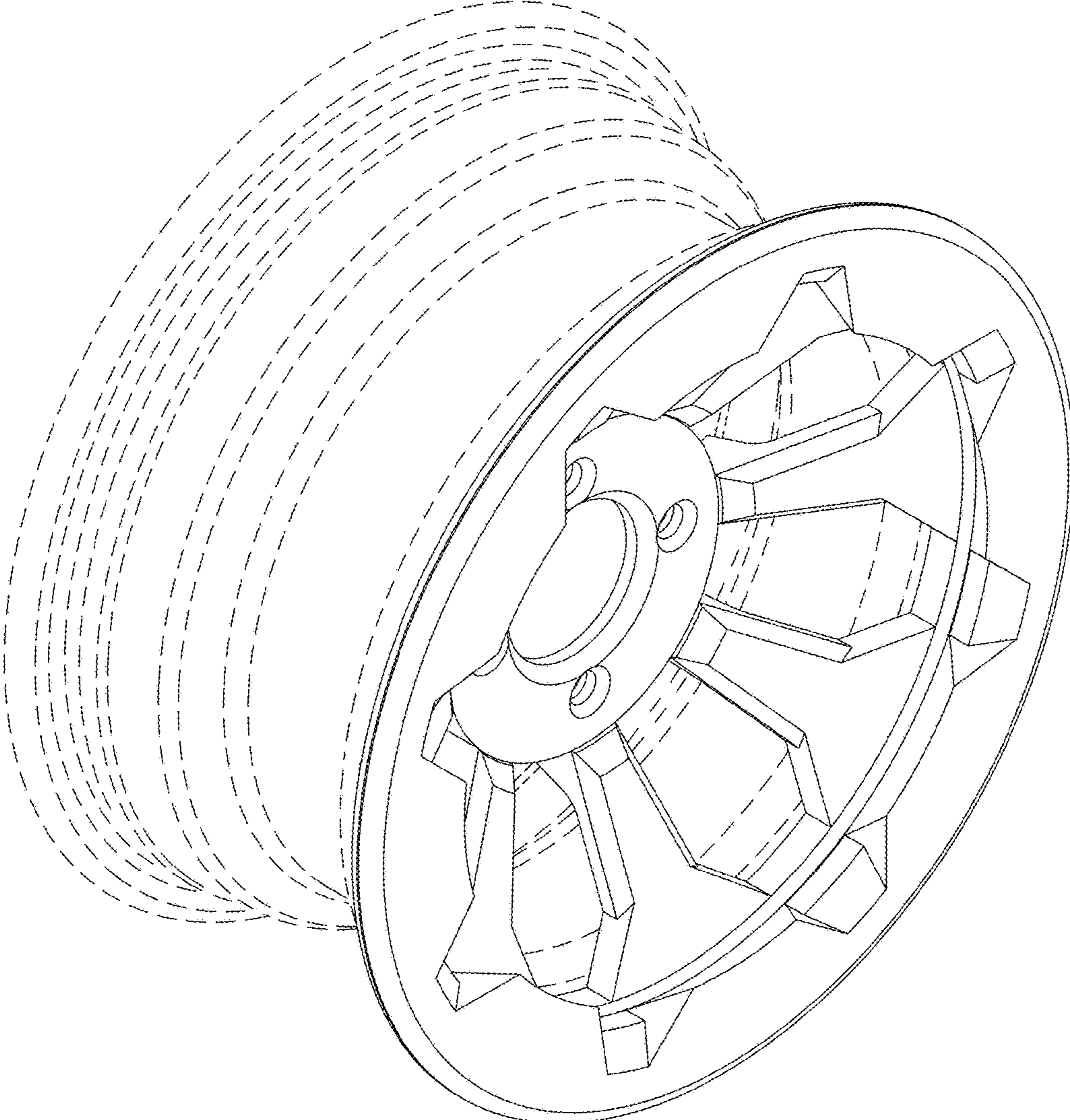


FIG. 1

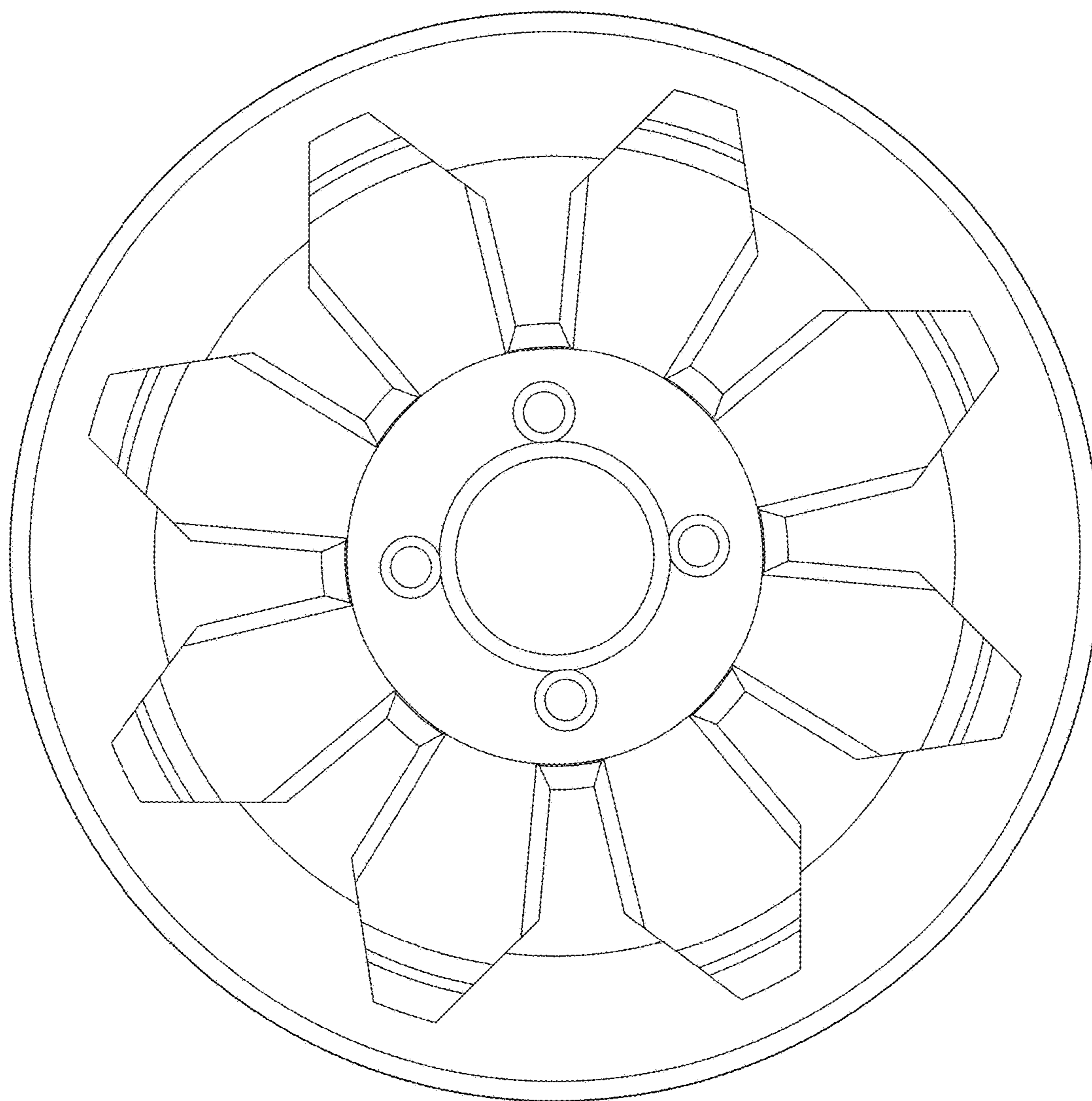


FIG. 2