



US00D808876S

(12) **United States Design Patent**
Caldwell

(10) **Patent No.:** **US D808,876 S**

(45) **Date of Patent:** **** Jan. 30, 2018**

(54) **WHEEL**

(71) Applicant: **Wheel Pros, LLC**, Greenwood Village, CO (US)

(72) Inventor: **Robert Caldwell**, Grand Junction, CO (US)

(**) Term: **15 Years**

(21) Appl. No.: **29/579,966**

(22) Filed: **Oct. 4, 2016**

(51) **LOC (11) Cl.** **12-16**

(52) **U.S. Cl.**
USPC **D12/204**

(58) **Field of Classification Search**
USPC D12/204–213
CPC B60B 7/00; B60B 7/02; B60B 7/04; B60B 7/01; B60B 7/06; B60B 3/02; B60B 3/04; B60B 3/06; B60B 3/10; B60B 1/00; B60B 1/08; B60B 1/10; B60B 1/12
See application file for complete search history.

| | | | |
|--------------|---------|-------------|---------|
| D455,698 S | 4/2002 | Chung | |
| D456,332 S | 4/2002 | Vian | |
| D467,212 S | 12/2002 | Noriega | |
| D478,542 S | 8/2003 | Sulahian | |
| D482,996 S | 12/2003 | Sulahian | |
| D489,666 S * | 5/2004 | Foose | D12/209 |
| D492,925 S | 7/2004 | Fitzgerald | |
| D496,317 S | 9/2004 | Kataoka | |
| D499,684 S | 12/2004 | Cheng | |
| D504,375 S * | 4/2005 | Hussaini | D12/204 |
| D504,859 S | 5/2005 | Sulahian | |
| D519,433 S | 4/2006 | Finn | |
| D550,600 S | 9/2007 | Celik | |
| D576,093 S | 9/2008 | Chung | |
| D582,827 S | 12/2008 | Musser | |
| D612,316 S | 3/2010 | Sanschagrin | |
| D617,246 S * | 6/2010 | Zhao | D12/209 |
| D680,484 S * | 4/2013 | Zhao | D12/209 |
| D680,938 S | 4/2013 | Hale | |
| D698,298 S | 1/2014 | Cortes | |
| D699,659 S * | 2/2014 | Zhao | D12/209 |
| D711,304 S | 8/2014 | Chung | |
| D715,211 S | 10/2014 | Gotschke | |

* cited by examiner

Primary Examiner — George D. Kirschbaum

Assistant Examiner — Joseph J Kukella

(74) *Attorney, Agent, or Firm* — Eric Hanscom

(56) **References Cited**

U.S. PATENT DOCUMENTS

| | | | |
|--------------|---------|------------|---------|
| D194,100 S * | 11/1962 | Mashigan | D12/211 |
| D261,879 S * | 11/1981 | Envall | D12/211 |
| D273,102 S | 3/1984 | Woodward | |
| D291,796 S | 9/1987 | Reid | |
| D323,806 S * | 2/1992 | Stewart | D12/209 |
| D343,606 S * | 1/1994 | Chung-Li | D12/209 |
| D361,975 S | 9/1995 | Weld | |
| D369,775 S * | 5/1996 | Choi | D12/204 |
| D389,795 S * | 1/1998 | Coddington | D12/209 |
| D399,181 S * | 10/1998 | McMath | D12/211 |
| D408,775 S | 4/1999 | Shikado | |

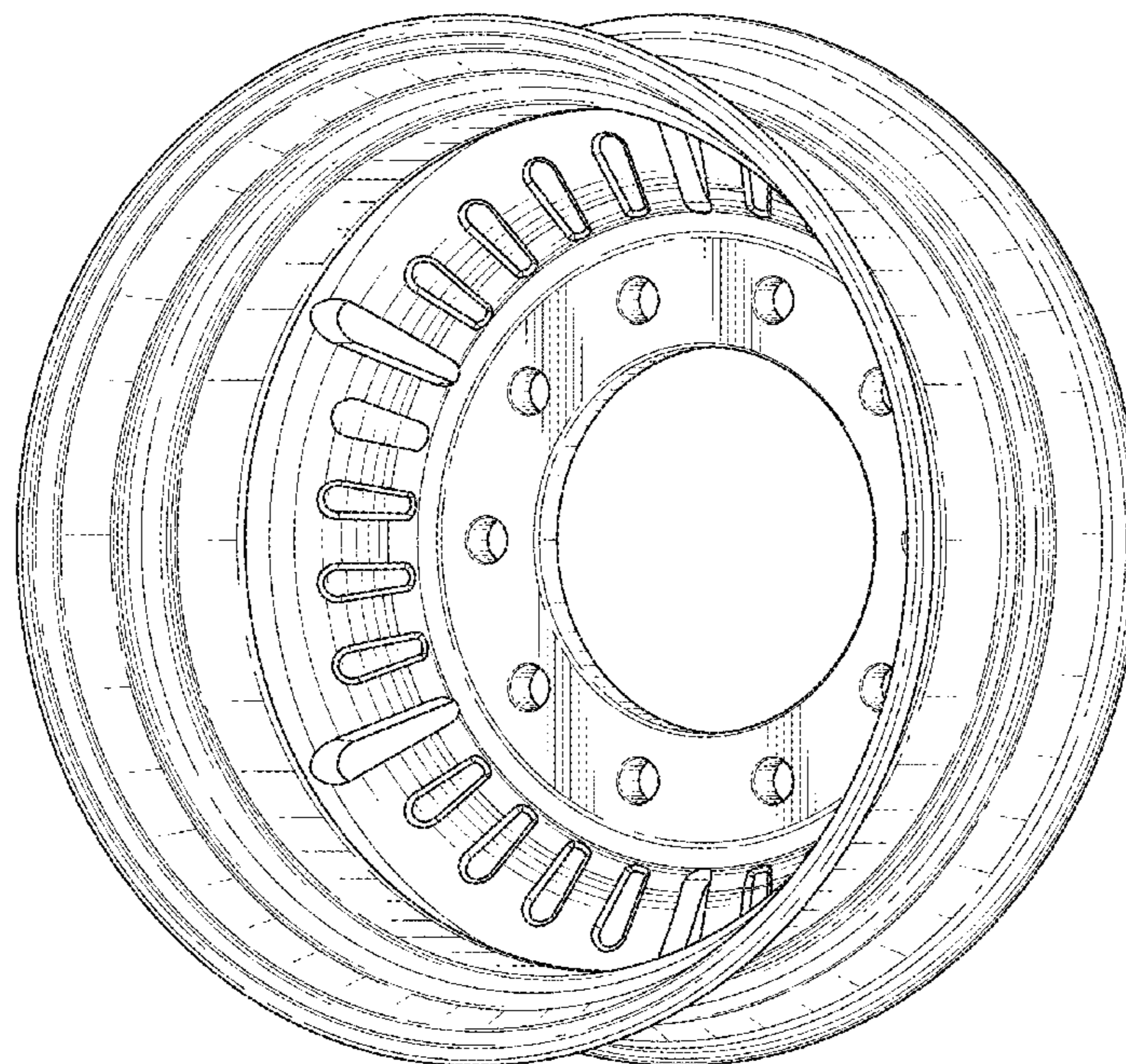
(57) **CLAIM**

The ornamental design for a wheel, as shown and described.

DESCRIPTION

FIG. 1 is a perspective view of a wheel showing my new design;
FIG. 2 is a front view thereof; and,
FIG. 3 is a left-side view thereof.

1 Claim, 3 Drawing Sheets



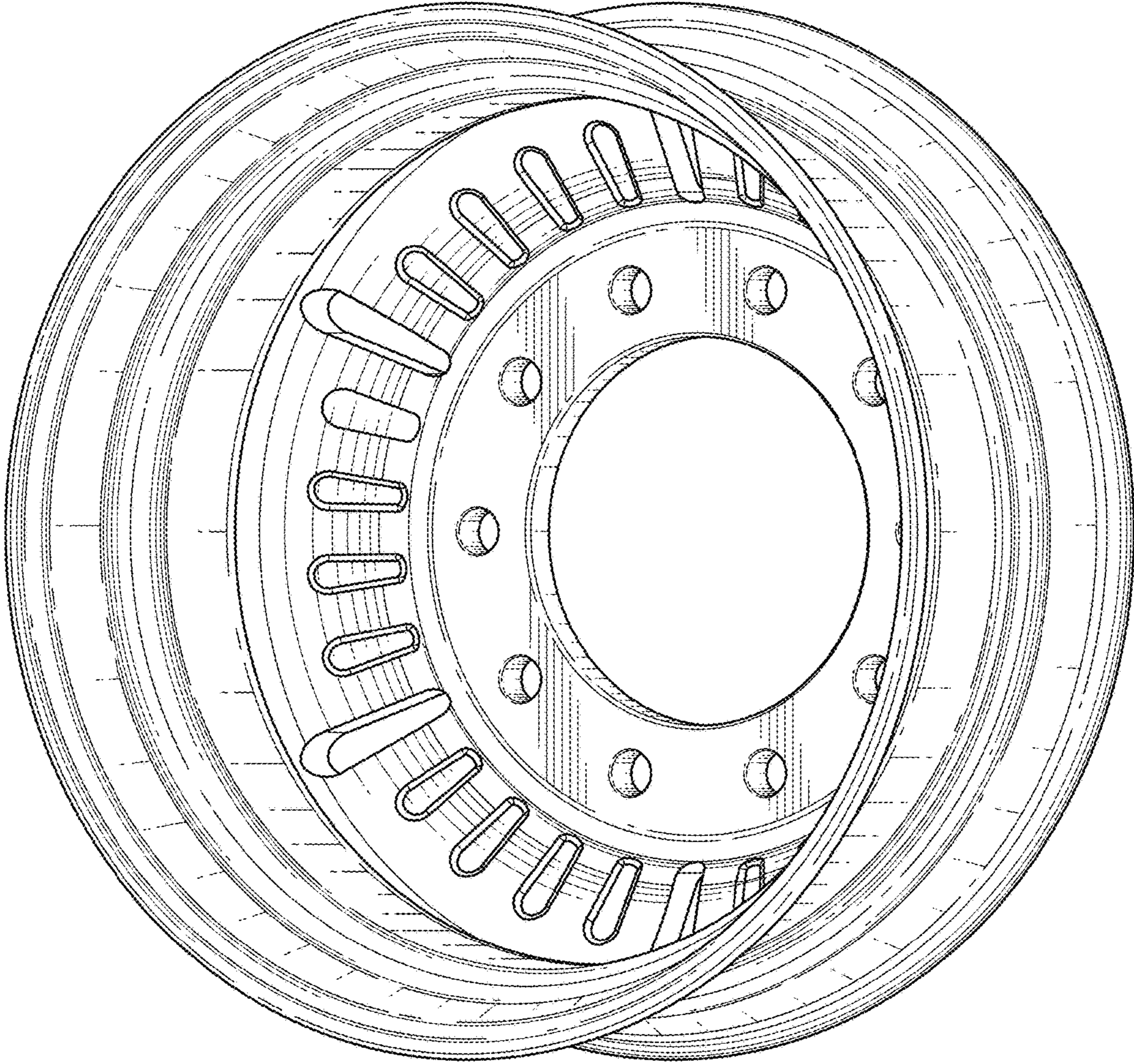


FIG. 1

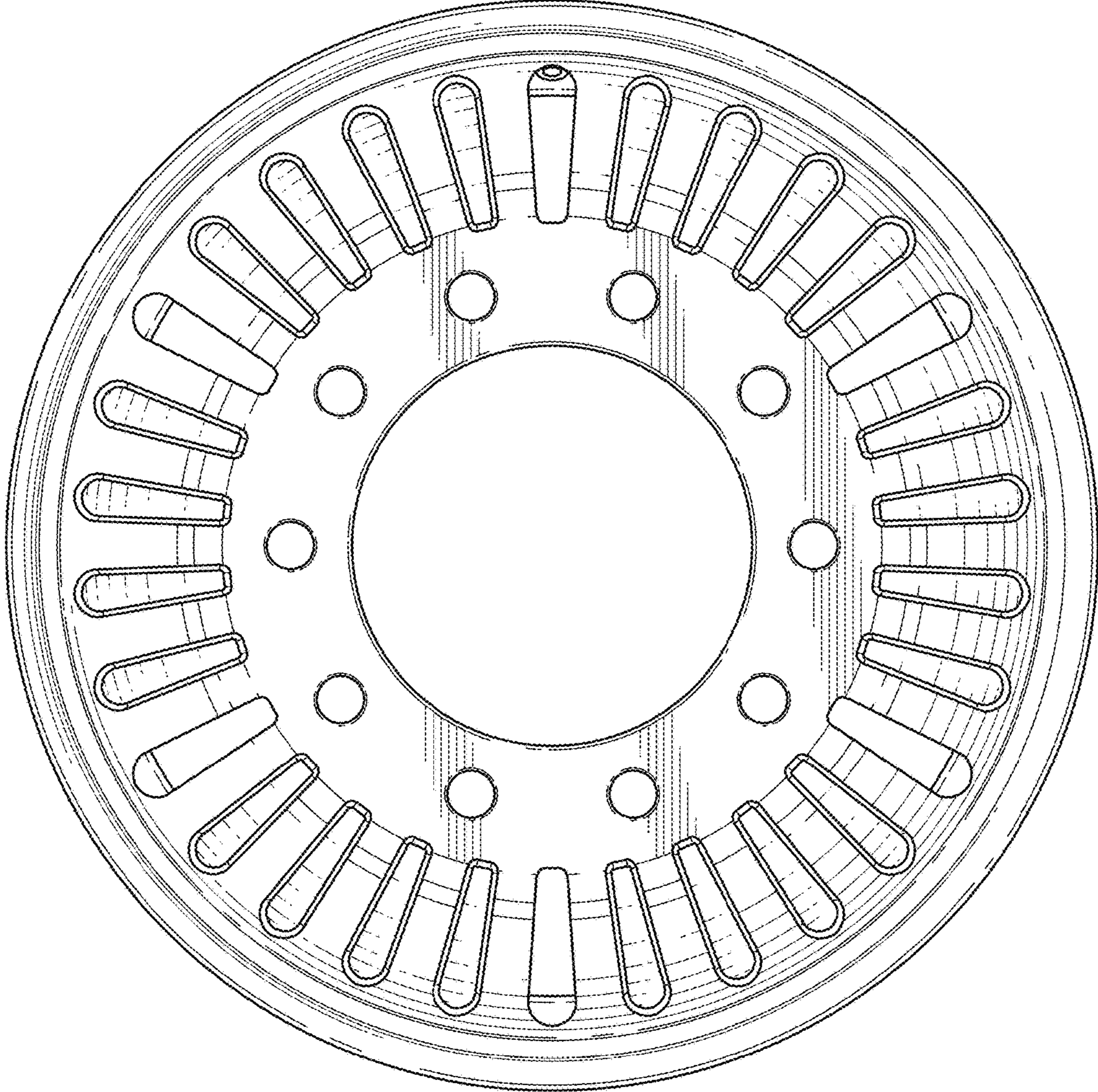


FIG. 2

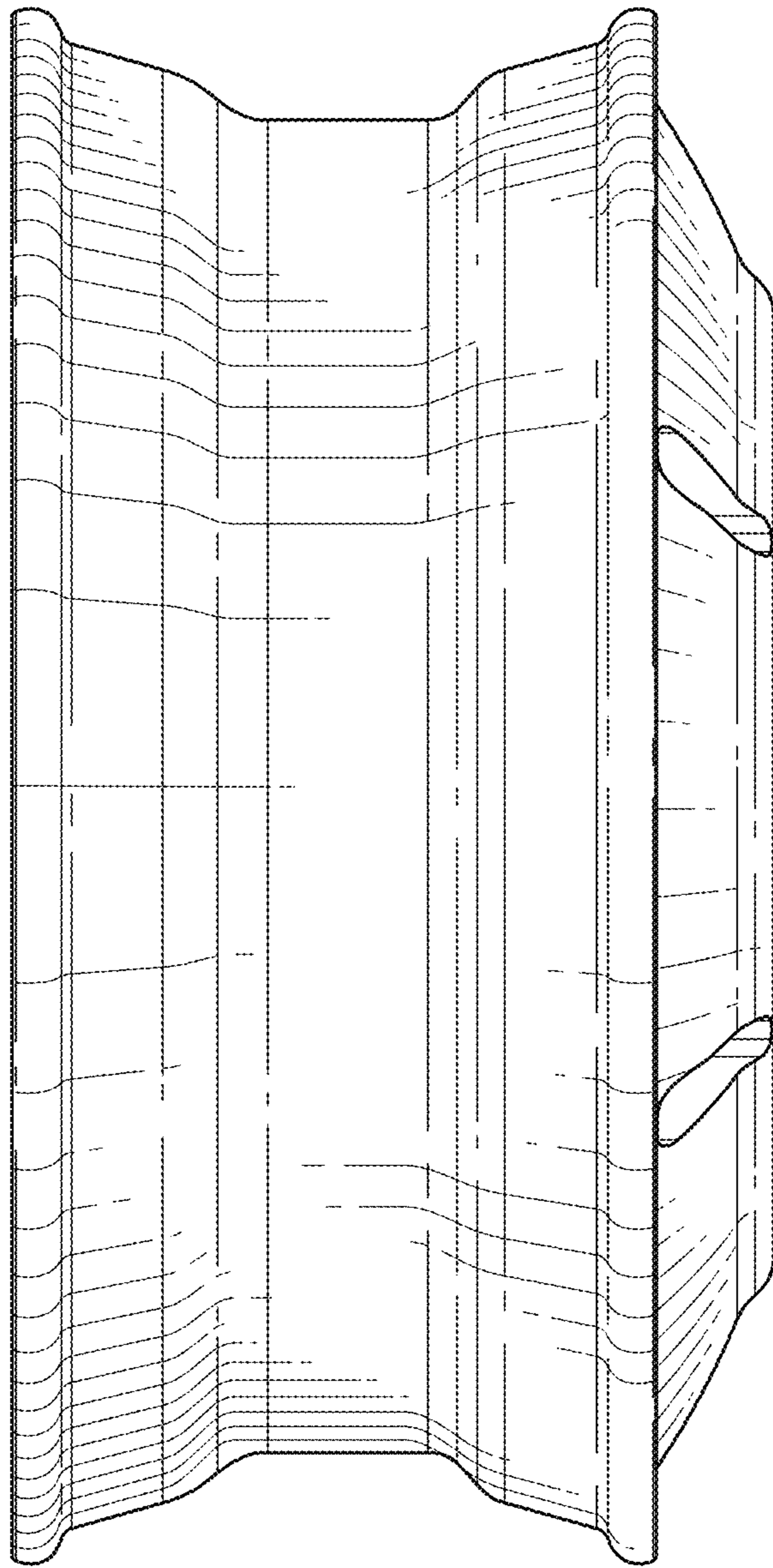


FIG. 3