



US00D808872S

(12) **United States Design Patent**
Cecur et al.

(10) **Patent No.:** **US D808,872 S**
(45) **Date of Patent:** **** Jan. 30, 2018**

- (54) **ROCKER ARM FOR ENGINE BRAKE**
- (71) Applicant: **Eaton Corporation**, Cleveland, OH (US)
- (72) Inventors: **Majo Cecur**, Rivarolo Canavese (IT);
Nicola Andrisani, Cumiana (IT);
Marco Alessandria, Trana (IT)
- (73) Assignee: **Eaton S.r.L.**, Turin (IT)
- (**) Term: **15 Years**
- (21) Appl. No.: **29/539,216**
- (22) Filed: **Sep. 11, 2015**
- (51) **LOC (11) Cl.** **12-16**
- (52) **U.S. Cl.**
USPC **D12/180**
- (58) **Field of Classification Search**
USPC D12/107, 110, 114, 115, 117, 126, 160,
D12/174, 177, 180, 189, 223, 400, 401,
D12/404, 408, 415, 420, 423; D25/48.1,
D25/48.3
CPC . B60R 1/025; B60R 1/08; B62H 5/001; B62J
9/006; B65D 43/16; B65D 43/22; B65D
55/02; F16D 55/22; F16D 55/226; F16D
55/2262; F16D 65/14; F16D 65/16; F16D
65/18; F16D 65/22; F16D 65/38; F16D
65/56; F16D 65/567; F16D 66/02; F21S
48/00; G01S 13/931
See application file for complete search history.

- (56) **References Cited**
U.S. PATENT DOCUMENTS
2,379,796 A * 7/1945 Freeman F16D 65/60
188/196 BA
4,337,851 A * 7/1982 Pringle F16D 65/09
188/206 A
4,727,832 A 3/1988 Miyamura et al.

- 4,776,438 A * 10/1988 Schandelmeier F16D 66/02
116/208
- 4,880,085 A * 11/1989 Taylor F16D 65/22
188/196 V
- 5,069,315 A * 12/1991 VanWeelden F16D 65/42
188/382

(Continued)

OTHER PUBLICATIONS

Rocker Arms Manufacturer from India, image post date 1996, site visited Jun. 26, 2017, (online), <<https://dir.indiamart.com/impcat/rocker-arms.html?biz=10>>.*

(Continued)

Primary Examiner — Kevin Rudzinski
Assistant Examiner — Sean D Lough
(74) *Attorney, Agent, or Firm* — RMCK Law Group PLC

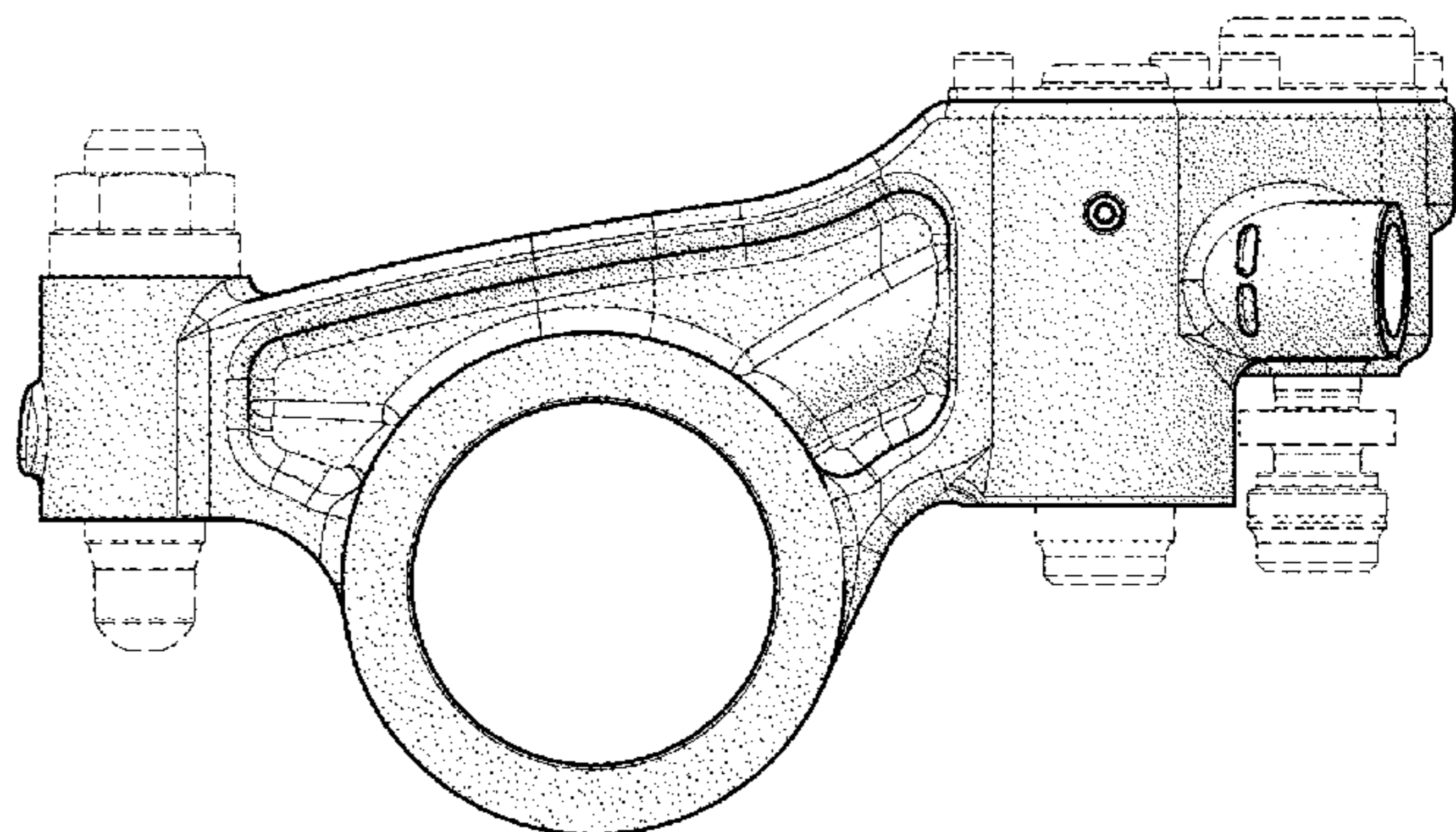
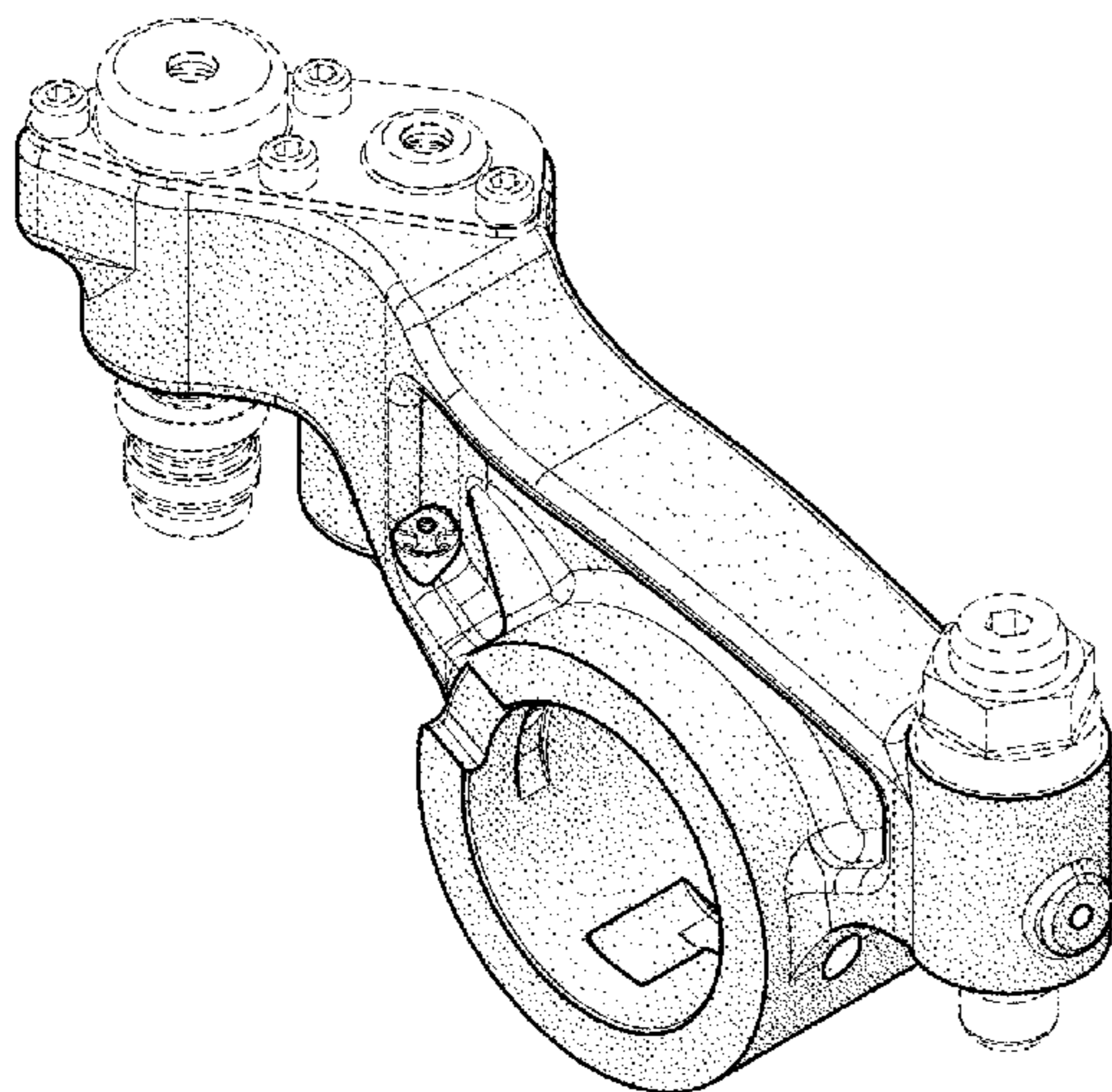
(57) **CLAIM**

The ornamental design for a rocker arm for engine brake, as shown and described.

DESCRIPTION

FIG. 1 is a perspective view of a rocker arm for engine brake showing the new design.
 FIG. 2 is a first side view of the rocker arm for engine brake of FIG. 1.
 FIG. 3 is a second side view of the rocker arm for engine brake of FIG. 1.
 FIG. 4 is a front view of the rocker arm for engine brake of FIG. 1.
 FIG. 5 is a rear view of the rocker arm for engine brake of FIG. 1.
 FIG. 6 is a top view of the rocker arm for engine brake of FIG. 1; and,
 FIG. 7 is a bottom view of the rocker arm for engine brake of FIG. 1.
 Any portion of the rocker arm for engine brake shown in broken lines is for the purpose of illustrating environmental structure and forms no part of the claimed design.

1 Claim, 3 Drawing Sheets



(56)

References Cited

U.S. PATENT DOCUMENTS

D374,205 S * 10/1996 Levinkron D12/179
 5,676,098 A * 10/1997 Ceur F01L 1/143
 123/90.33
 D391,824 S * 3/1998 Larson D8/303
 5,865,159 A 2/1999 Henrikson
 5,964,325 A * 10/1999 Davison F16C 23/045
 188/330
 6,062,349 A * 5/2000 Boisseau F16D 55/22655
 188/370
 6,105,730 A * 8/2000 Ekeroth F16D 65/60
 188/1.11 L
 6,178,946 B1 1/2001 Matthews et al.
 6,196,362 B1 * 3/2001 Daugherty, Jr. B61H 15/00
 188/197
 6,234,143 B1 5/2001 Bartel et al.
 6,250,438 B1 * 6/2001 Chern B62L 1/00
 188/72.3
 6,253,730 B1 7/2001 Gustafson
 6,305,509 B1 * 10/2001 Concialdi F16D 55/22
 188/205 R
 6,390,244 B1 * 5/2002 Sitter F16D 66/00
 188/1.11 W
 6,474,296 B2 11/2002 Cornell et al.
 D478,965 S * 8/2003 Ferrer Beltran D23/209
 6,732,686 B1 5/2004 Maeda et al.
 7,032,717 B2 * 4/2006 Gripemark F16D 65/847
 188/18 A
 RE39,258 E 9/2006 Cosma et al.
 D544,818 S * 6/2007 Costa D12/118
 D547,243 S * 7/2007 Matsumura D12/118
 D562,112 S * 2/2008 Harrell D8/354
 7,392,772 B2 7/2008 Janak et al.
 7,600,497 B2 10/2009 Vanderpoel
 D605,985 S * 12/2009 Pennala D12/160
 7,712,449 B1 5/2010 Schwoerer
 7,757,824 B2 * 7/2010 Echambadi F16D 65/60
 188/79.55
 7,823,553 B2 11/2010 Meistrick
 7,882,810 B2 2/2011 Vanderpoel et al.
 7,900,942 B2 * 3/2011 Koschinat B60G 7/001
 280/124.111
 8,230,831 B2 7/2012 Persson et al.
 8,251,188 B2 * 8/2012 Teper F16D 55/22655
 188/73.39
 8,528,508 B2 * 9/2013 Meistrick F01L 1/08
 123/90.16
 8,627,791 B2 1/2014 Janak et al.
 D701,445 S * 3/2014 Terpsma D8/331
 8,820,276 B2 9/2014 Vorih et al.

8,851,048 B2 10/2014 Meistrick
 8,863,726 B2 10/2014 Ruggiero et al.
 8,936,006 B2 1/2015 Grath et al.
 D725,793 S * 3/2015 Nosworthy D25/68
 8,991,341 B2 3/2015 Forestier
 9,016,249 B2 4/2015 Roberts et al.
 9,068,748 B2 6/2015 Hoke
 9,115,654 B2 8/2015 Schnell
 9,174,506 B2 * 11/2015 Drewes B60G 7/001
 D752,109 S * 3/2016 Harriton D15/5
 9,303,703 B2 * 4/2016 Banks F16D 65/28
 D761,077 S * 7/2016 Schweiss D8/323
 D761,084 S * 7/2016 Cox D8/354
 D770,343 S * 11/2016 Hult D12/180
 D770,344 S * 11/2016 Hult D12/180
 9,481,426 B2 * 11/2016 Kawata B62K 25/283
 2003/0106748 A1 * 6/2003 Bunker F16D 55/28
 188/72.6
 2003/0132891 A1 * 7/2003 Winter G01S 7/4026
 343/880
 2005/0150729 A1 * 7/2005 Baumgartner F16D 55/22
 188/72.9
 2008/0062038 A1 * 3/2008 Ouchi G01S 7/032
 342/175
 2009/0101457 A1 * 4/2009 Gonska B60B 23/10
 188/18 R
 2010/0319657 A1 * 12/2010 Dodi F01L 13/065
 123/321
 2013/0269652 A1 10/2013 Toth
 2013/0269653 A1 10/2013 Yang
 2013/0275018 A1 * 10/2013 Todd F16D 66/00
 701/70
 2014/0015214 A1 * 1/2014 Galazin B60G 9/003
 280/124.128
 2014/0020644 A1 1/2014 Roberts et al.
 2014/0020654 A1 1/2014 Yang
 2014/0245992 A1 9/2014 Groth et al.
 2015/0144096 A1 5/2015 Meneely et al.
 2015/0252845 A1 * 9/2015 Gustafson F16C 9/02
 384/368
 2016/0010710 A1 * 1/2016 Kuo F16D 65/0075
 188/72.8

OTHER PUBLICATIONS

Mitsubishi rocker arm shaft, image post date 1999, site visited Jun. 26, 2017, (online), <<https://www.alibaba.com/showroom/mitsubishi-rocker-arm-shaft.html>>.*
 Mercedes Benz A 1130500534 Rocker Arm, image post date 2002, site visited Jun. 26, 2017, (online), <<http://www.everythingbenz.com/z/part/1130500534-mercedes-rocker-arm>>.*

* cited by examiner

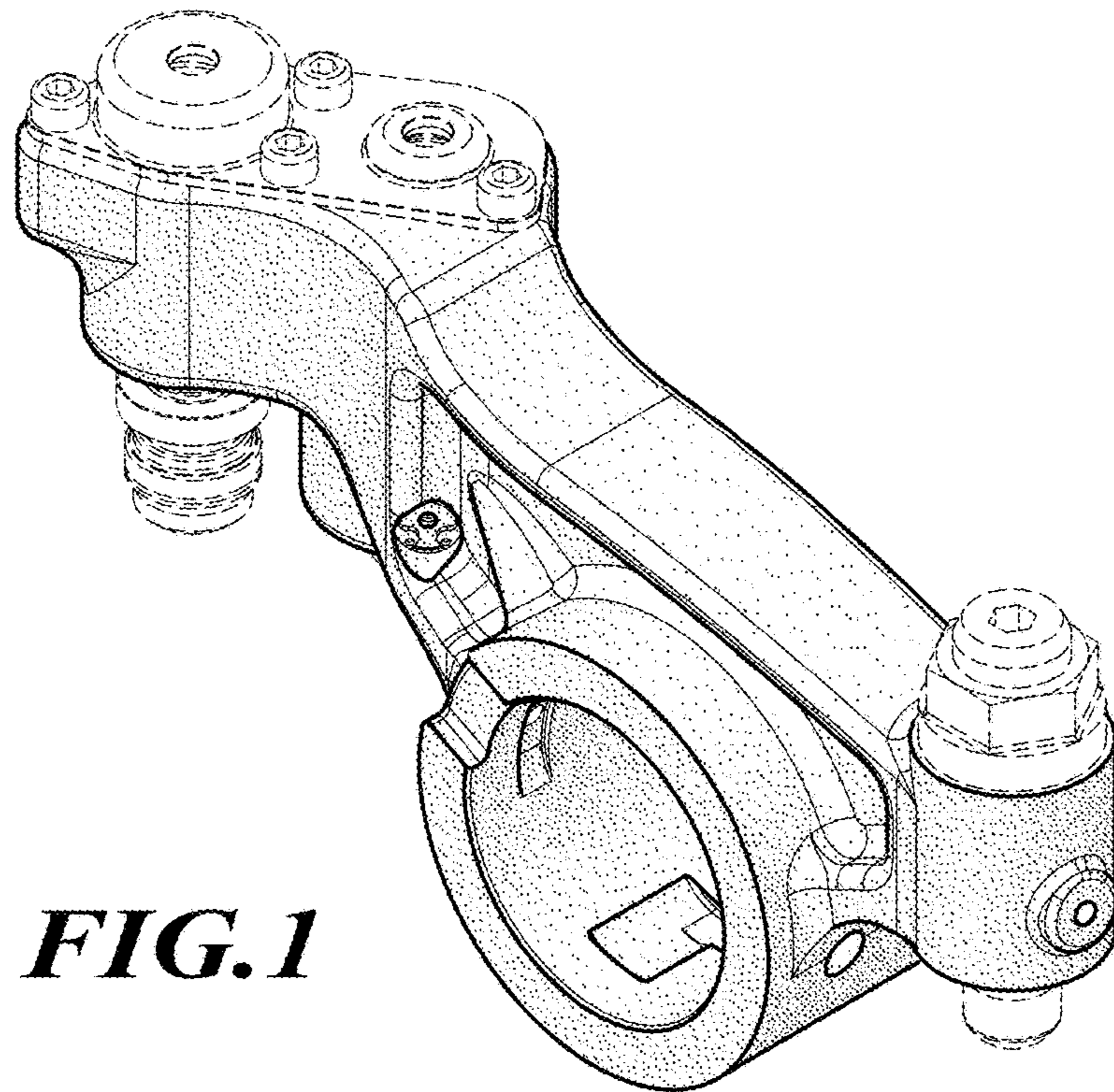


FIG. 1

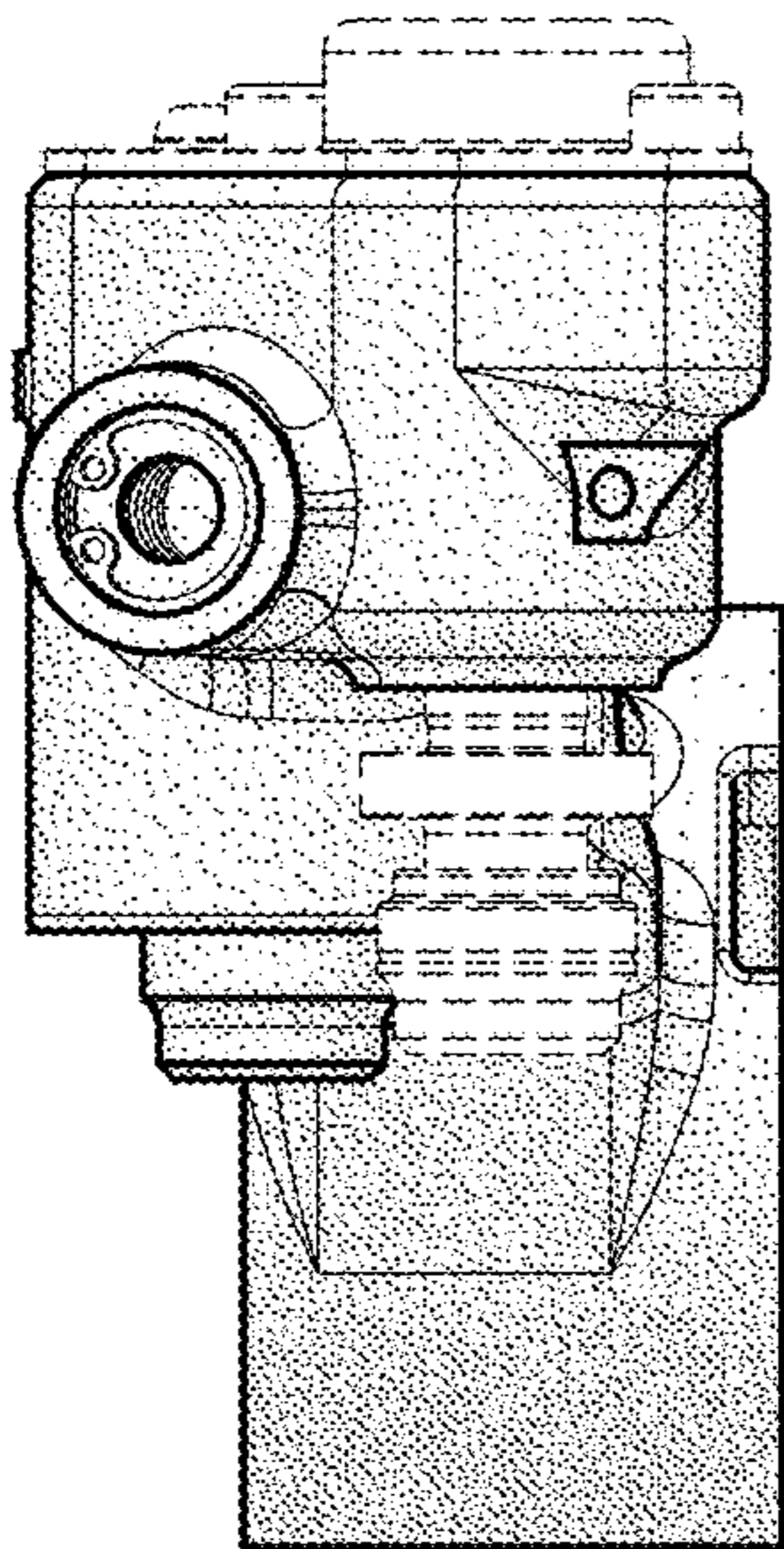


FIG. 2

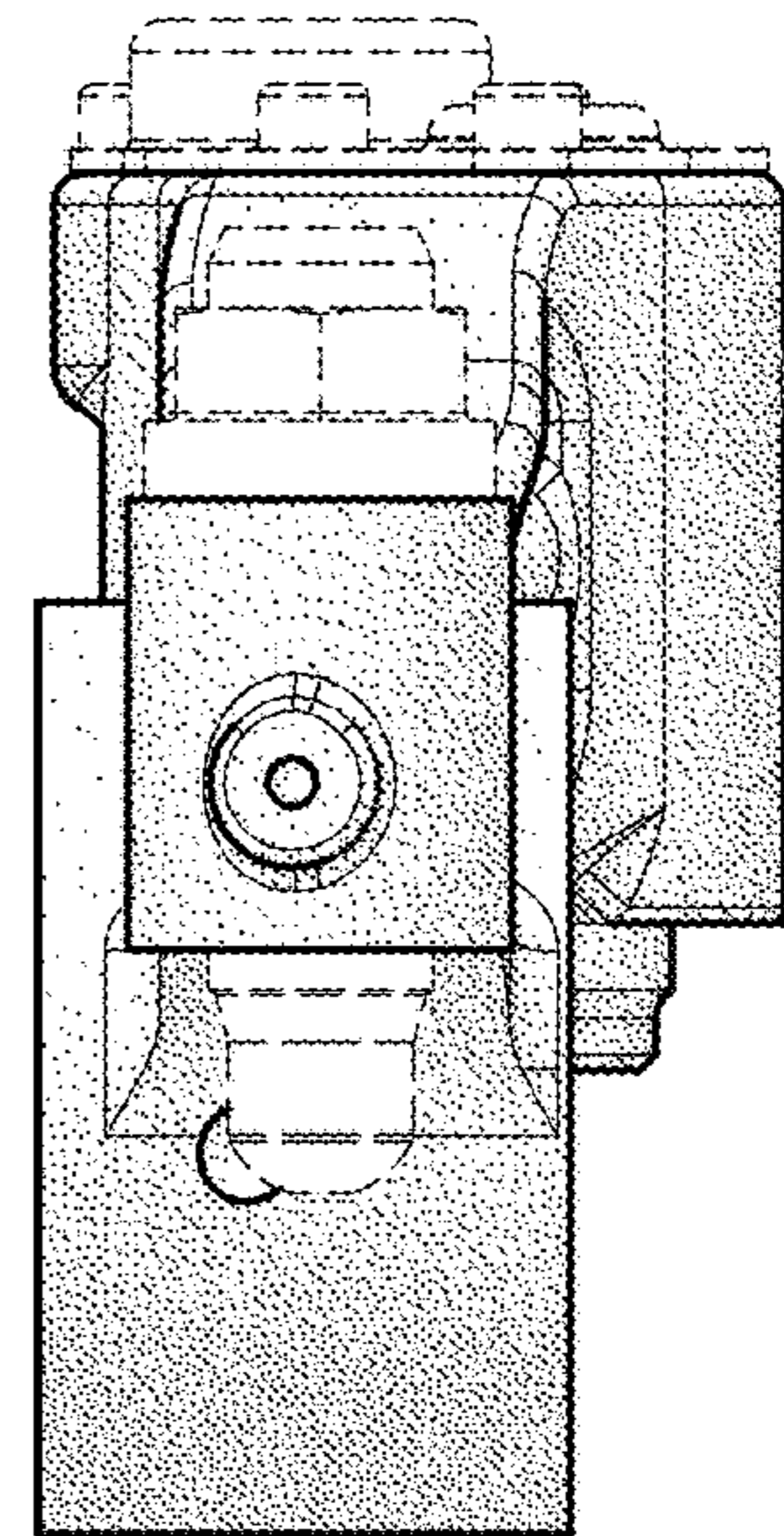


FIG. 3

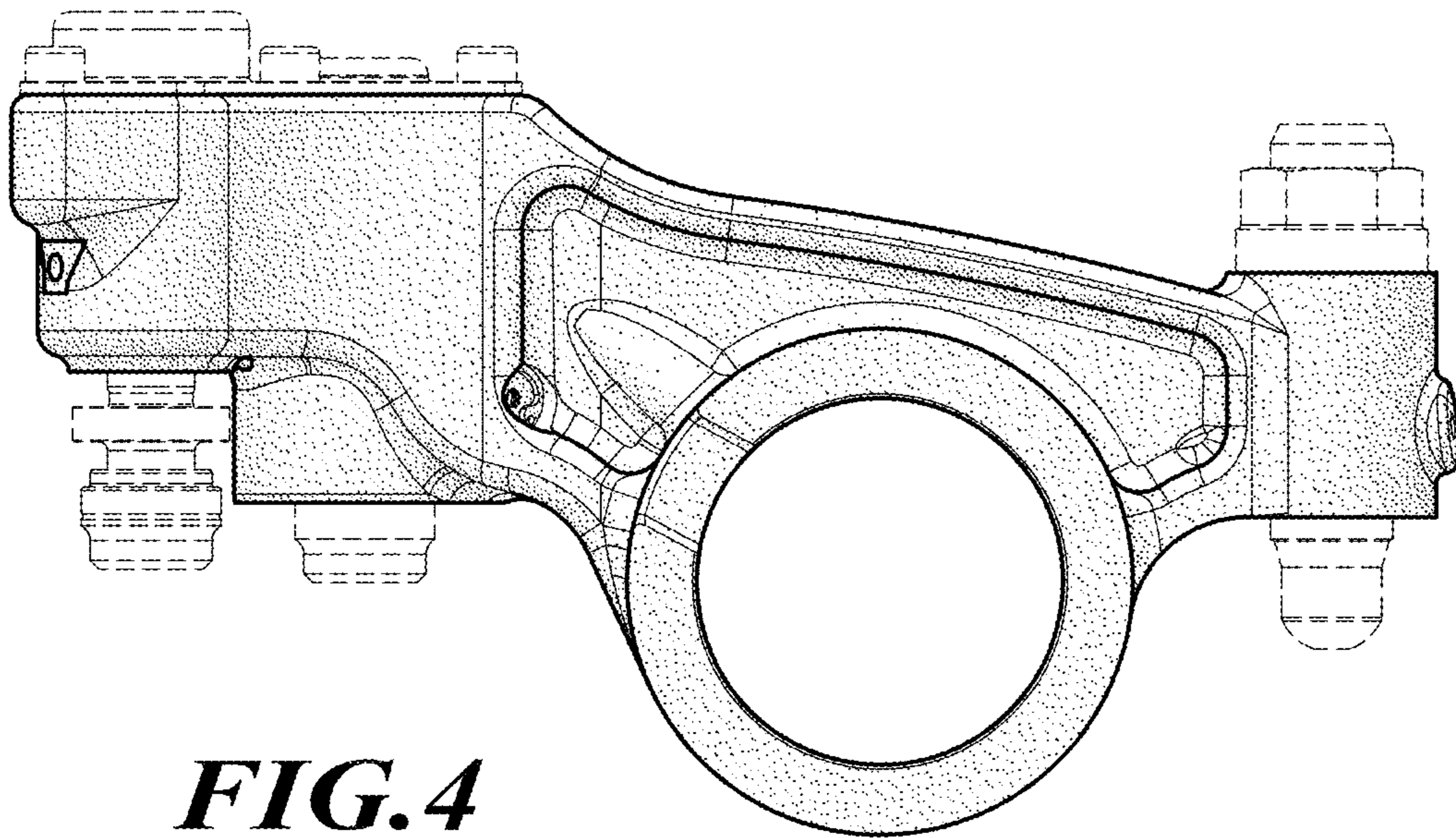


FIG. 4

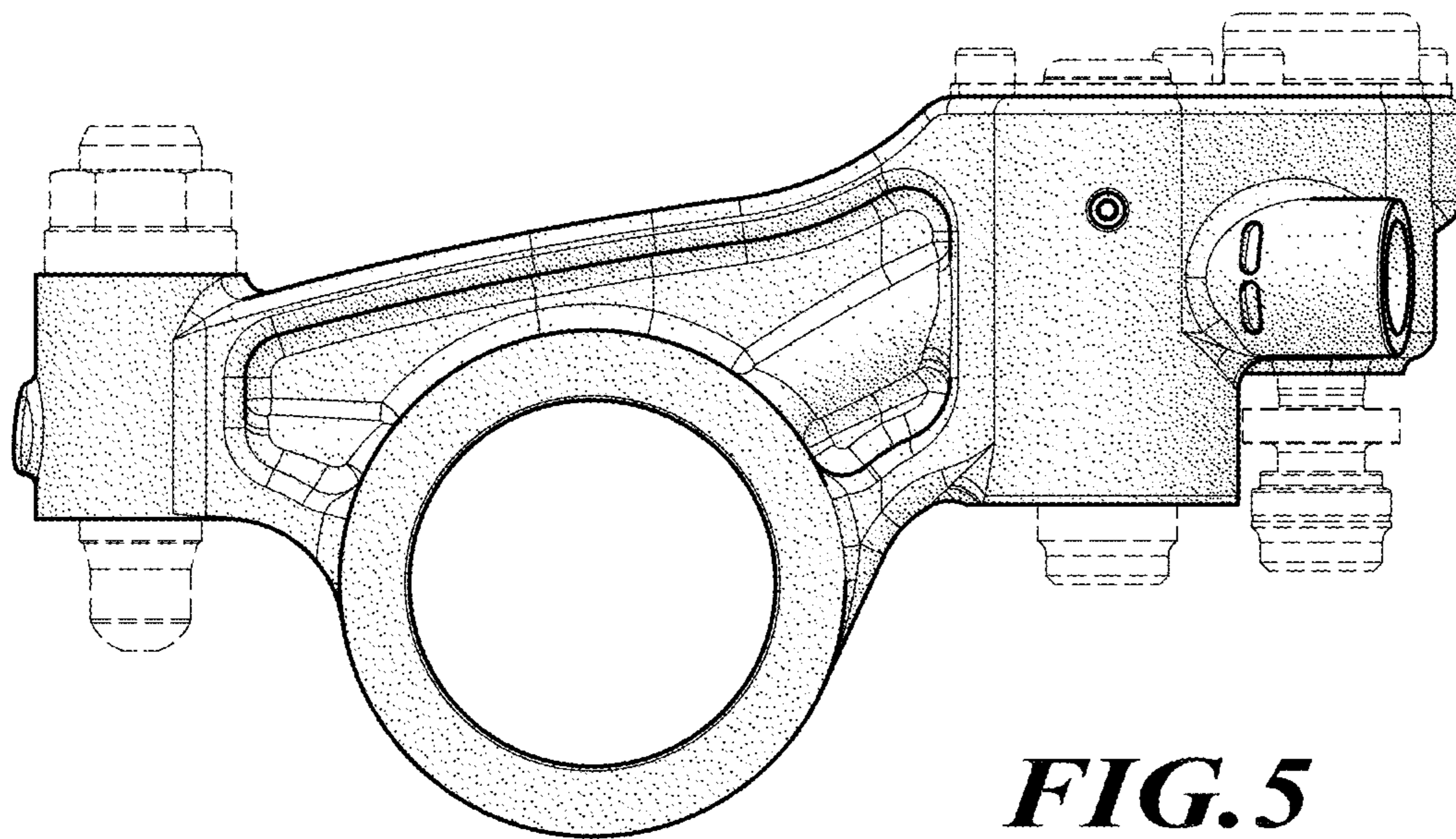


FIG. 5

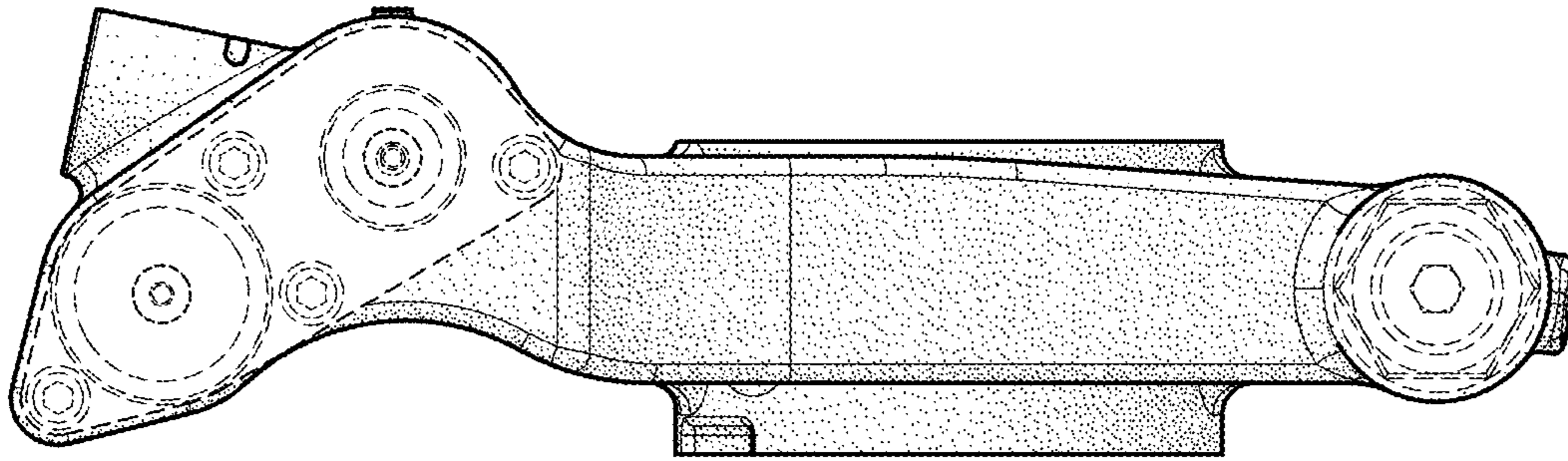


FIG. 6

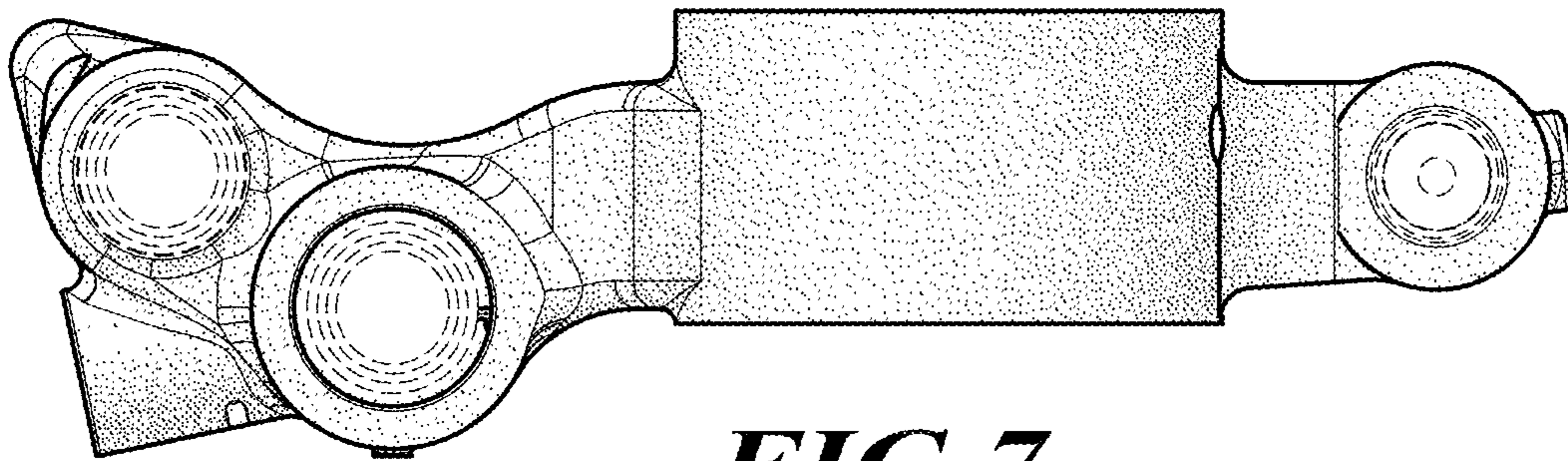


FIG. 7