



US00D808871S

(12) **United States Design Patent** (10) **Patent No.:** **US D808,871 S**
Peat (45) **Date of Patent:** **** Jan. 30, 2018**

- (54) **REAR BUMPER**
- (71) Applicant: **Jaguar Land Rover Limited**, Whitley, Coventry (GB)
- (72) Inventor: **Anthony Peat**, Coventry (GB)
- (73) Assignee: **Jaguar Land Rover Limited**, Whitley, Coventry (GB)
- (**) Term: **15 Years**
- (21) Appl. No.: **29/596,695**
- (22) Filed: **Mar. 10, 2017**

Related U.S. Application Data

- (62) Division of application No. 29/537,995, filed on Aug. 31, 2015, now Pat. No. Des. 784,865.

(30) **Foreign Application Priority Data**

Mar. 16, 2015 (EM) 002656330

- (51) **LOC (11) Cl.** **12-16**
- (52) **U.S. Cl.**

USPC **D12/169**

(58) **Field of Classification Search**

USPC D12/169, 216, 90-92, 86, 171, 196, 163;
293/102, 113, 115, 117, 120; 296/180.1,
296/180.2

CPC B60R 19/02; B60R 19/04; B62D 25/08
See application file for complete search history.

(56) **References Cited**

U.S. PATENT DOCUMENTS

- D708,995 S * 7/2014 Chen D12/169
- D712,802 S * 9/2014 Scheinhuetter D12/169
- D713,304 S * 9/2014 Tsuchida D12/169
- D713,766 S * 9/2014 Katou D12/169

- D721,306 S * 1/2015 George D12/169
- D721,625 S * 1/2015 George D12/169
- D725,009 S * 3/2015 Hirai D12/169
- D725,010 S * 3/2015 Takei D12/169
- D736,125 S * 8/2015 Kamiura D12/169
- D754,576 S * 4/2016 Nissl D12/169
- D769,161 S * 10/2016 Ishii D12/169
- D784,865 S * 4/2017 Peat D12/169

* cited by examiner

Primary Examiner — Melody N Brown

(74) *Attorney, Agent, or Firm* — Wood Herron & Evans LLP

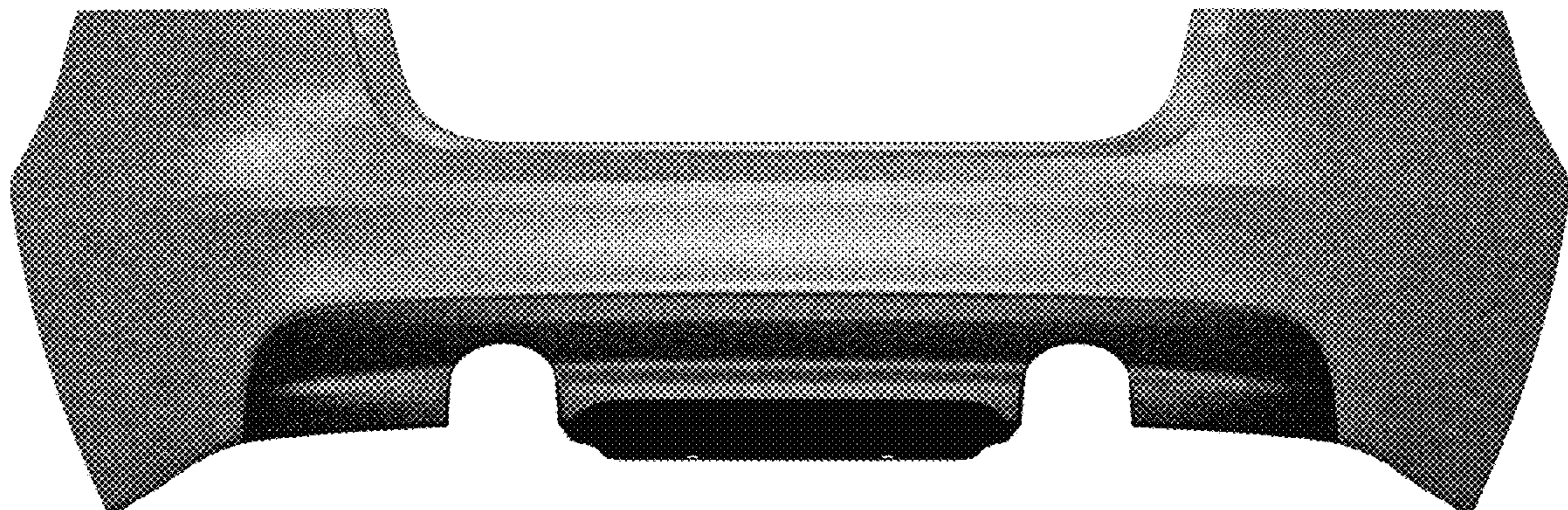
(57) **CLAIM**

The ornamental design for a rear bumper, as shown and described.

DESCRIPTION

FIG. 1 is a front and right side perspective view of a grille showing my new design;
 FIG. 2 is a rear and left side perspective view thereof;
 FIG. 3 is a front view thereof.
 FIG. 4 is a rear view thereof.
 FIG. 5 is a left side view thereof.
 FIG. 6 is a right side view thereof.
 FIG. 7 is a top view thereof; and,
 FIG. 8 is another front and right side perspective view of the rear bumper shown in FIG. 1, with the rear bumper mounted on a vehicle shown in de-emphasized and half-tone portions so as to illustrate environmental structures for the vehicle rear. These portions form no part of the claimed invention. More particularly, in FIG. 8, the rear bumper of the present invention is shown within the broken line, and any elements shown outside of the broken line form no part of the claimed invention, but are instead included to show environmental aspects of the claimed invention.

1 Claim, 7 Drawing Sheets



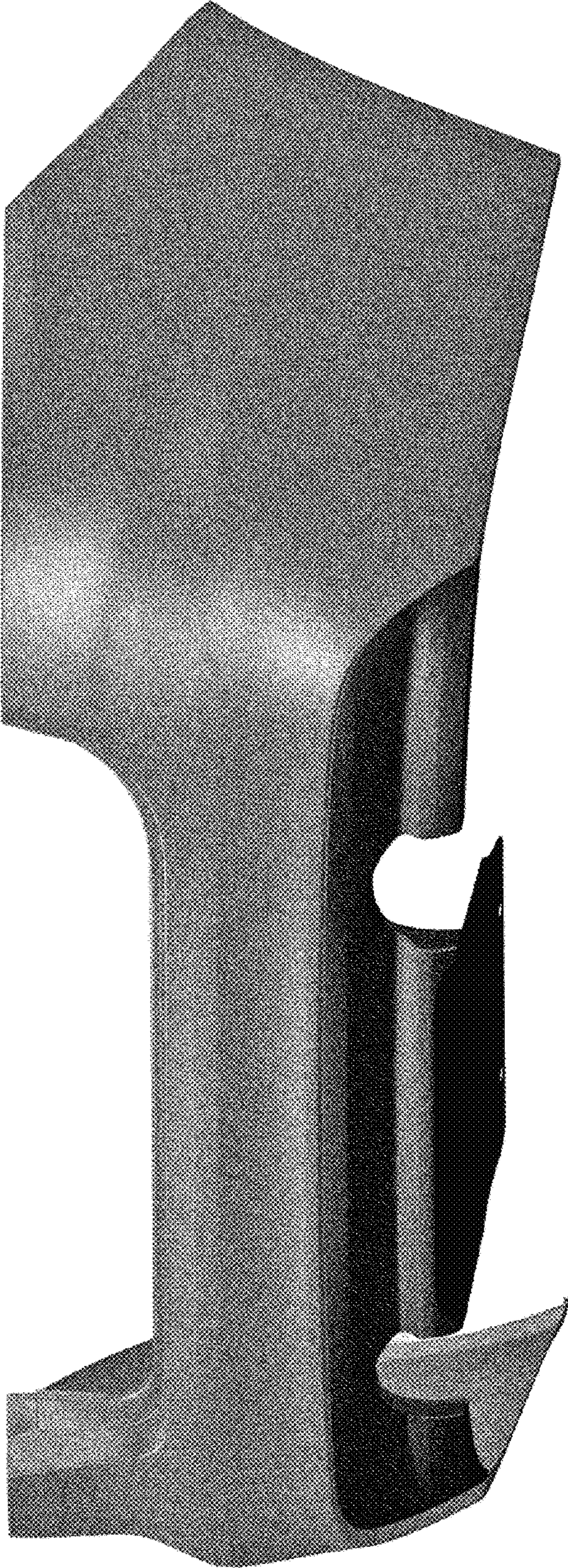


FIG. 1

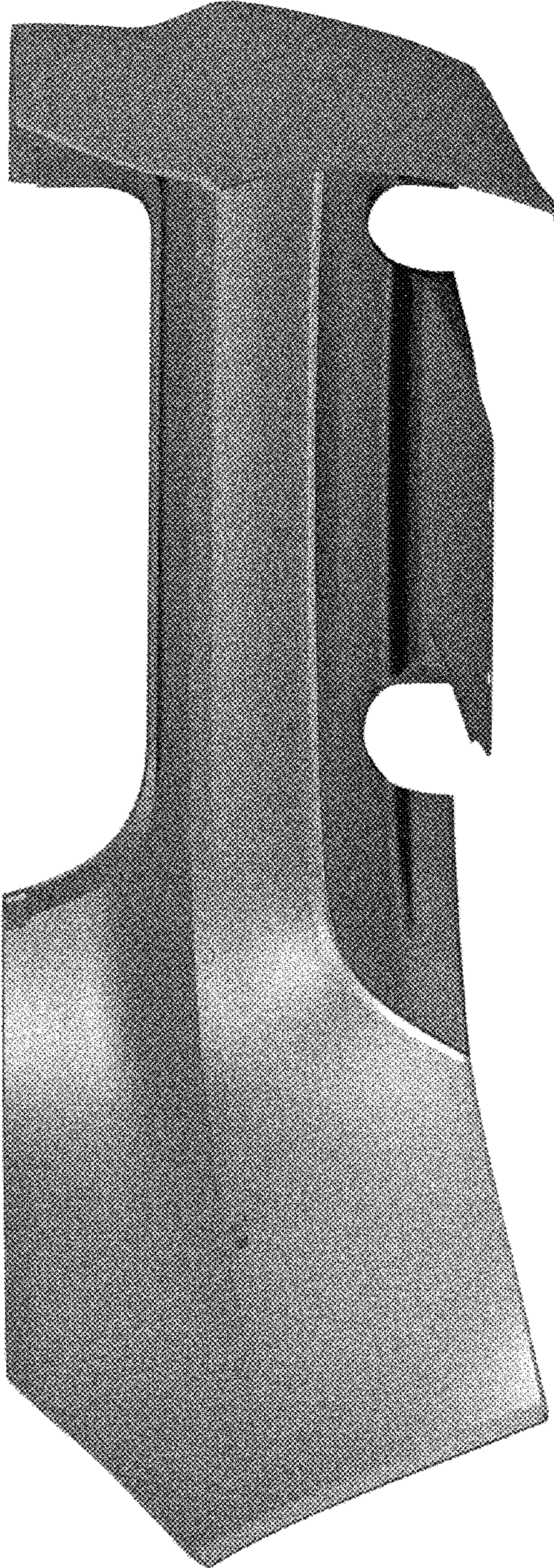


FIG. 2

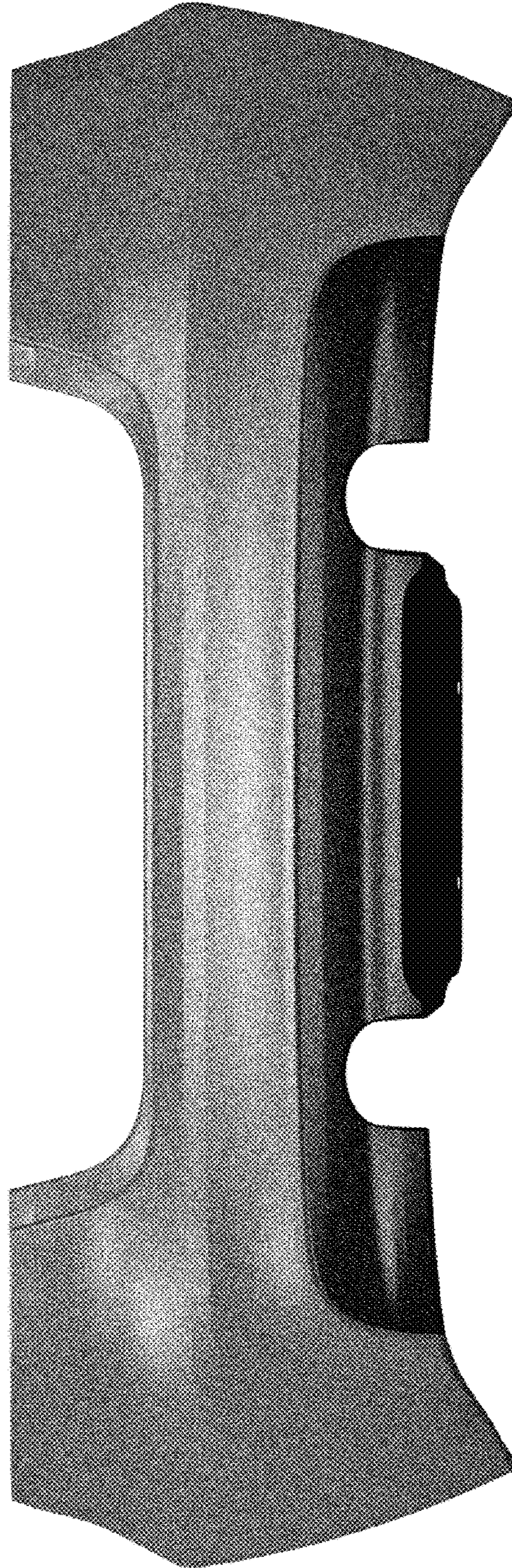


FIG. 3

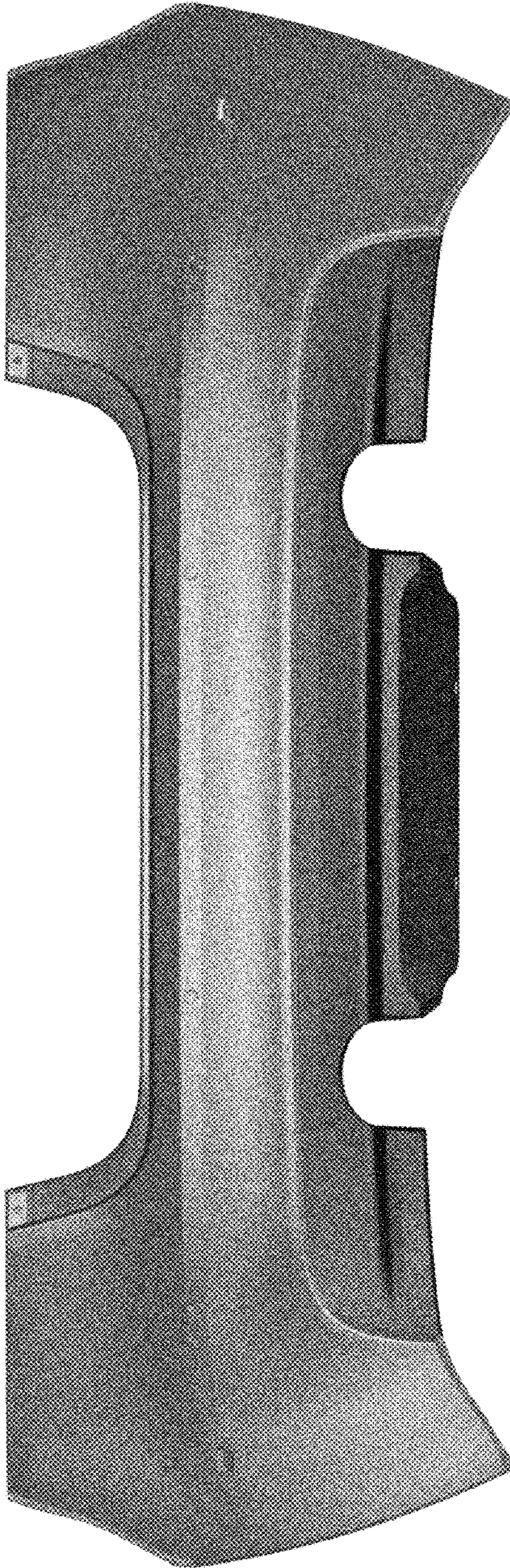


FIG. 4

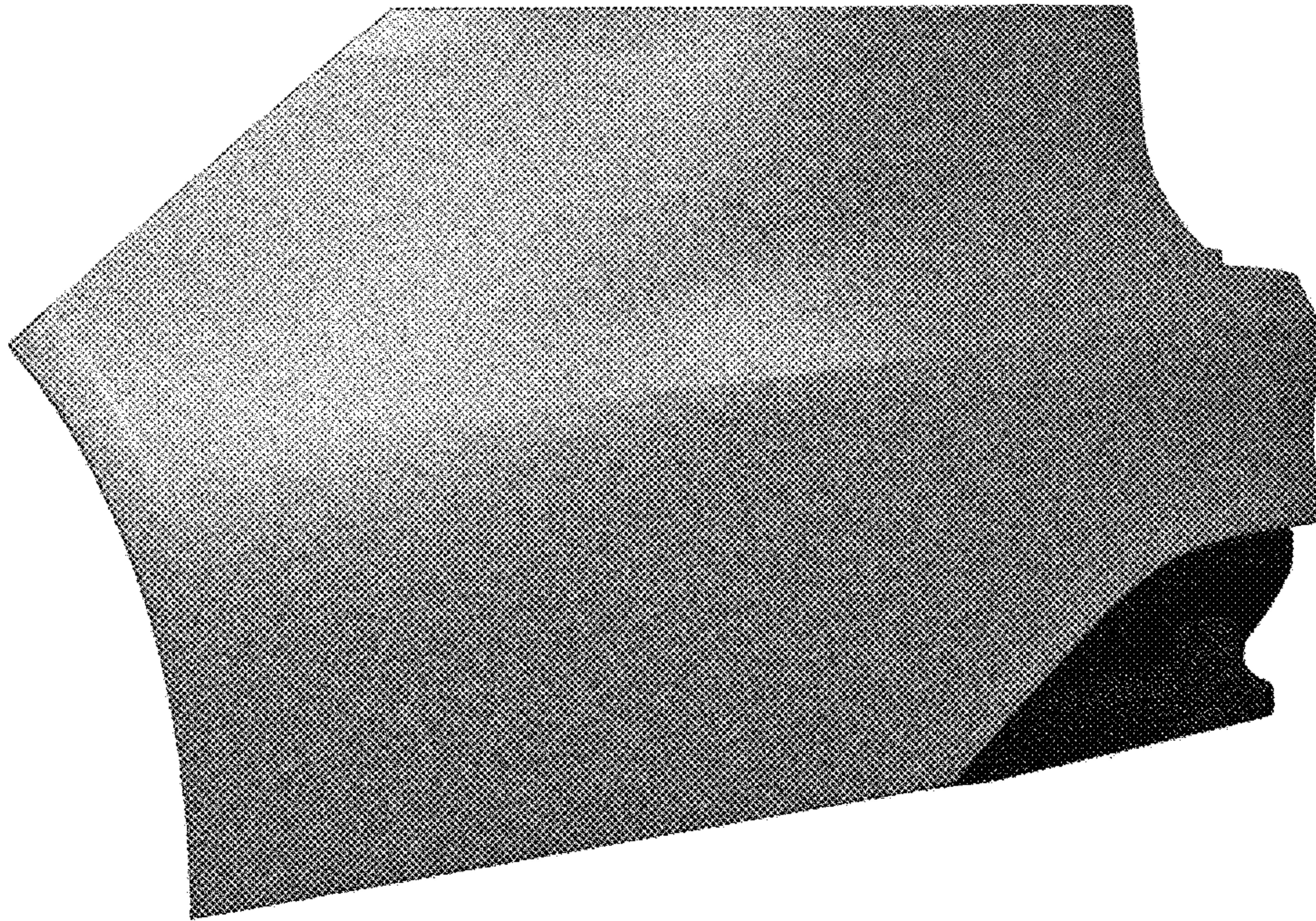


FIG. 5

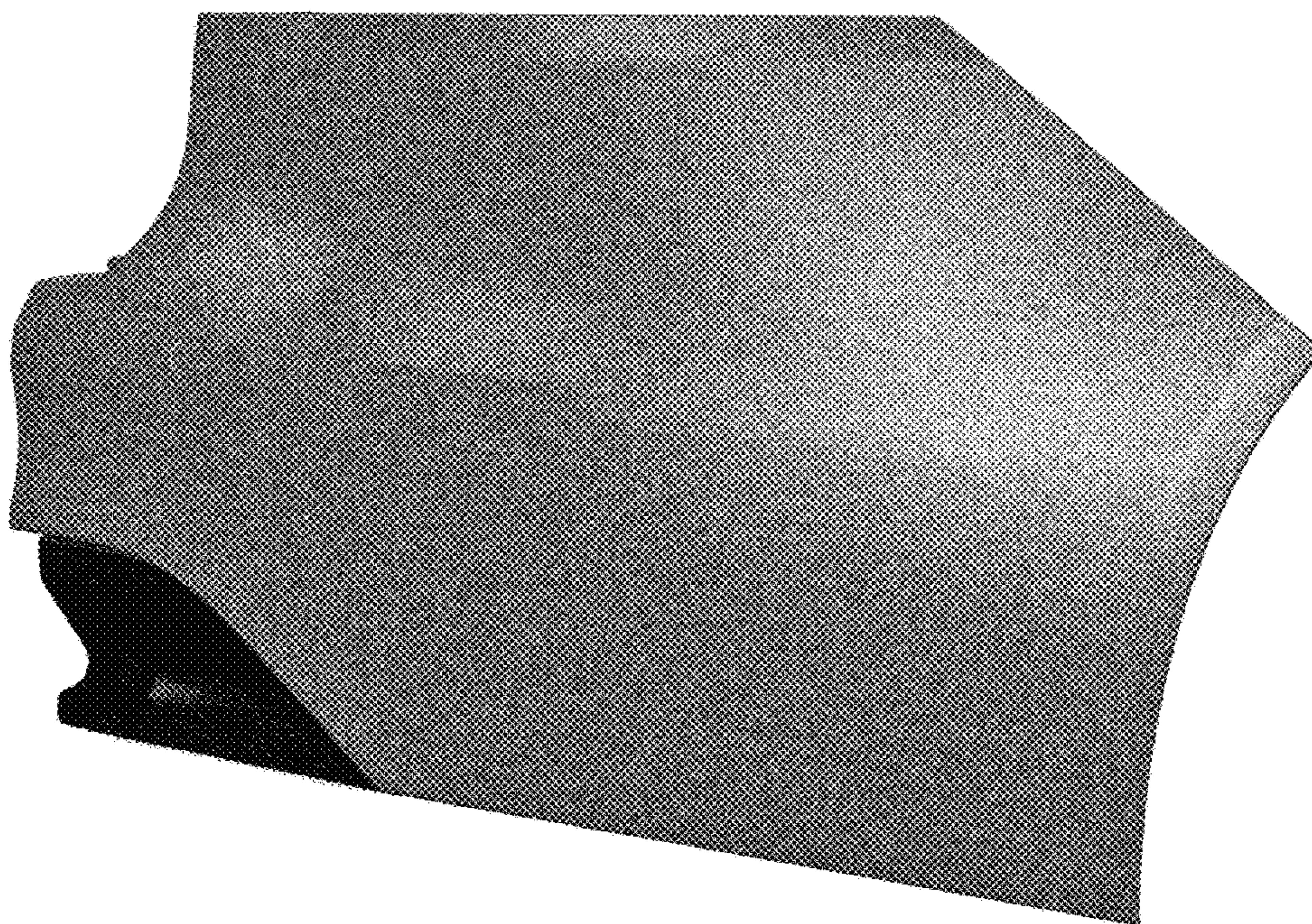


FIG. 6

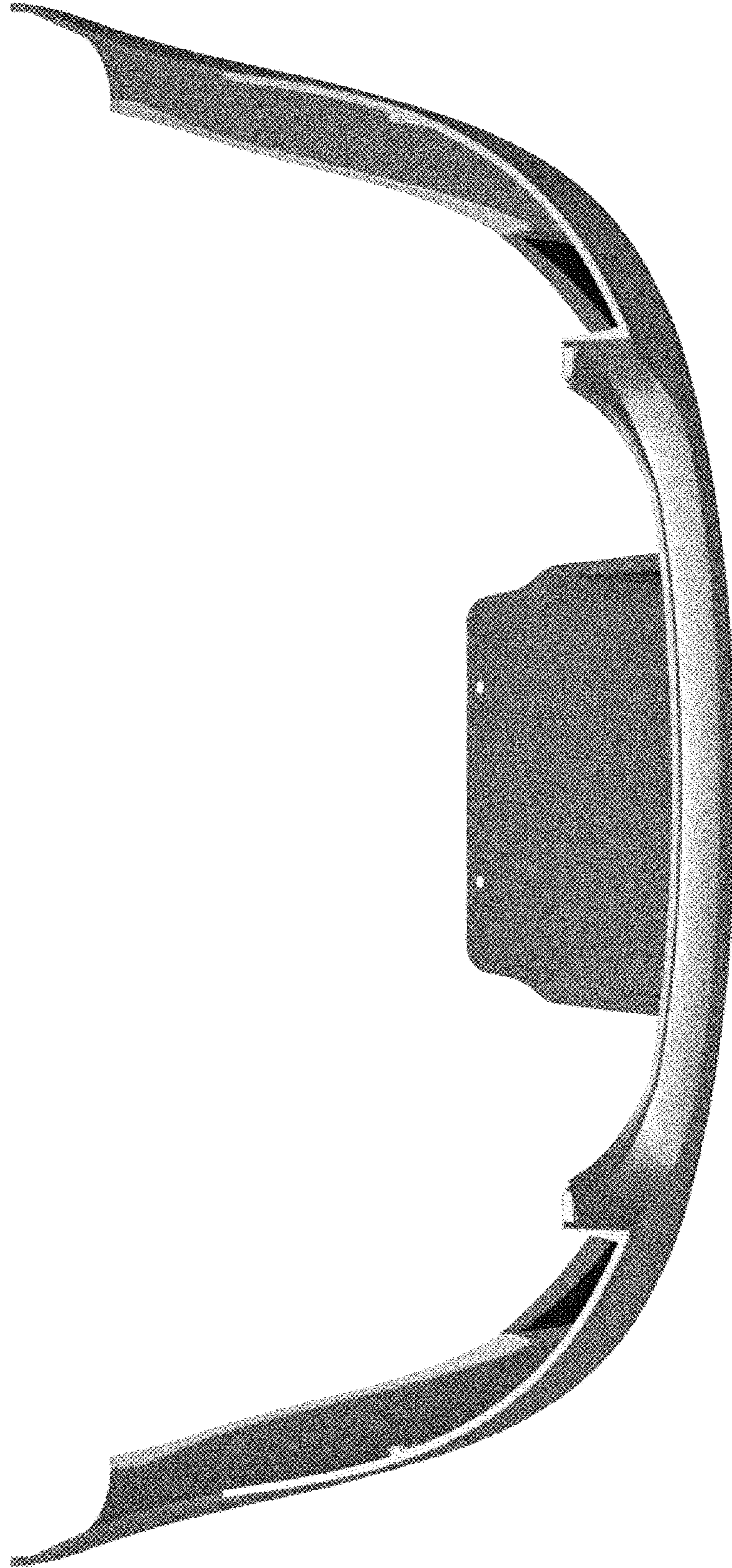


FIG. 7

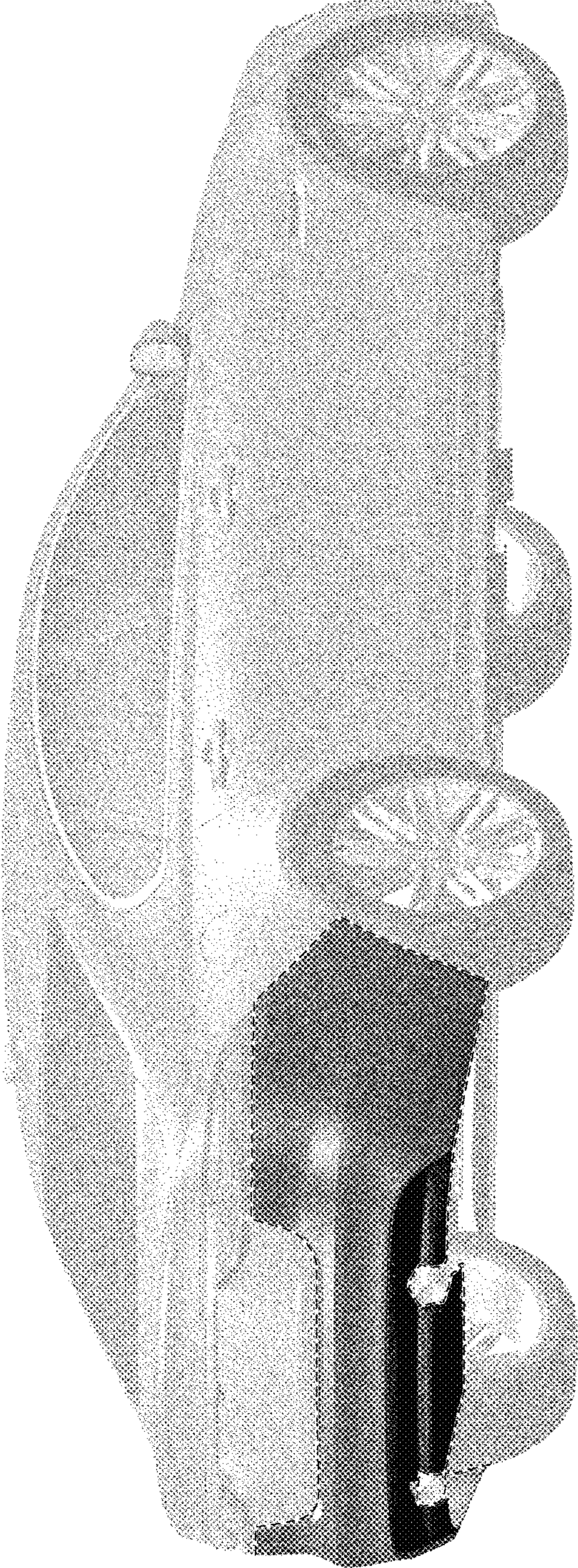


FIG. 8

UNITED STATES PATENT AND TRADEMARK OFFICE
CERTIFICATE OF CORRECTION

PATENT NO. : D808,871 S
APPLICATION NO. : 29/596695
DATED : January 30, 2018
INVENTOR(S) : Anthony Peat

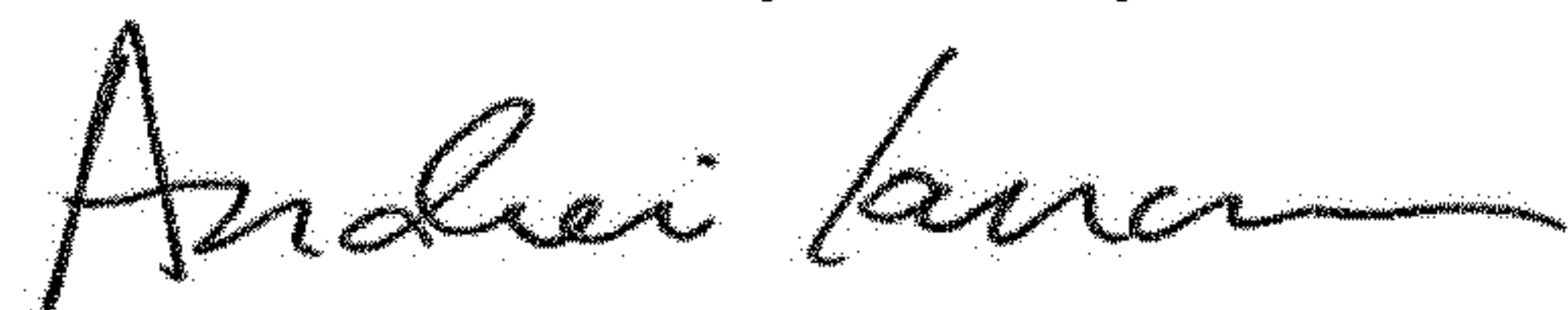
Page 1 of 1

It is certified that error appears in the above-identified patent and that said Letters Patent is hereby corrected as shown below:

On the Title Page

Column 2, "Description" Line 1, "FIG. 1 is a front and right side perspective view of a grille ...", should read --FIG. 1 is a front and right side perspective view of a rear bumper ...--.

Signed and Sealed this
Sixteenth Day of July, 2019



Andrei Iancu
Director of the United States Patent and Trademark Office