



US00D808869S

(12) **United States Design Patent**
Menichini

(10) **Patent No.:** **US D808,869 S**
(45) **Date of Patent:** **** Jan. 30, 2018**

- (54) **WHEELCHAIR**
- (71) Applicant: **ORMESA S.R.L.**, Foligno (PG) (IT)
- (72) Inventor: **Luigi Menichini**, Foligno (IT)
- (73) Assignee: **ORMESA S.R.L.**, Foligno (PG) (IT)
- (**) Term: **15 Years**
- (21) Appl. No.: **29/580,796**
- (22) Filed: **Oct. 13, 2016**
- (51) **LOC (11) Cl.** **12-12**
- (52) **U.S. Cl.**
USPC **D12/131**
- (58) **Field of Classification Search**
USPC D12/128-133
CPC A61G 5/00-5/14
See application file for complete search history.

- D455,377 S * 4/2002 Suiter D12/131
- D460,029 S * 7/2002 Wang D12/131
- D460,389 S * 7/2002 Wang D12/131
- D465,441 S * 11/2002 Wang D12/131
- 7,537,237 B2 * 5/2009 Chung A61G 5/00
280/47.38
- D622,641 S * 8/2010 Chen D12/131
- D742,285 S * 11/2015 Cooper D12/131

* cited by examiner

Primary Examiner — Charles Hanson
(74) *Attorney, Agent, or Firm* — Egbert Law Offices, PLLC

(57) **CLAIM**
The ornamental design for a wheelchair, as shown and described.

DESCRIPTION

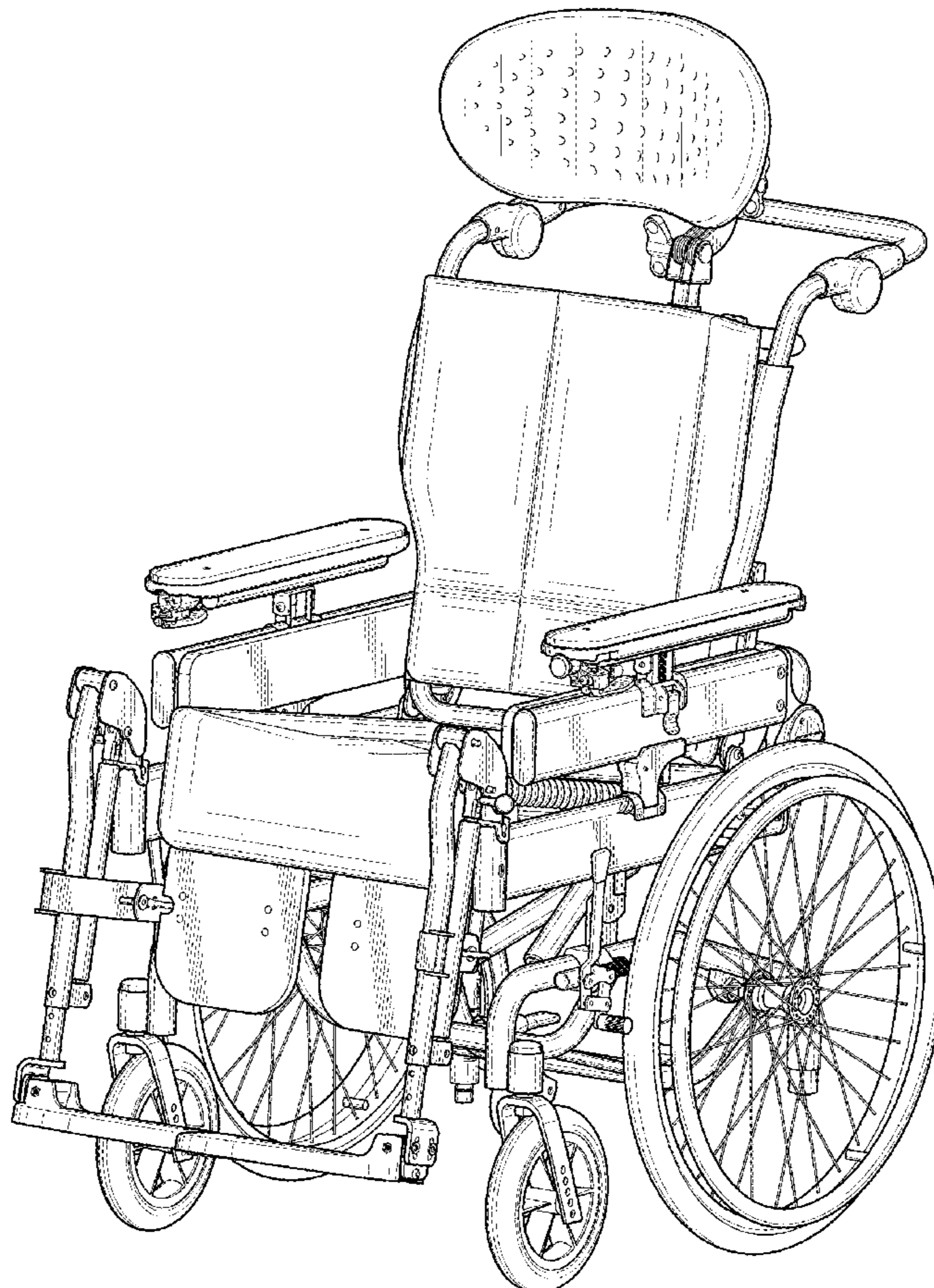
FIG. 1 is a perspective view of a wheelchair showing my new design.
FIG. 2 is a front view thereof;
FIG. 3 is a rear view thereof;
FIG. 4 is a side view thereof;
FIG. 5 is an opposite side view thereof;
FIG. 6 is a top view thereof; and,
FIG. 7 is a bottom view thereof.

(56) **References Cited**

U.S. PATENT DOCUMENTS

- D443,563 S * 6/2001 Johnson D12/131
- D444,105 S * 6/2001 Johansson D12/131
- D455,376 S * 4/2002 Lindenkamp D12/131

1 Claim, 7 Drawing Sheets



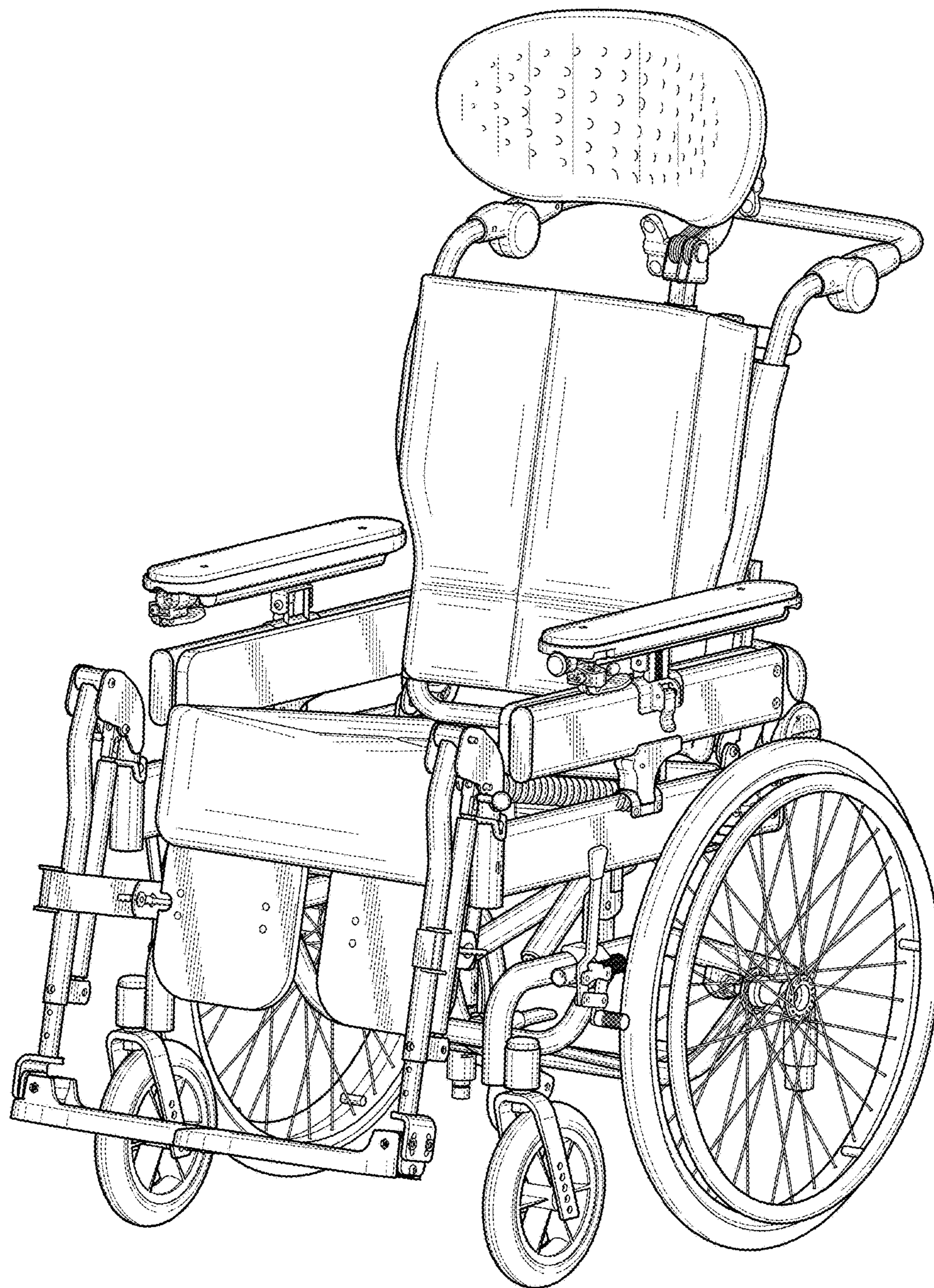


FIG. 1

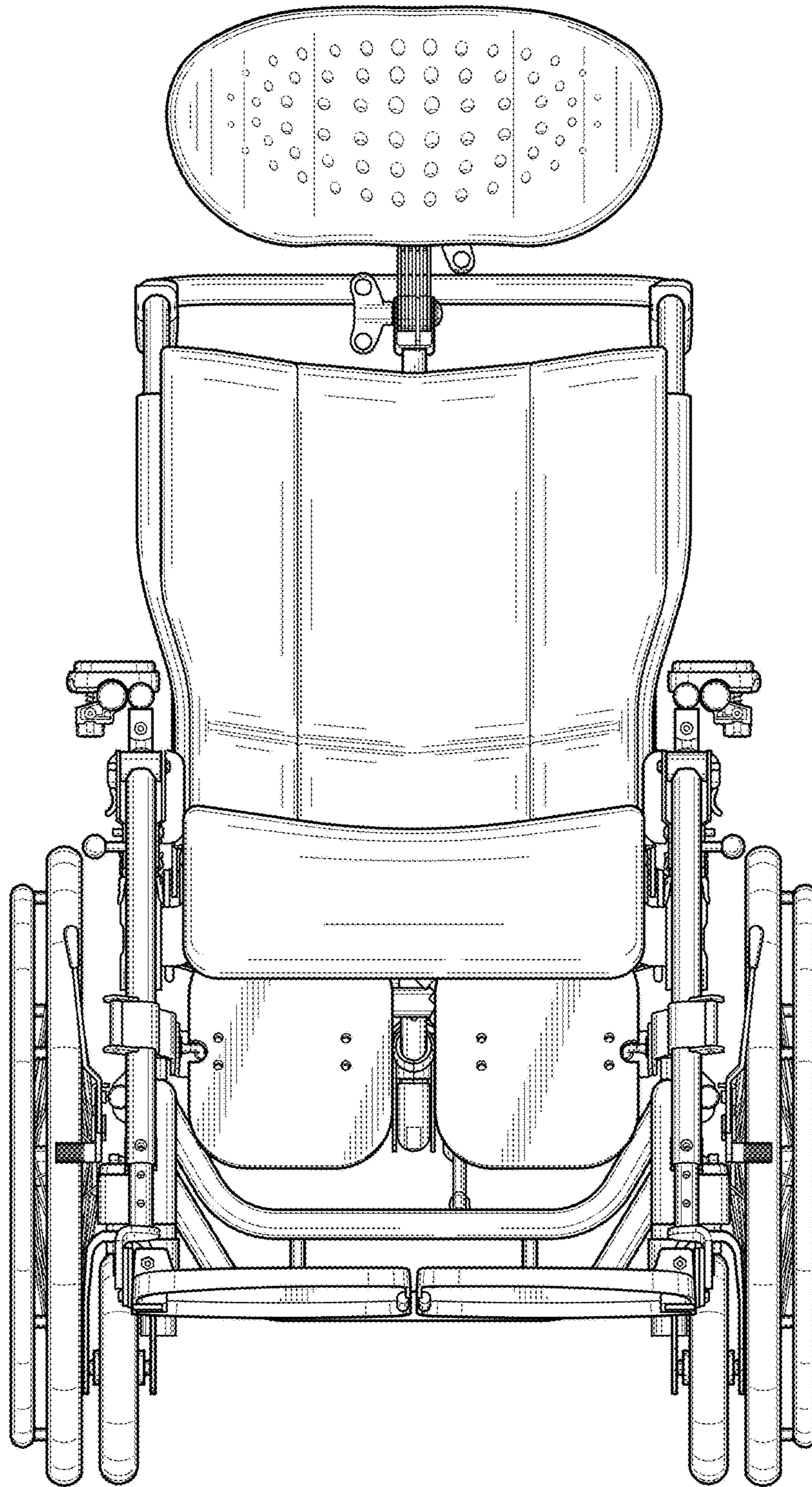


FIG. 2

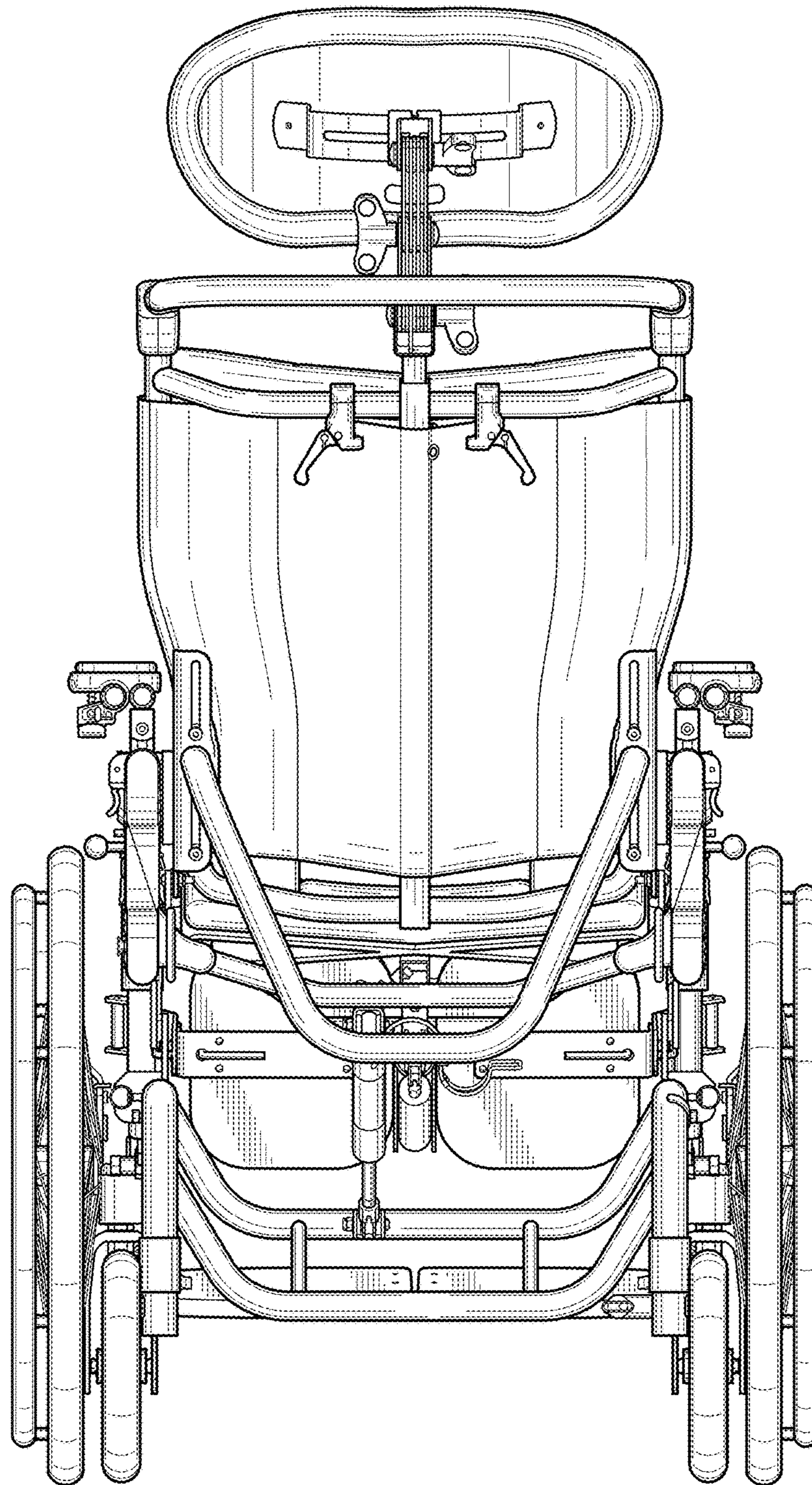


FIG. 3

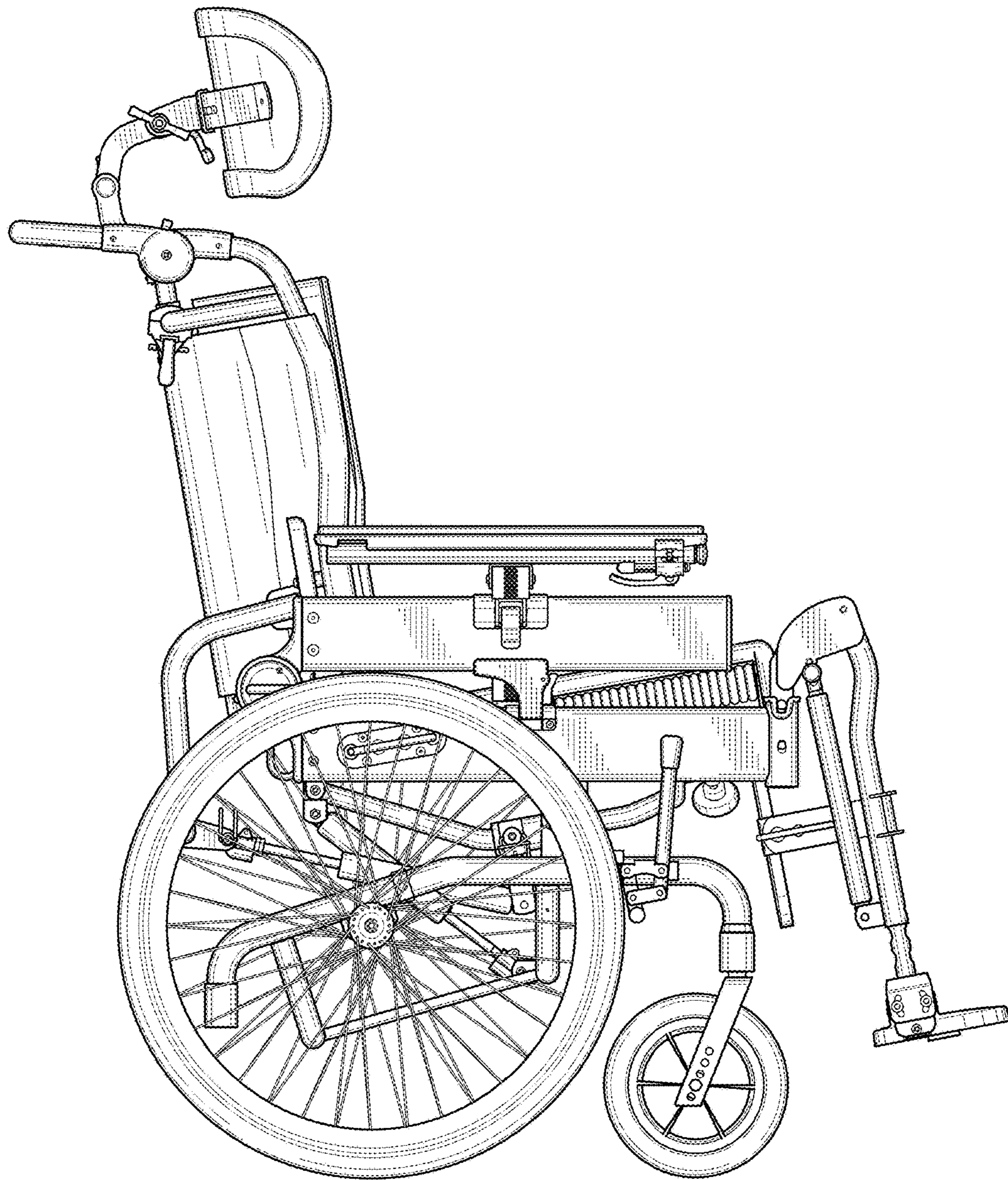


FIG. 4

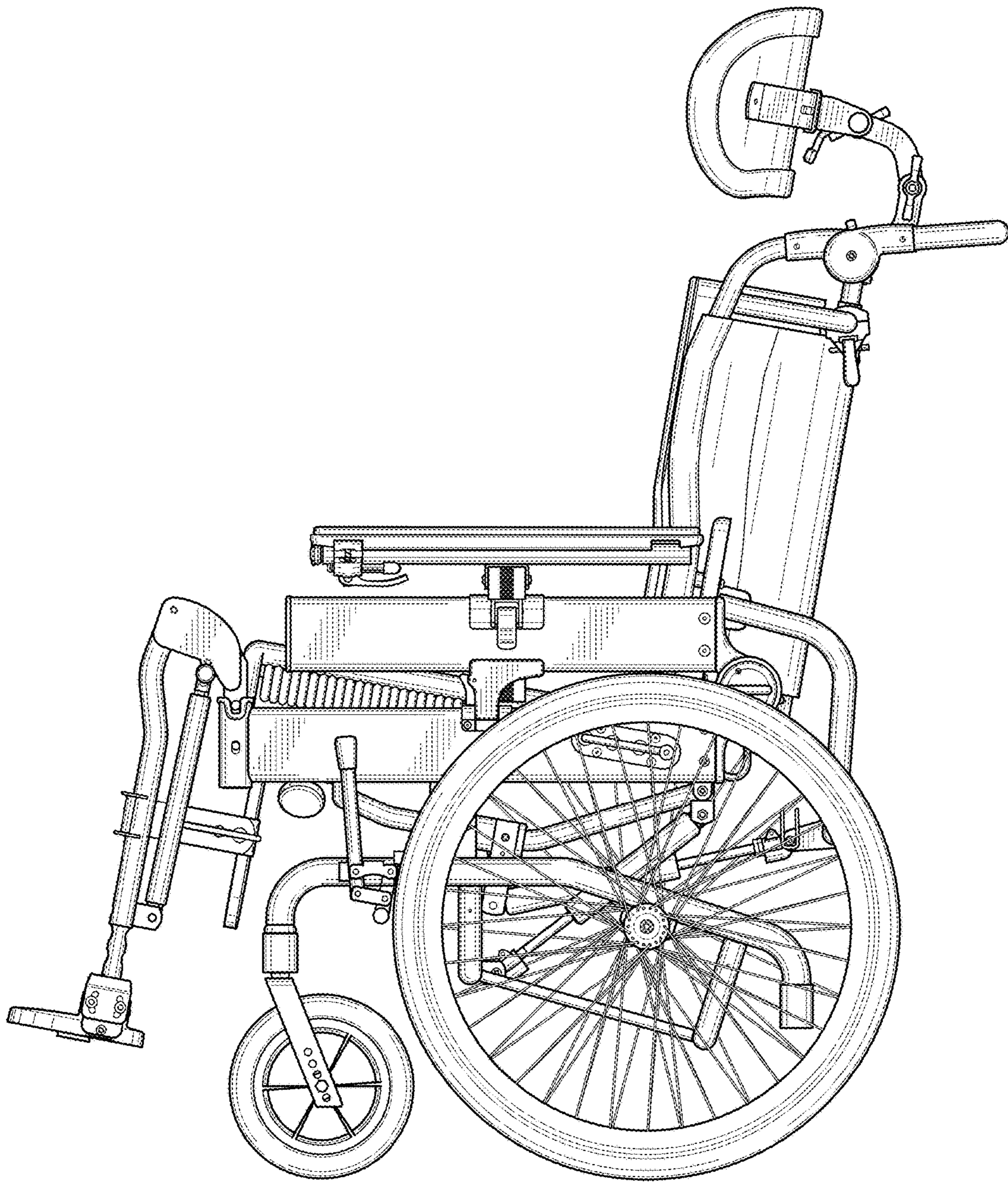


FIG. 5

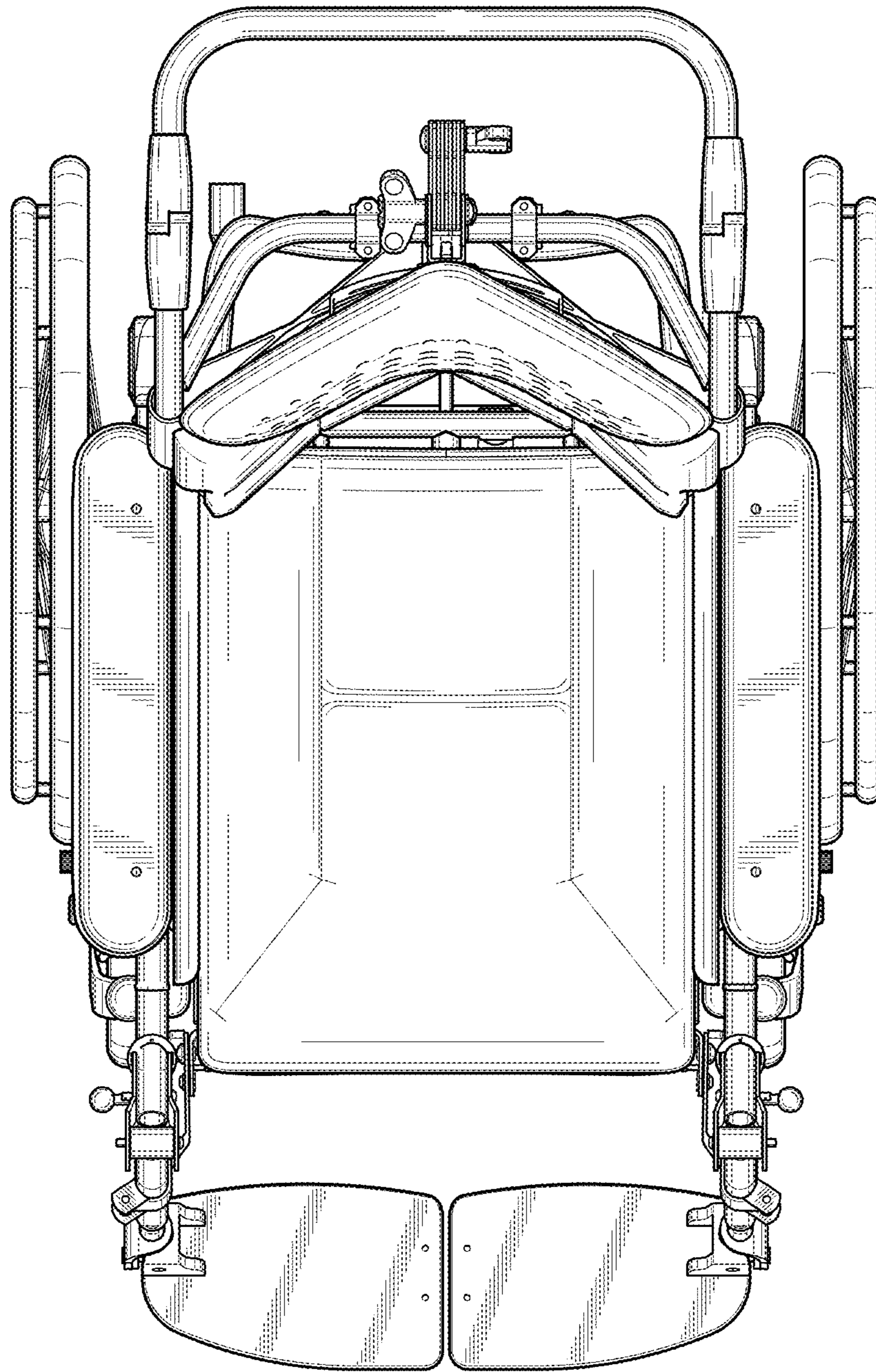


FIG. 6

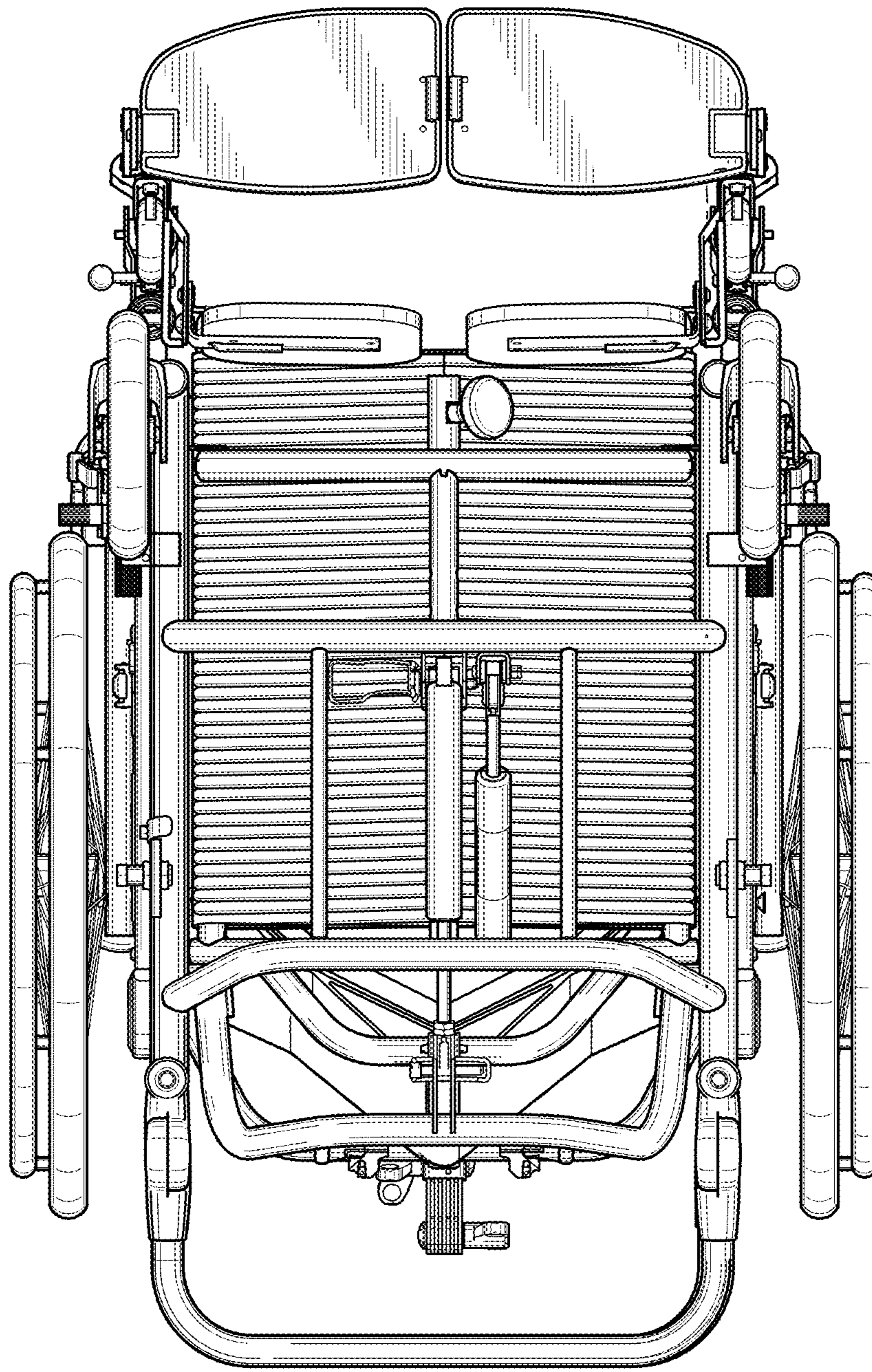


FIG. 7