



US00D808868S

(12) **United States Design Patent**
Cheng

(10) **Patent No.:** **US D808,868 S**
(45) **Date of Patent:** **** Jan. 30, 2018**

(54) **STAIR CLIMBER**
(71) Applicant: **MERITS HEALTH PRODUCTS CO., LTD.**, Taichung (TW)
(72) Inventor: **Ming-Chuan Cheng**, Taichung (TW)
(73) Assignee: **MERITS HEALTH PRODUCTS CO., LTD.**, Taichung (TW)
(**) Term: **15 Years**

4,566,707 A * 1/1986 Nitzberg A61G 5/066
180/8.2
5,158,309 A * 10/1992 Quigg A61G 5/061
180/9.32
5,197,558 A * 3/1993 Misawa A61G 5/061
180/8.2
5,335,741 A * 8/1994 Rabinovitz A61G 5/061
180/8.2
D430,078 S * 8/2000 Ellis D12/128
D599,256 S * 9/2009 Kawakami D12/128
D604,208 S * 11/2009 Perk D12/131
D745,441 S * 12/2015 Ohruh D12/131
D801,880 S * 11/2017 Ahlbertz D12/131

* cited by examiner

(21) Appl. No.: **29/593,437**

(22) Filed: **Feb. 8, 2017**

Primary Examiner — Charles Hanson

(74) *Attorney, Agent, or Firm* — Muncy, Geissler, Olds & Lowe, P.C.

(30) **Foreign Application Priority Data**

Sep. 22, 2016 (TW) 105305611

(51) **LOC (11) Cl.** **12-12**

(52) **U.S. Cl.**
USPC **D12/128**

(58) **Field of Classification Search**
USPC D12/128–133
CPC A61G 5/04; A61G 5/041–5/047; A61G
2005/048
See application file for complete search history.

(57) **CLAIM**

The ornamental design for a stair climber, as shown and described.

DESCRIPTION

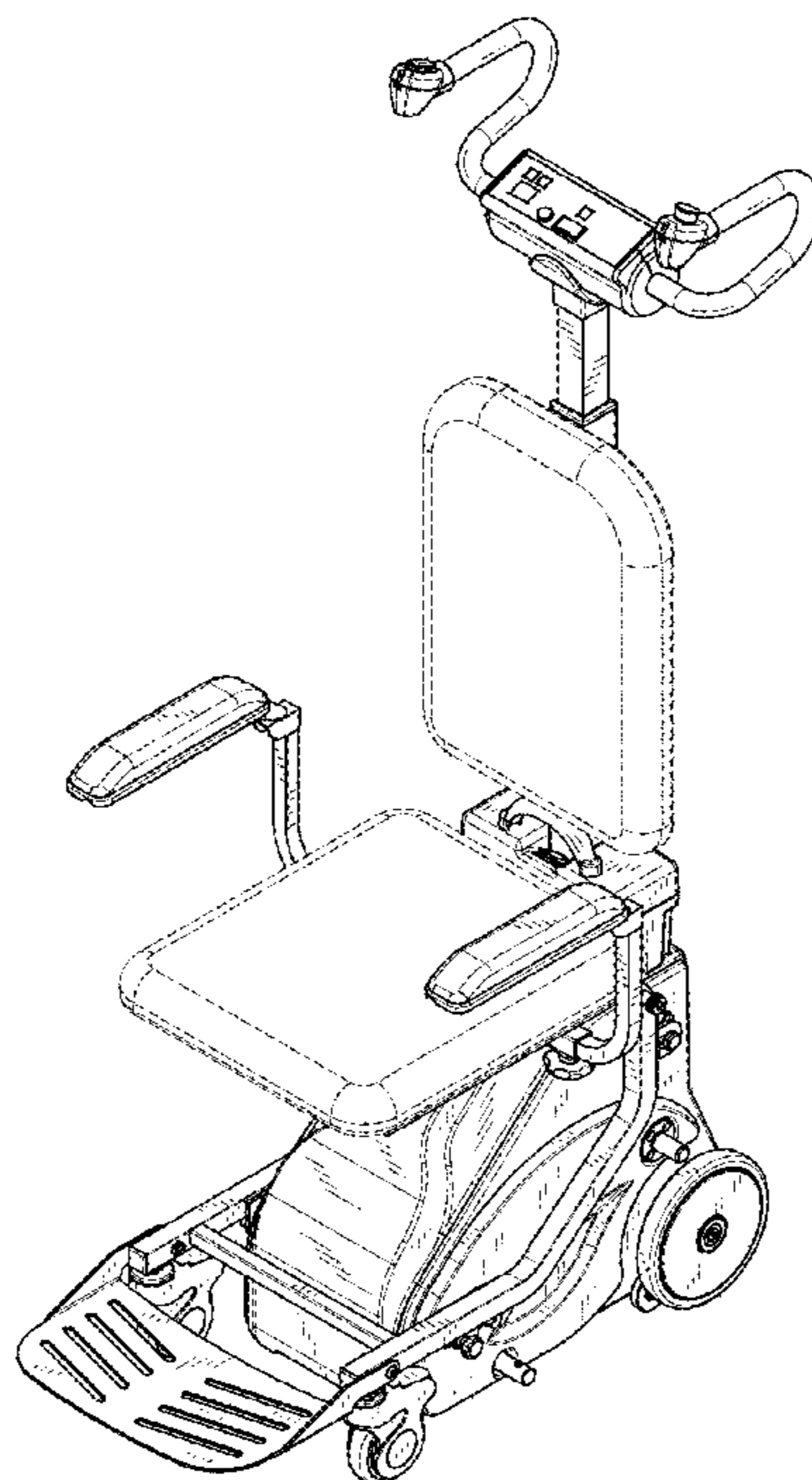
FIG. 1 is a perspective view of a stair climber showing my new design;
FIG. 2 is a front elevational view thereof;
FIG. 3 is a rear elevational view thereof;
FIG. 4 is a left side elevational view thereof;
FIG. 5 is a right side elevational view thereof;
FIG. 6 is a top plan view thereof; and,
FIG. 7 is another perspective view thereof.
The broken lines in the drawings of the stair climber form no part of the claimed design.

(56) **References Cited**

U.S. PATENT DOCUMENTS

3,214,184 A * 10/1965 Kemm A61G 5/061
280/11
3,283,839 A * 11/1966 Brown A61G 5/061
180/8.2

1 Claim, 7 Drawing Sheets



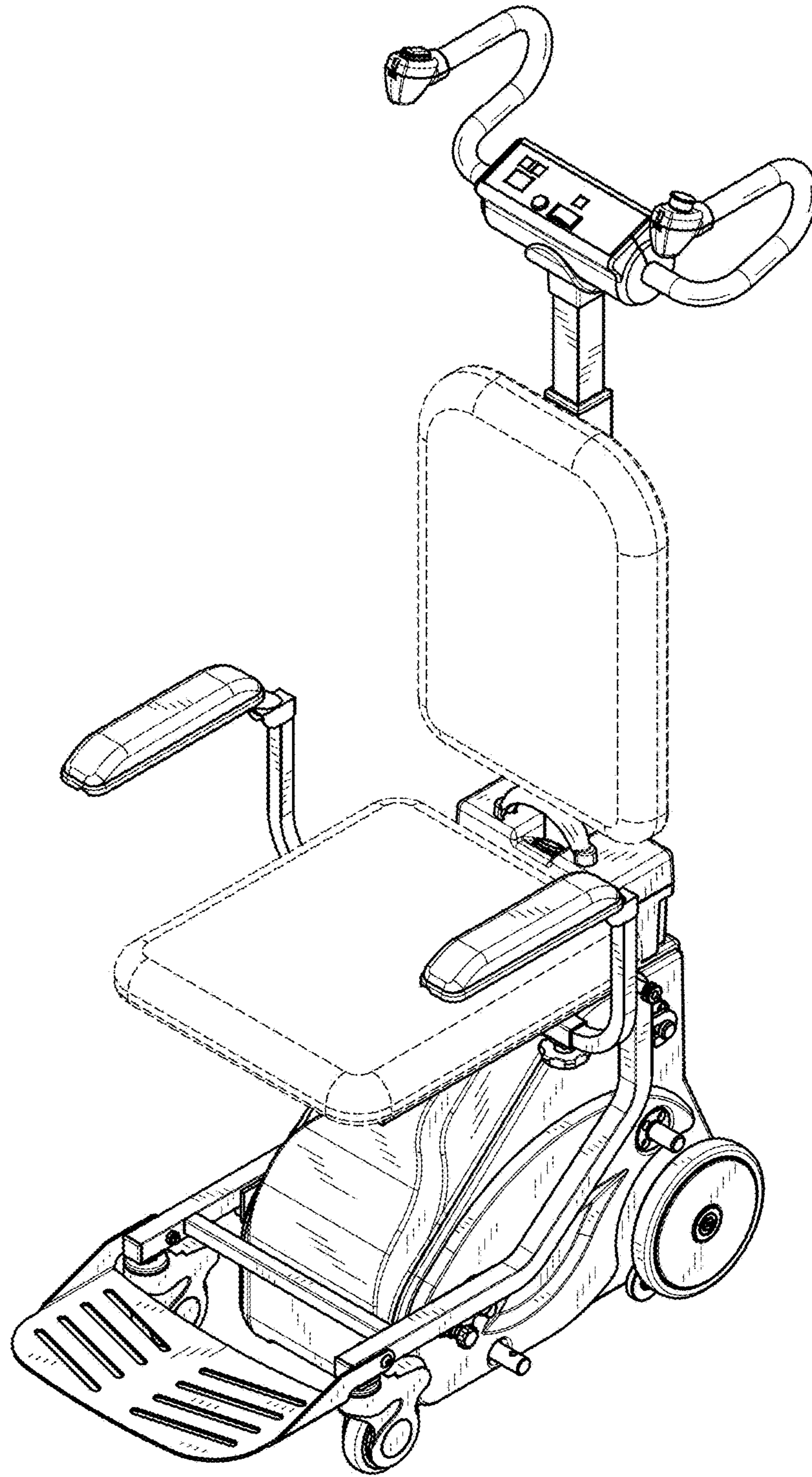


FIG. 1

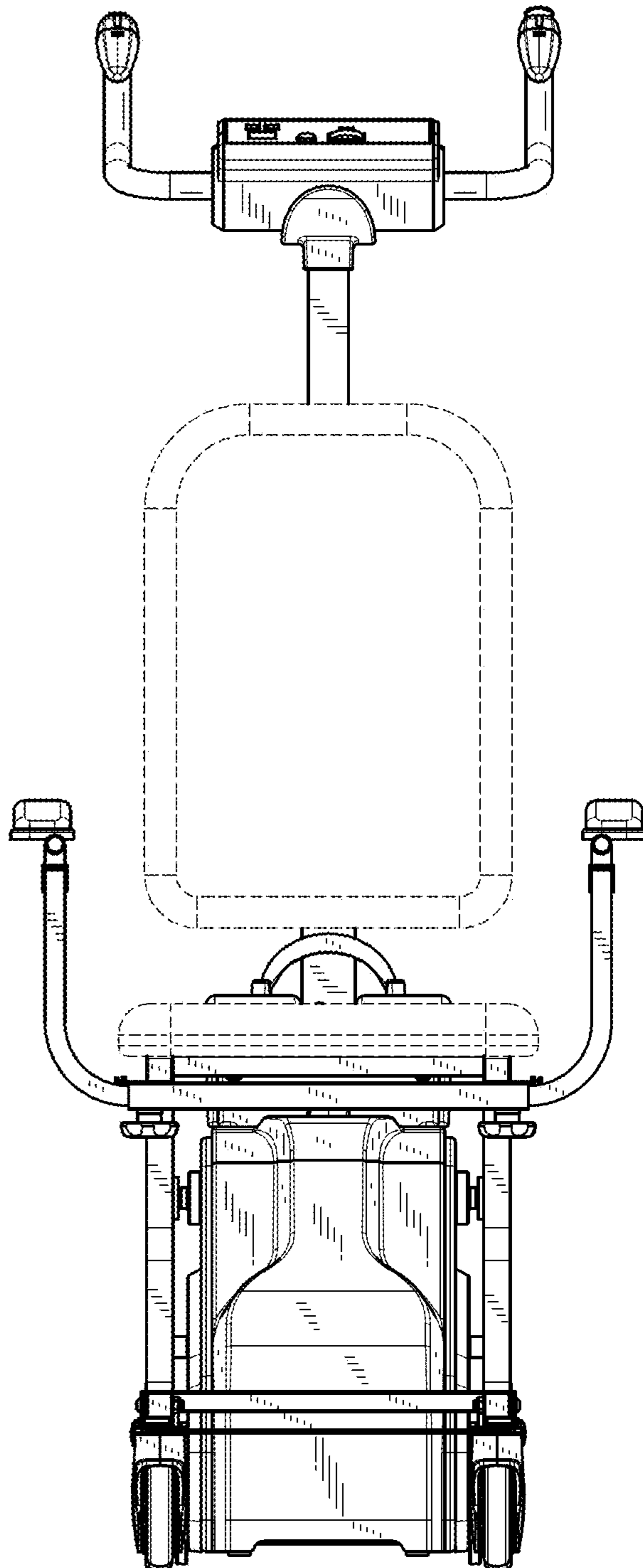


FIG. 2

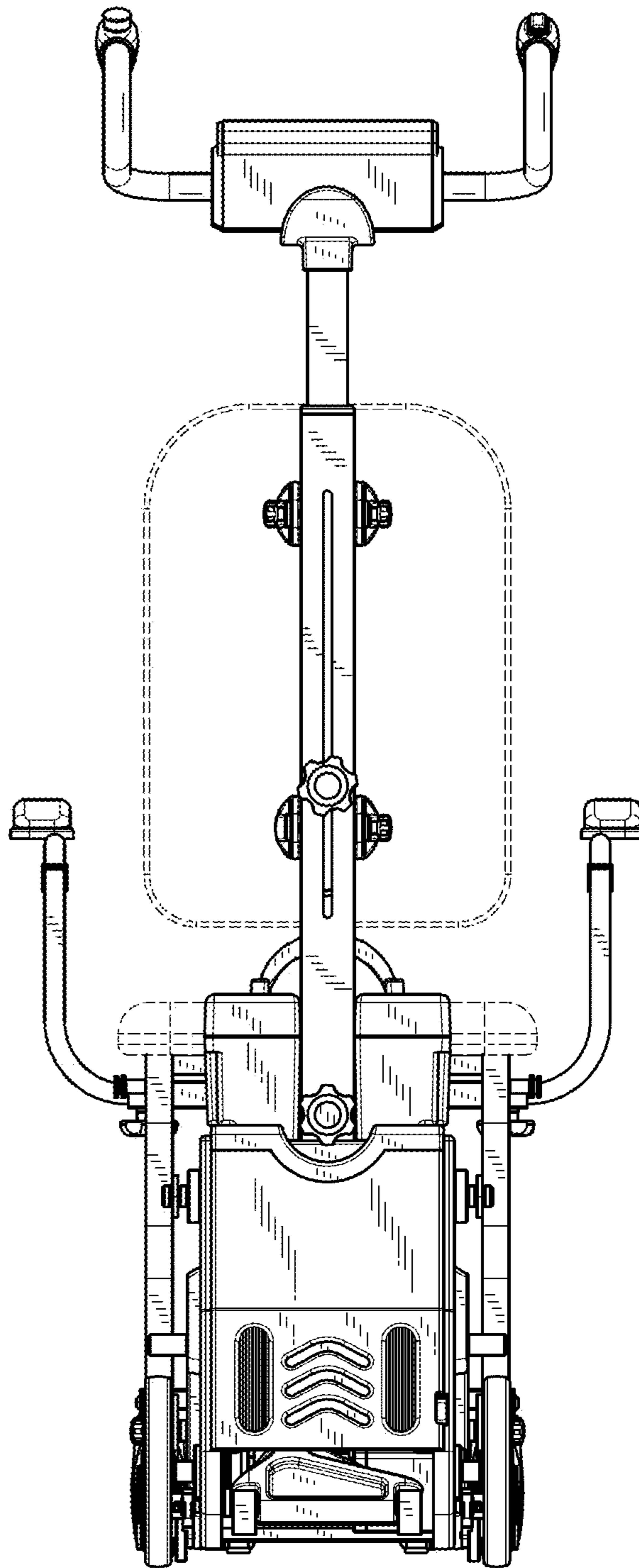


FIG. 3

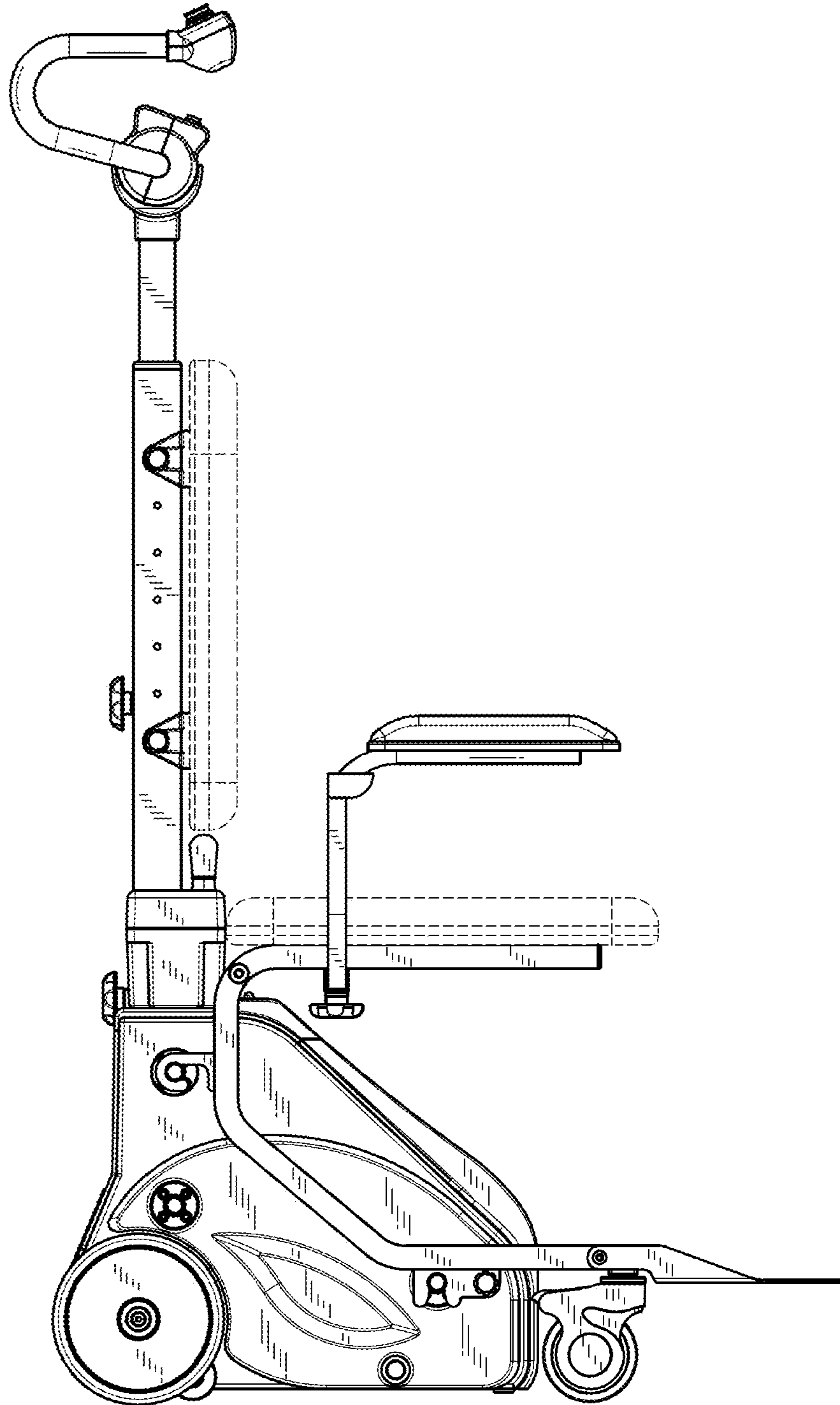


FIG. 4

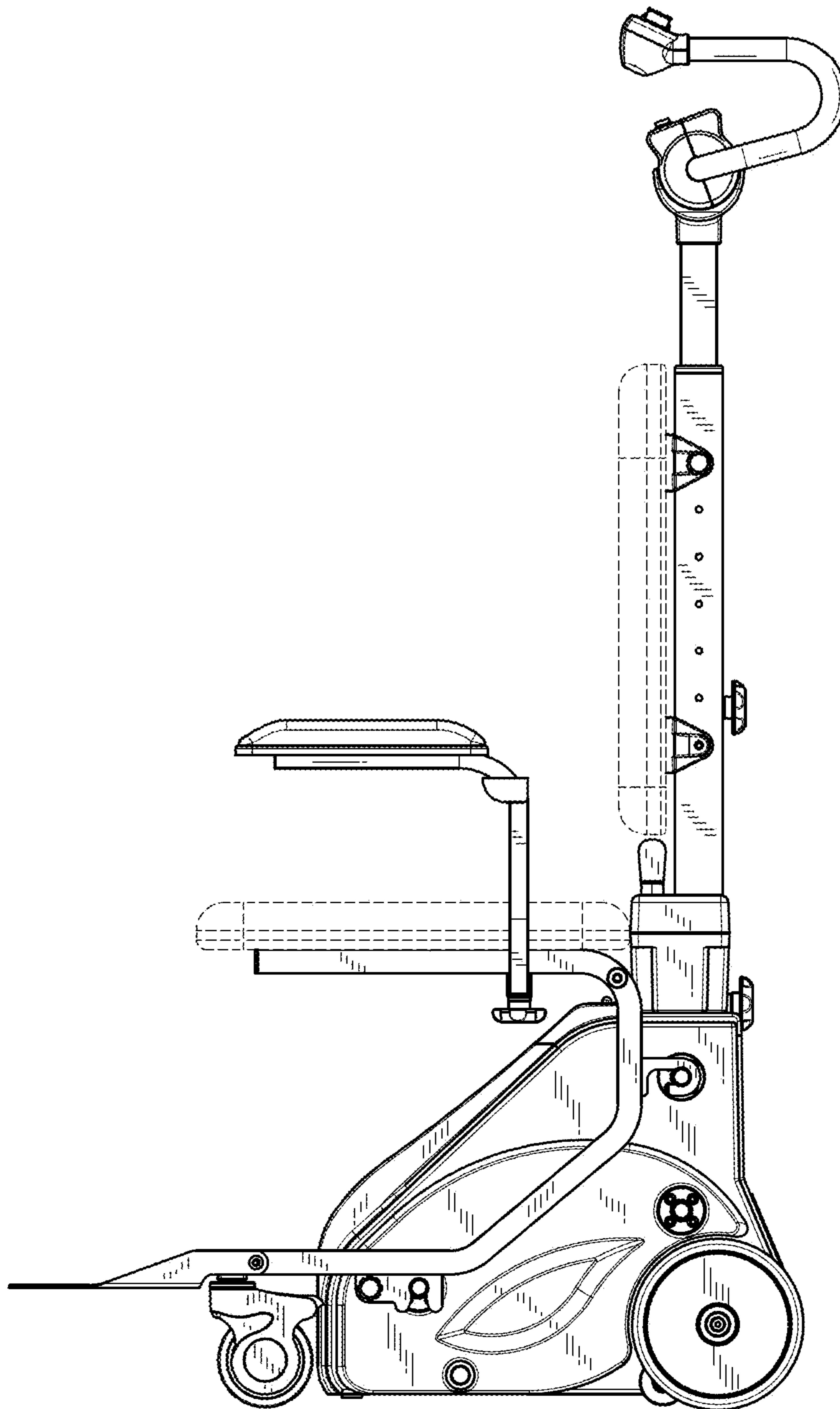


FIG. 5

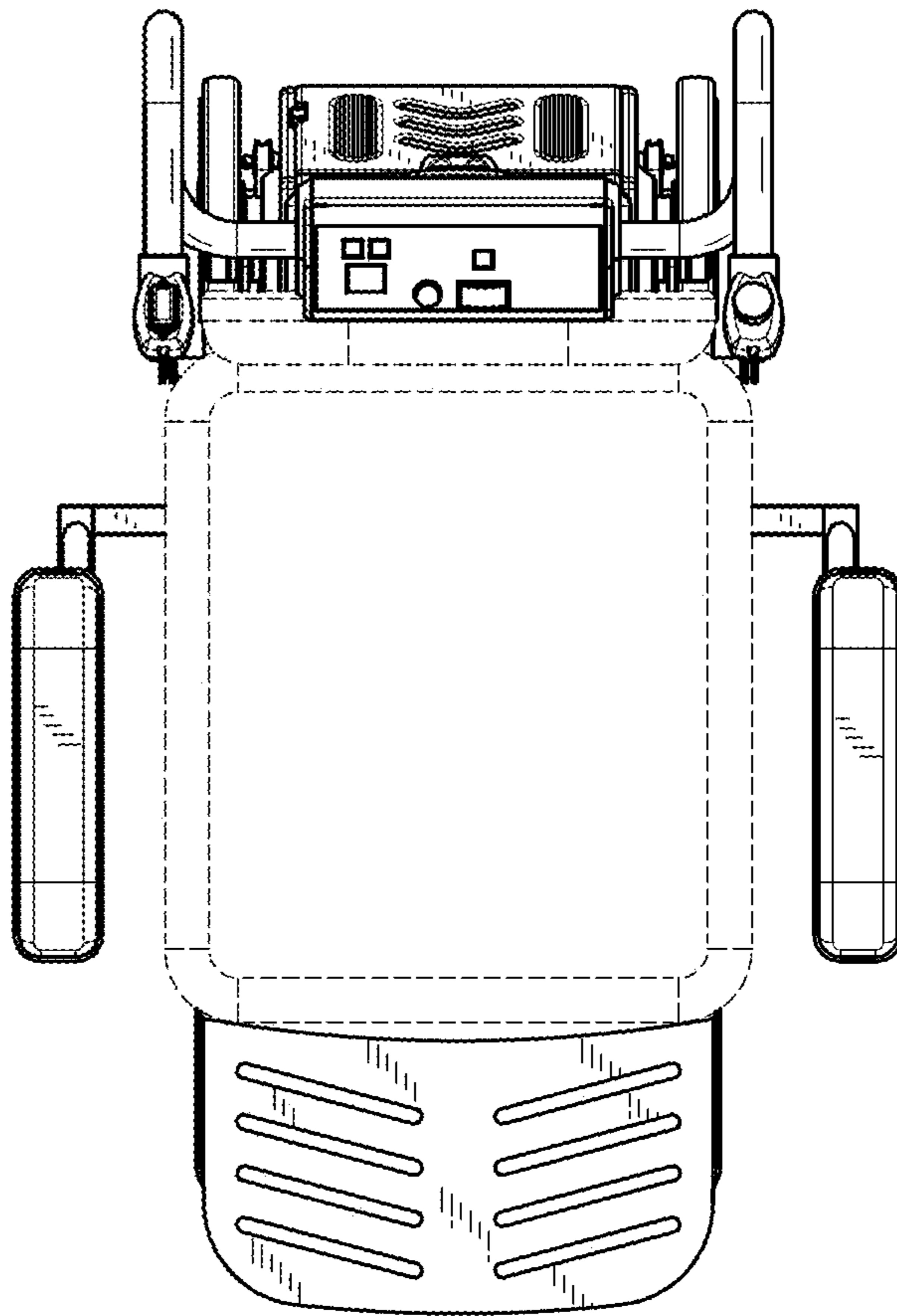


FIG. 6

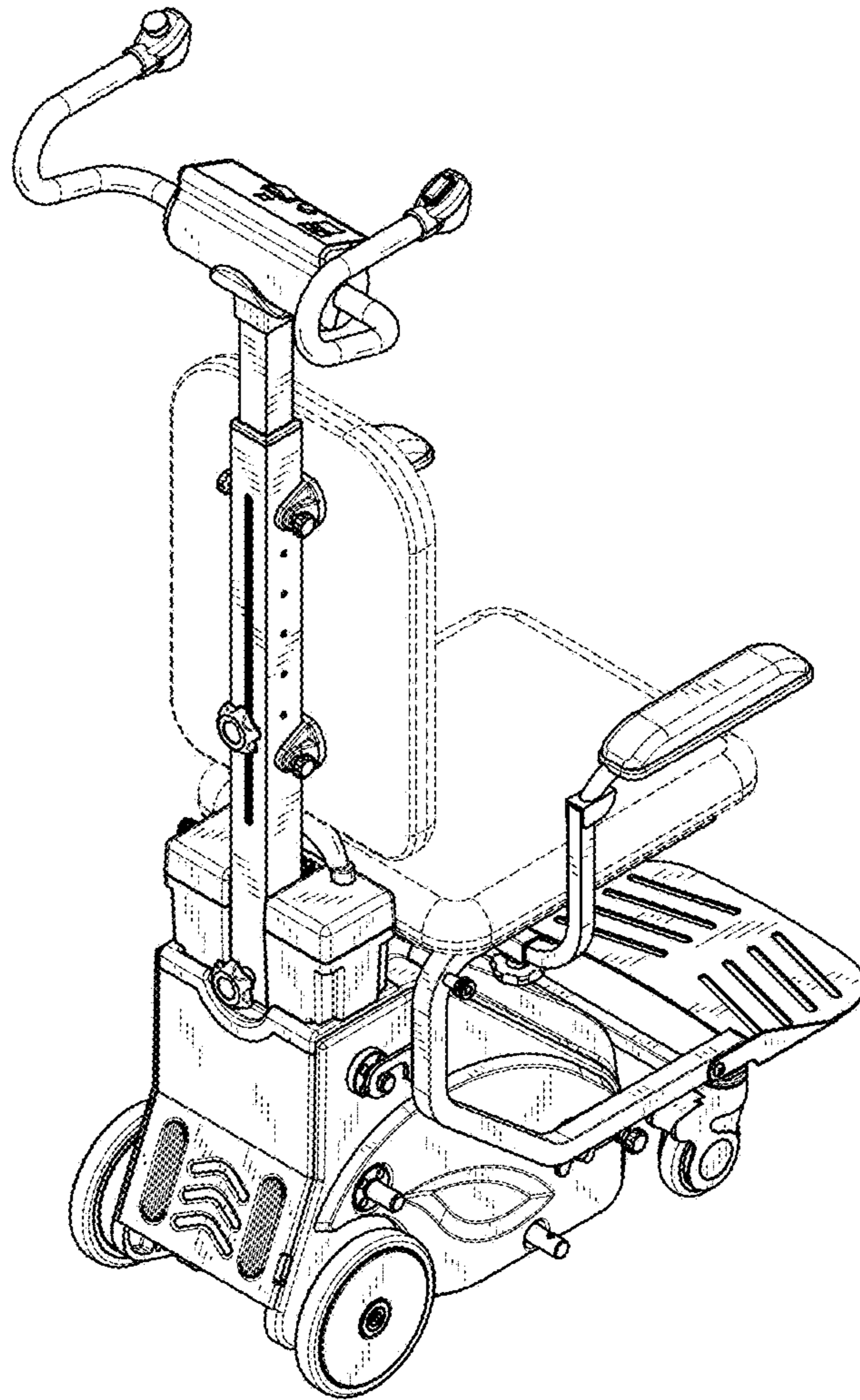


FIG. 7