



US00D808867S

(12) **United States Design Patent**
Chui et al.

(10) **Patent No.:** **US D808,867 S**

(45) **Date of Patent:** **** Jan. 30, 2018**

- (54) **MOTORCYCLE FAIRING**
- (71) Applicants: **Ka Yu Calvin Chui**, Kowloon (HK);
Wing Chuen Kay Chui, Kowloon (HK)
- (72) Inventors: **Ka Yu Calvin Chui**, Kowloon (HK);
Wing Chuen Kay Chui, Kowloon (HK)
- (**) Term: **15 Years**
- (21) Appl. No.: **29/535,805**
- (22) Filed: **Aug. 11, 2015**
- (51) **LOC (11) Cl.** **12-11**
- (52) **U.S. Cl.**
USPC **D12/114**
- (58) **Field of Classification Search**
USPC D12/114, 117, 110, 126, 186, 182, 402
CPC B62J 17/04; B62J 17/02; B62J 17/00
See application file for complete search history.

- 7,837,253 B1 * 11/2010 Swender B62J 17/02
296/180.1
- D631,802 S * 2/2011 Burden D12/182
- D634,684 S * 3/2011 Hodges D12/182
- D649,497 S * 11/2011 Adams D12/182
- D683,276 S * 5/2013 Files D12/126
- D777,611 S * 1/2017 Griffin D12/114

* cited by examiner

Primary Examiner — George D. Kirschbaum

Assistant Examiner — Clese Moore, Jr.

(74) *Attorney, Agent, or Firm* — Rabin & Berdo, P.C.

(57) **CLAIM**

The ornamental design for a motorcycle fairing, as shown and described.

DESCRIPTION

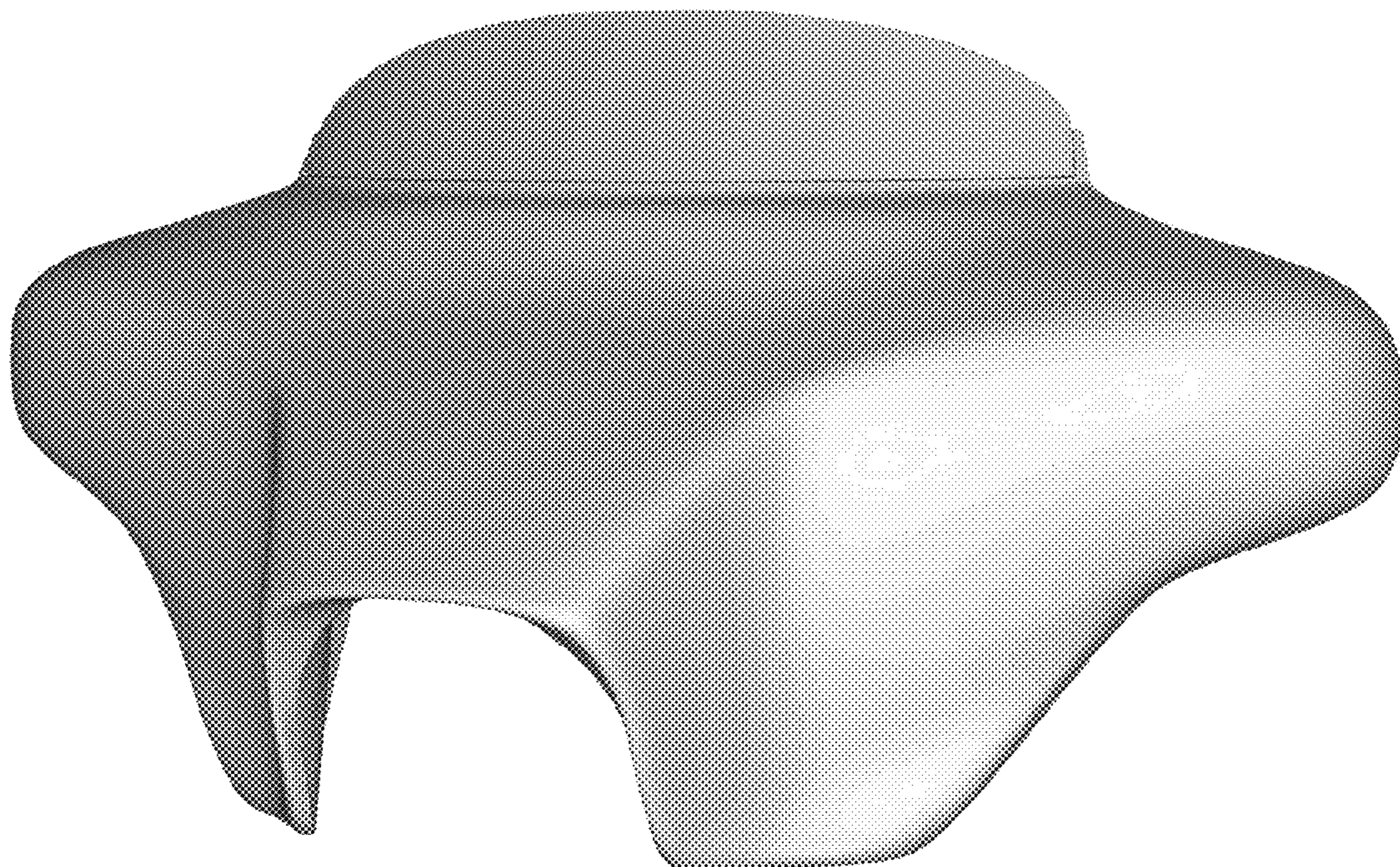
FIG. 1 is a front perspective view of a motorcycle fairing showing our new design;
 FIG. 2 is a rear perspective view thereof;
 FIG. 3 is another rear perspective view with the rear latch in an open position thereof;
 FIG. 4 is a front view thereof;
 FIG. 5 is a rear view thereof;
 FIG. 6 is a left side view thereof;
 FIG. 7 is a right side view thereof;
 FIG. 8 is a top plan view thereof; and,
 FIG. 9 is a bottom plan view thereof.

1 Claim, 9 Drawing Sheets

(56) **References Cited**

U.S. PATENT DOCUMENTS

- D260,509 S * 9/1981 Guzzetta D12/182
- D345,725 S * 4/1994 Camfield D12/182
- D440,920 S * 4/2001 Nelson D12/182
- D480,670 S * 10/2003 Hanagan D12/182
- D485,221 S * 1/2004 Song D12/182
- D578,941 S * 10/2008 Hanagan D12/182
- D599,724 S * 9/2009 Swender D12/182
- D624,860 S * 10/2010 Shimizugami D12/182



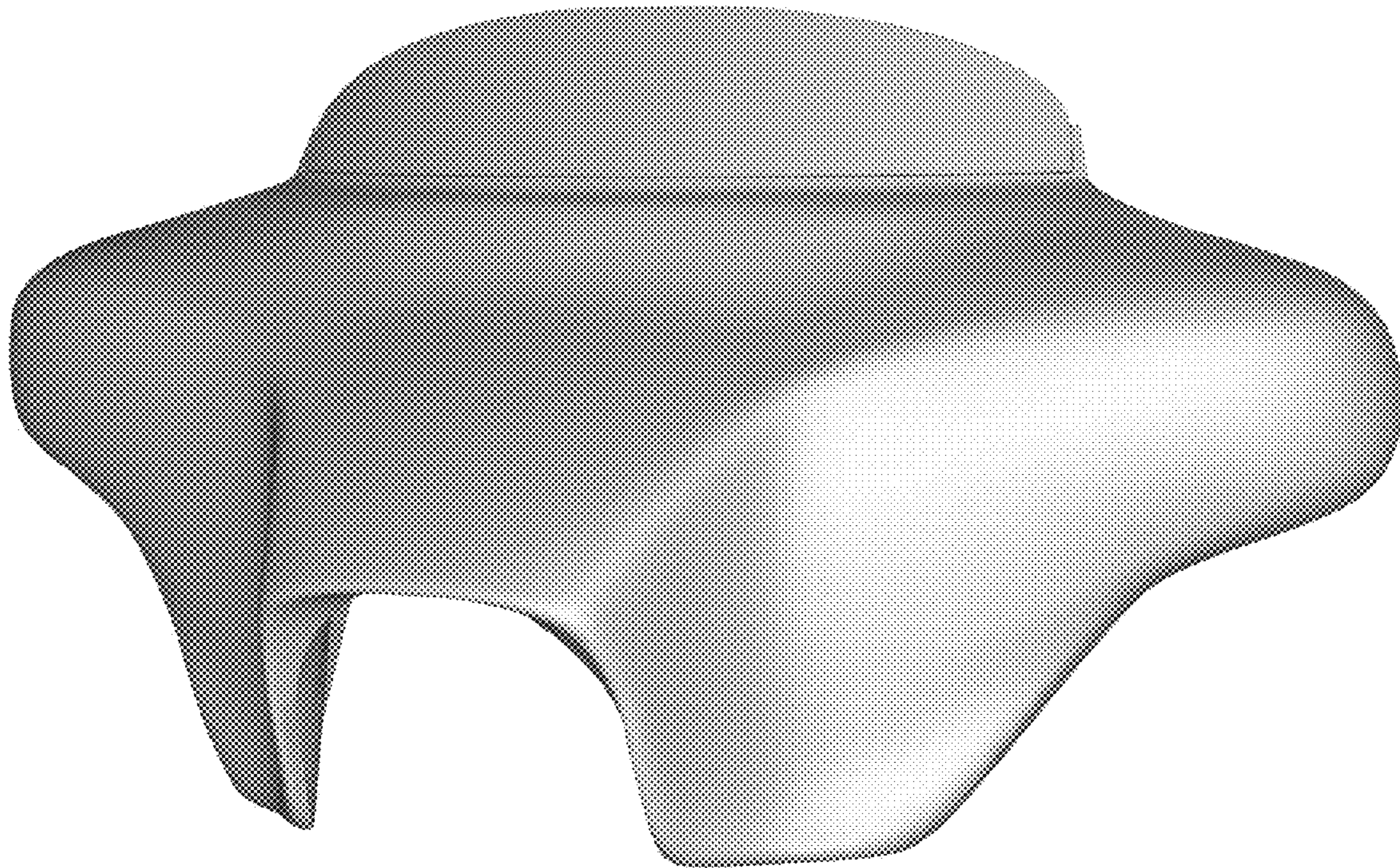


Fig.1

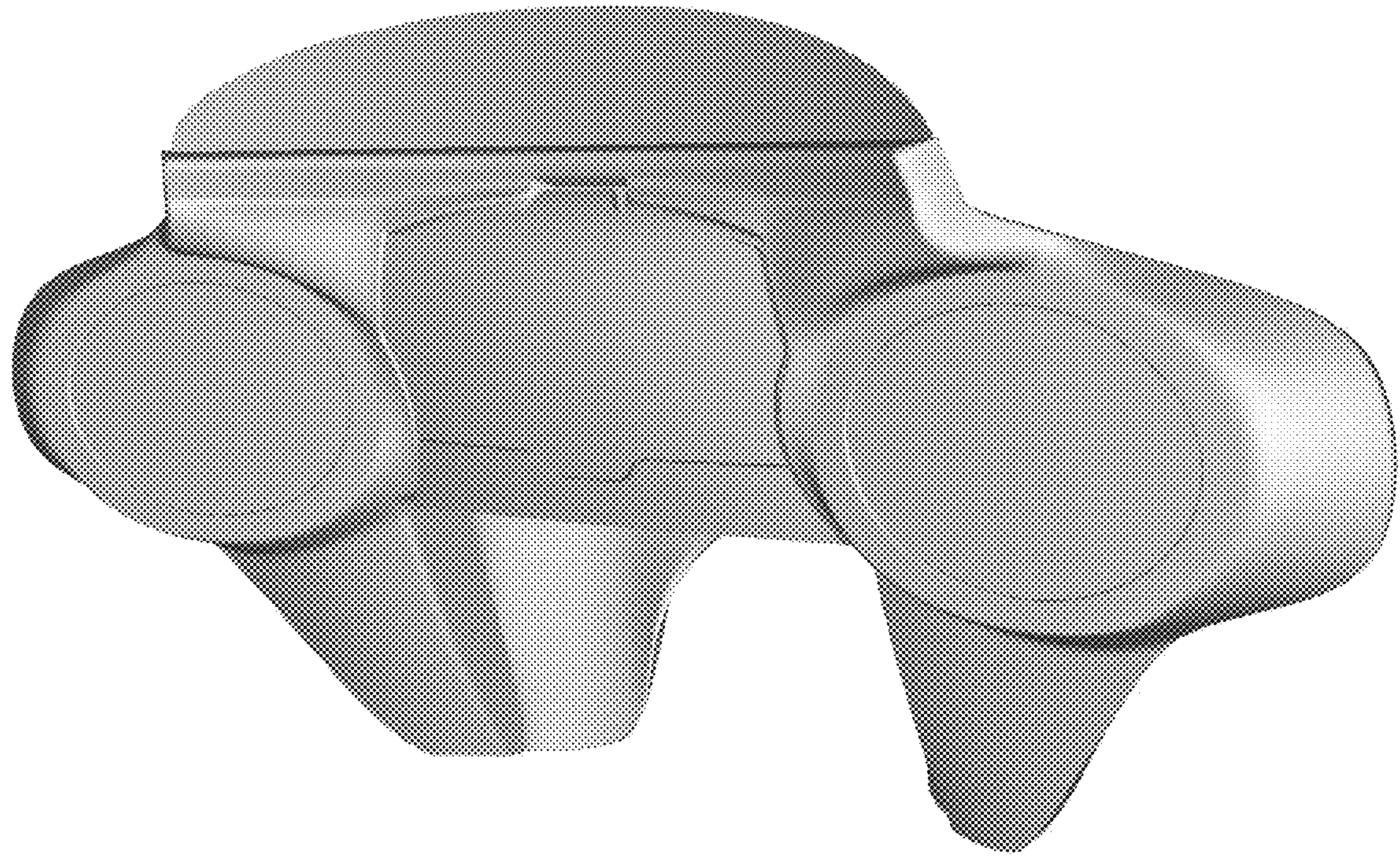


Fig.2

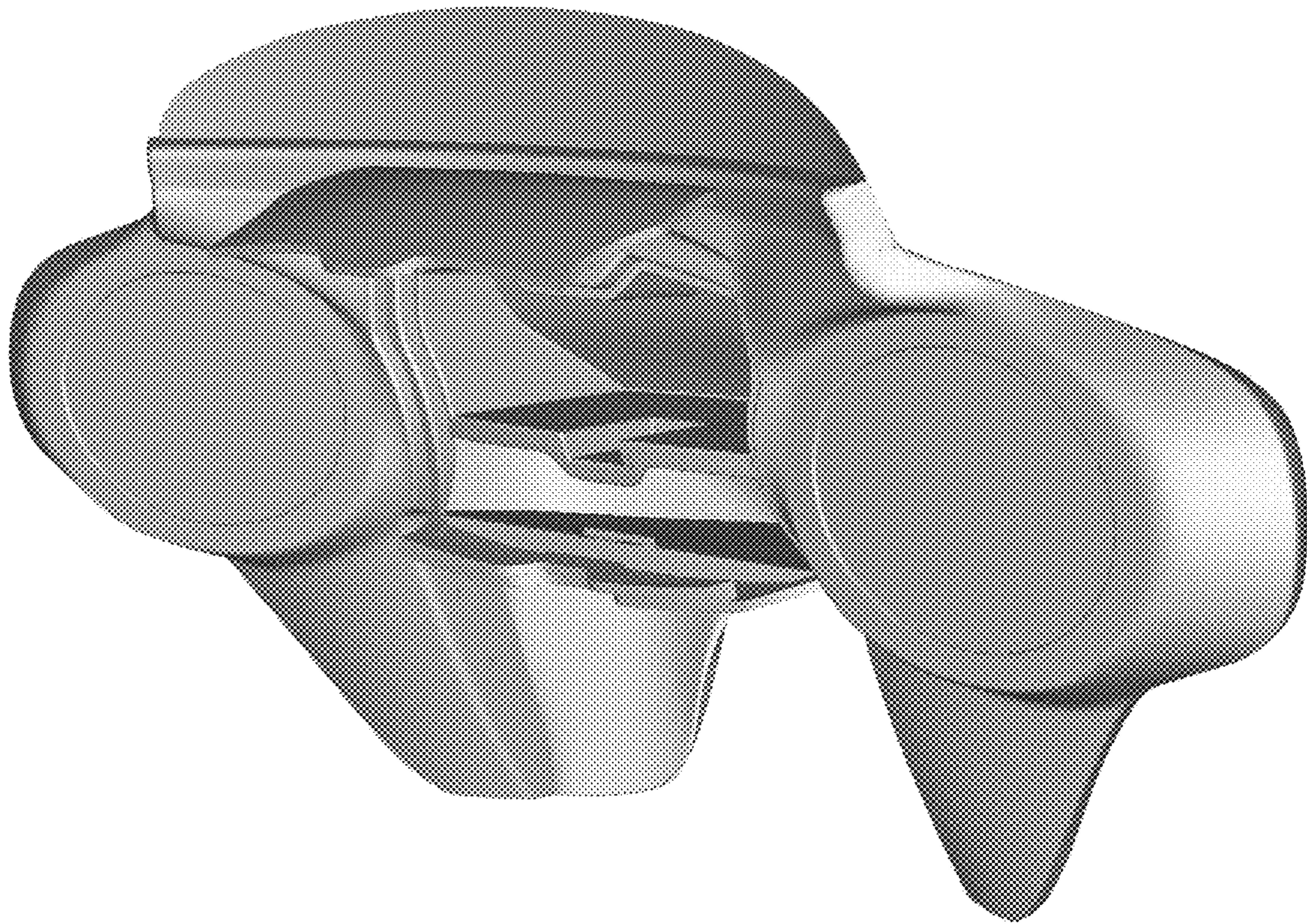


Fig.3

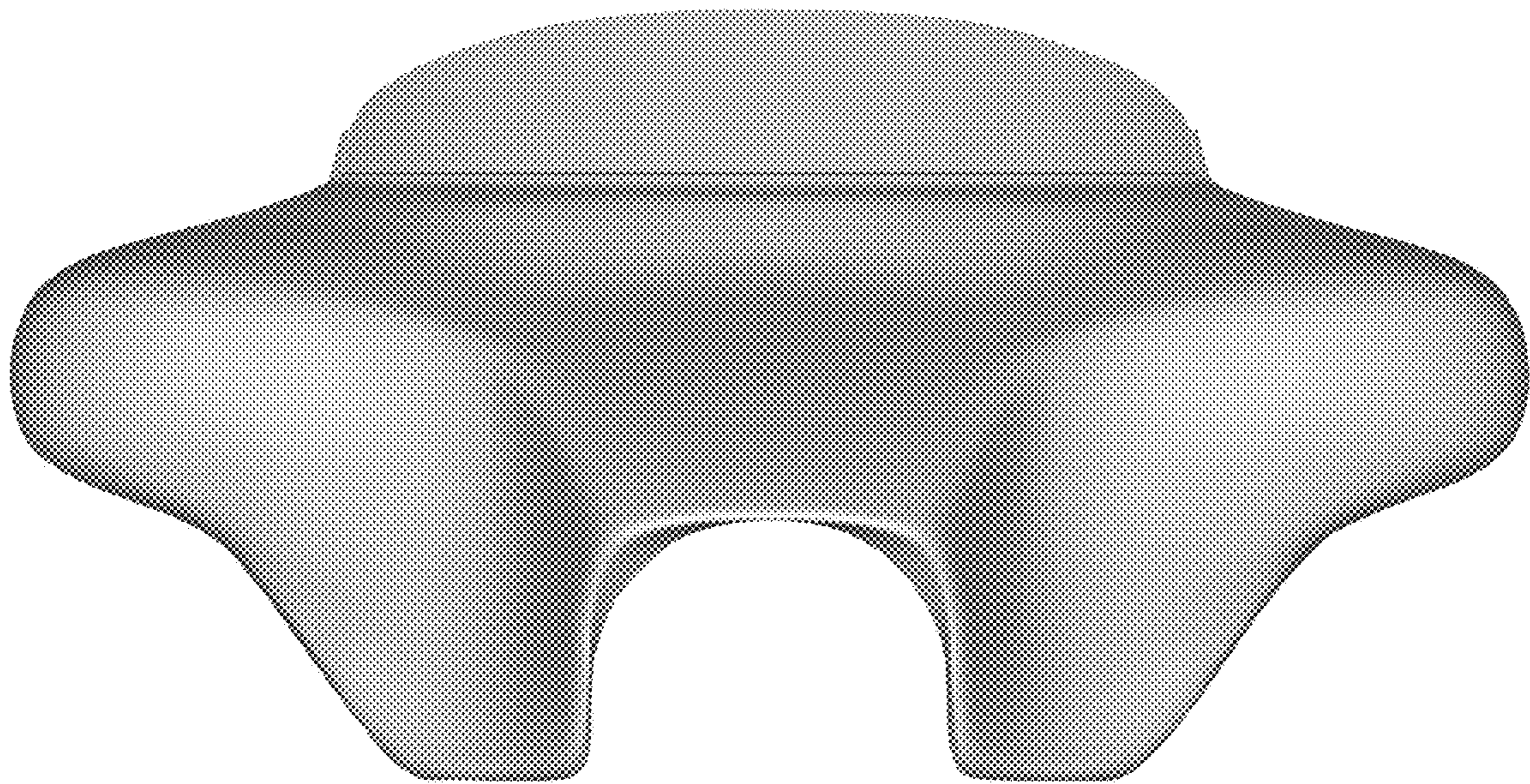


Fig.4

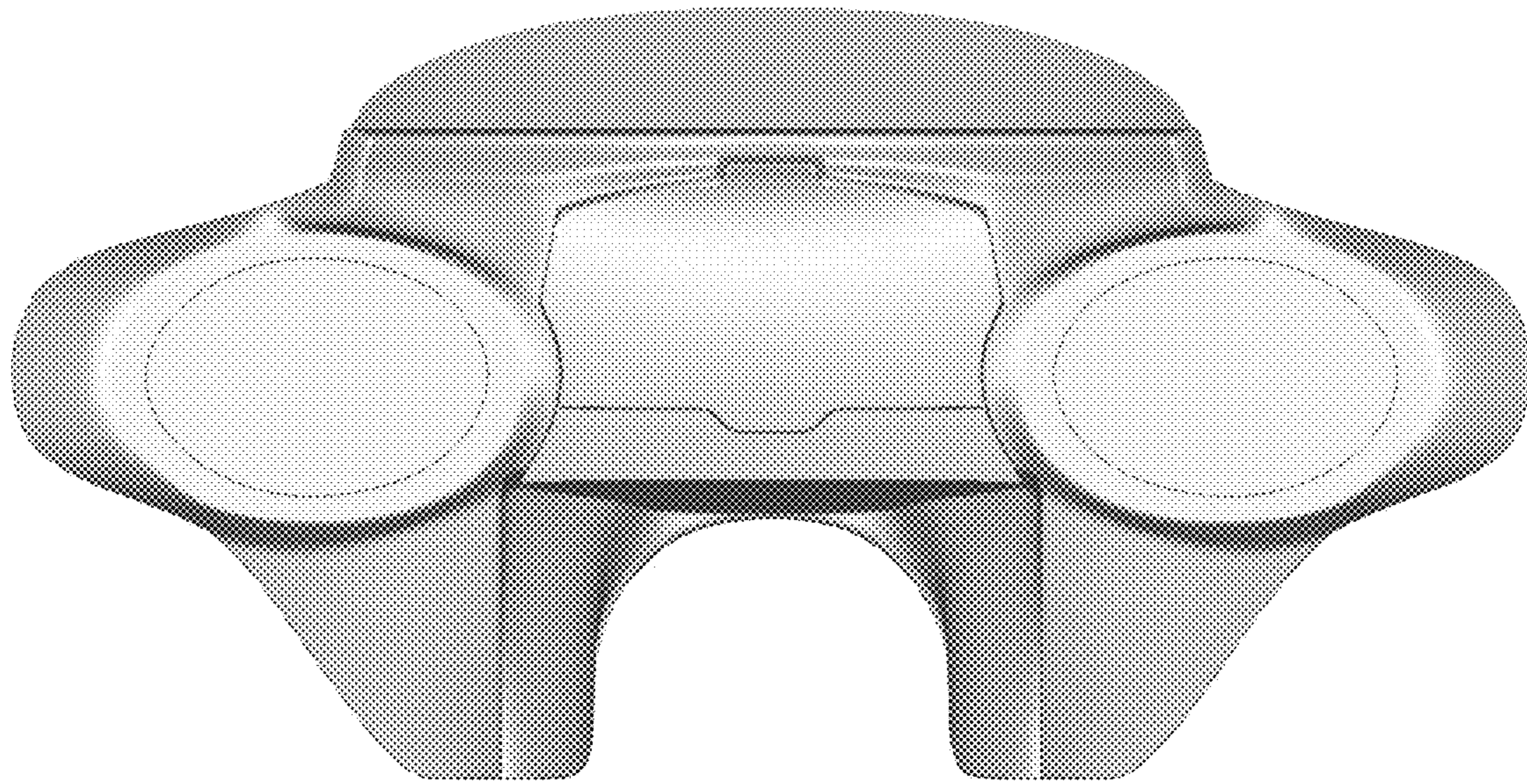


Fig.5

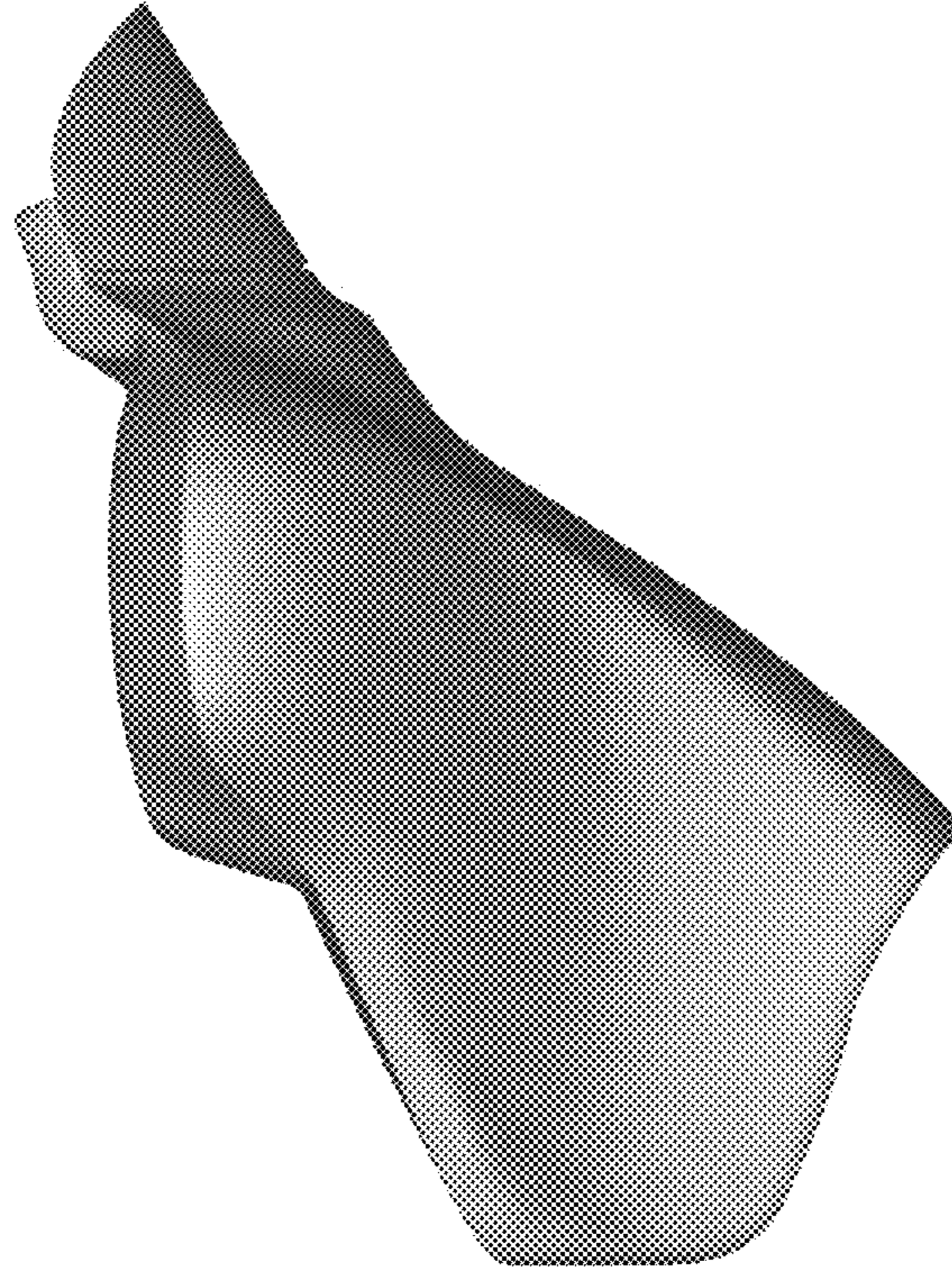


Fig.6

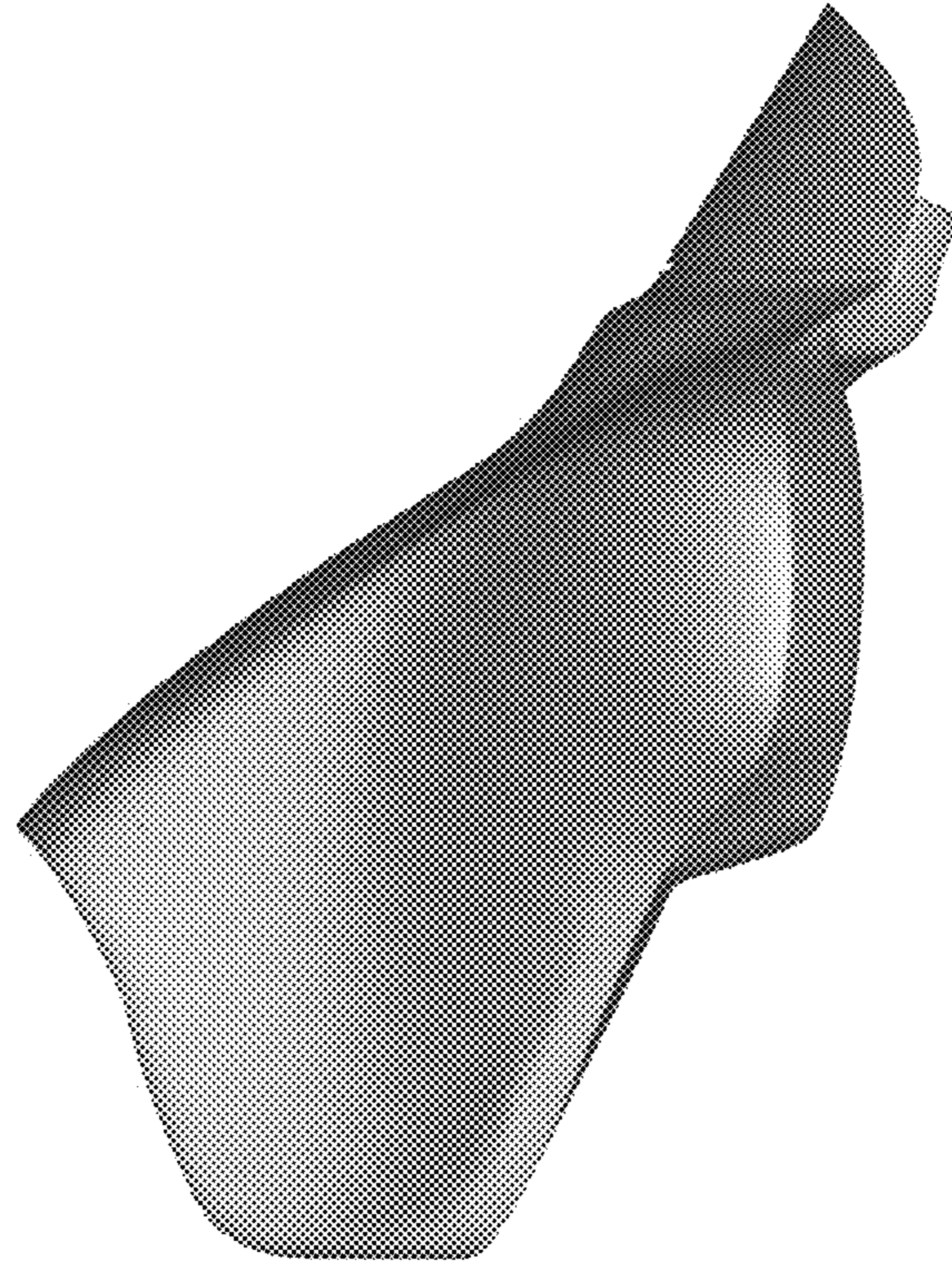


Fig.7



Fig.8

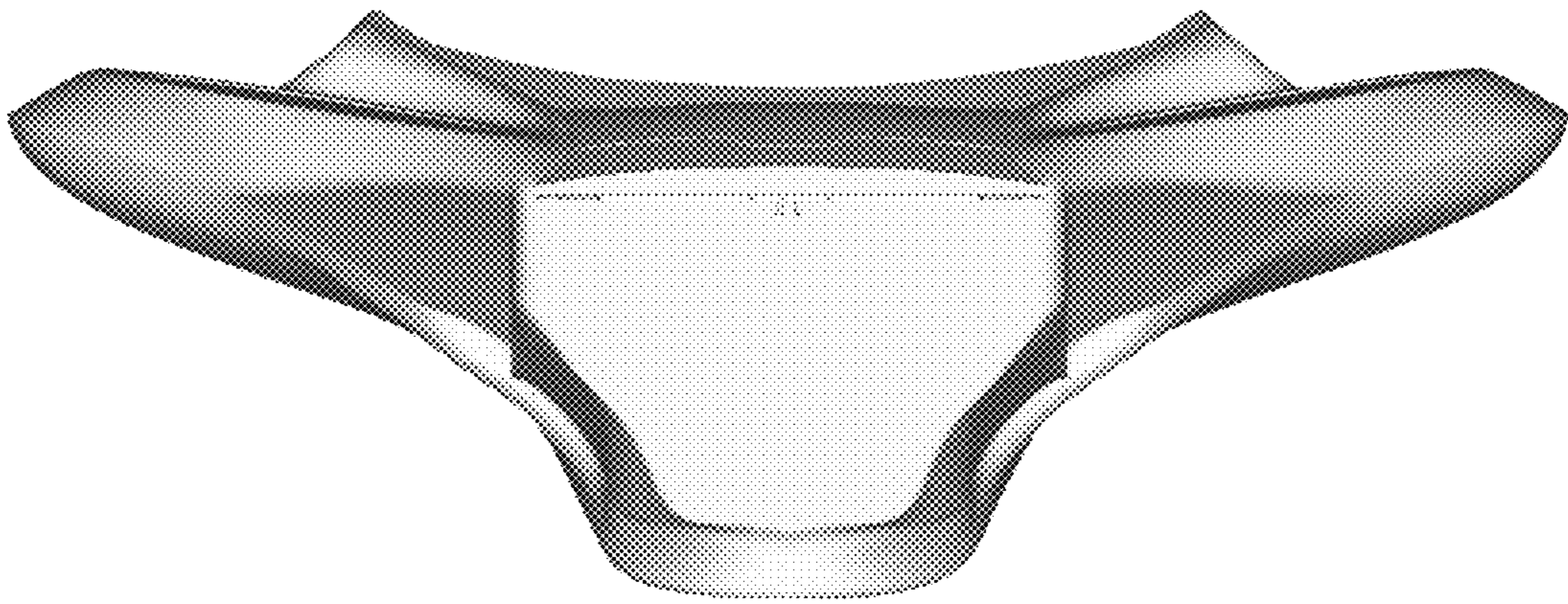


Fig.9