



US00D808866S

(12) **United States Design Patent**  
**Zhukov**

(10) **Patent No.:** **US D808,866 S**  
(45) **Date of Patent:** **\*\* Jan. 30, 2018**

(54) **MOTORCYCLE, TOY, AND/OR REPLICAS THEREOF**

(71) Applicant: **Bayerische Motoren Werke Aktiengesellschaft, Munich (DE)**

(72) Inventor: **Evgeny Zhukov, Munich (DE)**

(73) Assignee: **Bayerische Motoren Werke Aktiengesellschaft, Munich (DE)**

(\*\*) Term: **15 Years**

(21) Appl. No.: **29/585,755**

(22) Filed: **Nov. 29, 2016**

(30) **Foreign Application Priority Data**

May 31, 2016 (DE) ..... 40 2016 100 680

(51) **LOC (11) Cl.** ..... **12-11**

(52) **U.S. Cl.**  
USPC ..... **D12/110**

(58) **Field of Classification Search**  
USPC ..... D12/110, 111, 112, 114, 117, 119  
CPC ... B62K 3/00; B62K 3/02; B62K 5/00; B62K 5/003; B62K 5/007; B62K 5/01; B62K 11/00; B62K 11/02; B62K 11/04; B62K 15/00; B62K 2202/00; B62K 1/04; B62K 19/00

See application file for complete search history.

(56) **References Cited**

**U.S. PATENT DOCUMENTS**

4,265,329 A \* 5/1981 de Cortanze ..... B62K 11/00 180/219  
D482,638 S \* 11/2003 Pedone ..... D12/110

D491,109 S \* 6/2004 Walters ..... D12/110  
7,322,592 B2 \* 1/2008 Francis ..... B62K 19/00 280/152.2  
D611,881 S \* 3/2010 Toriyama ..... D12/110  
D618,596 S \* 6/2010 Song ..... D12/110  
D666,529 S \* 9/2012 Renner ..... D12/110  
D669,823 S \* 10/2012 Uibomae ..... D12/110  
D682,742 S \* 5/2013 Marazzi ..... D12/110  
D696,610 S \* 12/2013 Aube ..... D12/110  
2006/0037797 A1 \* 2/2006 Mathon ..... B62K 11/04 180/219  
2007/0151789 A1 \* 7/2007 Bracy ..... B62K 11/04 180/219  
2013/0299265 A1 \* 11/2013 Marazzi ..... B60K 1/04 180/220

\* cited by examiner

*Primary Examiner* — Karen S Acker

*Assistant Examiner* — Jerry Shiuan-Hua Hsu

(74) *Attorney, Agent, or Firm* — Crowell & Moring LLP

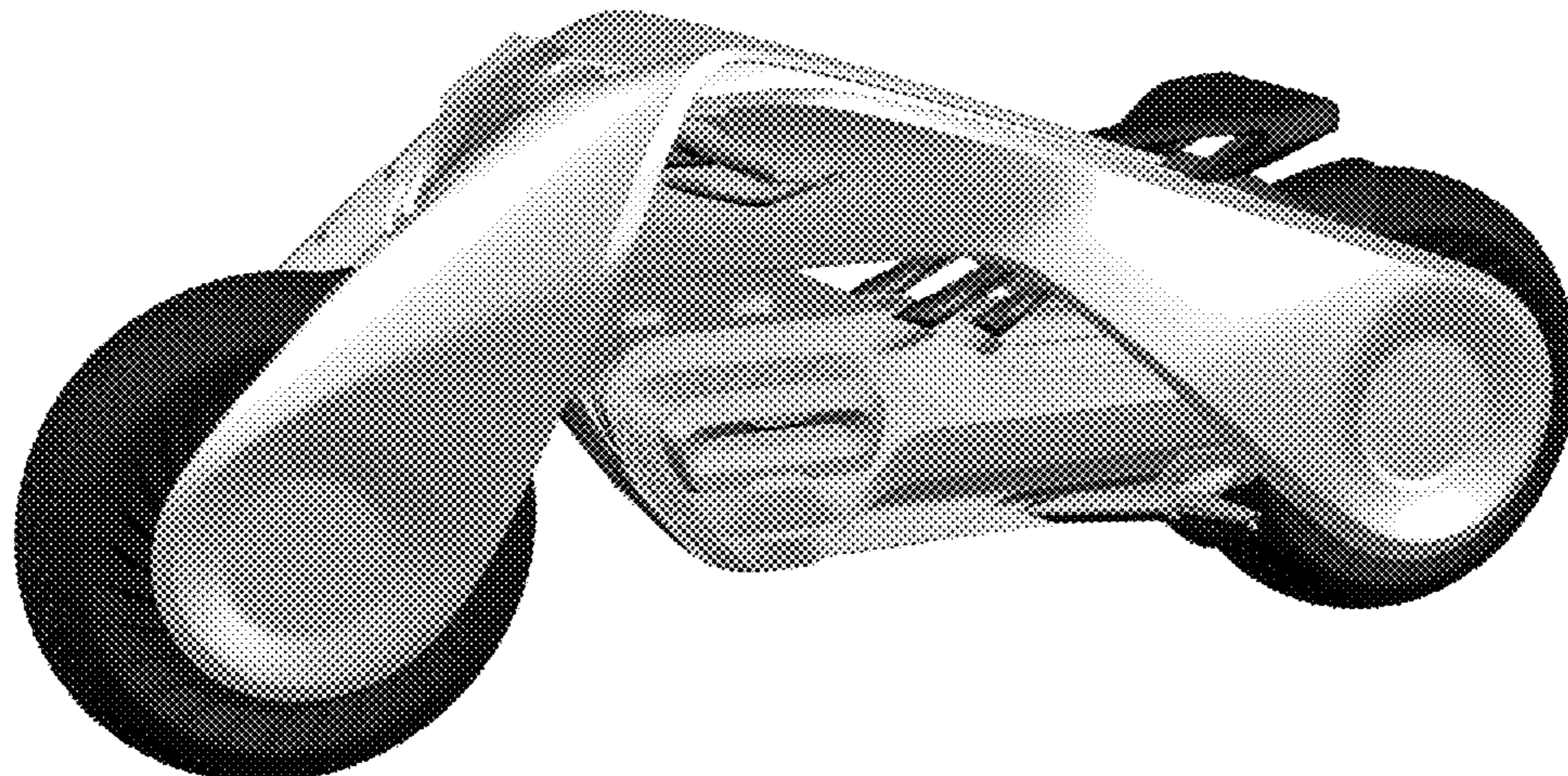
(57) **CLAIM**

The ornamental design for a motorcycle, toy, and/or replicas thereof, as shown and described.

**DESCRIPTION**

FIG. 1 is a left, front perspective view of a motorcycle, toy, and/or replicas thereof according to the design;  
FIG. 2 is a left side view thereof;  
FIG. 3 is a right side view thereof;  
FIG. 4 is a front view thereof;  
FIG. 5 is a rear view thereof;  
FIG. 6 is a top view thereof; and,  
FIG. 7 is a bottom view thereof.

**1 Claim, 7 Drawing Sheets**



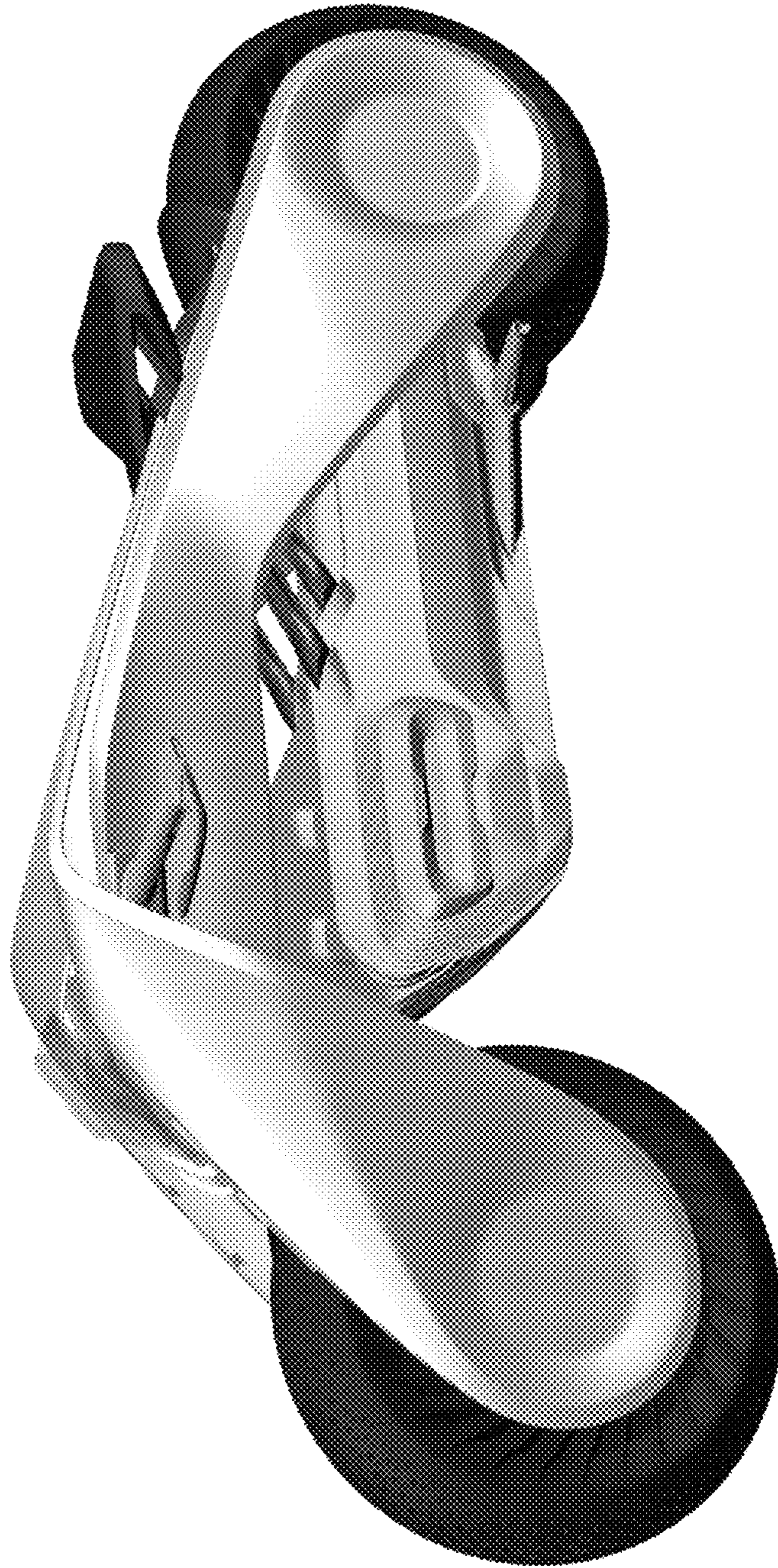


Fig. 1



Fig. 2

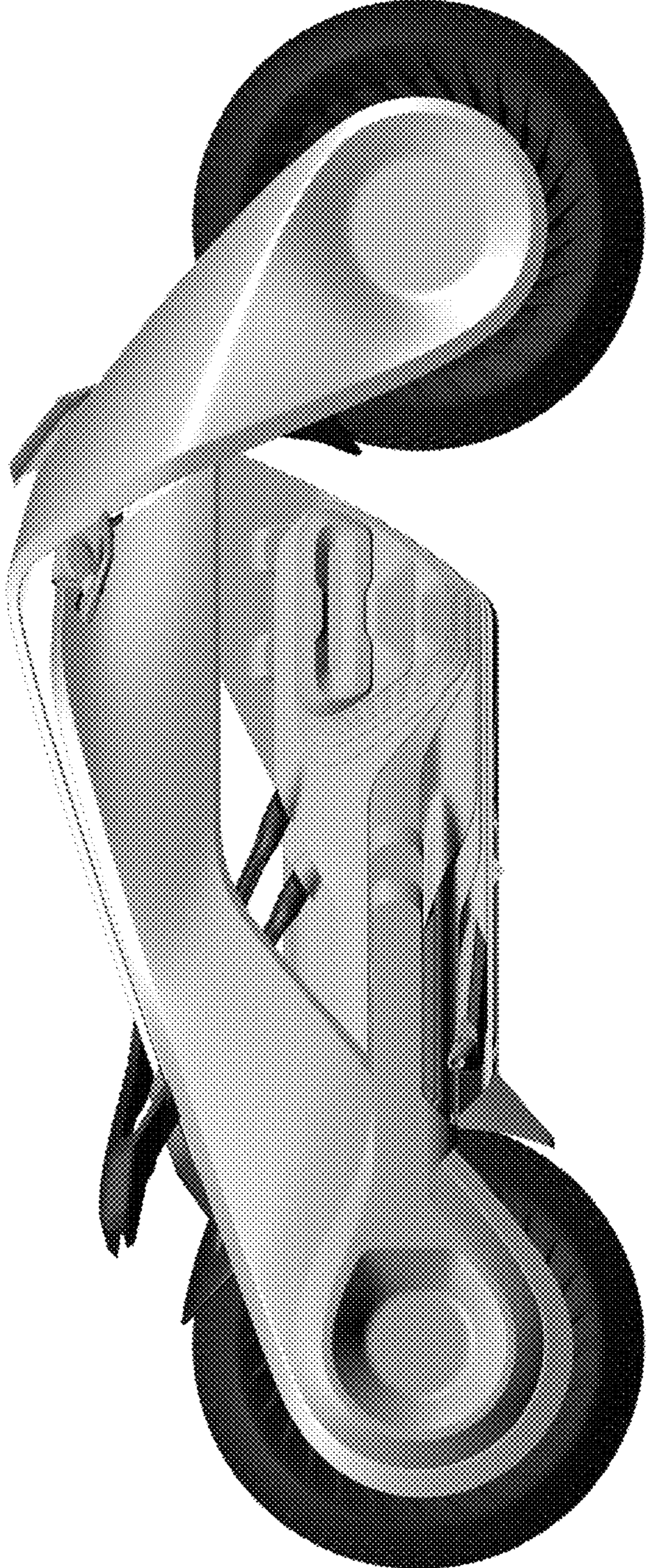


Fig. 3

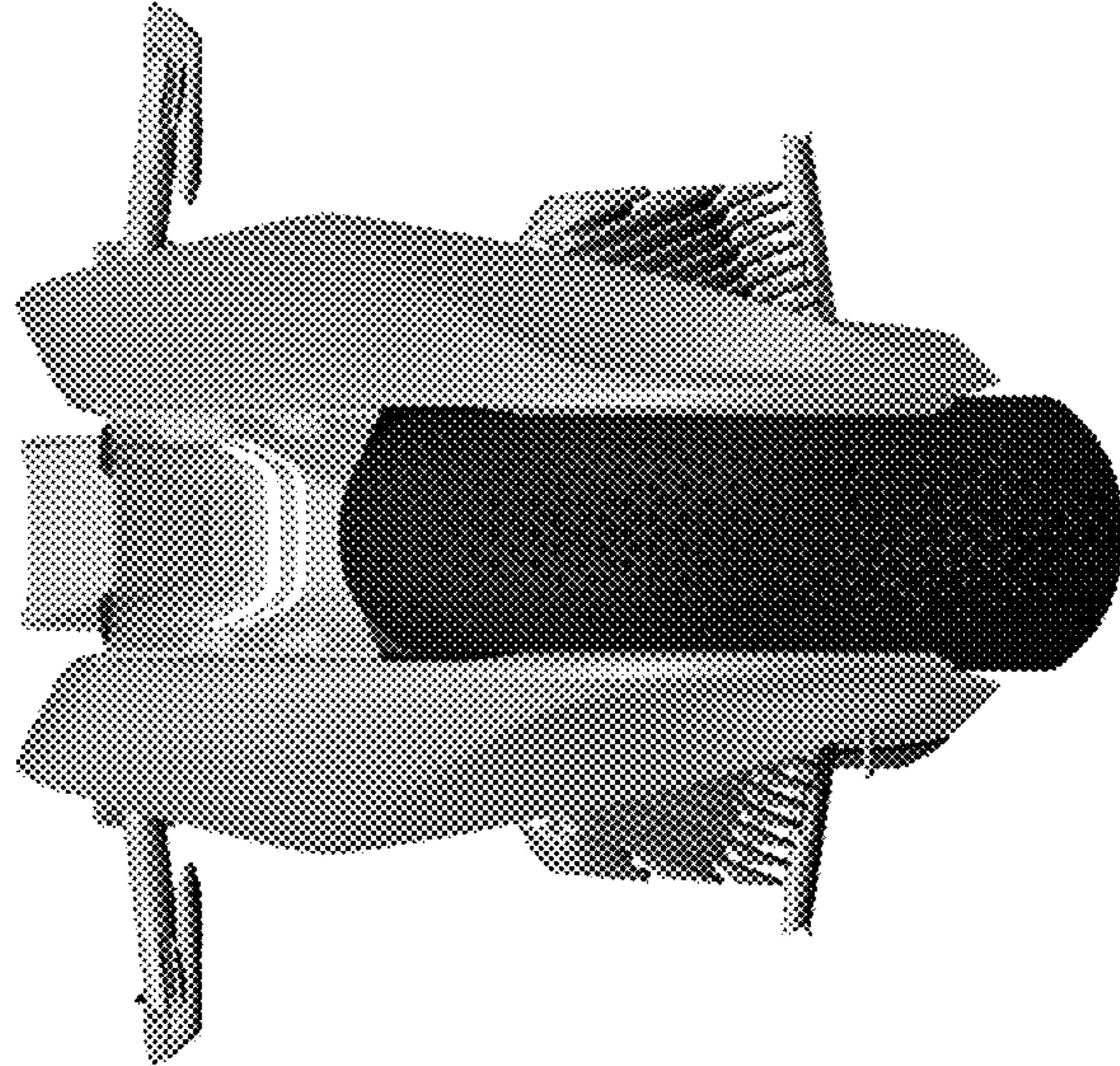


Fig. 4

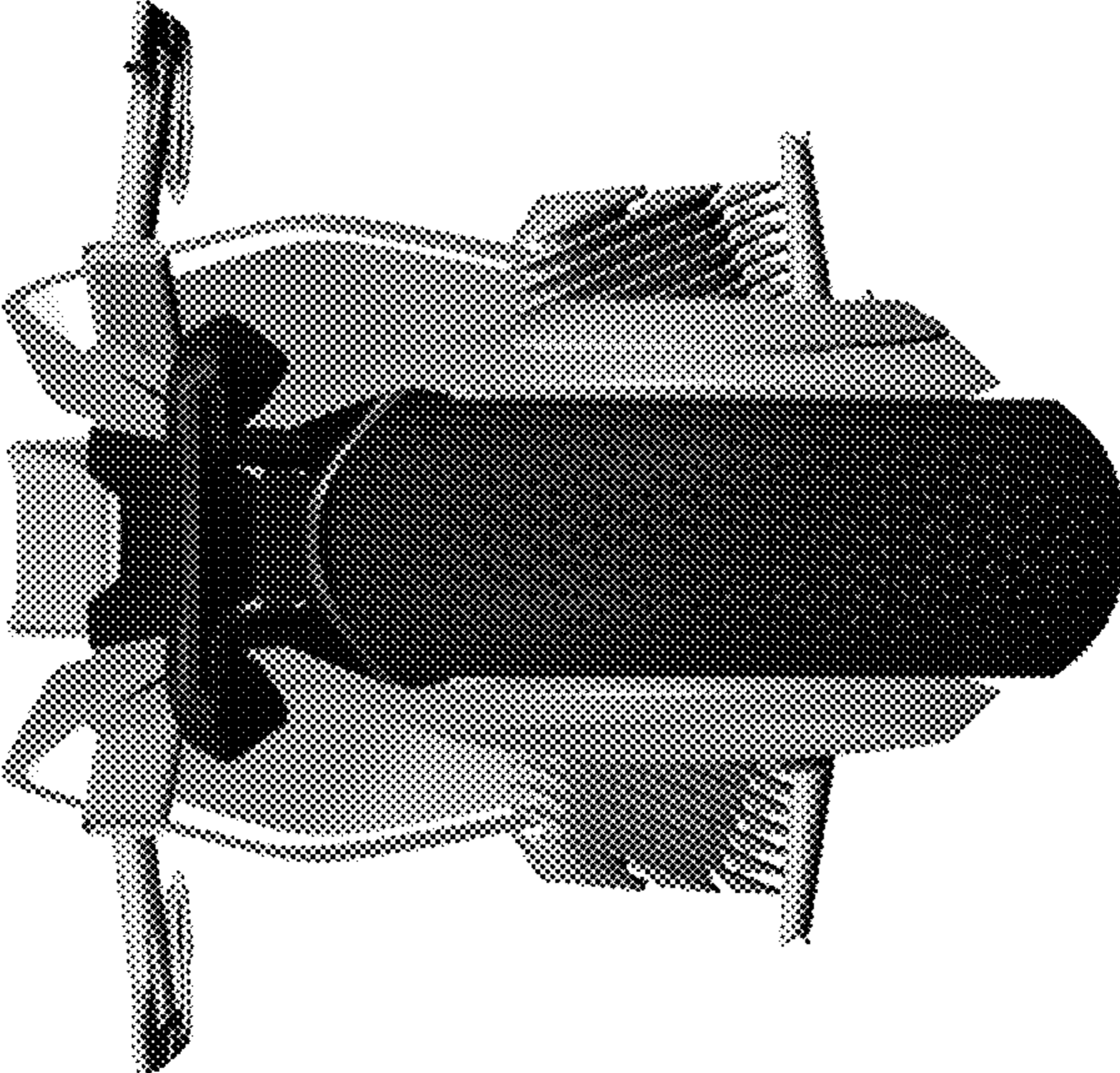


Fig. 5

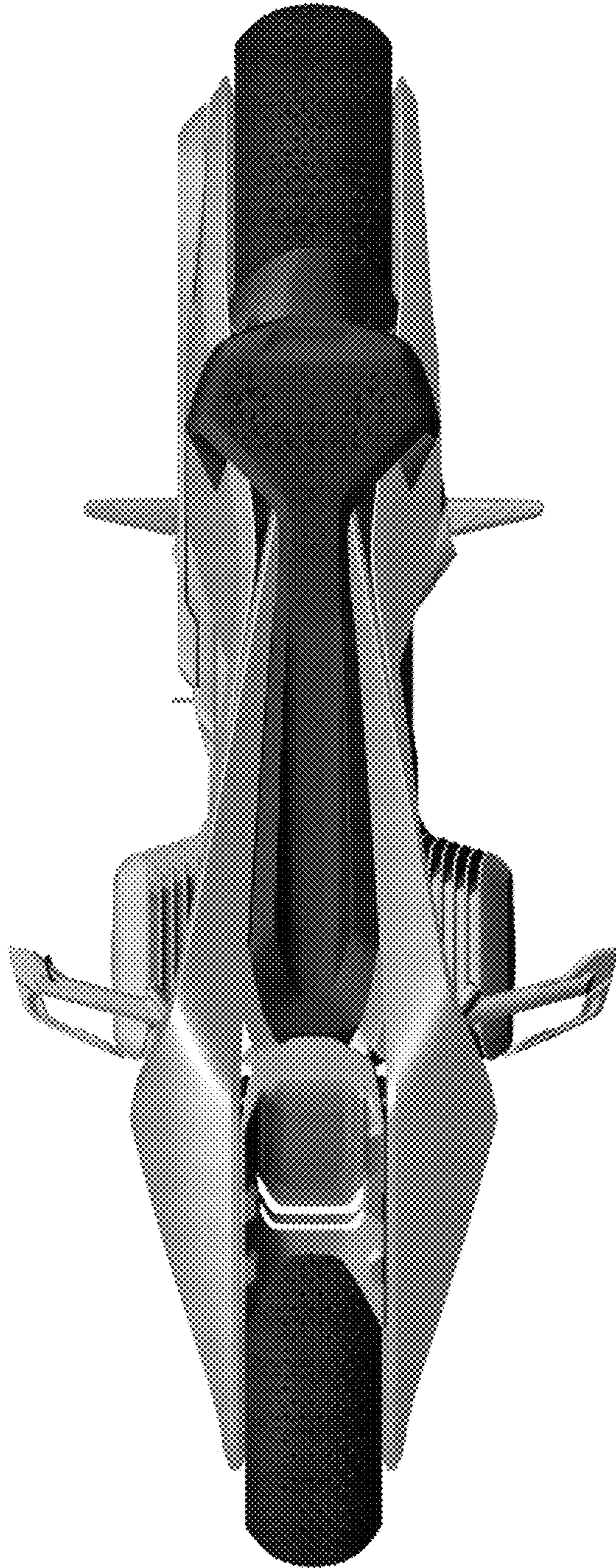


Fig. 6

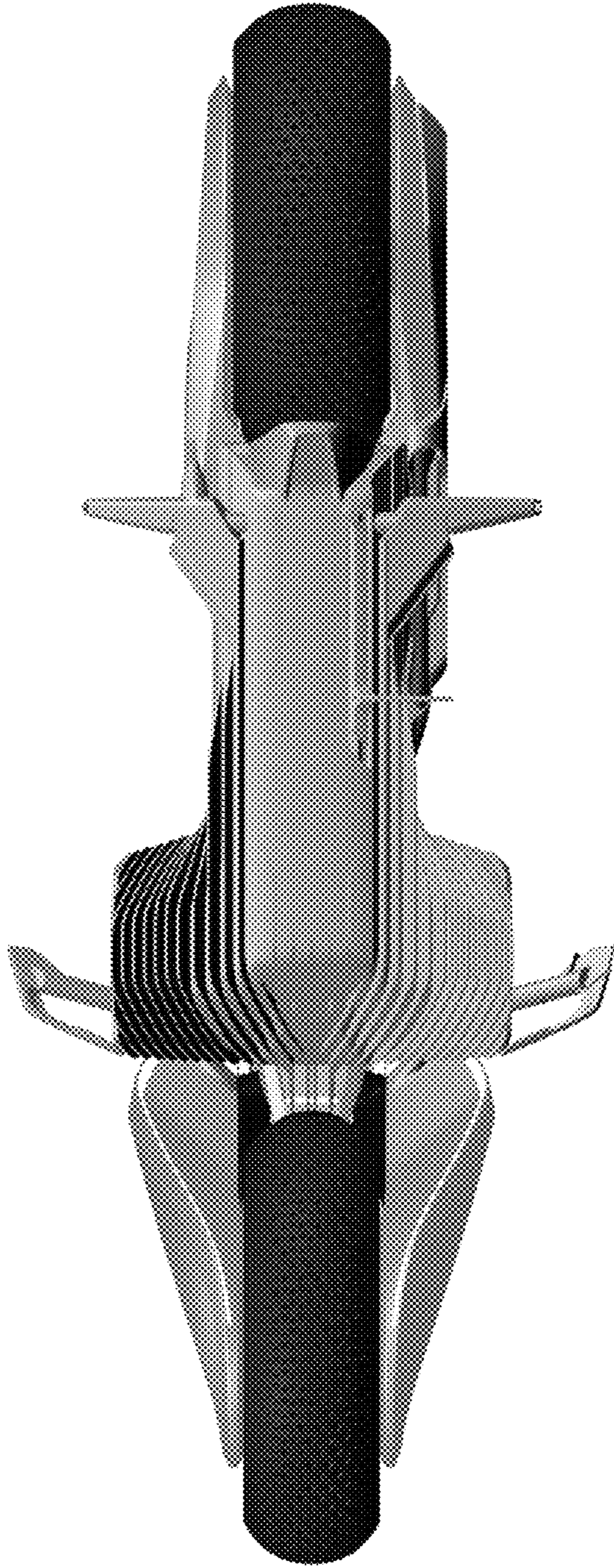


Fig. 7