



US00D808865S

(12) **United States Design Patent**  
**Kamitani**

(10) **Patent No.:** **US D808,865 S**

(45) **Date of Patent:** **\*\* Jan. 30, 2018**

(54) **MOTORCYCLE**

(71) Applicant: **Frederic Dandault Kamitani**, Tokyo-to (JP)

(72) Inventor: **Frederic Dandault Kamitani**, Tokyo-to (JP)

(73) Assignee: **YAMAHA HATSUDOKI KABUSHIKI KAISHA** (JP)

(\*\*) Term: **15 Years**

(21) Appl. No.: **29/582,538**

(22) Filed: **Oct. 28, 2016**

(30) **Foreign Application Priority Data**

Apr. 28, 2016 (JP) ..... 2016-009382

(51) **LOC (11) Cl.** ..... **12-11**

(52) **U.S. Cl.**  
USPC ..... **D12/110**

(58) **Field of Classification Search**

USPC ..... D12/110, 111, 112, 114, 117, 119  
CPC ... B62K 3/00; B62K 3/02; B62K 5/00; B62K 5/003; B62K 5/007; B62K 5/01; B62K 11/00; B62K 11/02; B62K 11/04; B62K 15/00; B62K 2202/00; B62J 23/00; B62J 17/00; B62J 17/02

See application file for complete search history.

(56) **References Cited**

**U.S. PATENT DOCUMENTS**

D531,090 S \* 10/2006 Iimura ..... D12/110  
D531,091 S \* 10/2006 Iimura ..... D12/110

D689,406 S \* 9/2013 Yasuhara ..... D12/110  
D693,275 S \* 11/2013 Murakami ..... D12/110  
D715,696 S \* 10/2014 Sasanami ..... D12/110  
D744,905 S \* 12/2015 Shibuta ..... D12/110  
D758,925 S \* 6/2016 Tamura ..... D12/110  
D782,368 S \* 3/2017 Fujimoto ..... D12/110  
2003/0132048 A1 \* 7/2003 Hata ..... B62J 17/00  
180/219  
2006/0266572 A1 \* 11/2006 Iwanaga ..... B62J 23/00  
180/225  
2012/0043150 A1 \* 2/2012 Miyazaki ..... B62J 17/02  
180/229  
2016/0368369 A1 \* 12/2016 Nakayama ..... B62J 17/00  
2017/0088215 A1 \* 3/2017 Ohno ..... B62K 5/027

\* cited by examiner

*Primary Examiner* — Karen S Acker

*Assistant Examiner* — Jerry Shiu-an-Hua Hsu

(74) *Attorney, Agent, or Firm* — Ostrolenk Faber LLP

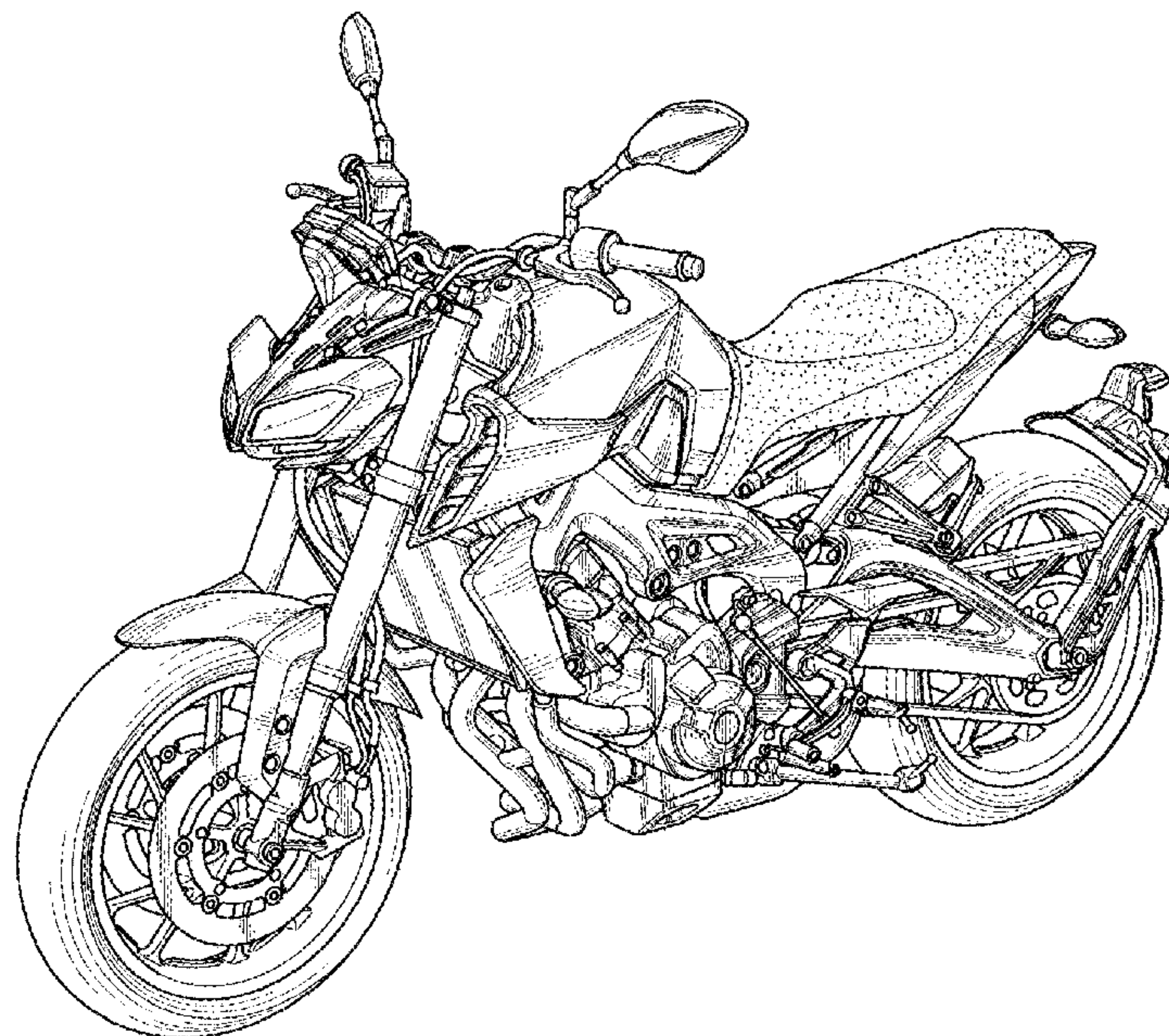
(57) **CLAIM**

The ornamental design for a motorcycle, as shown.

**DESCRIPTION**

FIG. 1 is a left side, front, perspective view of a motorcycle showing my new design;  
FIG. 2 is a right side, rear, perspective view thereof;  
FIG. 3 is a left side view thereof;  
FIG. 4 is a right side view thereof;  
FIG. 5 is a front view thereof;  
FIG. 6 is a rear view thereof;  
FIG. 7 is a top view thereof; and,  
FIG. 8 is a bottom view thereof.

**1 Claim, 8 Drawing Sheets**





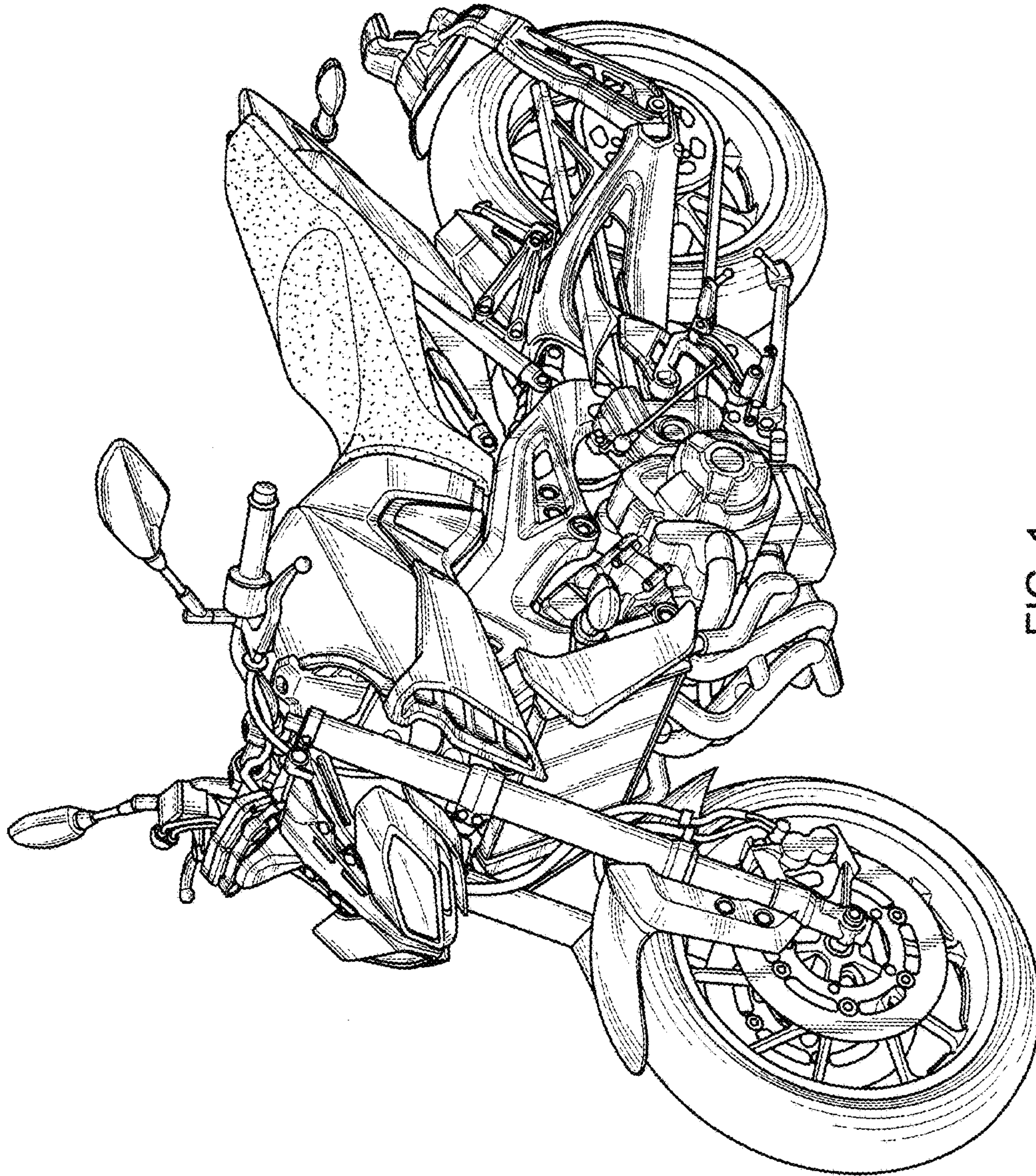


FIG. 1



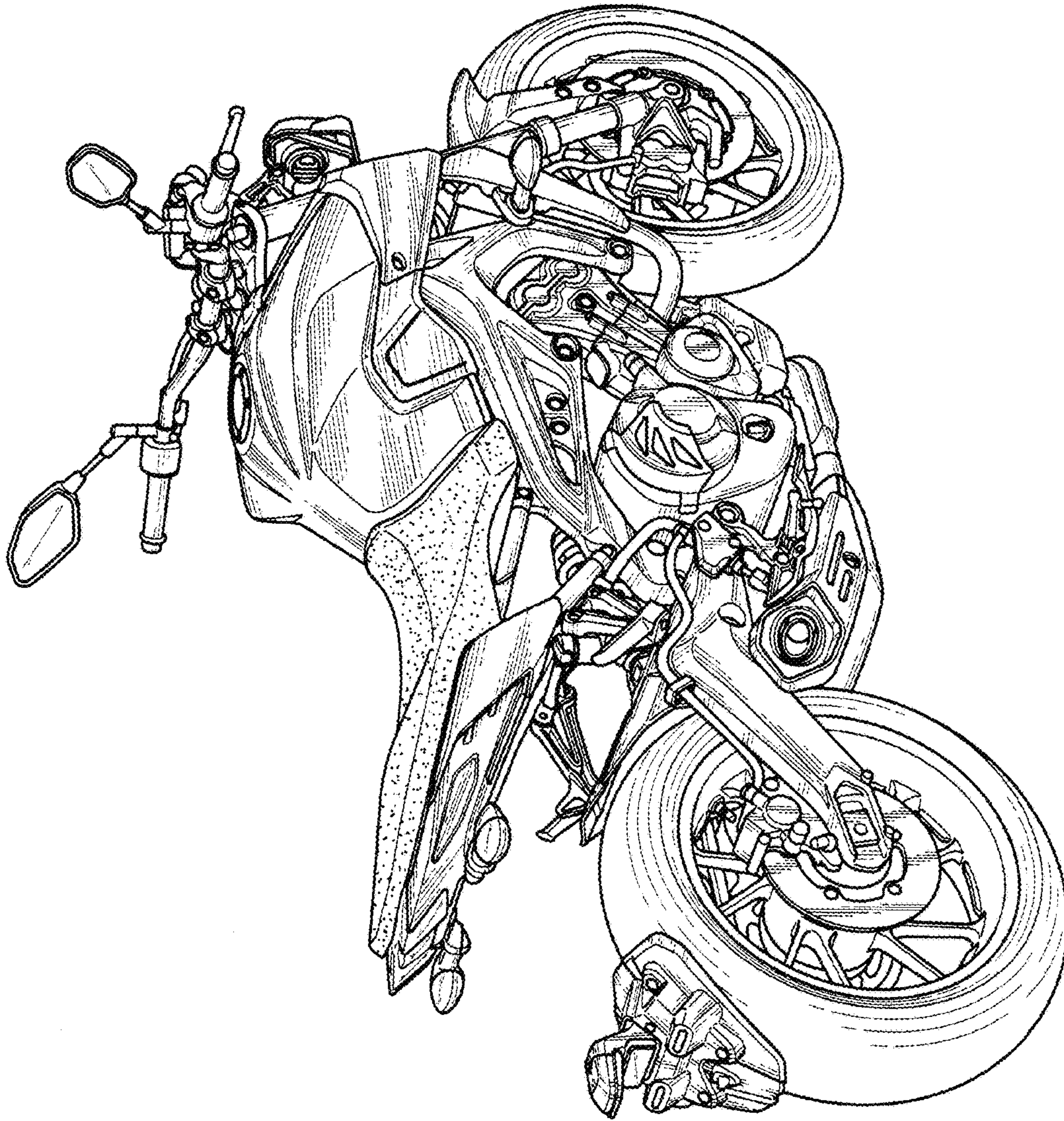


FIG. 2



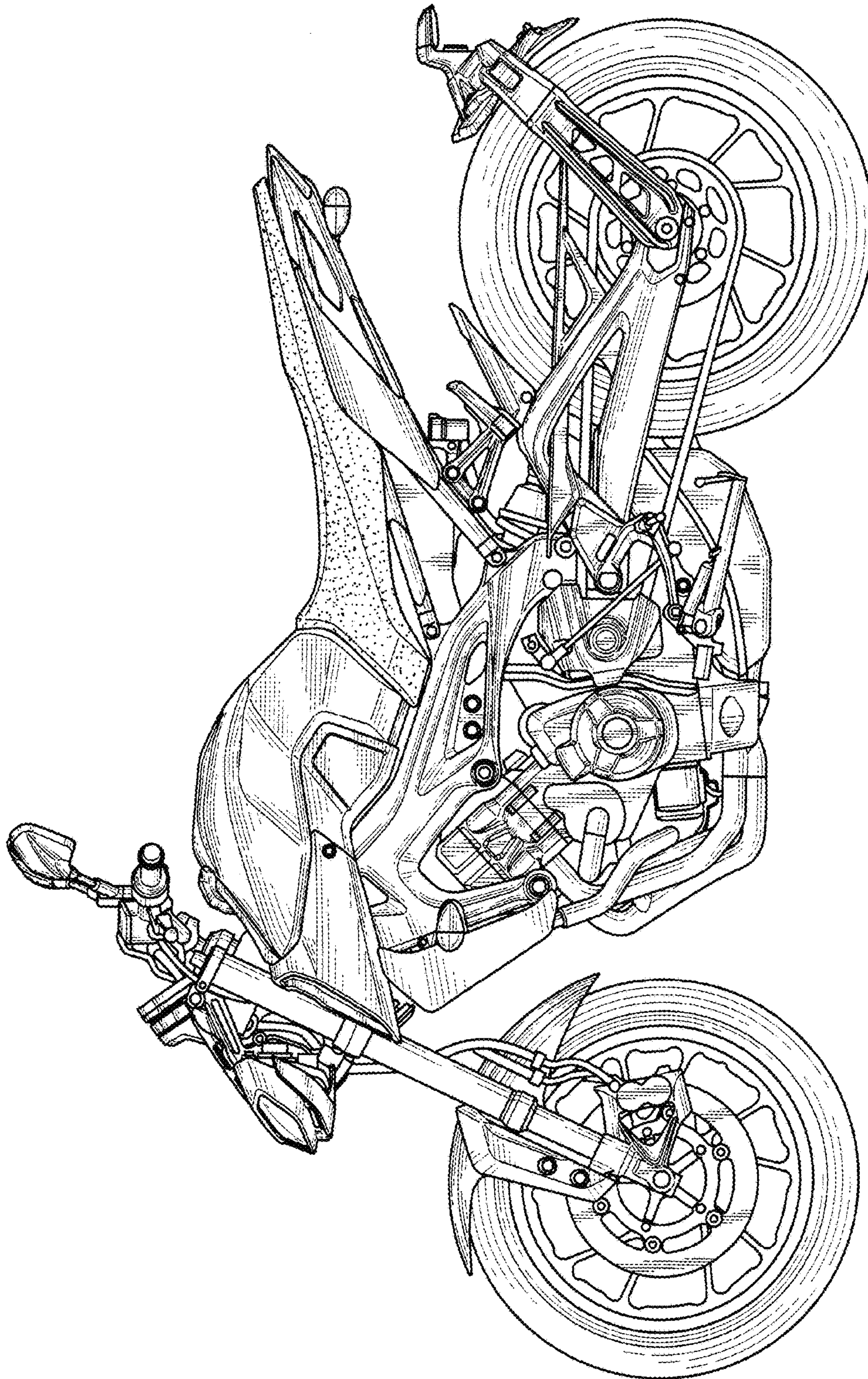


FIG. 3



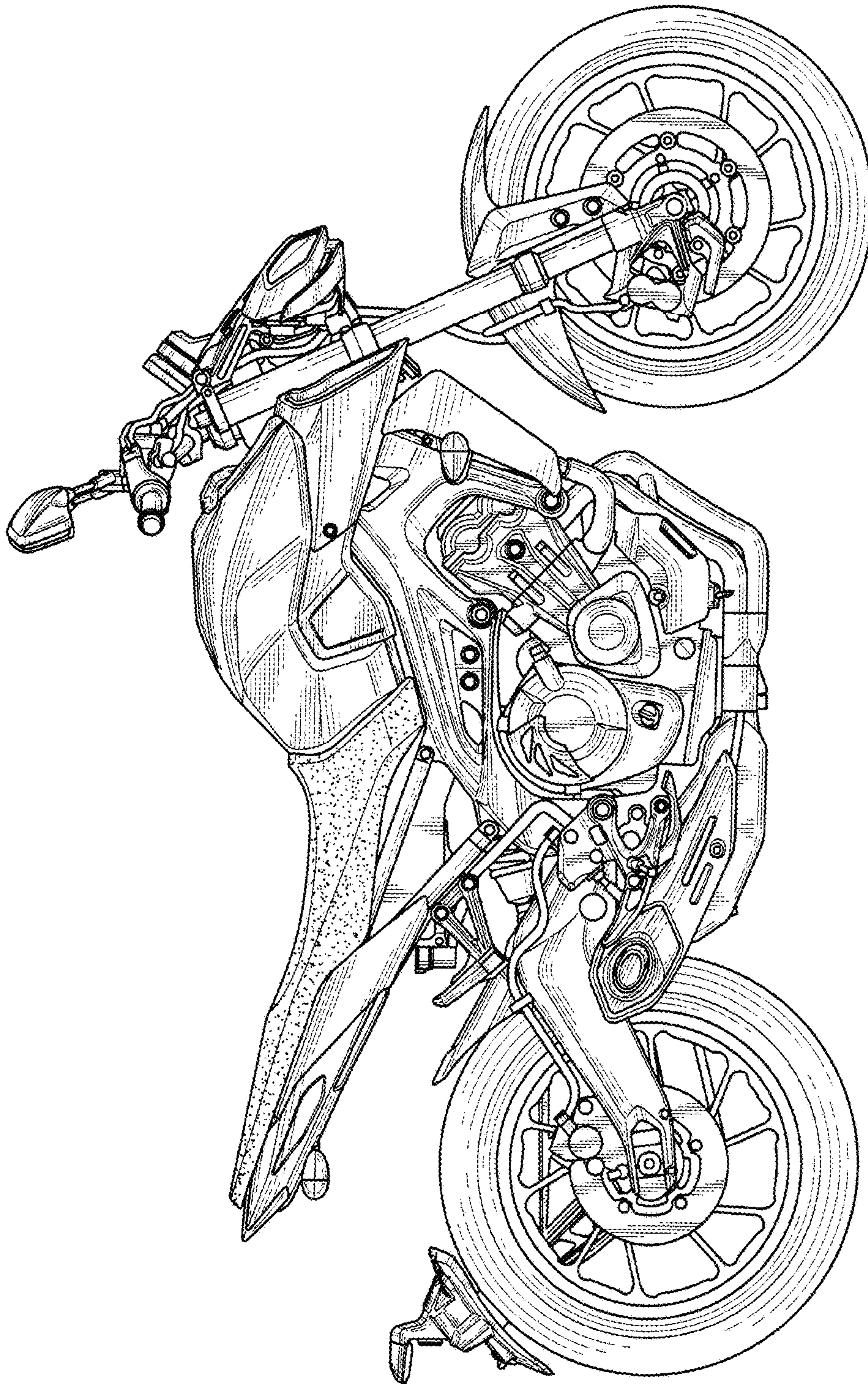


FIG. 4

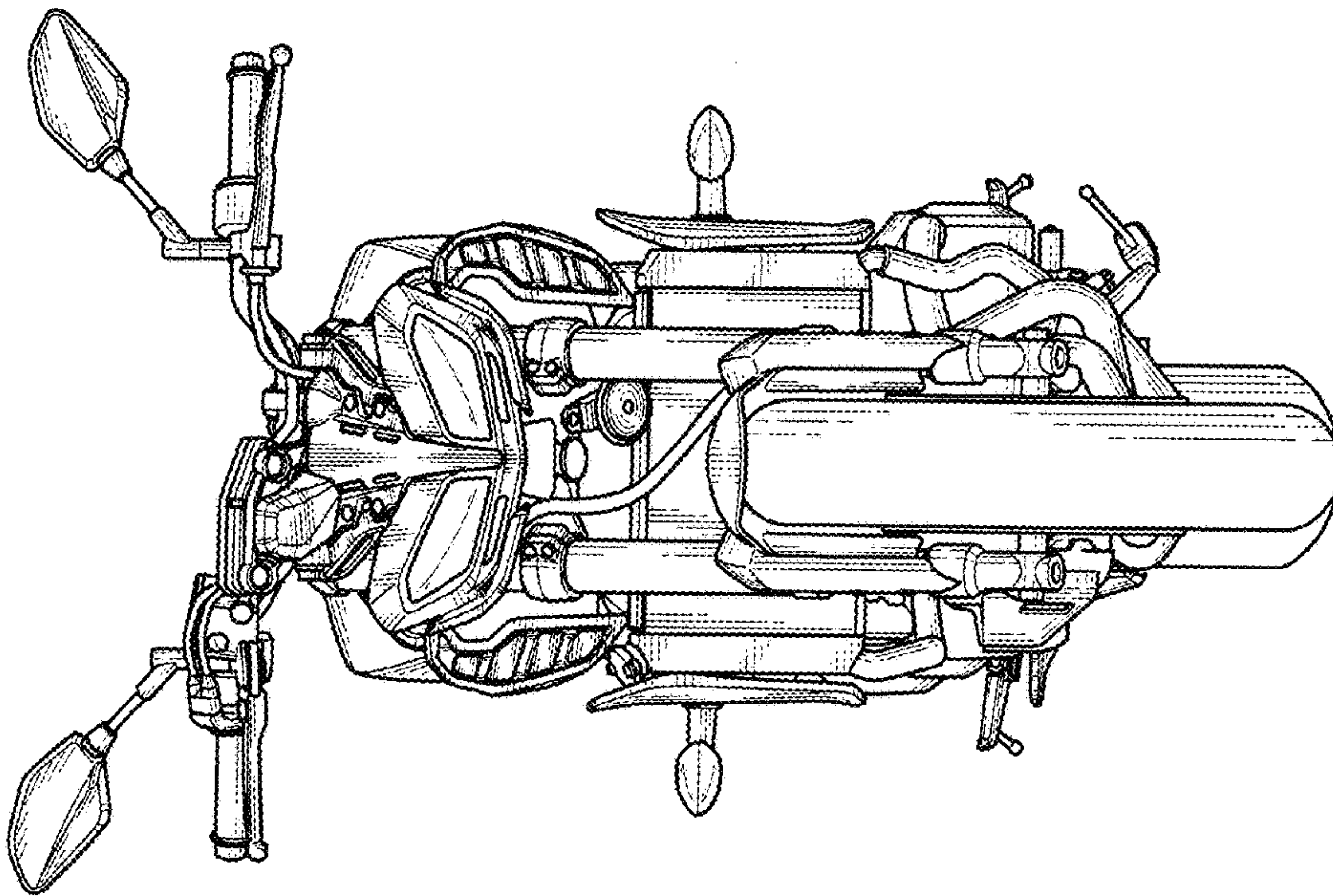


FIG. 5



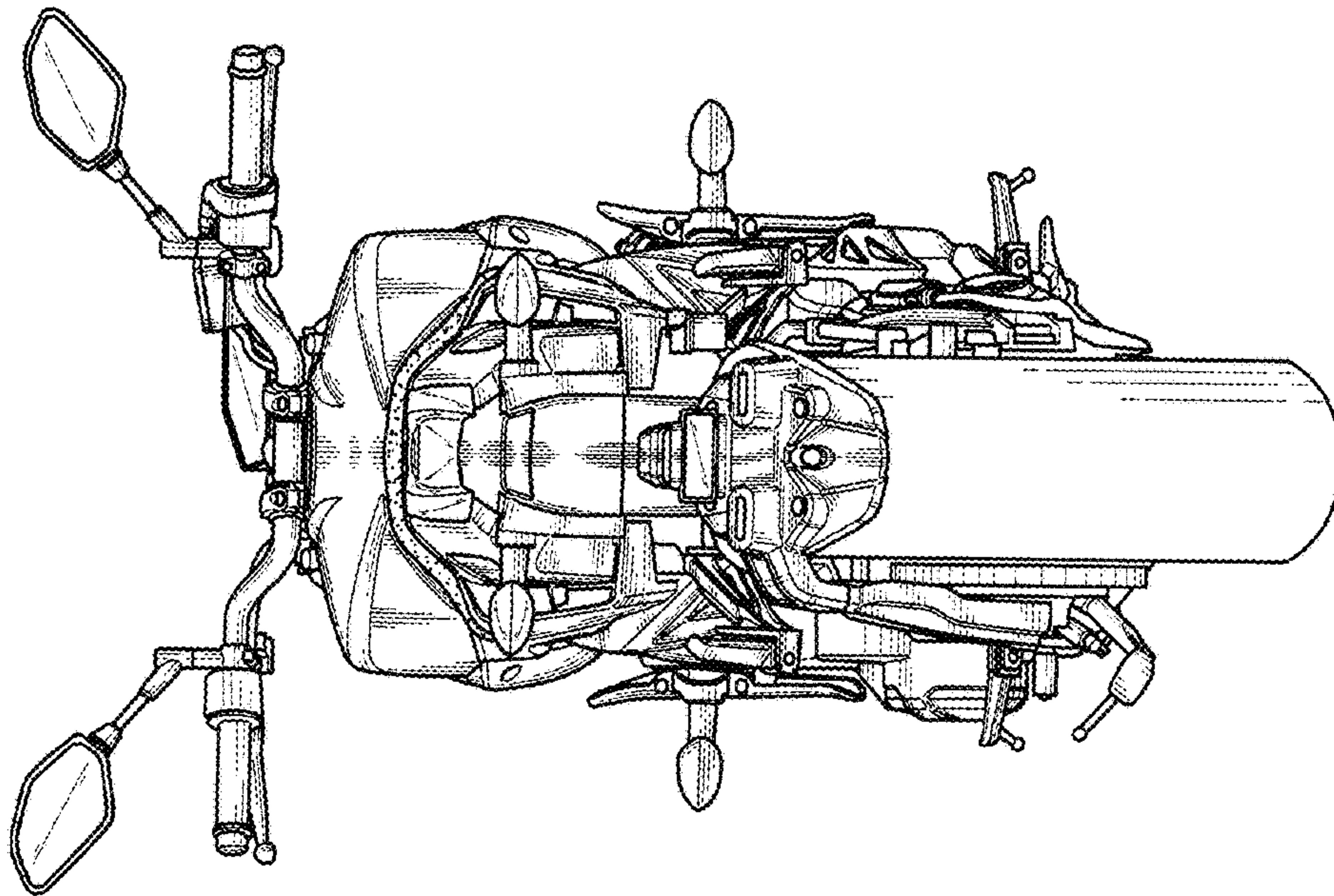


FIG. 6

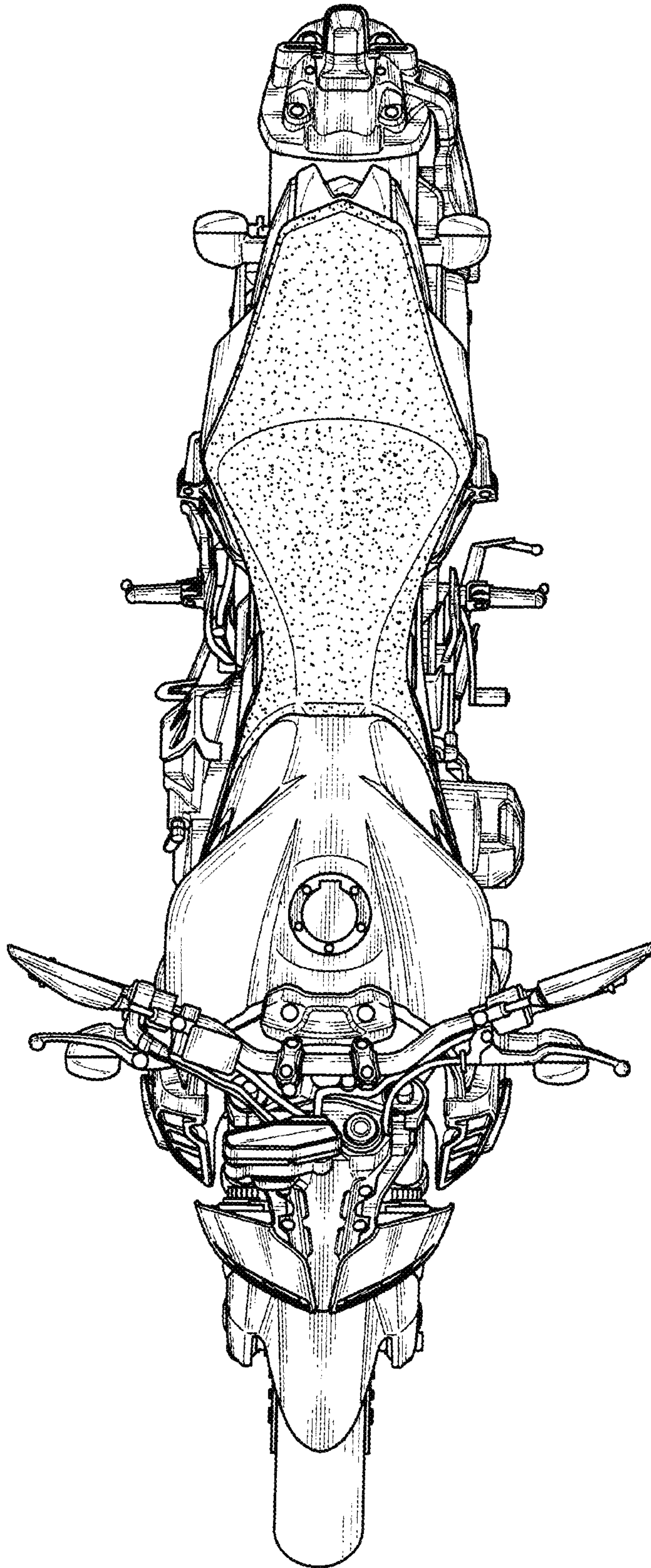


FIG. 7



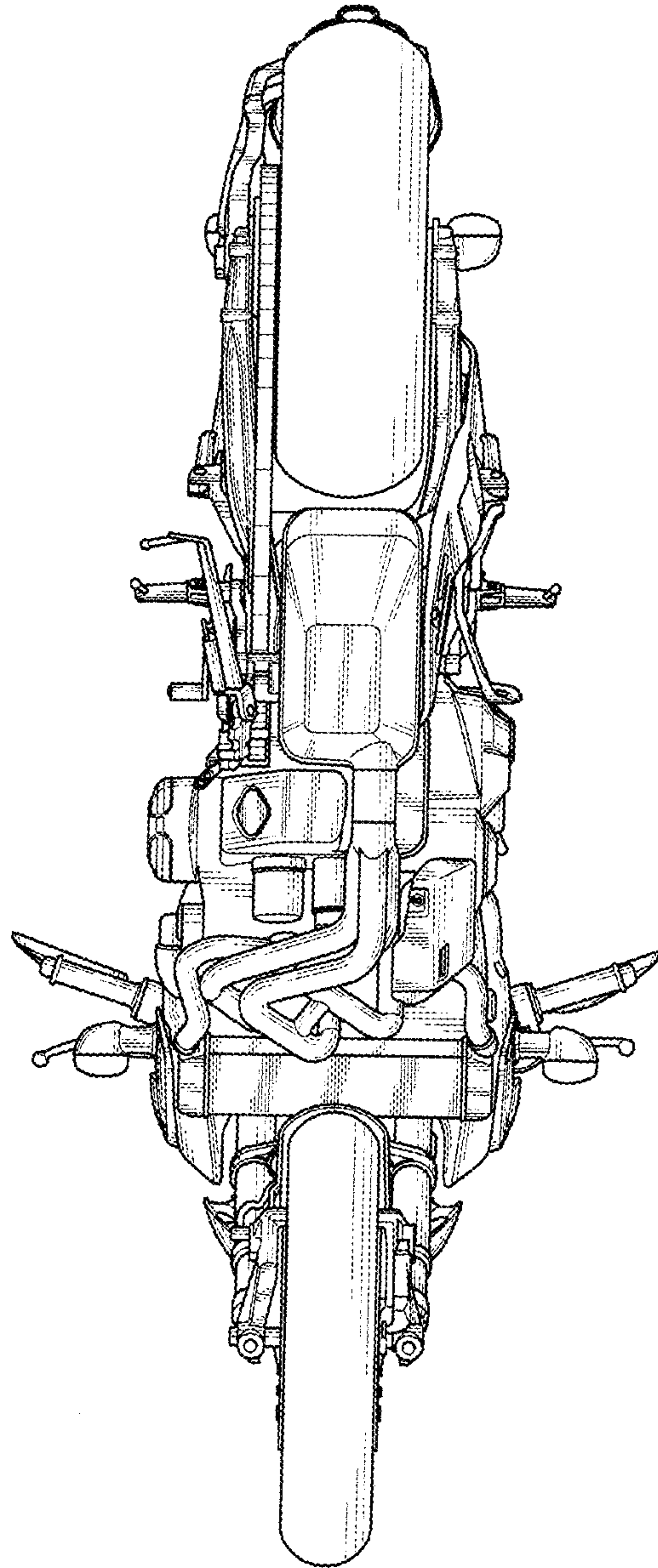


FIG. 8