



US00D808862S

(12) **United States Design Patent**
Ujhasi

(10) **Patent No.:** **US D808,862 S**
(45) **Date of Patent:** **** Jan. 30, 2018**

(54) **MOTOR VEHICLE, TOY AND/OR REPLICA**

(71) Applicant: **Dr. Ing. h. c. F. Porsche**
Aktiengesellschaft, Stuttgart (DE)

(72) Inventor: **Marco Ujhasi, Leonberg (DE)**

(73) Assignee: **Dr. Ing. h.c. F. Porsche**
Aktiengesellschaft, Stuttgart (DE)

(**) Term: **15 Years**

(21) Appl. No.: **29/578,482**

(22) Filed: **Sep. 22, 2016**

(30) **Foreign Application Priority Data**

Mar. 24, 2016 (DE) 40 2016 100 358

(51) **LOC (11) Cl.** **12-08**

(52) **U.S. Cl.**
USPC **D12/92**

(58) **Field of Classification Search**
USPC D12/86, 90-92, 88; D21/421, 433, 434;
296/181.1, 181.5
CPC B62D 35/00; B62D 25/00; B62D 25/06;
B62D 33/00
See application file for complete search history.

(56) **References Cited**

U.S. PATENT DOCUMENTS

D320,368 S	10/1991	Dimson
D327,039 S	6/1992	Dimson
D411,139 S	6/1999	Lai
D417,414 S	12/1999	Mobius
D436,061 S	1/2001	Mobius
D438,145 S	2/2001	Hatter
D468,238 S	1/2003	Bhambra
D497,327 S	10/2004	Lai
D507,207 S	7/2005	Larson
D507,510 S	7/2005	Larson
D512,341 S	12/2005	Larson

D528,056 S	9/2006	Lai
D547,240 S	7/2007	Kulla
D547,698 S	7/2007	Kulla
D549,614 S	8/2007	Kulla
D560,557 S	1/2008	Kulla
D589,403 S	3/2009	Saracoglu
D590,301 S	4/2009	Saracoglu
D605,560 S	12/2009	Kuila
D606,456 S	12/2009	Saracoglu
D606,902 S	12/2009	Saracoglu
D606,903 S	12/2009	Saracoglu
D607,779 S	1/2010	Kulla
D607,780 S	1/2010	Larson

(Continued)

OTHER PUBLICATIONS

Design U.S. Appl. No. 29/575,216, by Andreas Preuninger et al.,
filed Aug. 23, 2016.

(Continued)

Primary Examiner — Melody N Brown
(74) *Attorney, Agent, or Firm* — RatnerPrestia

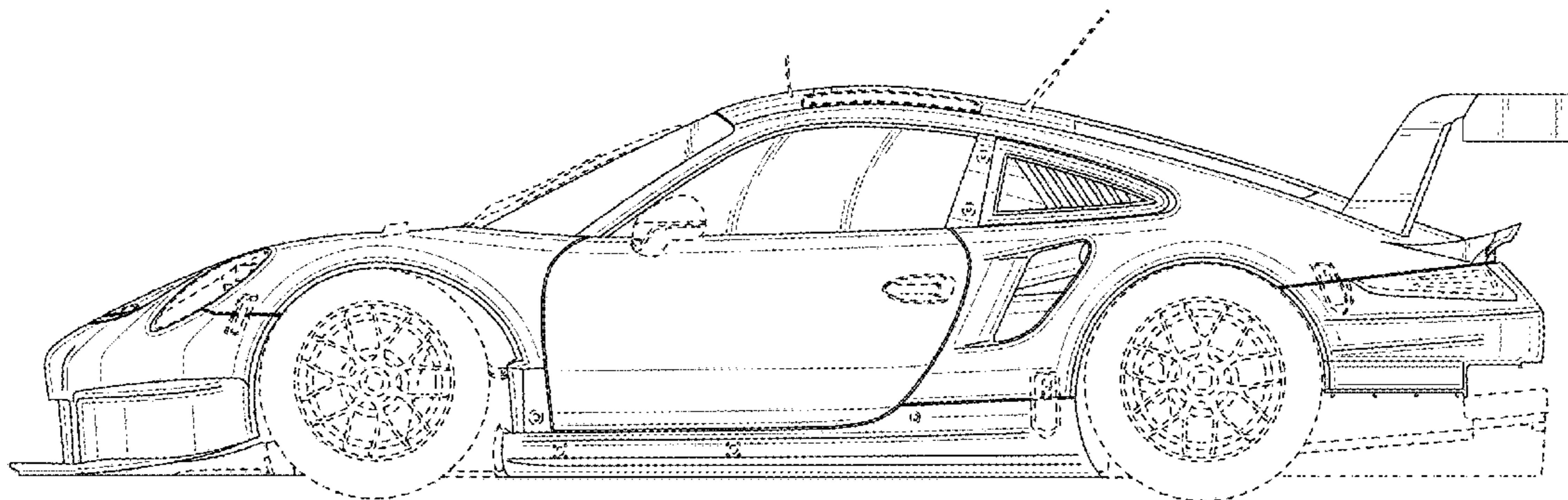
(57) **CLAIM**

The ornamental design for a motor vehicle, toy and/or
replica, as shown and described.

DESCRIPTION

FIG. 1 is a front elevation view of a motor vehicle, toy
and/or replica;
FIG. 2 is a rear elevation view thereof;
FIG. 3 is a right side elevation view thereof, the left side
elevation view being a substantial mirror image of the right
side elevation view; and,
FIG. 4 is a top plan view thereof.
The broken line showing of the motor vehicle, toy and/or
replica is for the purpose of illustrating portions of the motor
vehicle, toy and/or replica and forms no part of the claimed
design.

1 Claim, 4 Drawing Sheets



(56)

References Cited

U.S. PATENT DOCUMENTS

D610,488 S	2/2010	Kulla	
D623,557 S	9/2010	Kulla	
D641,665 S	7/2011	Larson	
D663,240 S	7/2012	Scheinhutte	
D669,001 S	10/2012	Varga	
D684,896 S	6/2013	Scheinhutte	
D701,146 S	3/2014	Varga	
D704,099 S	5/2014	Varga	
D705,131 S	5/2014	Larson	
D719,066 S	* 12/2014	Schramm	D12/92
D731,929 S	6/2015	Schramm	
D733,614 S	7/2015	Scheinhutte	
D753,023 S	4/2016	Villevoye	
D755,677 S	* 5/2016	Stopka	D12/92
D774,421 S	12/2016	Larson	
D797,607 S	* 9/2017	Preuninger	D12/92

OTHER PUBLICATIONS

Design U.S. Appl. No. 29/578,482, by Marco Ujhasi, filed Sep. 22, 2016.

Design U.S. Appl. No. 29/575,772, by Shuichi Yamashita, et al., filed Aug. 29, 2016.

* cited by examiner

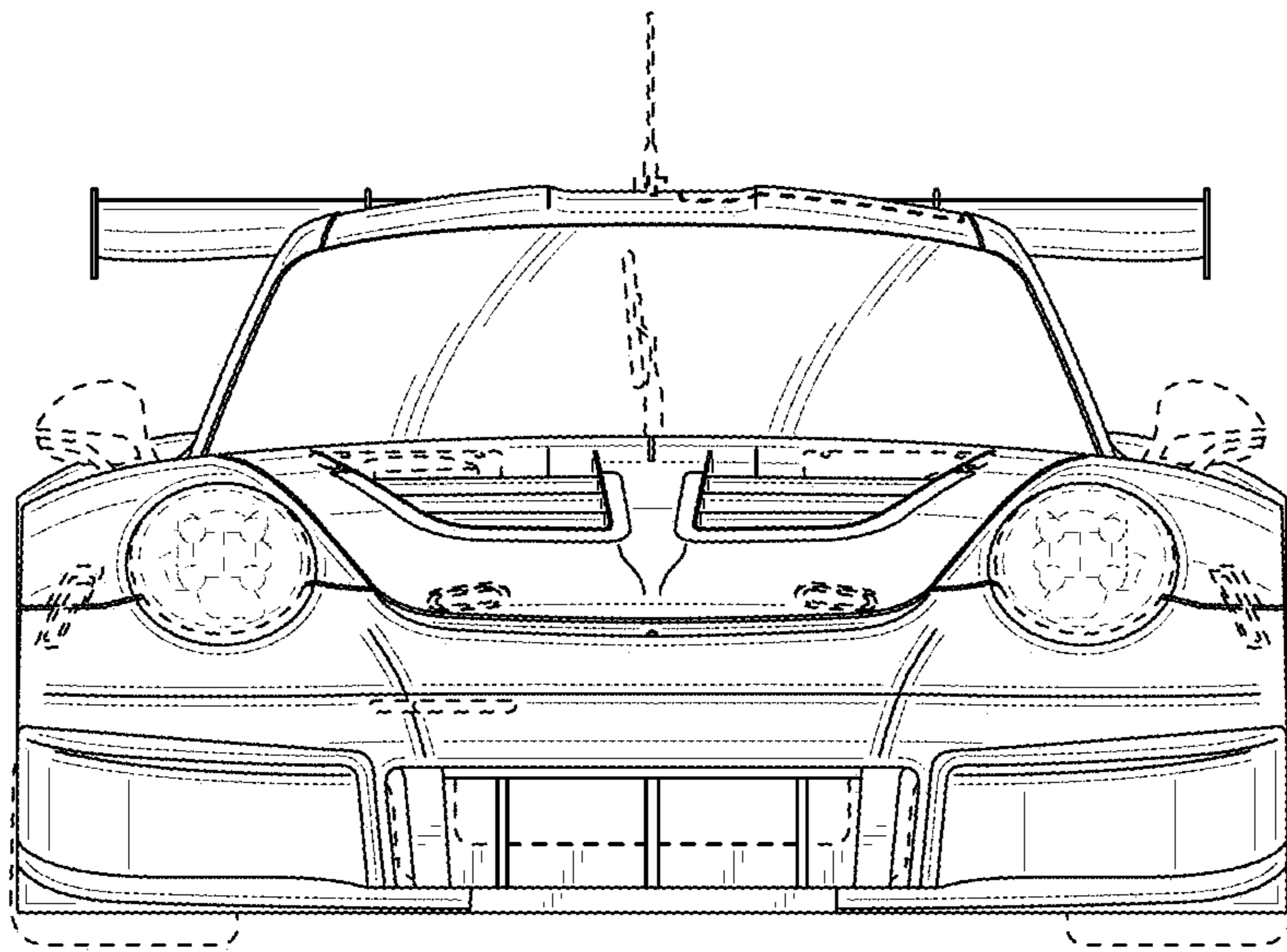


FIG. 1

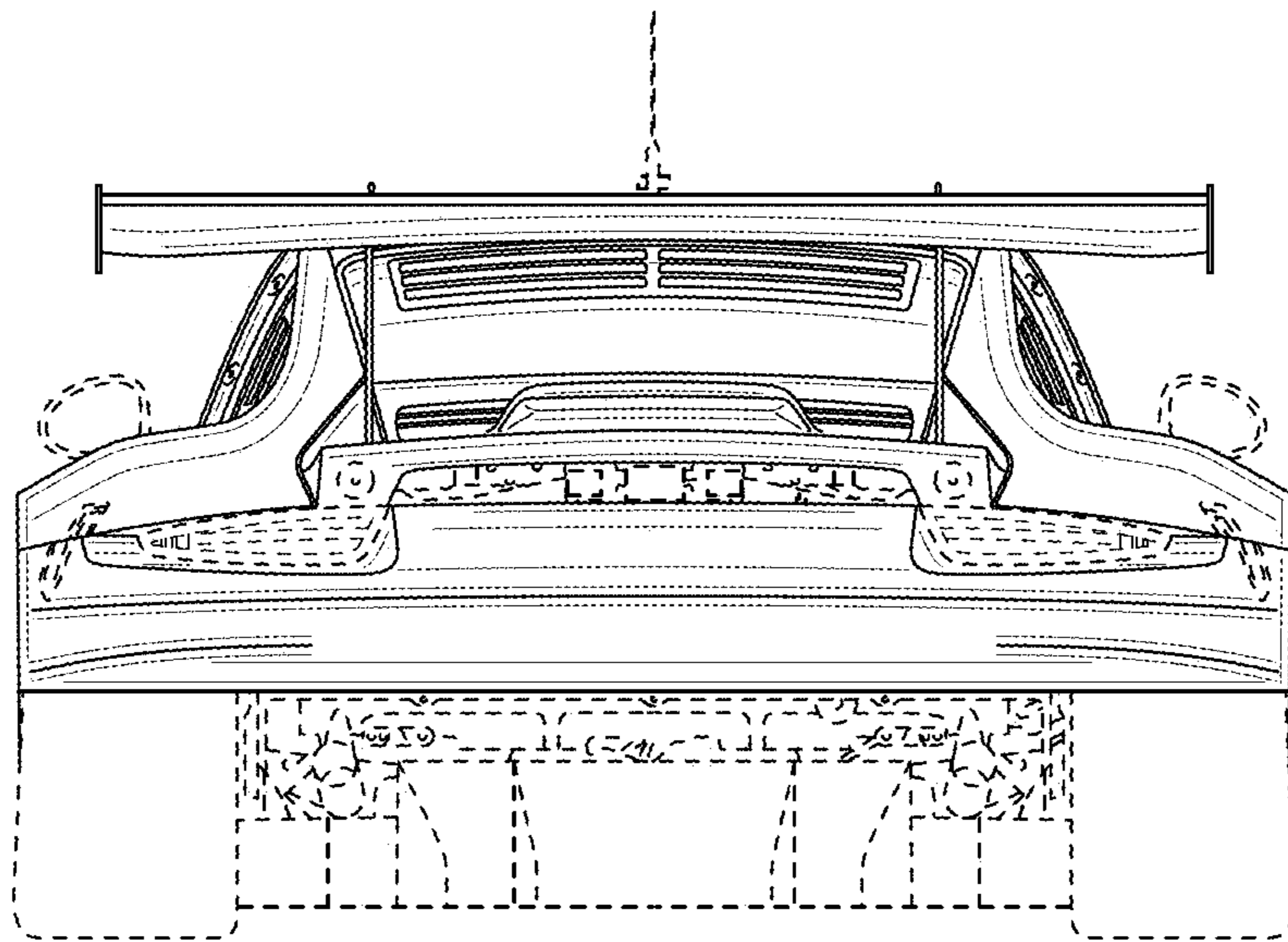


FIG. 2

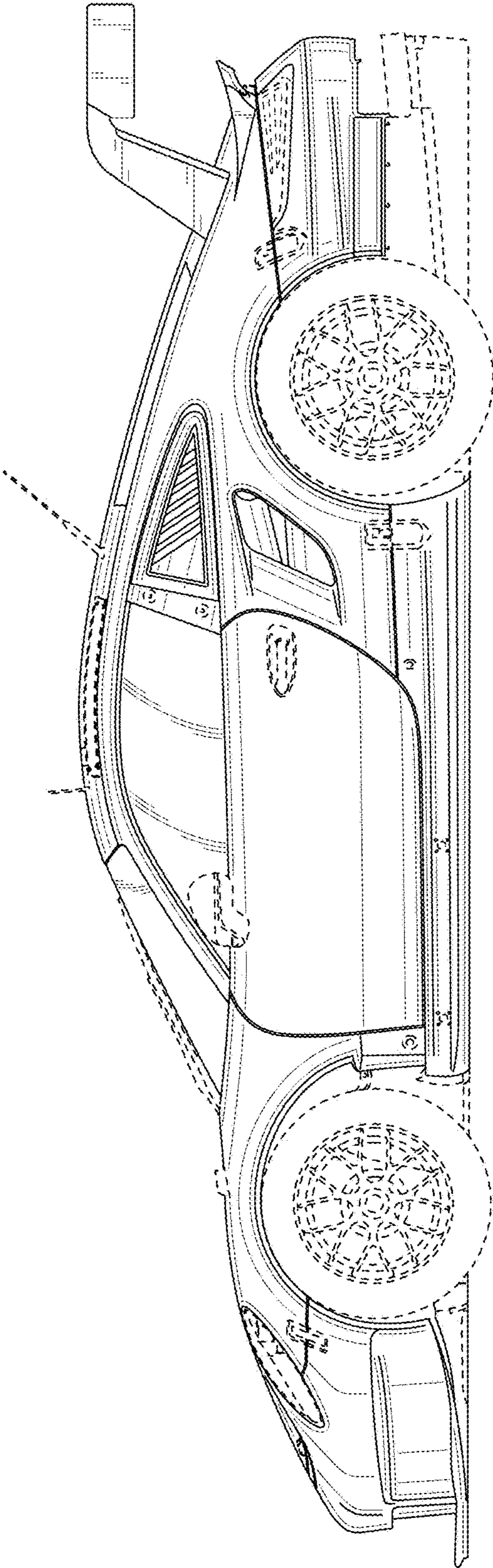


FIG. 3

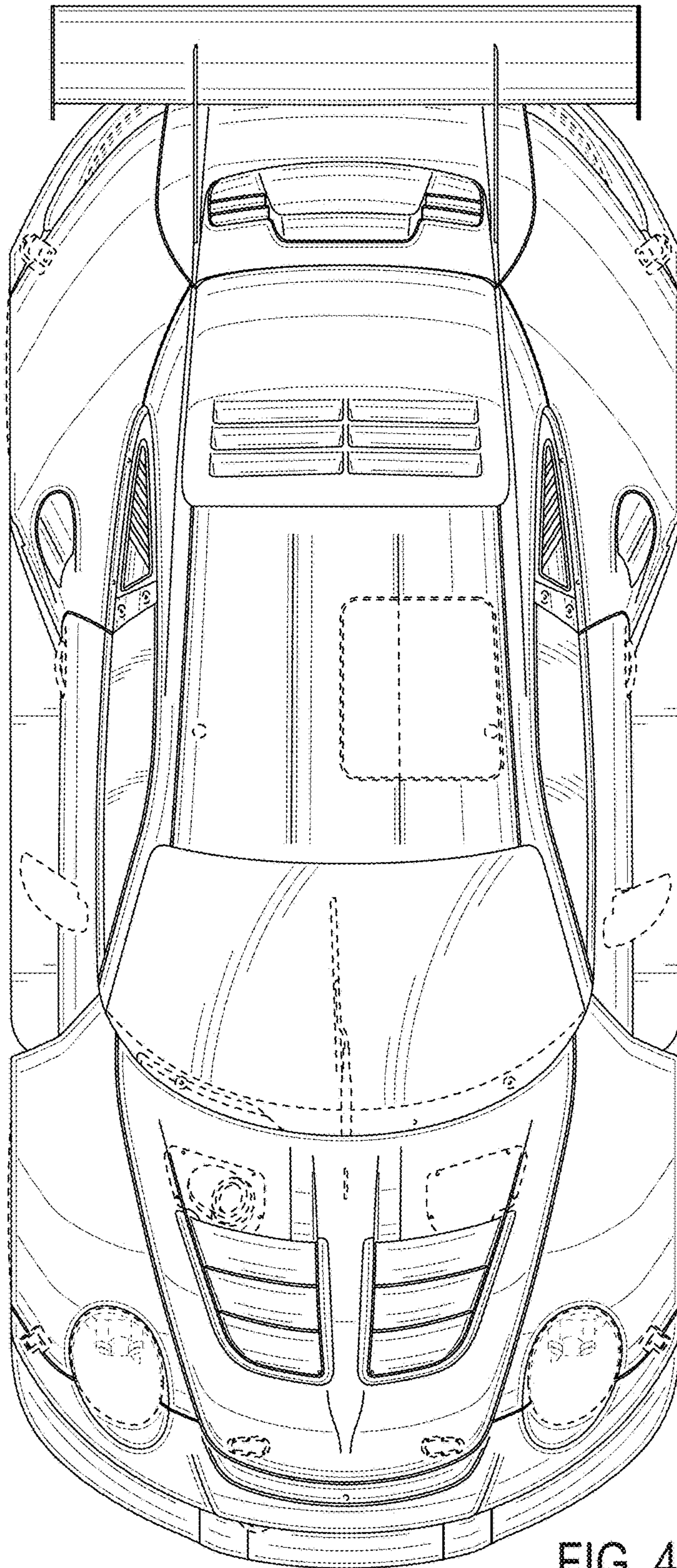


FIG. 4