



US00D808859S

(12) **United States Design Patent**
Wang et al.

(10) **Patent No.:** **US D808,859 S**
(45) **Date of Patent:** **** Jan. 30, 2018**

- (54) **SELF-BALANCED VEHICLE**
- (71) Applicant: **HANGZHOU LUNYU TECHNOLOGY CO., LTD.**, Hangzhou (CN)
- (72) Inventors: **Dehui Wang**, Hangzhou (CN); **Kaifeng Li**, Hangzhou (CN)
- (73) Assignee: **Hangzhou Lunyu Technology Co., Ltd.**, Hangzhou, Zhejiang Province (CN)

D784,196 S *	4/2017	Ying	D12/1
D784,198 S *	4/2017	Zhu	D12/1
D785,114 S *	4/2017	Ying	D21/760
D785,736 S *	5/2017	Ying	D21/760
D786,994 S *	5/2017	Chen	D21/760
2016/0129963 A1 *	5/2016	Ying	B62D 51/001 180/6.5
2017/0088211 A1 *	3/2017	Jiang	B62K 3/007
2017/0088212 A1 *	3/2017	Edney	B60W 40/13
2017/0101129 A1 *	4/2017	Ying	B62D 11/003
2017/0106931 A1 *	4/2017	Wood	B62K 11/007
2017/0158275 A1 *	6/2017	Yang	B62K 3/007
2017/0217489 A1 *	8/2017	Ying	B62D 11/003
2017/0217529 A1 *	8/2017	Chen	B62K 11/007

(**) Term: **15 Years**

* cited by examiner

(21) Appl. No.: **29/595,729**

Primary Examiner — T. Chase Nelson

(22) Filed: **Mar. 1, 2017**

Assistant Examiner — Ania Aman

(51) **LOC (11) Cl.** **12-14**

(74) *Attorney, Agent, or Firm* — Liang Legal Group, PLLC

(52) **U.S. Cl.**
USPC **D12/1**

(58) **Field of Classification Search**
USPC D12/1, 5; D21/419, 421, 423, 426, 662, D21/760, 765, 766, 769, 771, 776, 803
CPC B62K 3/007; B62K 17/00; B62K 2202/00; B62K 11/007; B62D 51/001; B62D 51/02; B62D 61/00; B62D 37/00; A63C 17/0033; A63C 17/01; A63C 17/016; A63C 2203/40; A63C 17/12; A63C 17/08; B60N 2/002; B60G 17/019
See application file for complete search history.

(57) **CLAIM**

The ornamental design for a self-balanced vehicle, as shown and described.

DESCRIPTION

FIG. 1 is a front side view of the design according to the invention. The back side view is the same as the front side view.

FIG. 2 is a top side view of the design according to the invention.

FIG. 3 is a bottom side view of the design according to the invention.

FIG. 4 is a right side view of the design according to the invention. The left side view is the same as the right side view; and,

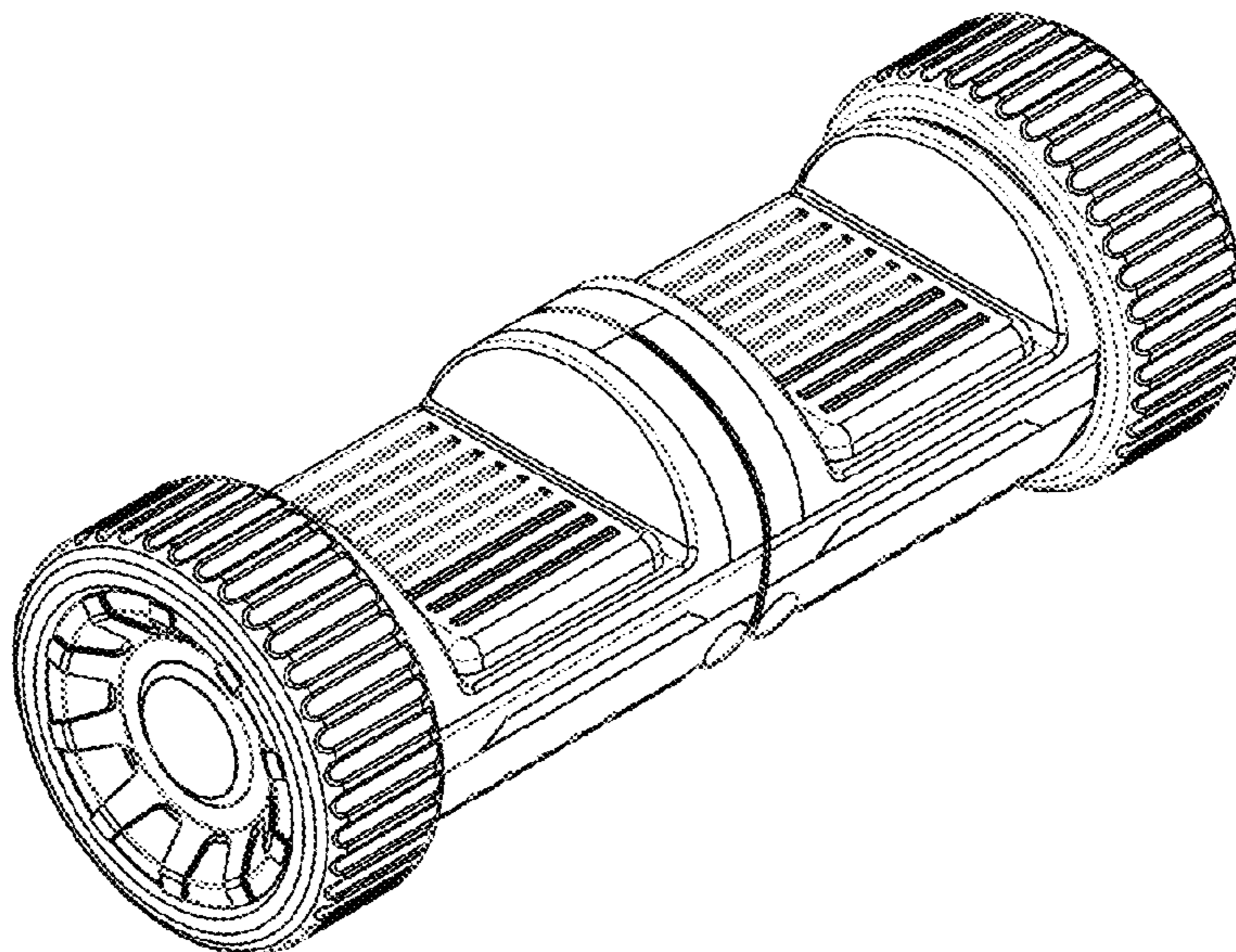
FIG. 5 is a perspective view of the design according to the invention.

(56) **References Cited**

U.S. PATENT DOCUMENTS

D778,782 S *	2/2017	Chen	D12/1
D779,375 S *	2/2017	Zeng	D12/1
D780,626 S *	3/2017	Li	D12/1
D783,751 S *	4/2017	Yao	D21/760
D784,195 S *	4/2017	Ying	D12/1

1 Claim, 3 Drawing Sheets



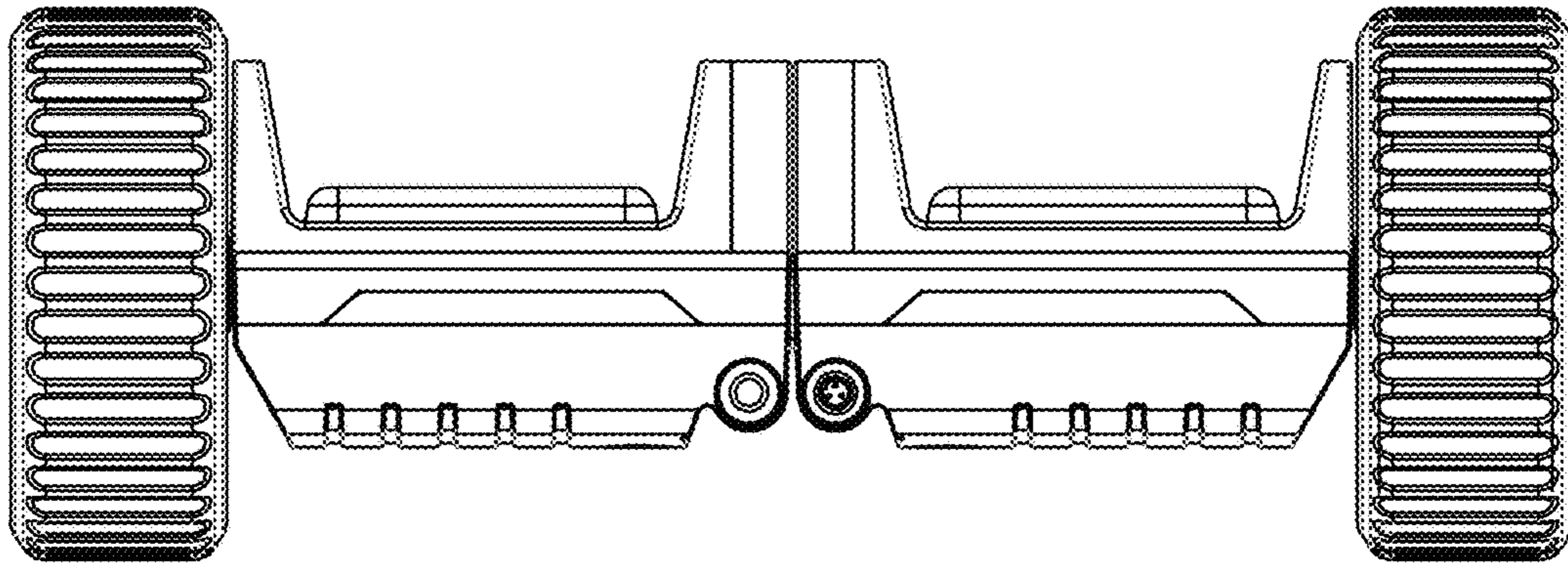


FIG. 1

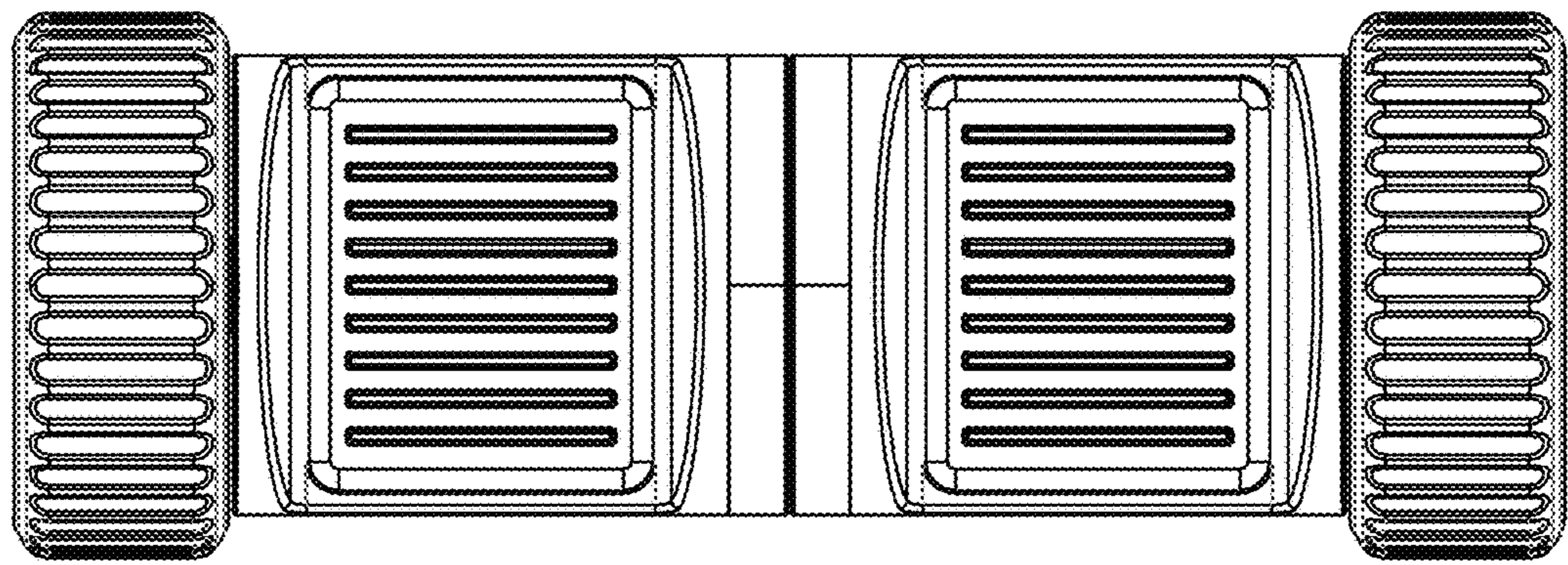


FIG. 2

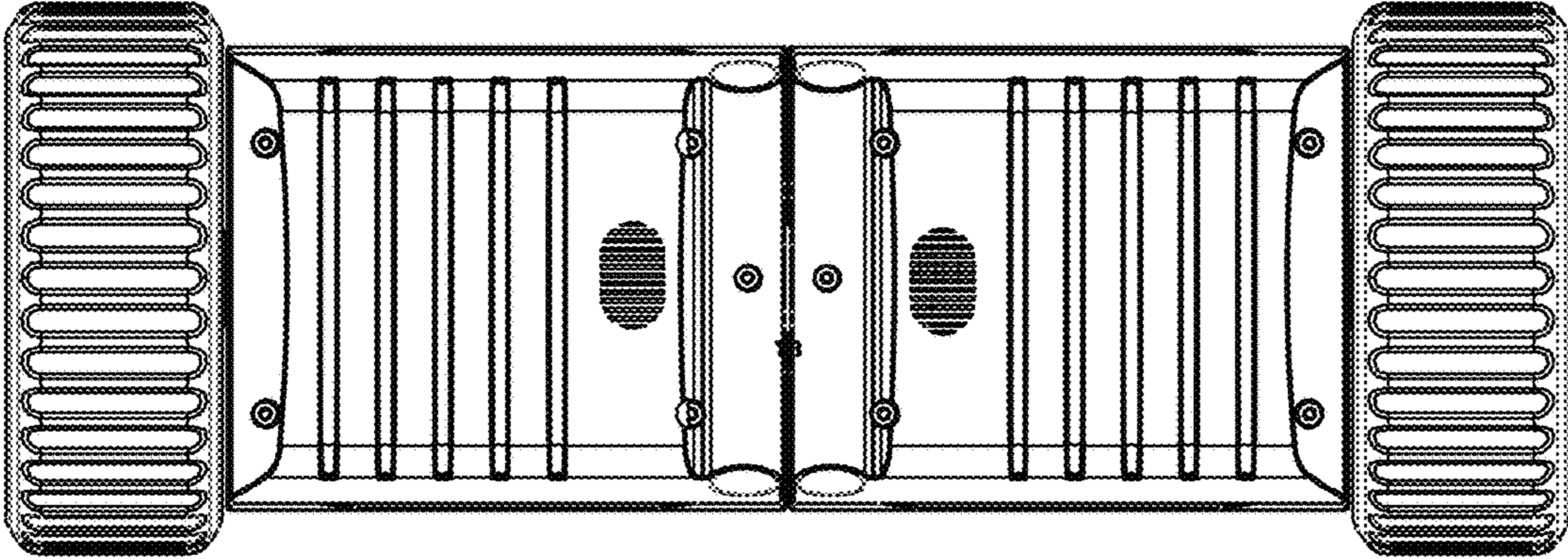


FIG. 3

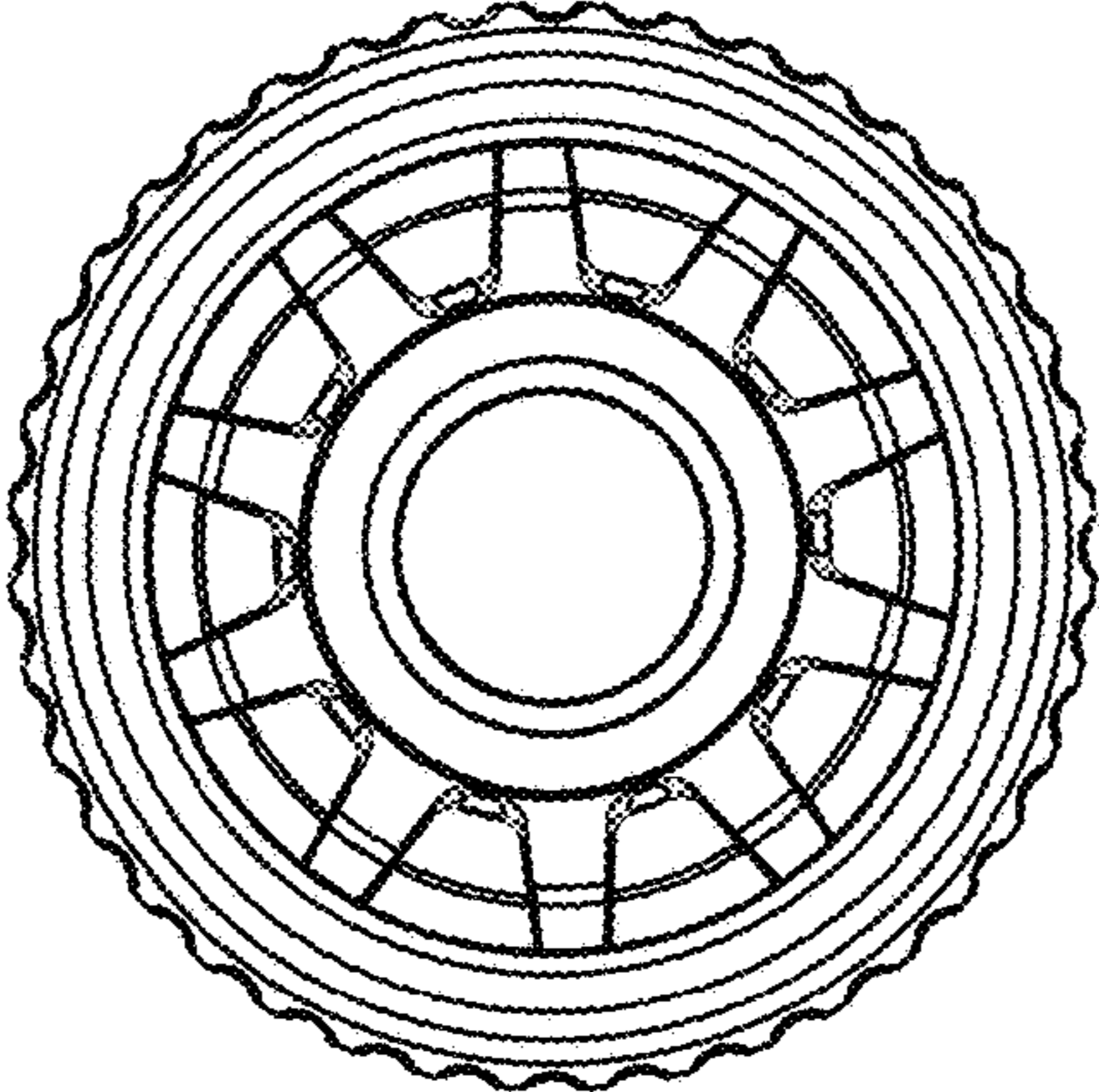


FIG. 4

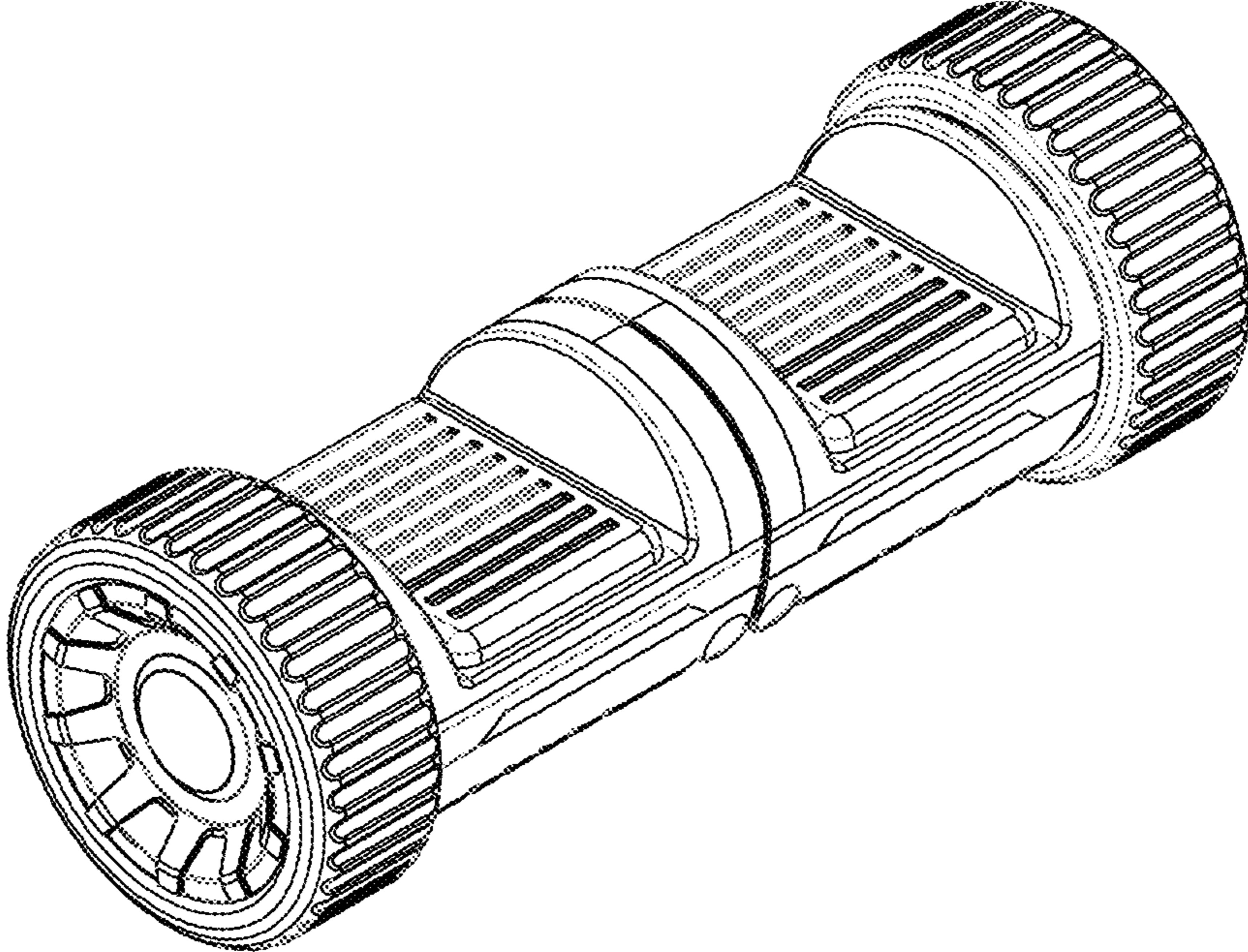


FIG. 5