



US00D808858S

(12) **United States Design Patent**  
**Wang et al.**

(10) **Patent No.:** **US D808,858 S**  
(45) **Date of Patent:** **\*\* Jan. 30, 2018**

- (54) **SELF-BALANCED VEHICLE**
- (71) Applicant: **HANGZHOU LUNYU TECHNOLOGY CO., LTD.**, Hangzhou (CN)
- (72) Inventors: **Dehui Wang**, Hangzhou (CN); **Kaifeng Li**, Hangzhou (CN)
- (73) Assignee: **Hangzhou Lunyu Technology Co., Ltd.**, Hangzhou, Zhejiang Province (CN)
- (\*\*) Term: **15 Years**

D784,196 S *	4/2017	Ying	.....	D12/1
D784,198 S *	4/2017	Zhu	.....	D12/1
D785,114 S *	4/2017	Ying	.....	D21/760
D785,736 S *	5/2017	Ying	.....	D21/760
D786,994 S *	5/2017	Chen	.....	D21/760
2016/0129963 A1 *	5/2016	Ying	.....	B62D 51/001 180/6.5
2017/0088211 A1 *	3/2017	Jiang	.....	B62K 3/007
2017/0088212 A1 *	3/2017	Edney	.....	B60W 40/13
2017/0101129 A1 *	4/2017	Ying	.....	B62D 11/003
2017/0106931 A1 *	4/2017	Wood	.....	B62K 11/007
2017/0158275 A1 *	6/2017	Yang	.....	B62K 3/007
2017/0217489 A1 *	8/2017	Ying	.....	B62D 11/003
2017/0217529 A1 *	8/2017	Chen	.....	B62K 11/007

\* cited by examiner

*Primary Examiner* — T. Chase Nelson  
*Assistant Examiner* — Ania Aman

(74) *Attorney, Agent, or Firm* — Liang Legal Group, PLLC

- (21) Appl. No.: **29/595,143**
- (22) Filed: **Feb. 24, 2017**
- (51) **LOC (11) Cl.** ..... **12-14**
- (52) **U.S. Cl.**  
USPC ..... **D12/1**
- (58) **Field of Classification Search**  
USPC ..... D12/1, 5; D21/419, 421, 423, 426, 662, D21/760, 765, 766, 769, 771, 776, 803  
CPC .... B62K 3/007; B62K 17/00; B62K 2202/00; B62K 11/007; B62D 51/001; B62D 51/02; B62D 61/00; B62D 37/00; A63C 17/0033; A63C 17/01; A63C 17/016; A63C 2203/40; A63C 17/12; A63C 17/08; B60N 2/002; B60G 17/019  
See application file for complete search history.

(57) **CLAIM**

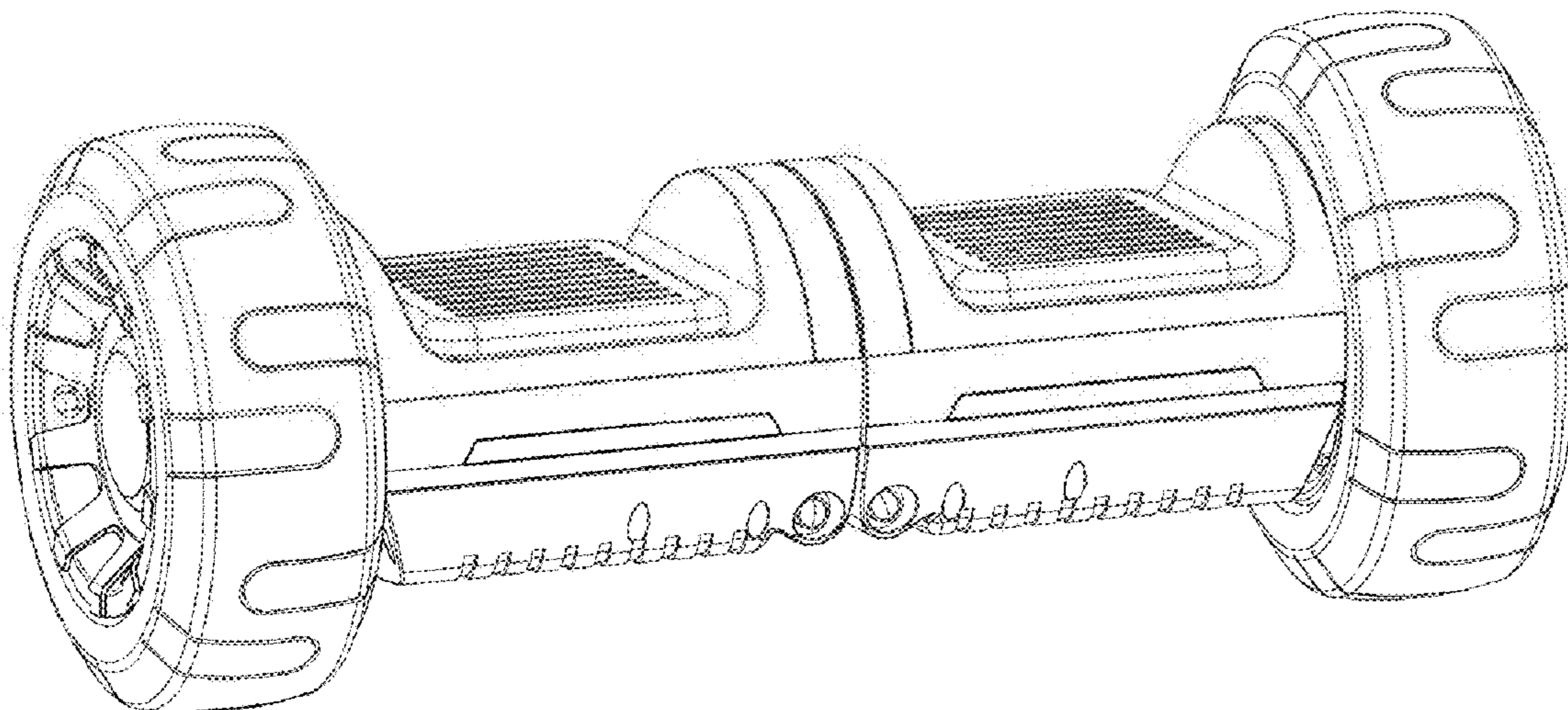
The ornamental design for a self-balanced vehicle, as shown and described.

**DESCRIPTION**

FIG. 1 is a front side view of the design according to the invention.  
 FIG. 2 is a back side view of the design according to the invention.  
 FIG. 3 is a left side view of the design according to the invention. The right side view is the same as the left side view.  
 FIG. 4 is a top side view of the design according to the invention.  
 FIG. 5 is a bottom side view of the design according to the invention; and,  
 FIG. 6 is a perspective view of the design according to the invention.

**1 Claim, 3 Drawing Sheets**

- (56) **References Cited**  
U.S. PATENT DOCUMENTS
- |              |        |      |       |         |
|--------------|--------|------|-------|---------|
| D778,782 S * | 2/2017 | Chen | ..... | D12/1   |
| D779,375 S * | 2/2017 | Zeng | ..... | D12/1   |
| D780,626 S * | 3/2017 | Li   | ..... | D12/1   |
| D783,751 S * | 4/2017 | Yao  | ..... | D21/760 |
| D784,195 S * | 4/2017 | Ying | ..... | D12/1   |



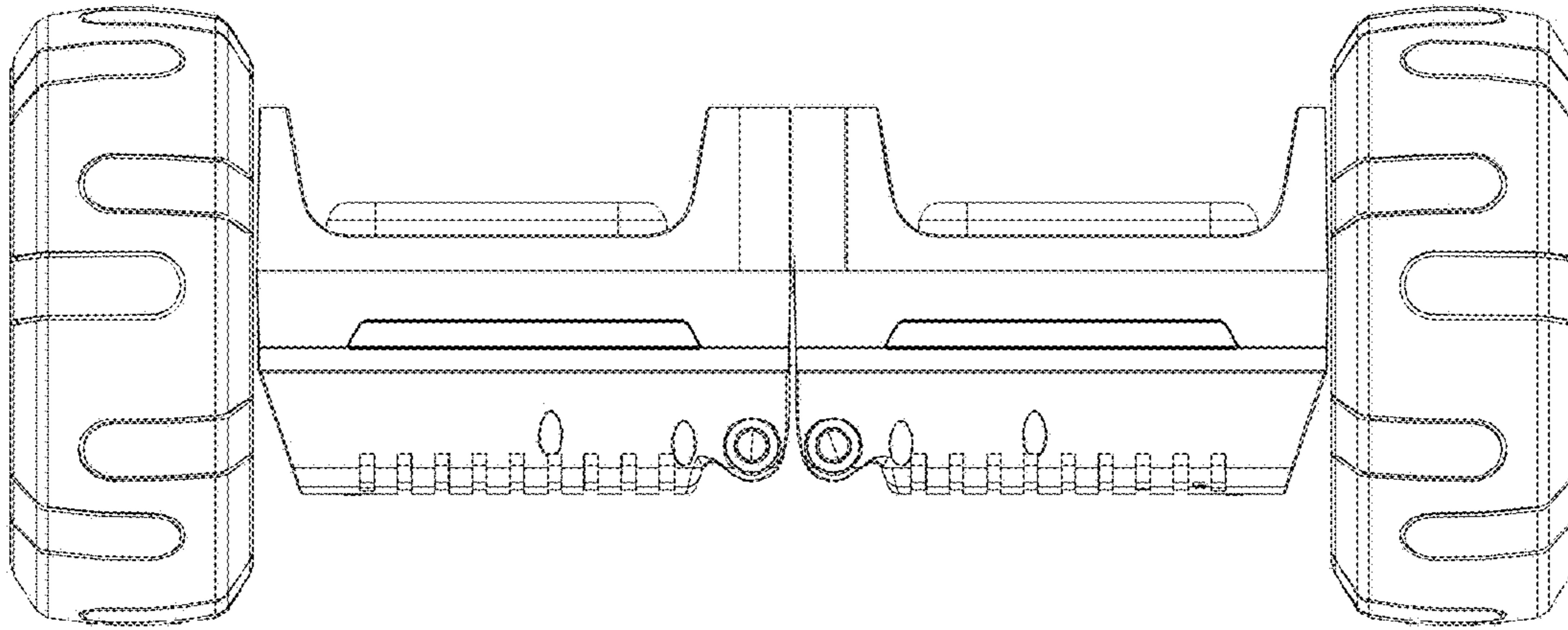


FIG. 1

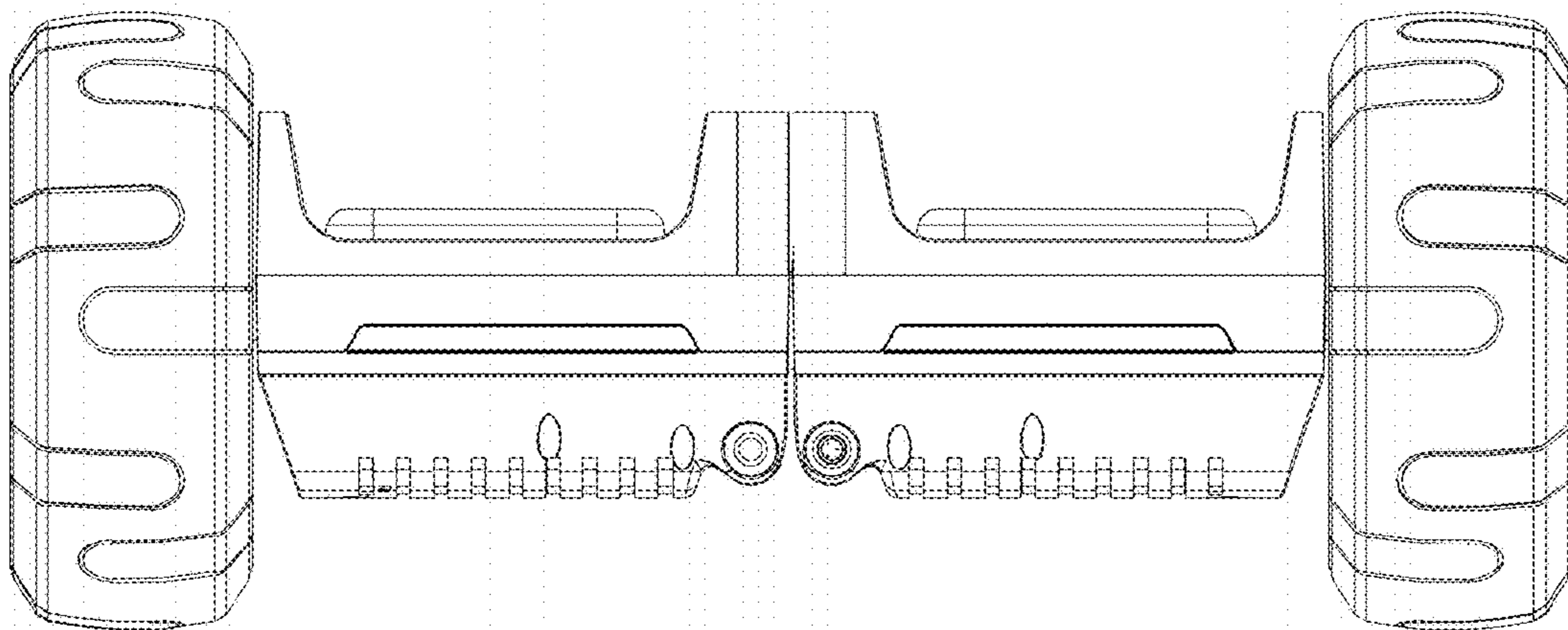


FIG. 2

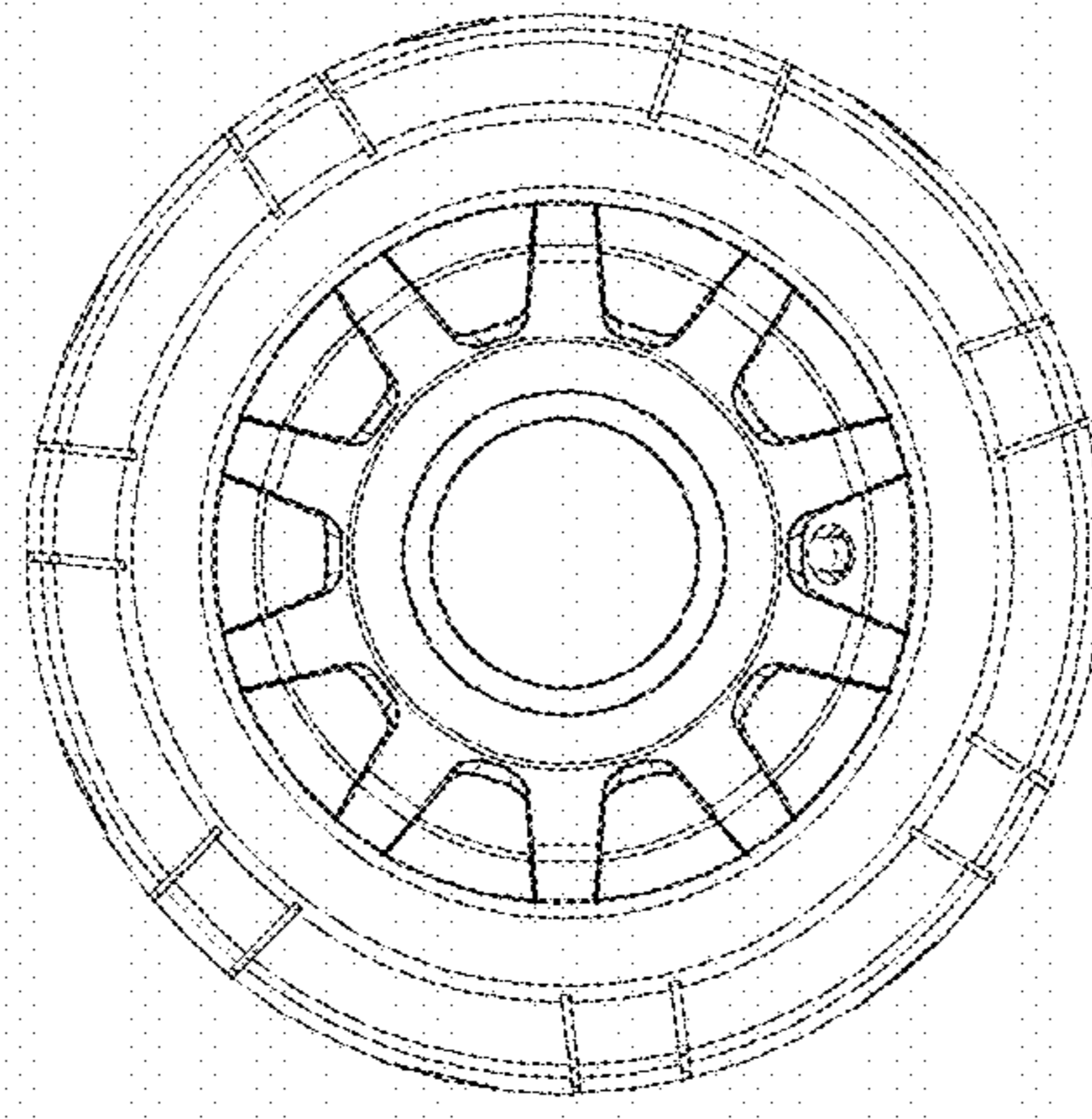


FIG. 3

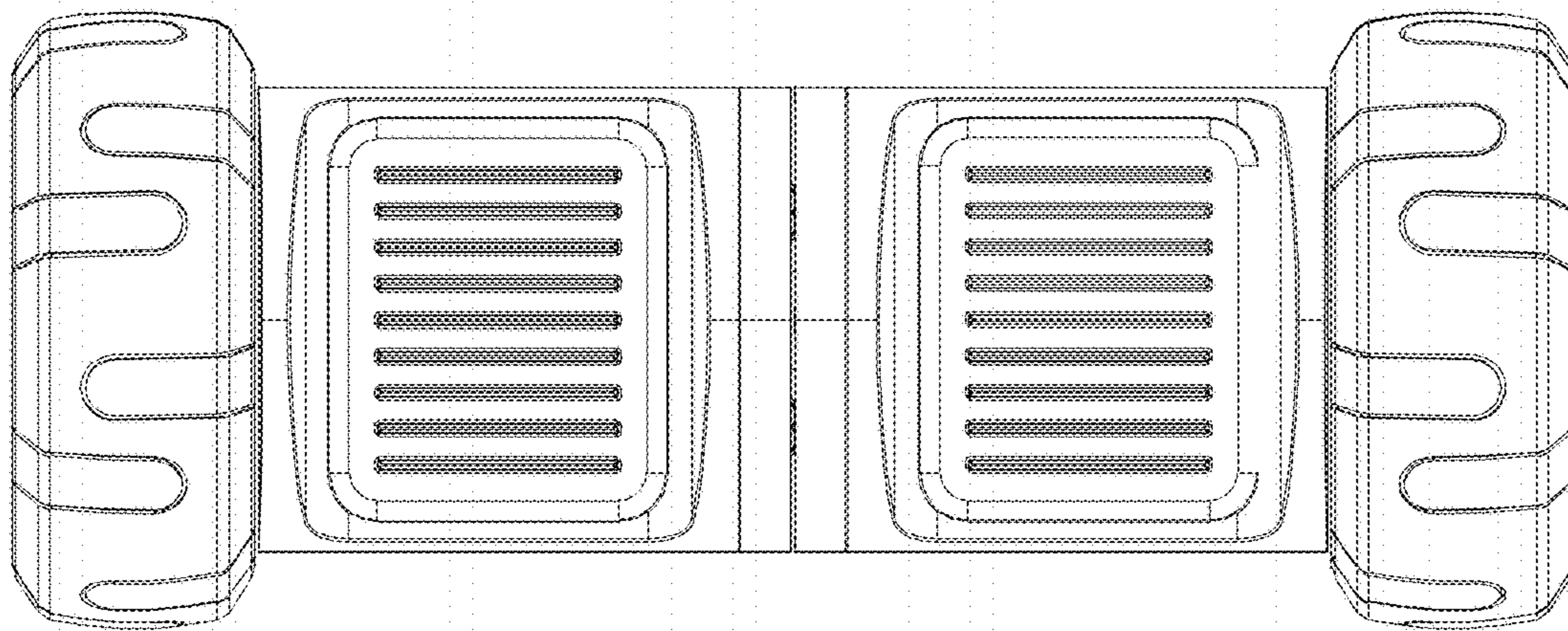


FIG. 4

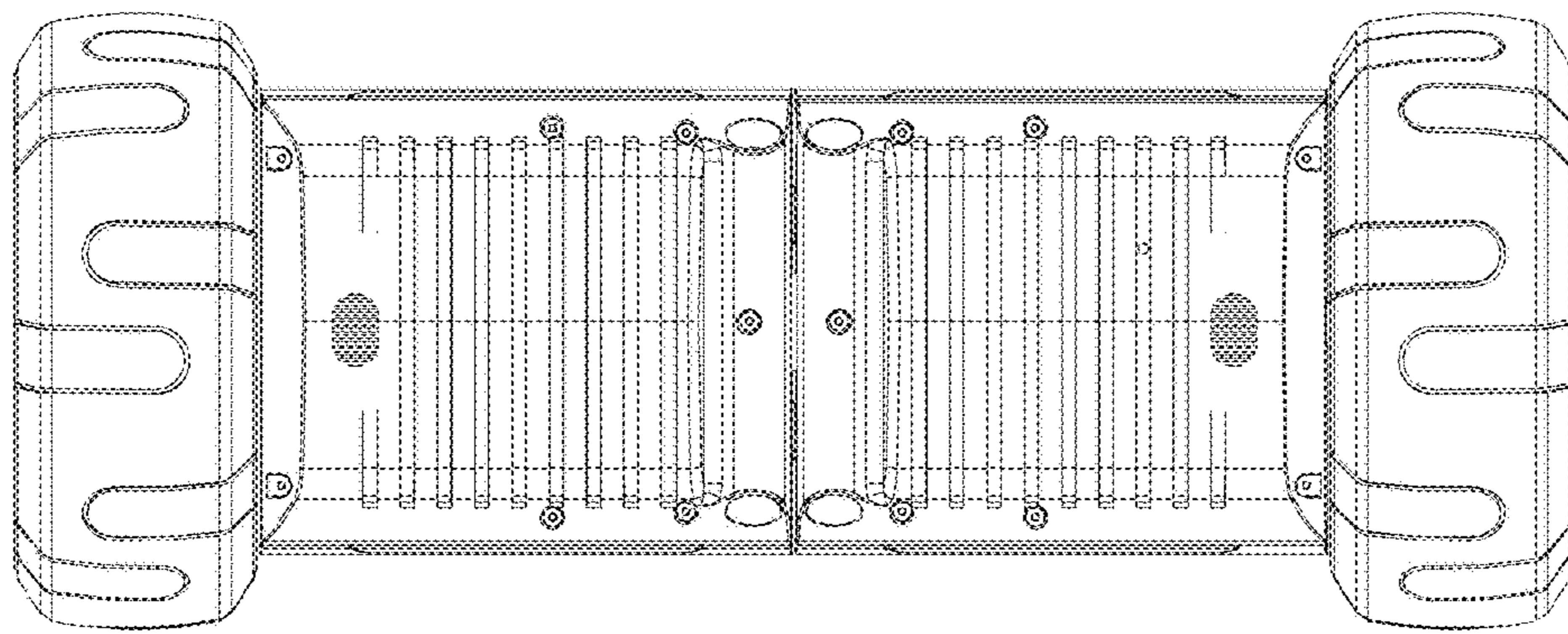


FIG. 5

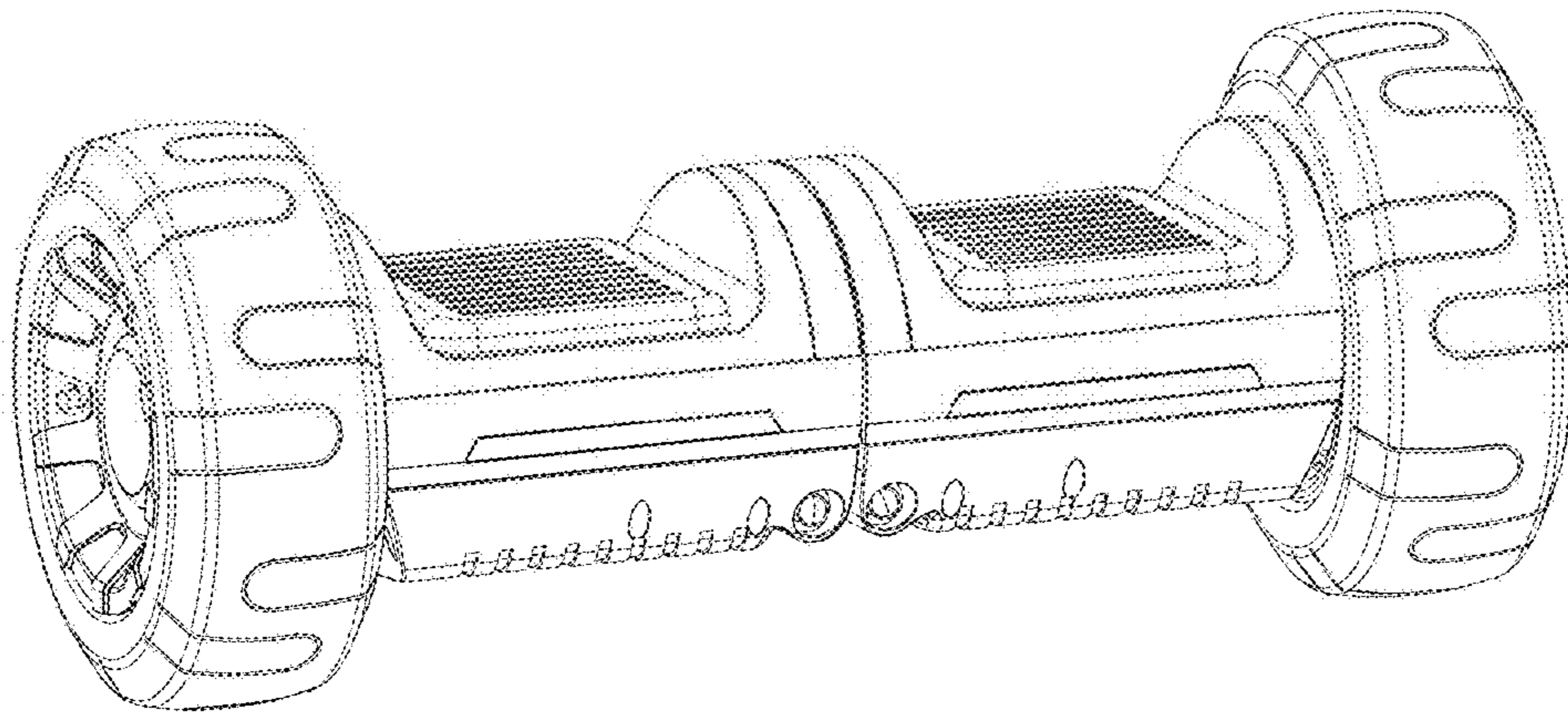


FIG. 6